



US00D762937S

(12) **United States Design Patent**  
**Leban et al.**

(10) **Patent No.:** **US D762,937 S**

(45) **Date of Patent:** **\*\* Aug. 2, 2016**

(54) **KEG HANDLING DEVICE**

(71) Applicant: **KegBull LLC**, St. Petersburg, FL (US)

(72) Inventors: **Jean Leban**, Lutz, FL (US); **Alex Vazquez**, St. Petersburg, FL (US)

(73) Assignee: **KegBull LLC**, St. Petersburg, FL (US)

(\*\*) Term: **15 Years**

(21) Appl. No.: **29/534,789**

(22) Filed: **Jul. 31, 2015**

(51) **LOC (10) Cl.** ..... **12-02**

(52) **U.S. Cl.**  
USPC ..... **D34/27**

(58) **Field of Classification Search**  
USPC ..... D34/12-27; 414/427, 539, 540, 454;  
280/79.5, 47.26, 47.27, 79.6, 79.7,  
280/655, 47.24, 47.28, 47.19, 47.23  
CPC .... B62B 5/0438; B62B 5/06; B62B 2203/70;  
B62B 1/264; B62B 2202/406  
See application file for complete search history.

(56) **References Cited**

**U.S. PATENT DOCUMENTS**

773,027	A	10/1904	Peck et al.	
2,181,438	A	11/1939	Peet	
D340,787	S *	10/1993	Laursen	D34/15
D340,788	S *	10/1993	Lowenstein	D34/24
5,277,439	A	1/1994	Pipes et al.	
D356,410	S *	3/1995	Cole	D34/15
D412,382	S *	7/1999	Safranyos	D34/15
D460,849	S *	7/2002	Vong	D34/15
D463,649	S *	9/2002	Halstead	D34/24
D502,304	S *	2/2005	Leach	D34/24
D523,205	S *	6/2006	Burks	D34/24

D642,351	S *	7/2011	Bozzo	D34/24
2006/0071435	A1 *	4/2006	Zwack	B62B 1/264 280/47.27
2009/0014979	A1	1/2009	Snook et al.	
2015/0001820	A1 *	1/2015	Cormier	B62B 1/264 280/47.26

\* cited by examiner

*Primary Examiner* — Cynthia Ramirez

*Assistant Examiner* — Gino Colan

(74) *Attorney, Agent, or Firm* — Larson & Larson, P.A.;  
Patrick A. Reid; Justin P. Miller

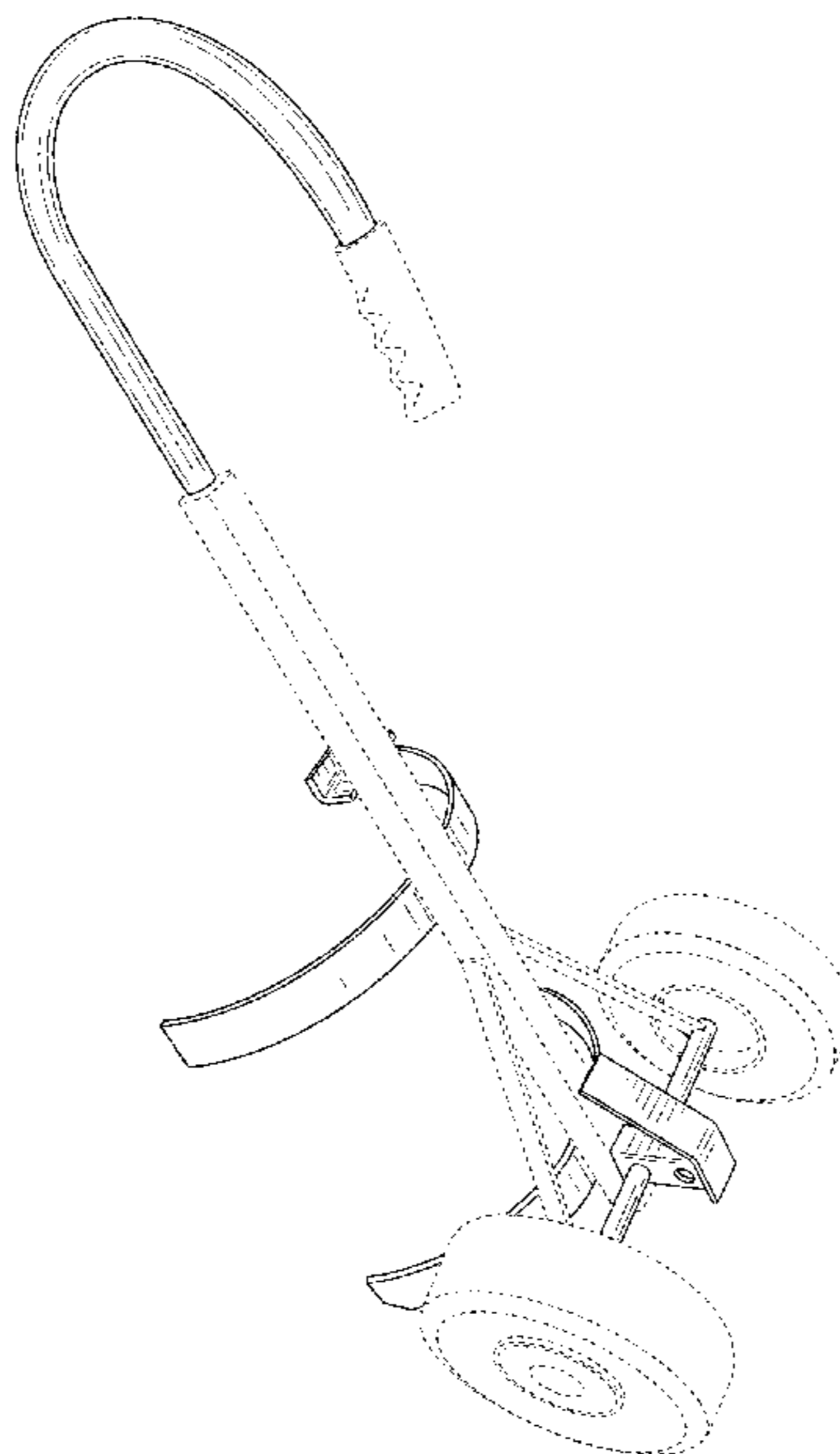
(57) **CLAIM**

The ornamental design for a keg handling device, as shown and described.

**DESCRIPTION**

FIG. 1 is an isometric view of a keg handling device in loading position showing our new design;  
FIG. 2 is a front view thereof in loading position;  
FIG. 3 is a back view thereof in loading position;  
FIG. 4 is a right-side view thereof in loading position;  
FIG. 5 is a left-side view thereof in loading position;  
FIG. 6 is a back view thereof in carrying position;  
FIG. 7 is a front view thereof in carrying position; and,  
FIG. 8 is an isometric view thereof in carrying position.  
The broken lines showing two wheels, a handle, a large bar and two small bars in FIGS. 1 through 8 are included for the purpose of illustrating portions of the keg handling device and form no part of the claimed design.  
The broken line showing of a keg in FIG. 8 is included for the purpose of illustrating environment and forms no part of the claimed design.

**1 Claim, 8 Drawing Sheets**



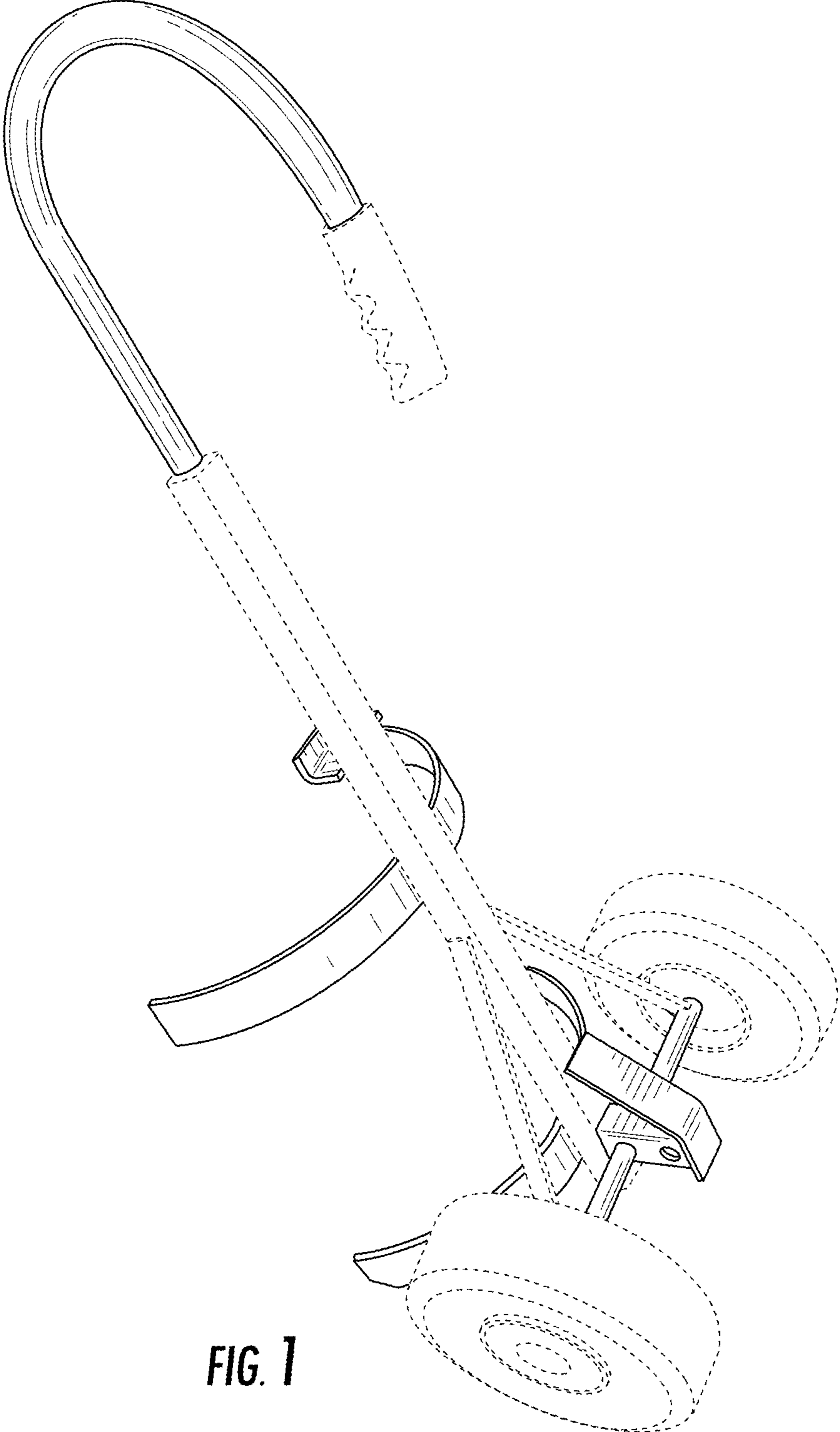


FIG. 1

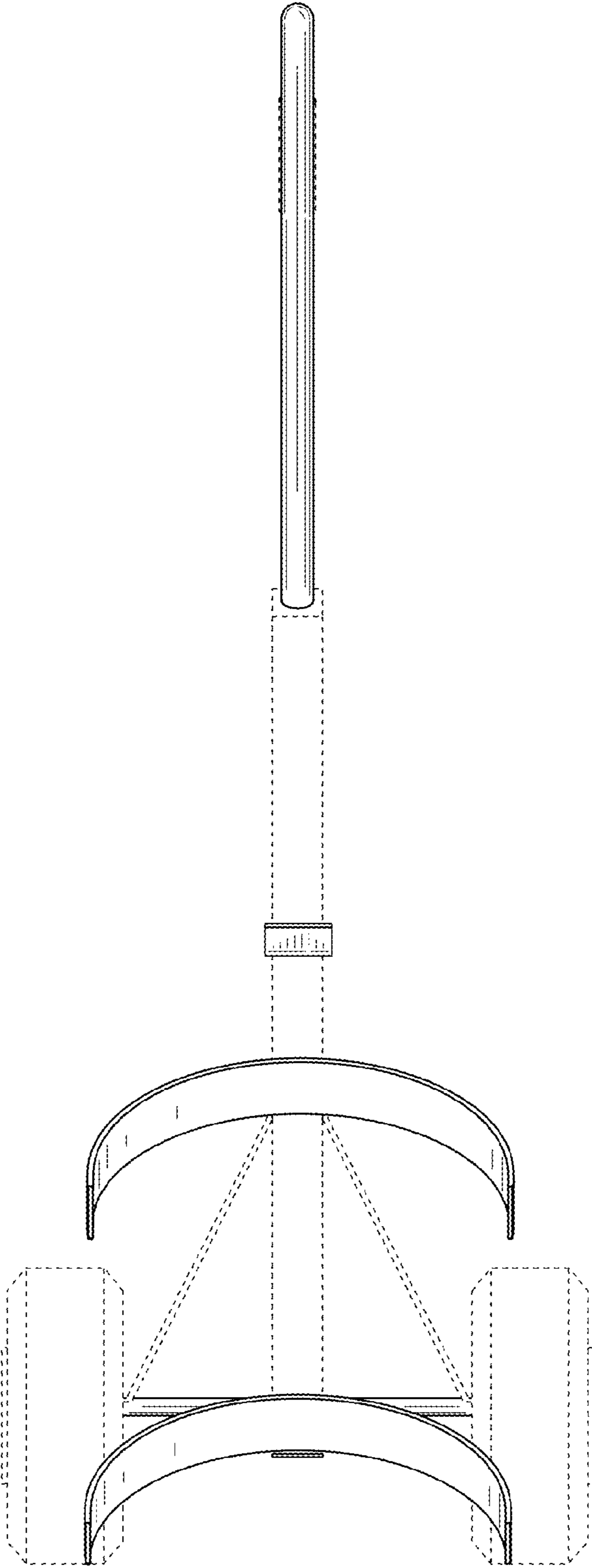
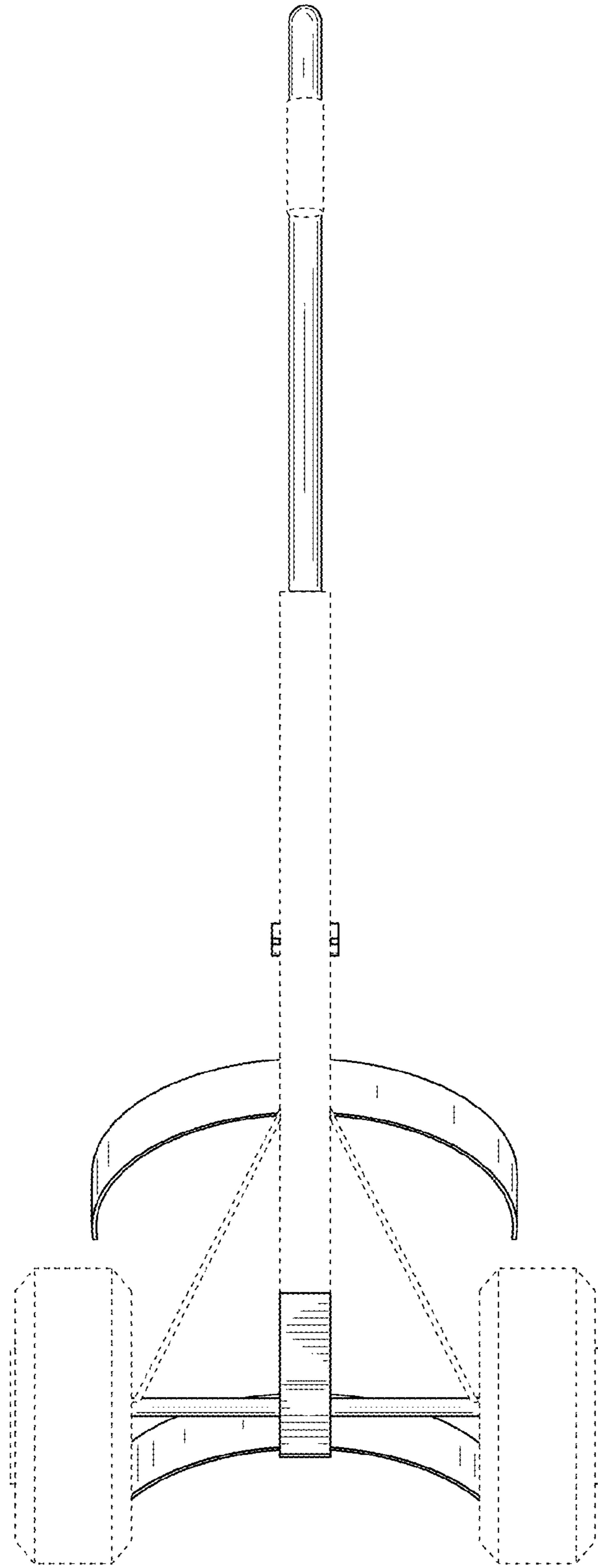


FIG. 2



**FIG. 3**

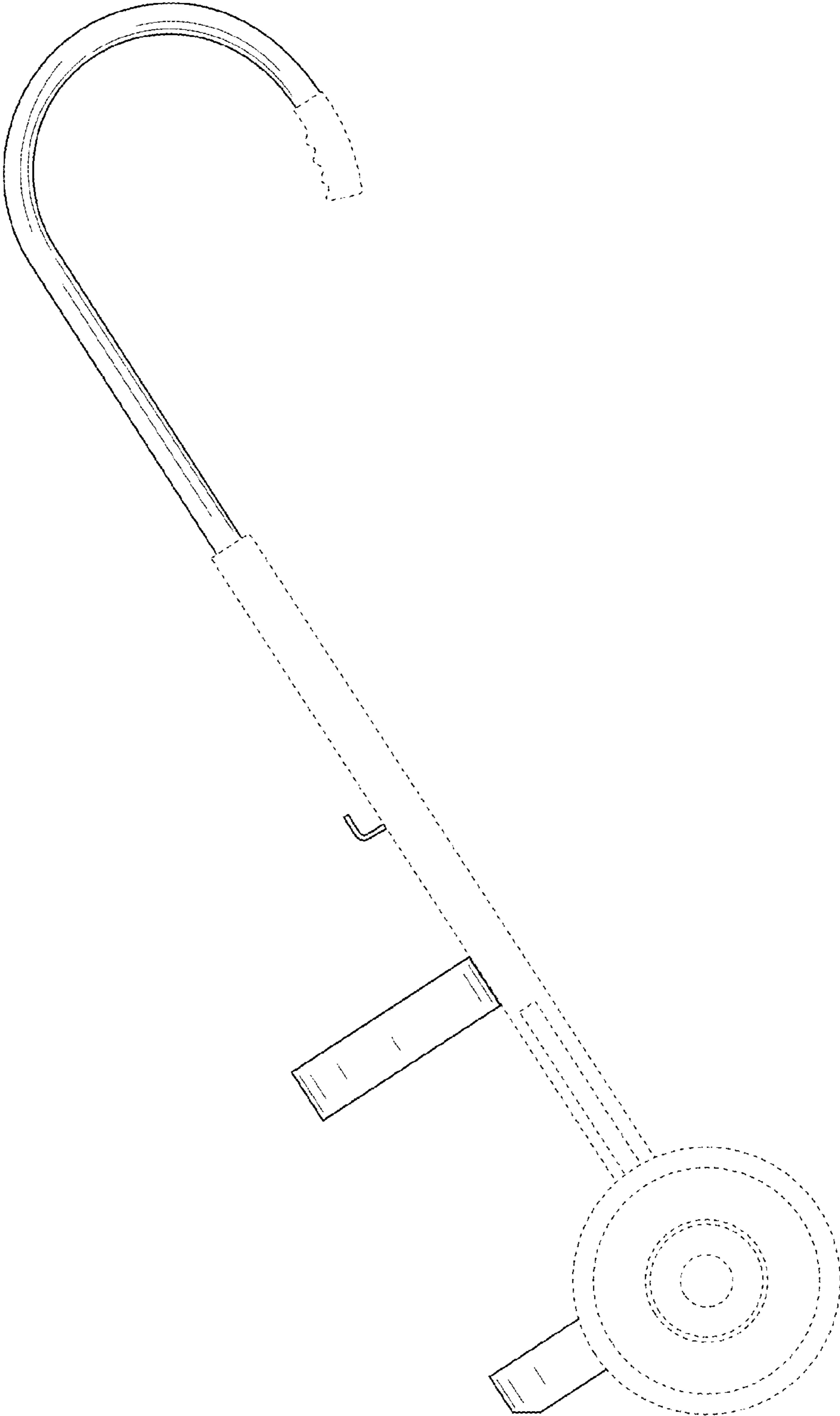


FIG. 4

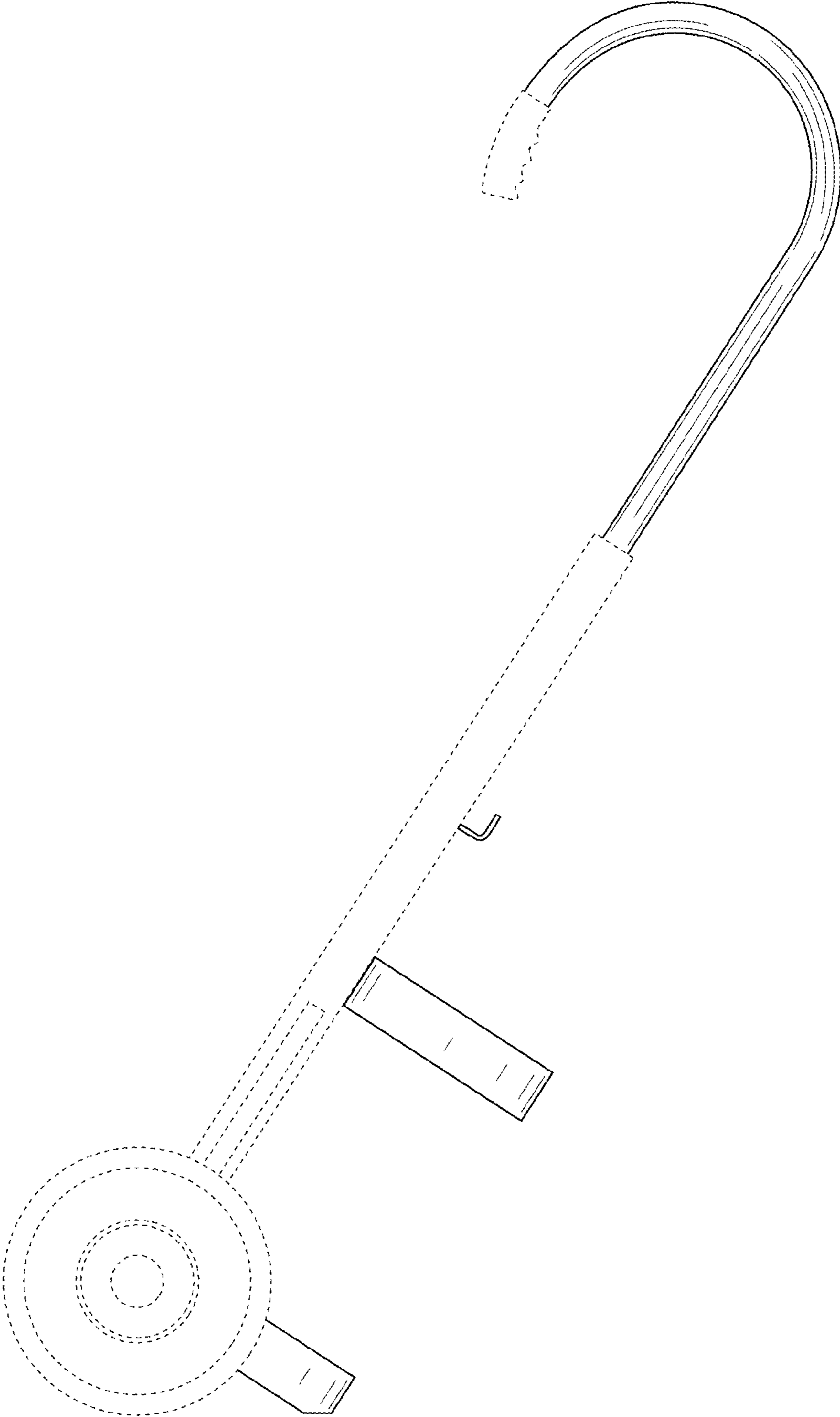
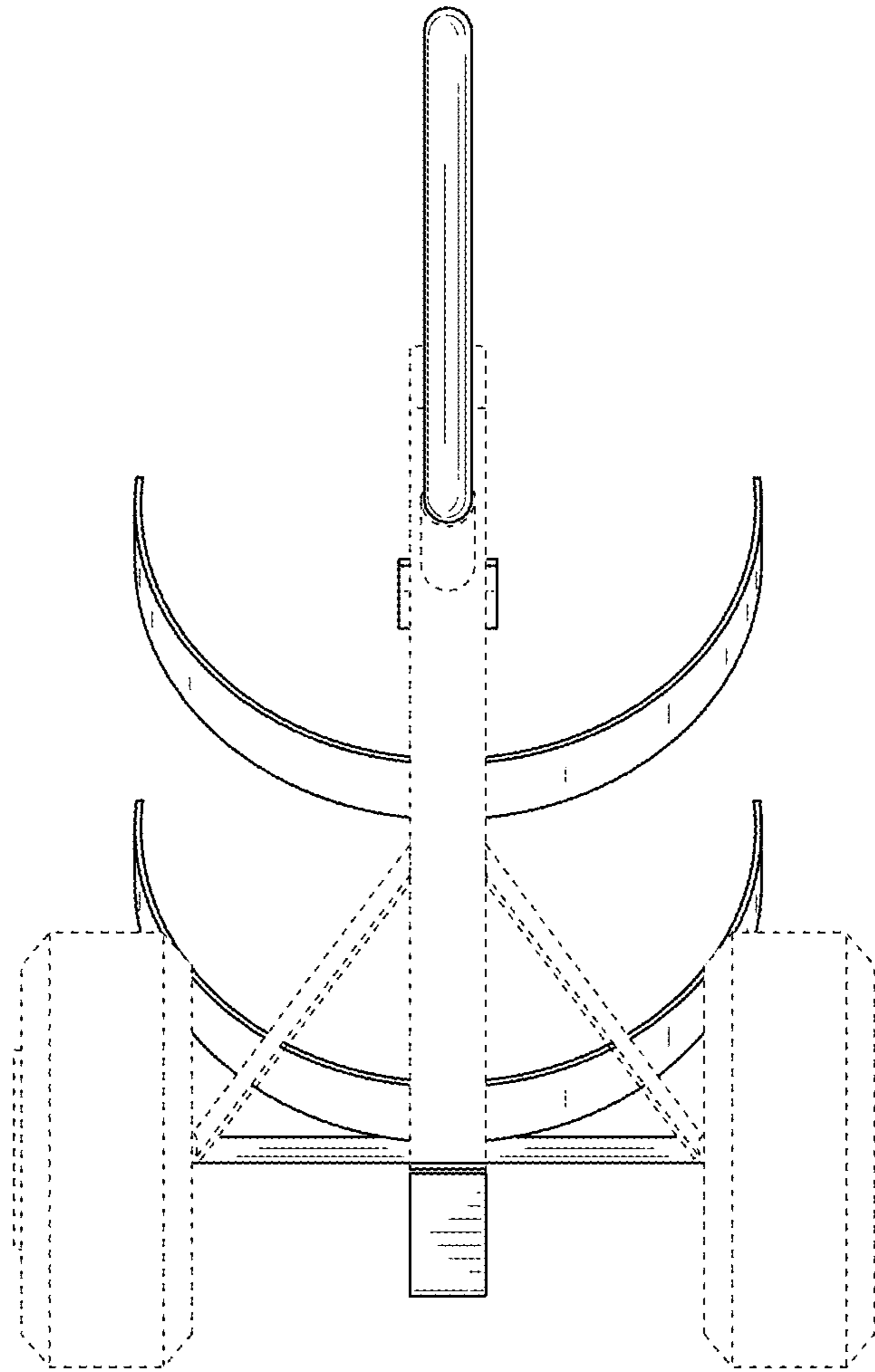
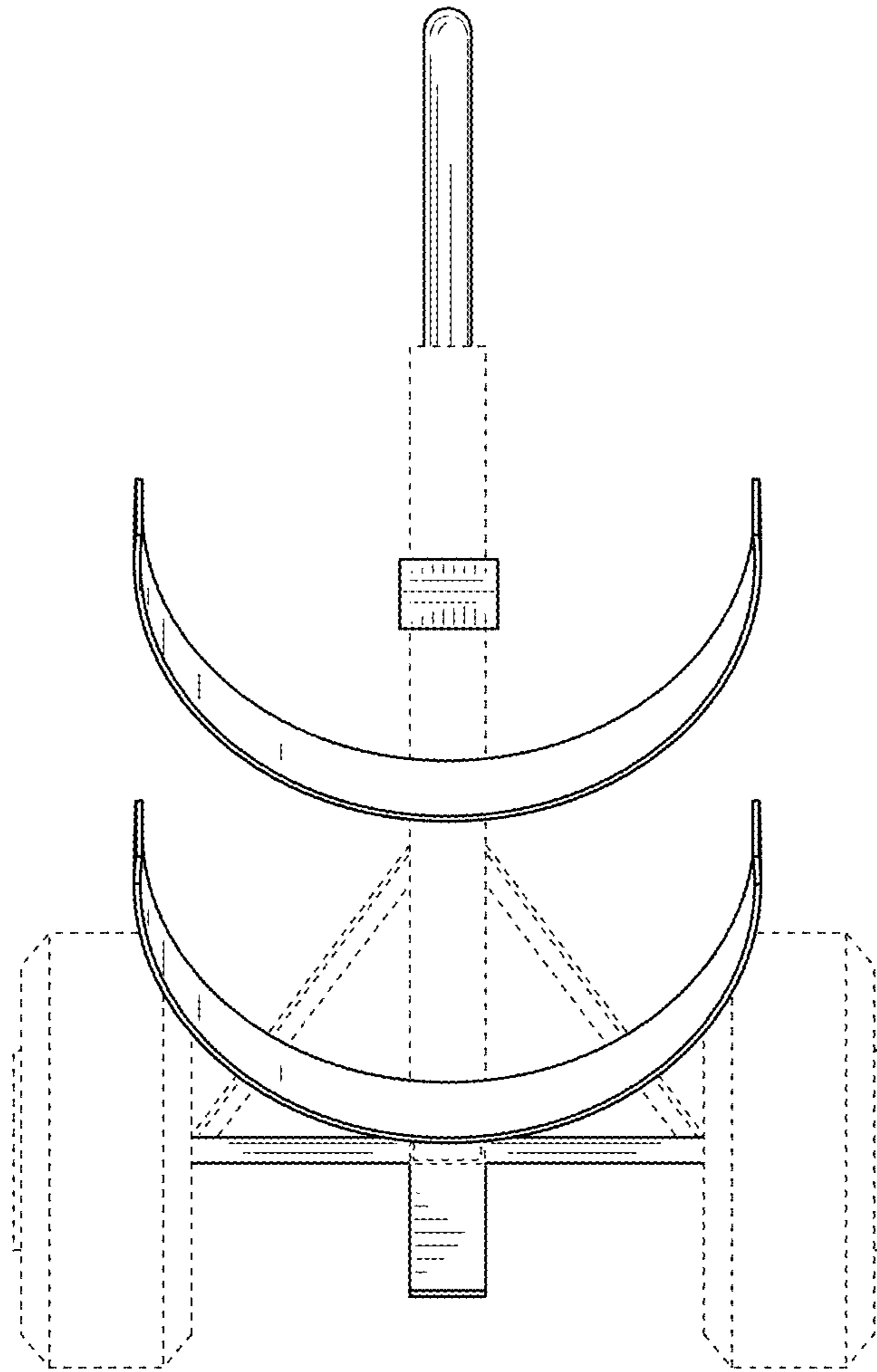


FIG. 5



**FIG. 6**





**FIG. 7**



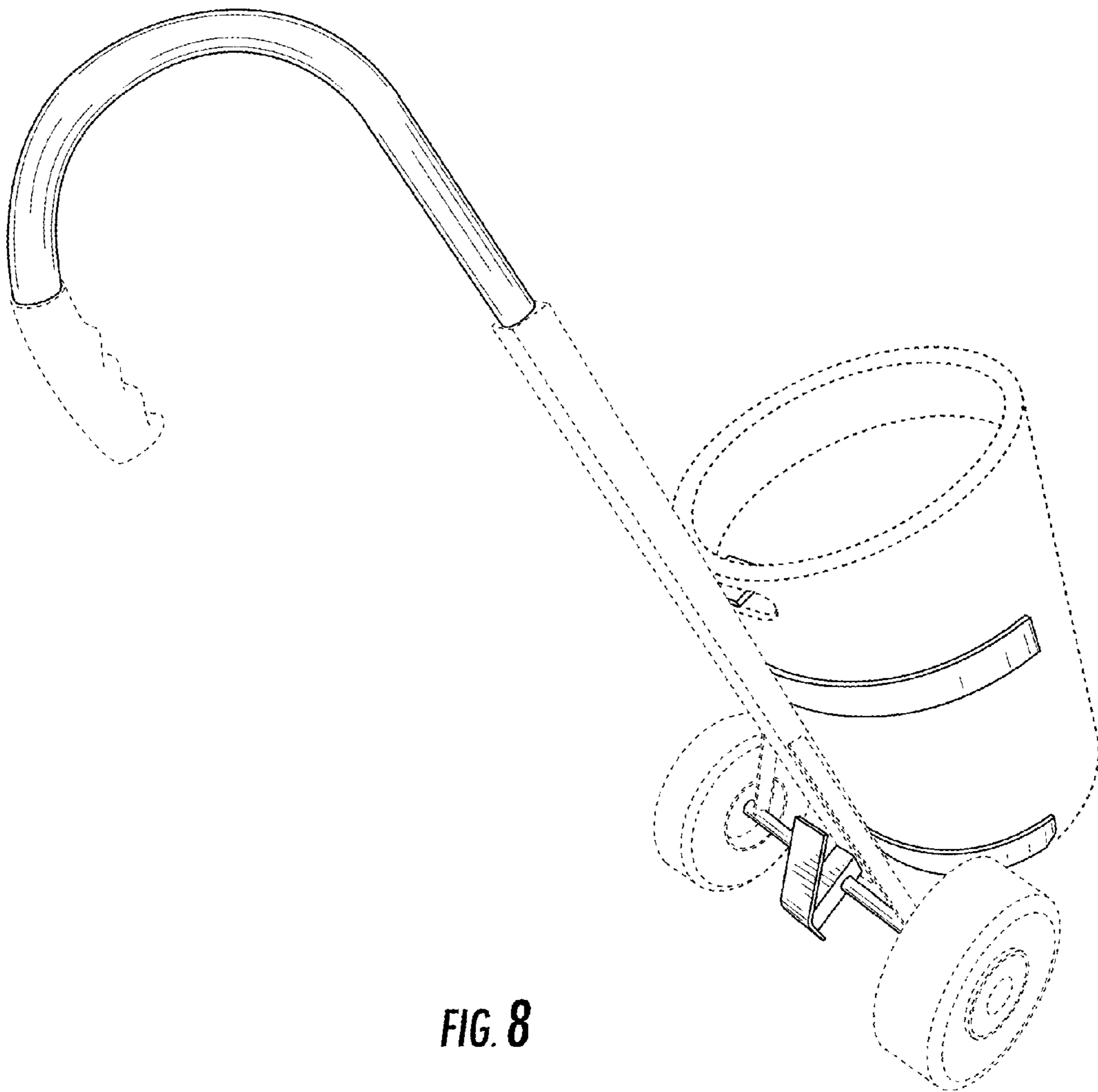


FIG. 8