

US00D762936S

(12) **United States Design Patent**  
**Tuncel**

(10) **Patent No.:** **US D762,936 S**

(45) **Date of Patent:** **\*\* Aug. 2, 2016**

(54) **WASTE RECEPTACLE**

(56) **References Cited**

(71) Applicant: **Levent Tuncel**, Marietta, GA (US)

U.S. PATENT DOCUMENTS

(72) Inventor: **Levent Tuncel**, Marietta, GA (US)

|            |   |         |          |       |       |
|------------|---|---------|----------|-------|-------|
| D351,697 S | * | 10/1994 | Blotnick | ..... | D34/1 |
| D507,687 S | * | 7/2005  | Moon     | ..... | D34/1 |
| D551,414 S | * | 9/2007  | Weiss    | ..... | D34/1 |
| D555,862 S | * | 11/2007 | Weiss    | ..... | D34/1 |
| D561,966 S | * | 2/2008  | Skalka   | ..... | D34/1 |
| D644,391 S | * | 8/2011  | Kopp     | ..... | D34/7 |
| D734,583 S | * | 7/2015  | Gerard   | ..... | D34/1 |

(\*\*) Term: **14 Years**

\* cited by examiner

(21) Appl. No.: **29/524,506**

*Primary Examiner* — Cynthia Ramirez

(22) Filed: **Apr. 21, 2015**

(57) **CLAIM**

(51) **LOC (10) Cl.** ..... **09-09**

The ornamental design for a waste receptacle, as shown and described.

(52) **U.S. Cl.**

**DESCRIPTION**

USPC ..... **D34/8; D34/7**

(58) **Field of Classification Search**

USPC ..... D34/1-11; 220/908, 908.1, 909, 911

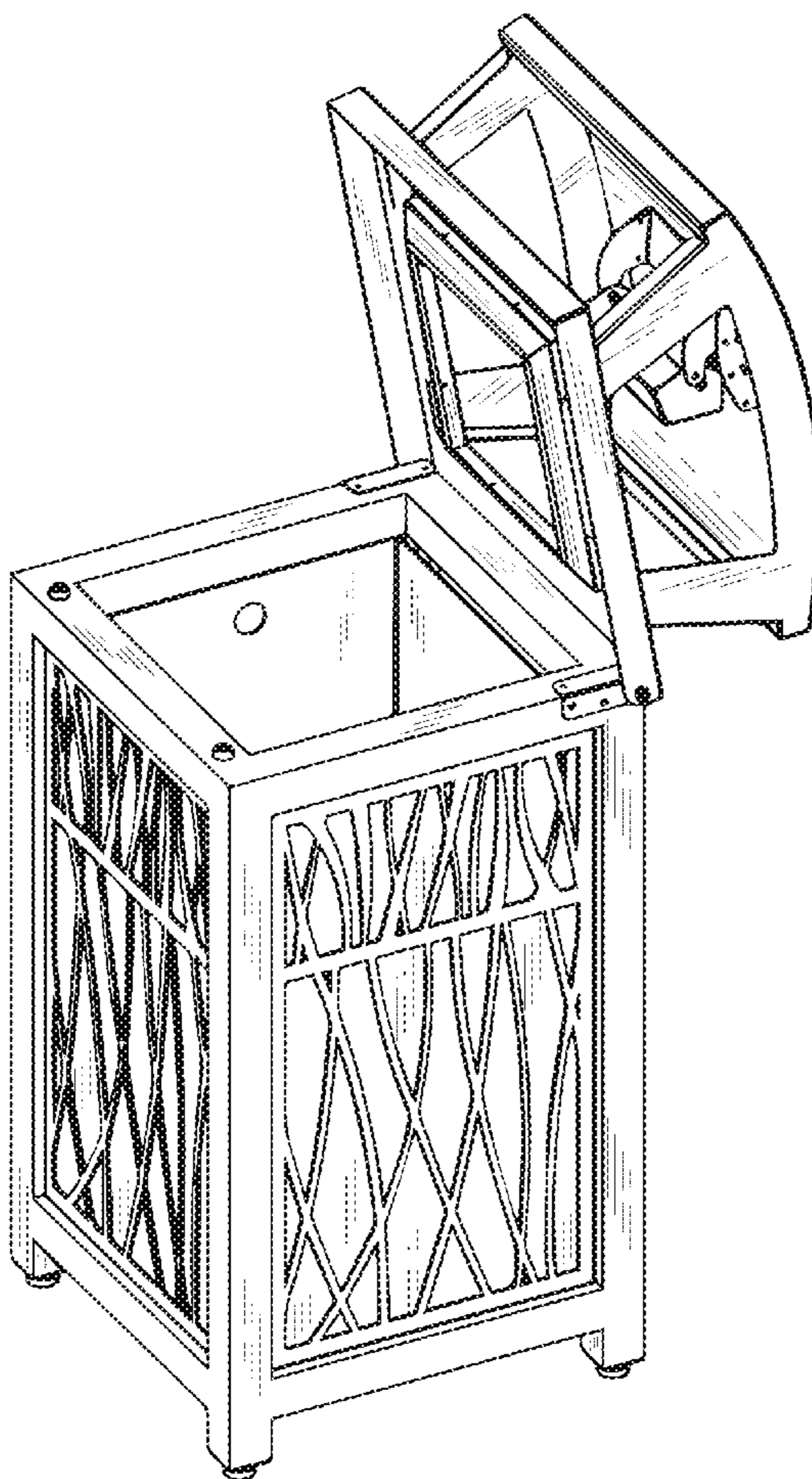
CPC ..... B65F 1/06; B65F 1/10; B65F 1/1607;

B65F 1/163; B65F 1/16

FIG. 1 is a perspective view of a waste receptacle showing our new design in an alternate opened position; FIG. 2 is a front elevational view thereof; FIG. 3 is a right-side elevational view thereof; FIG. 4 is a top plan view thereof; and, FIG. 5 is a perspective view thereof.

See application file for complete search history.

**1 Claim, 5 Drawing Sheets**



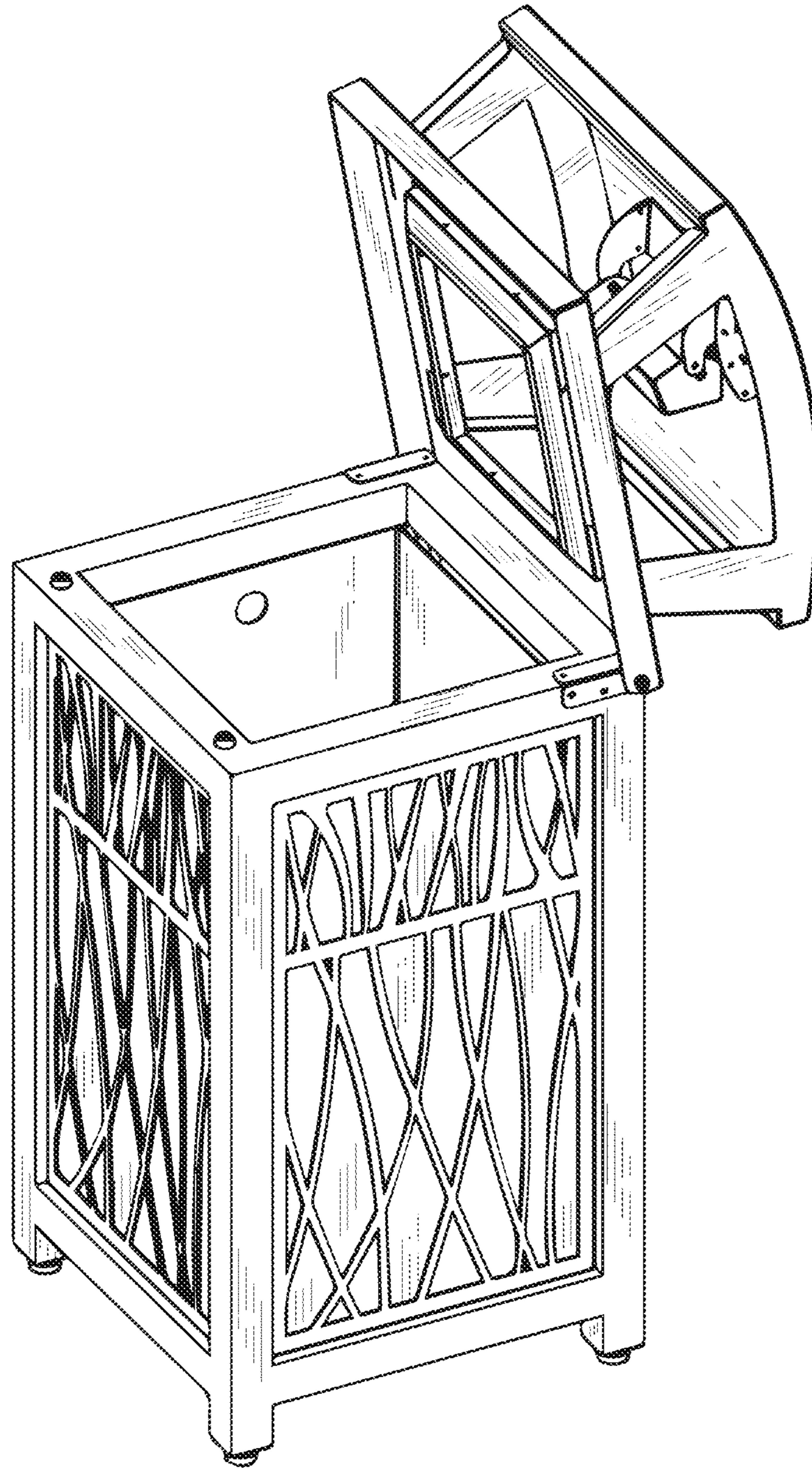


FIG. 1

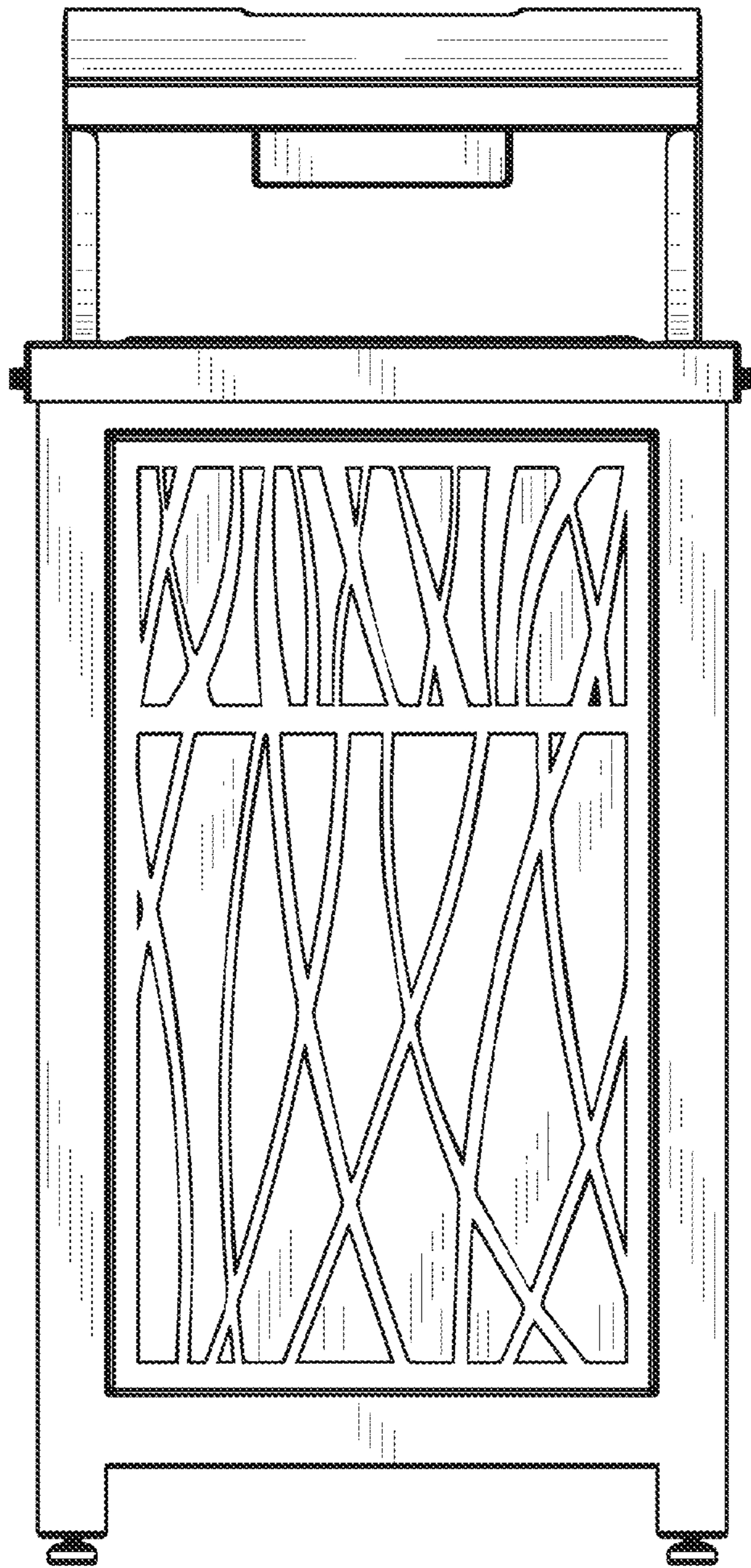


FIG. 2

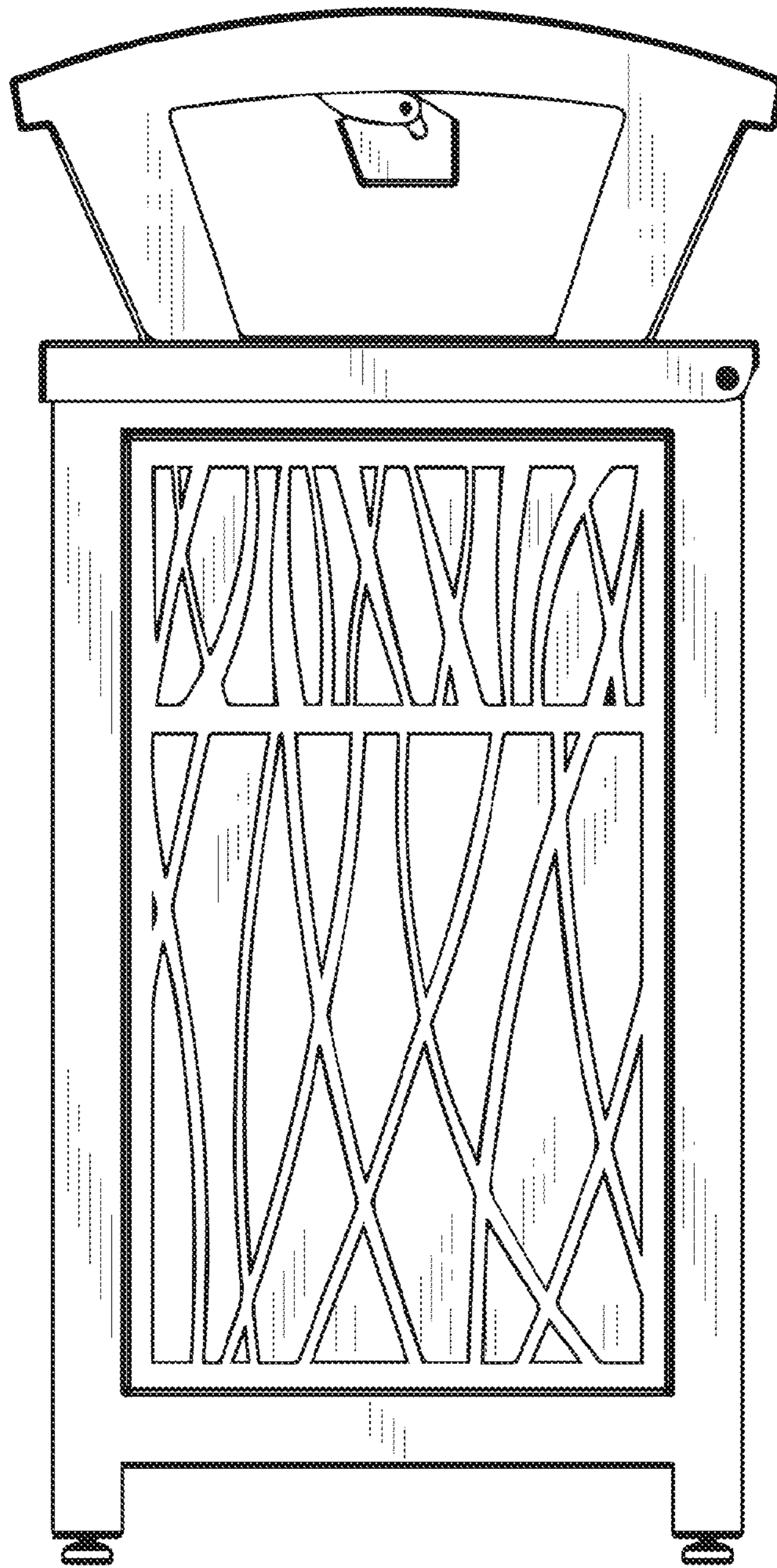


FIG. 3

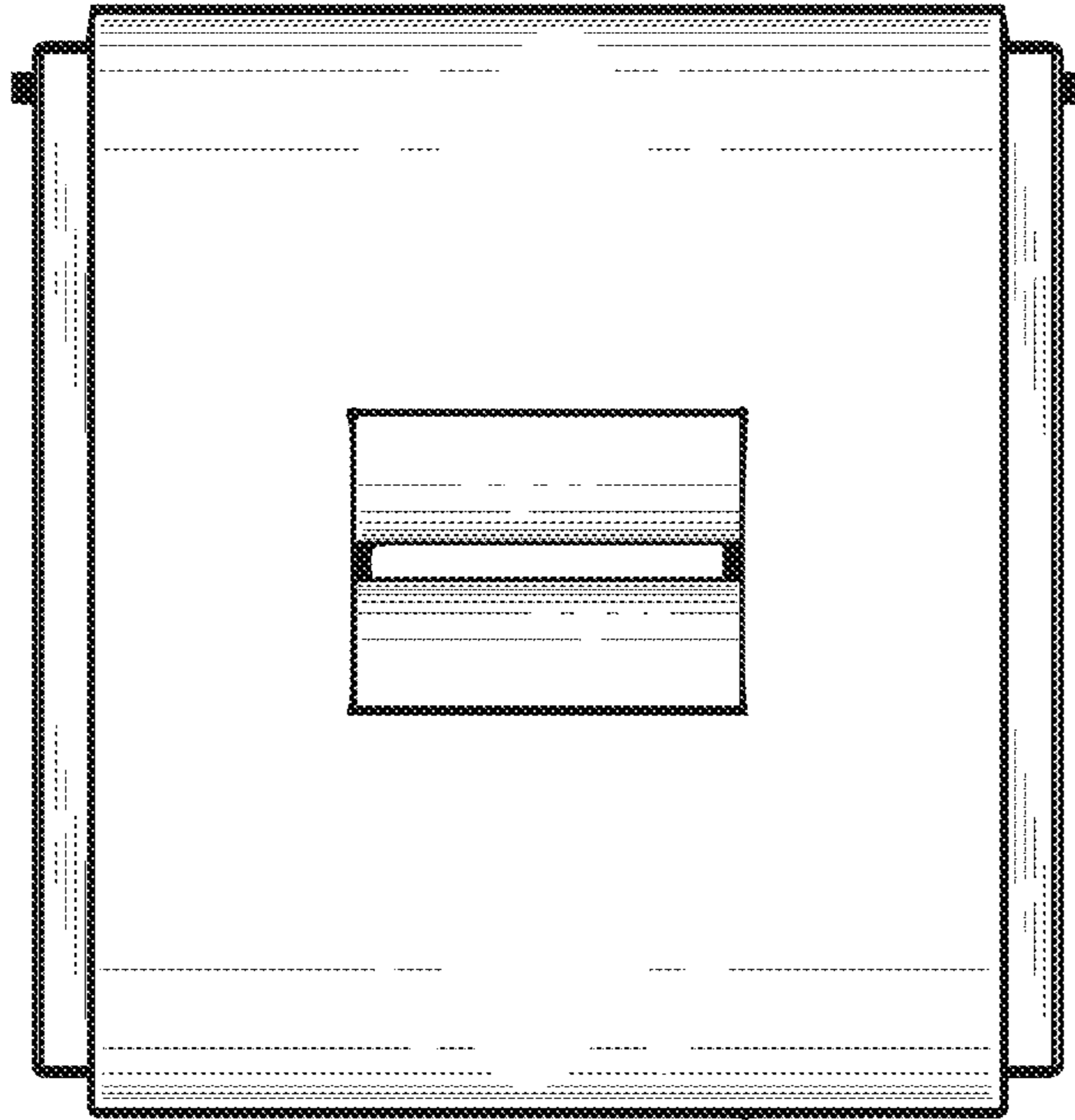


FIG. 4

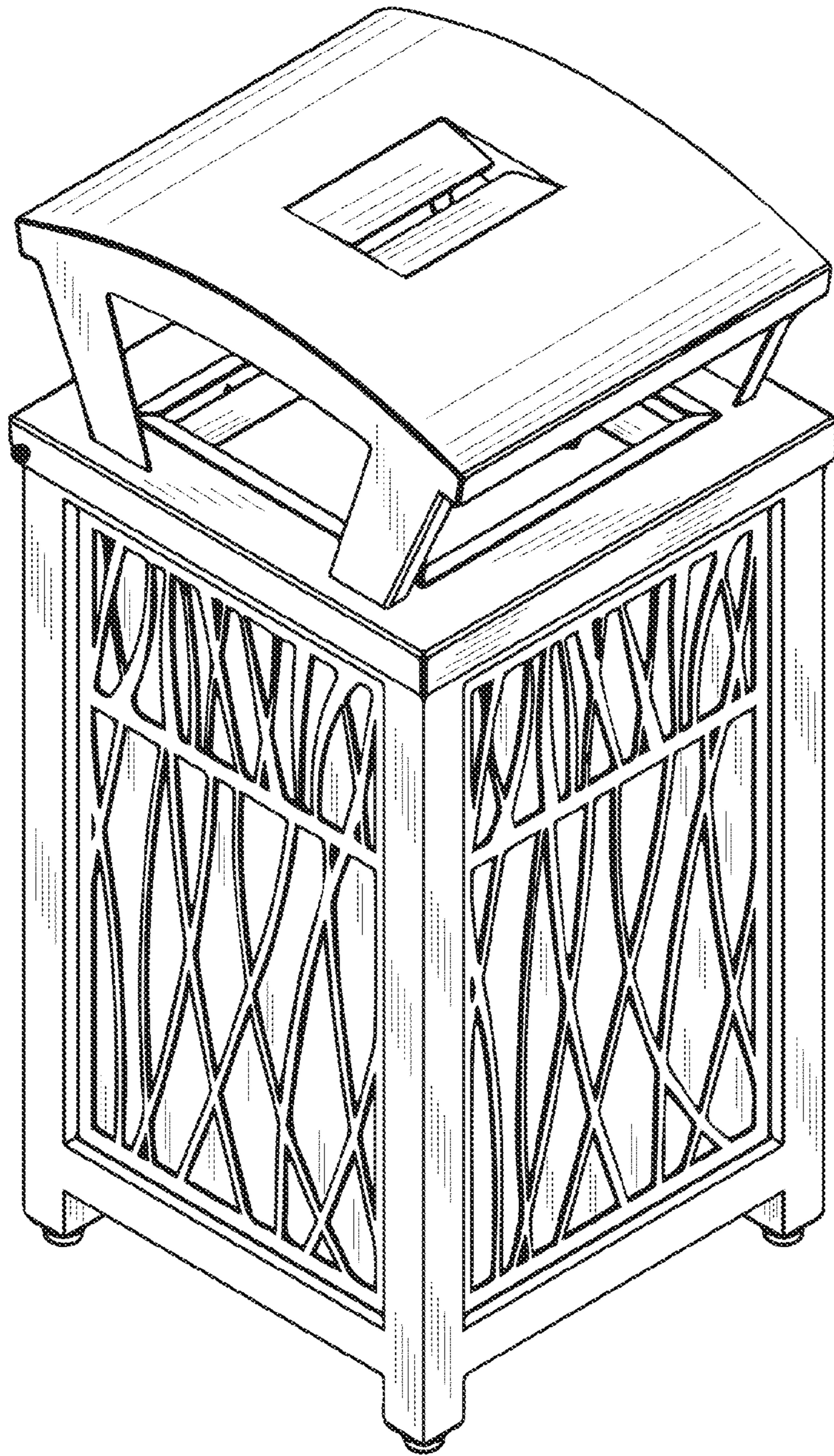


FIG. 5