



US00D762935S

(12) **United States Design Patent**
Dadon

(10) **Patent No.:** **US D762,935 S**

(45) **Date of Patent:** **** Aug. 2, 2016**

(54) **TRAVEL STEAMER**

(71) Applicant: **Lior Dadon**, Tarzana, CA (US)

(72) Inventor: **Lior Dadon**, Tarzana, CA (US)

(**) Term: **15 Years**

(21) Appl. No.: **29/540,454**

(22) Filed: **Sep. 24, 2015**

(51) **LOC (10) Cl.** **07-05**

(52) **U.S. Cl.**
USPC **D32/70**

(58) **Field of Classification Search**
USPC D32/71, 73, 72, 70, 69, 68, 35; D8/373,
D8/349, 396, 30, 71; D15/144, 144.2;
D28/73; 219/231, 242, 229; 165/80.1;
126/414

CPC D06F 75/34; D06F 75/08; D06F 75/38;
D06F 75/00; F22B 27/14; B08B 3/006

See application file for complete search history.

(56) **References Cited**

U.S. PATENT DOCUMENTS

D257,209 S *	10/1980	Baumgartner	D32/70
4,366,367 A	12/1982	Mazzucco		
D284,798 S	7/1986	Doyel		
4,688,340 A	8/1987	Ostrelich		
D301,074 S	5/1989	Terraillon		
D328,164 S *	7/1992	Mishan	D32/71
D340,330 S	10/1993	Seguljic		
D342,814 S *	12/1993	Bergeron	D32/70
D360,509 S *	7/1995	Maeda	D32/70
5,613,310 A *	3/1997	Jimenez	D06F 75/38 38/93
D383,850 S *	9/1997	Machuron	D24/215
D409,807 S	5/1999	Kondo		
D423,162 S	4/2000	Sugimoto et al.		

D441,930 S	5/2001	Choi		
D452,354 S *	12/2001	Hsu	D32/70
D484,654 S *	12/2003	Mishan	D32/35
D491,705 S *	6/2004	Mishan	D32/35
D492,826 S *	7/2004	Mishan	D32/35
D509,936 S	9/2005	Barquin Santillan		
D516,764 S	3/2006	Kihara		
D530,873 S	10/2006	Poon		
D531,369 S	10/2006	Archer et al.		
D531,774 S	11/2006	Grossi		
D537,593 S	2/2007	Takahashi et al.		
D537,594 S	2/2007	Takahashi et al.		
D538,498 S	3/2007	Picozza et al.		
D587,418 S *	2/2009	Mizoguchi	D32/68
D594,166 S	6/2009	Mizoguchi		
D629,991 S	12/2010	Day et al.		
D653,415 S	1/2012	Zegdon		

* cited by examiner

Primary Examiner — Austin Murphy

(74) *Attorney, Agent, or Firm* — Robert J. Lauson; Lauson & Tarver LLP

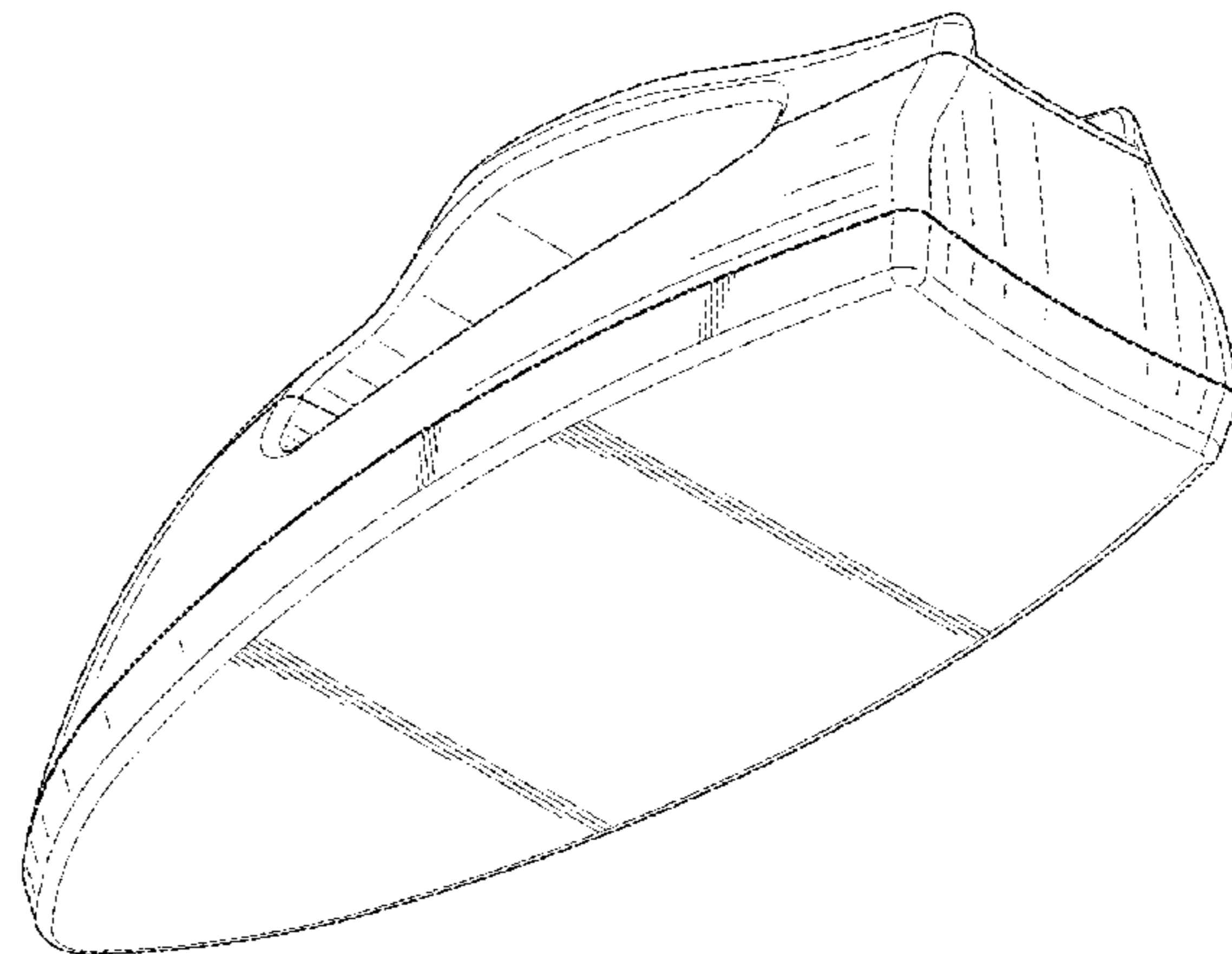
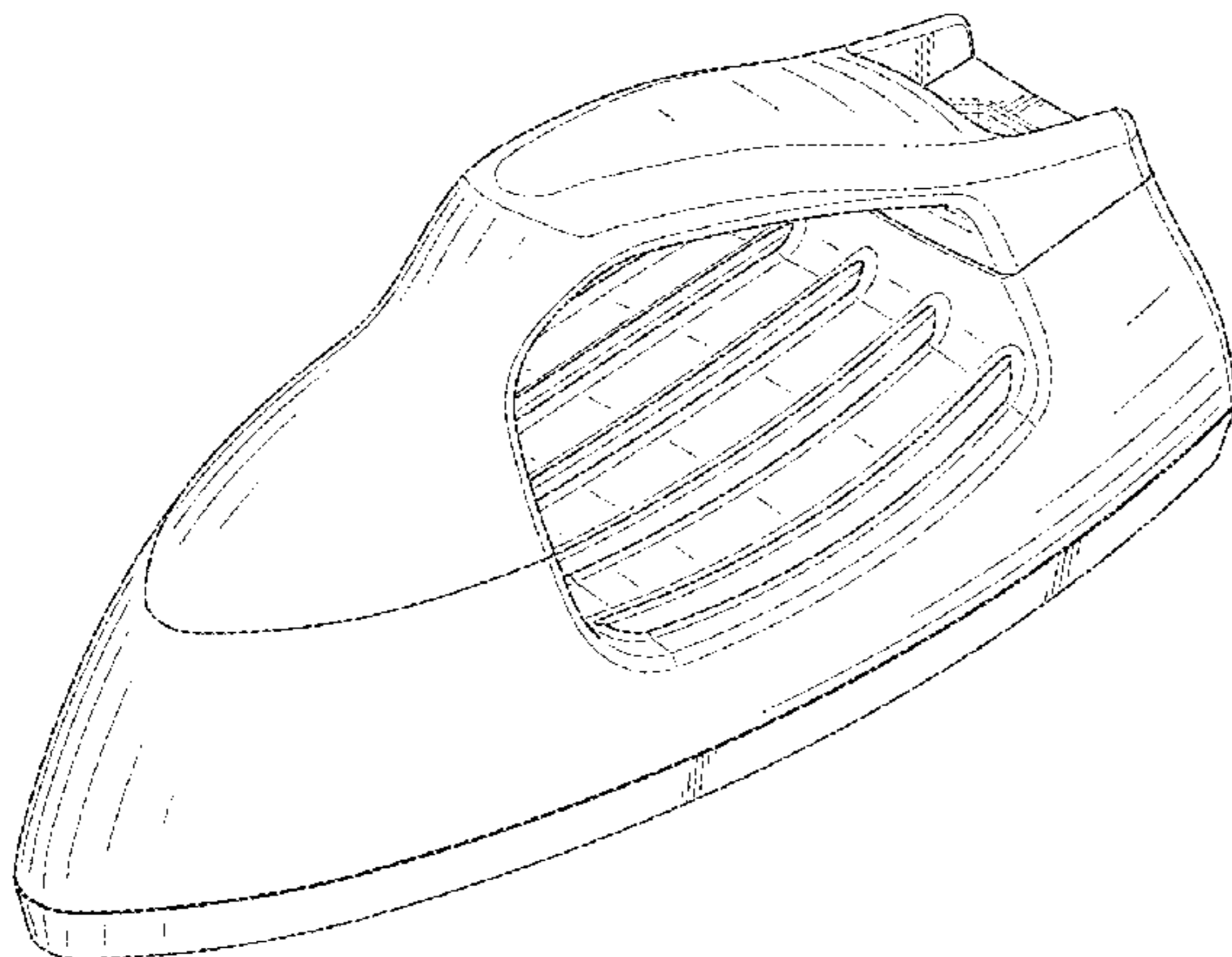
(57) **CLAIM**

I claim the ornamental design for a travel steamer, as shown and described.

DESCRIPTION

FIG. 1 is a top perspective view of the preferred embodiment. FIG. 2 is a bottom perspective view of the preferred embodiment. FIG. 3 is a front view of the preferred embodiment. FIG. 4 is a rear view of the preferred embodiment. FIG. 5 is a left side elevation view of the preferred embodiment, the right side elevation view being a mirror image thereof. FIG. 6 is a top plan view of the preferred embodiment; and, FIG. 7 is a bottom view of the preferred embodiment.

1 Claim, 3 Drawing Sheets



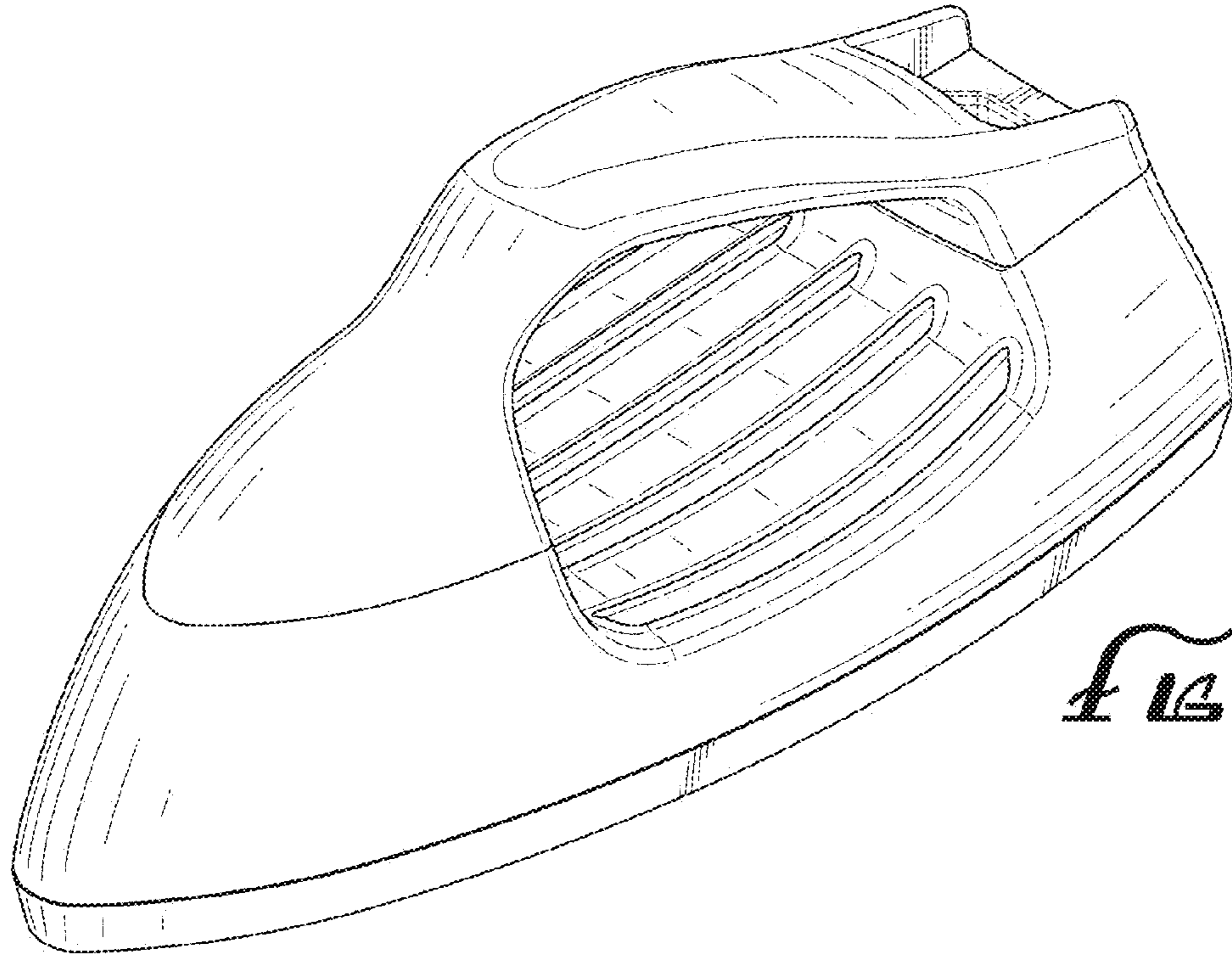


FIG. 1

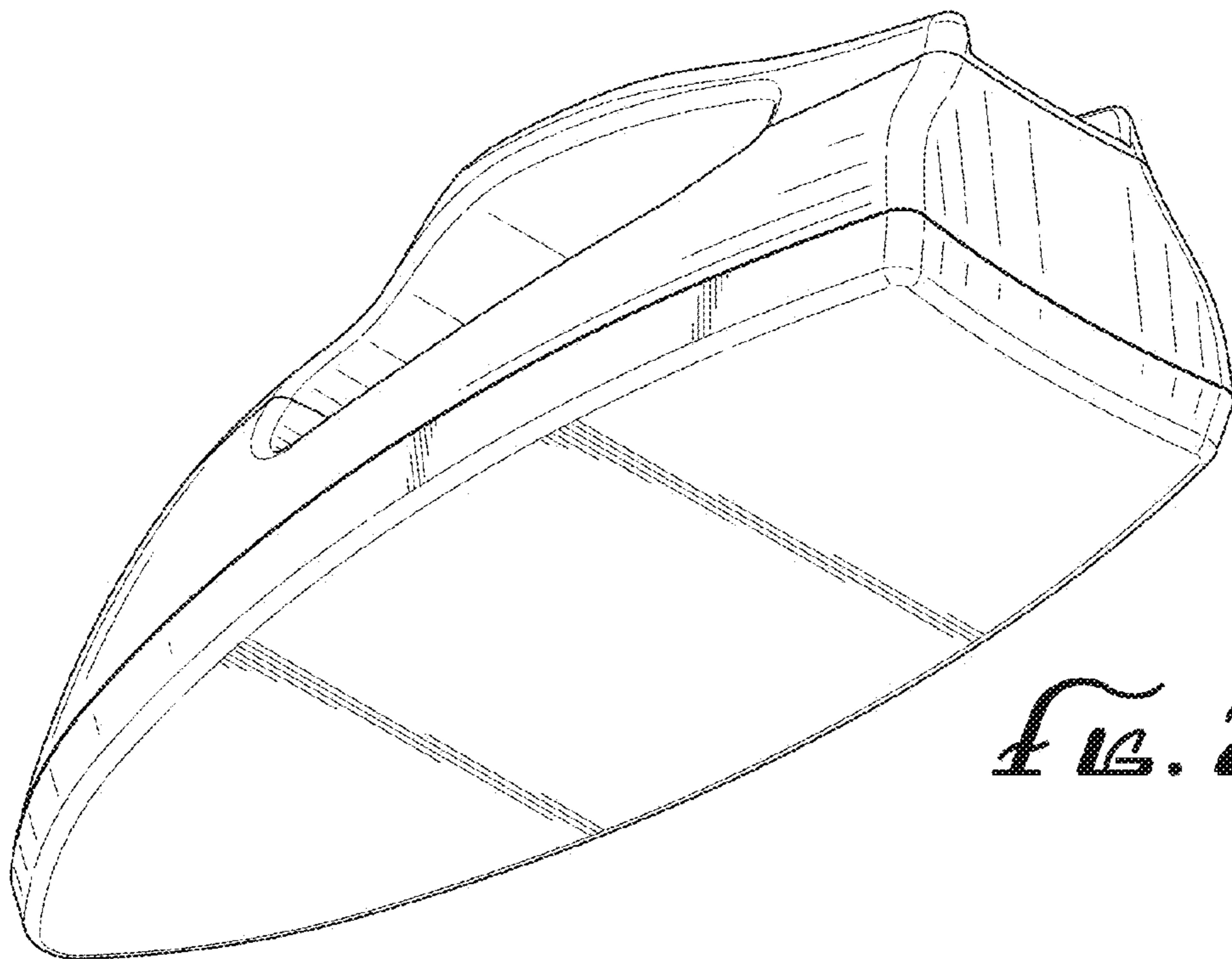


FIG. 2

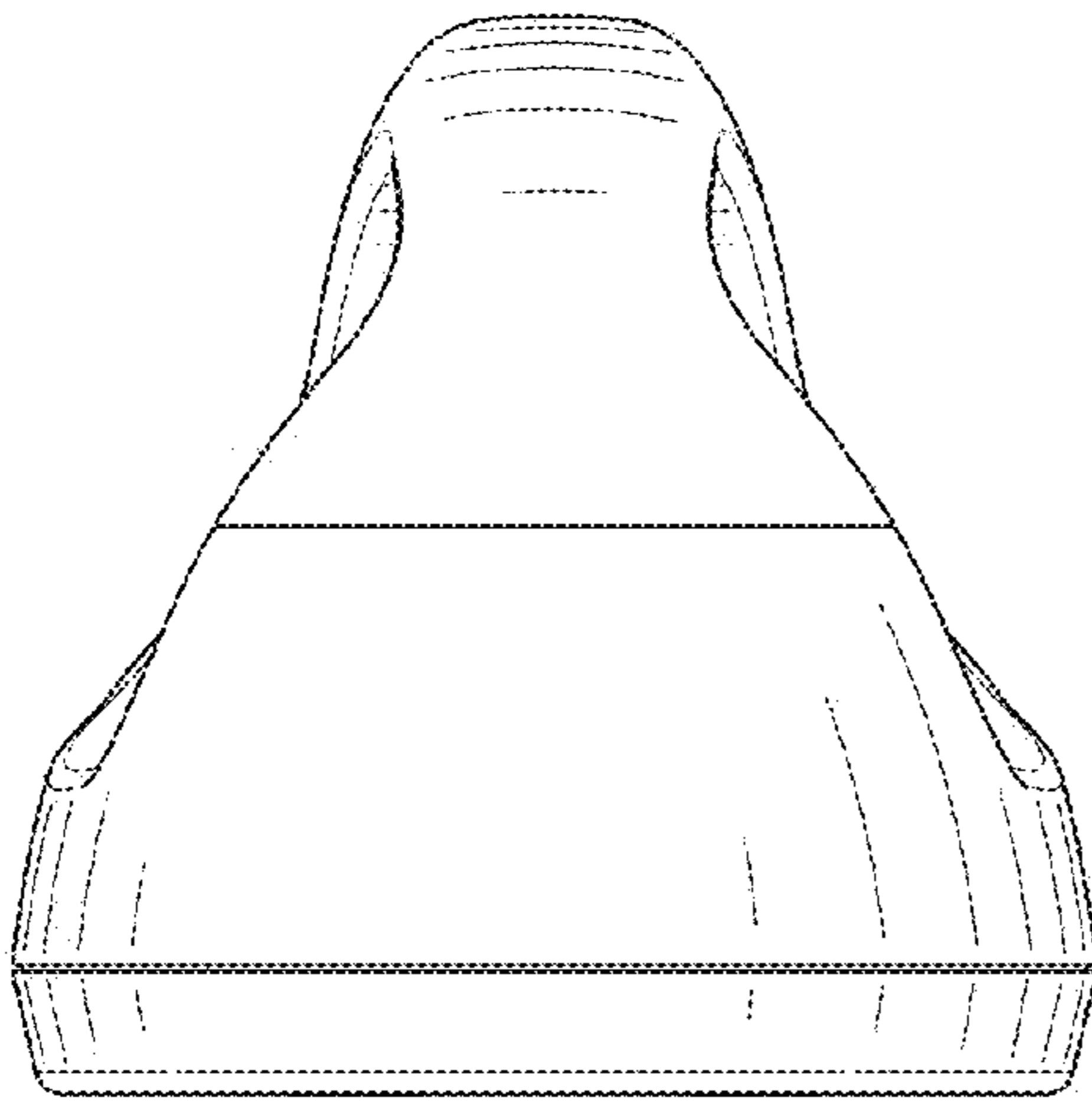


FIG. 3

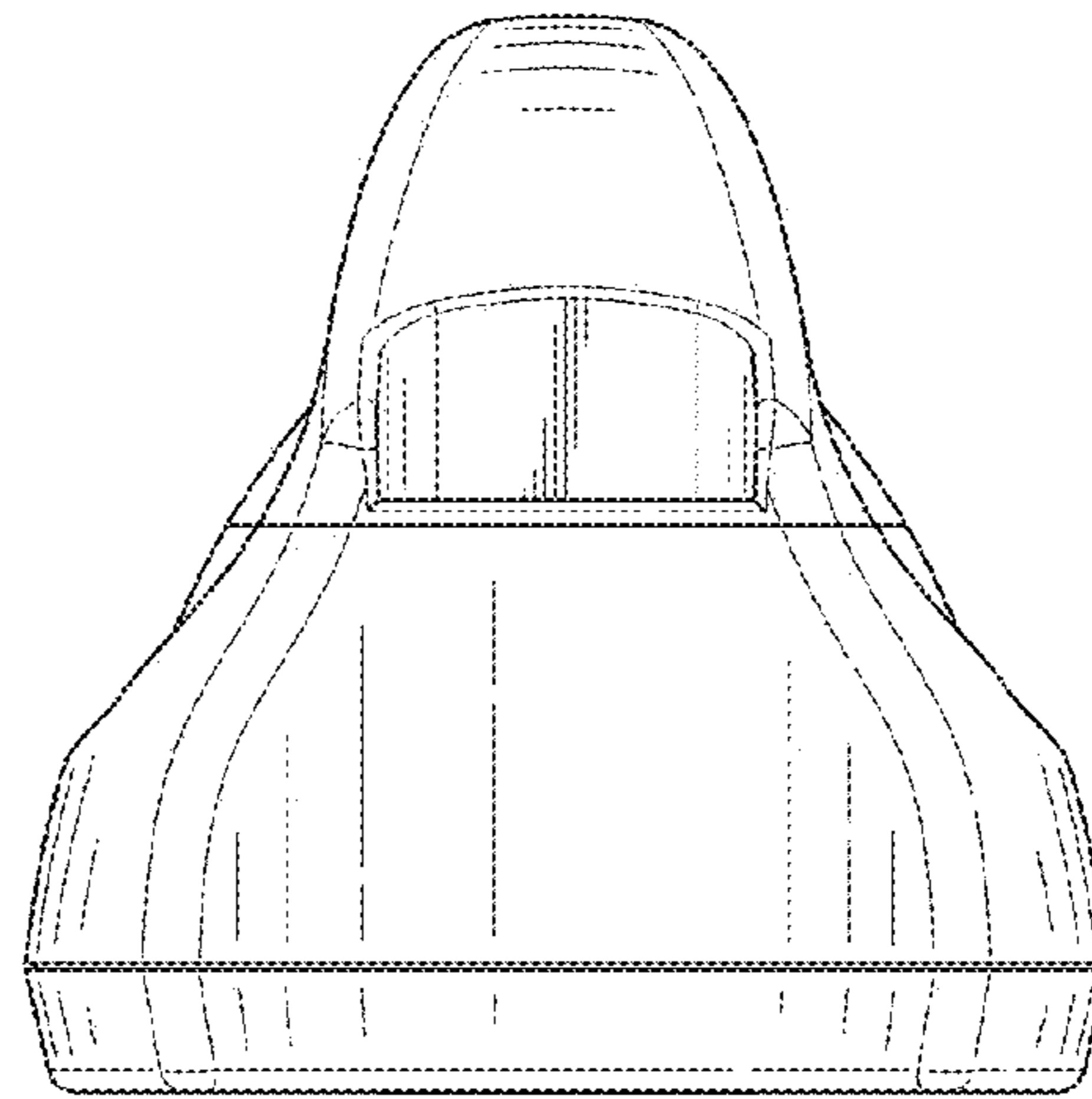


FIG. 4

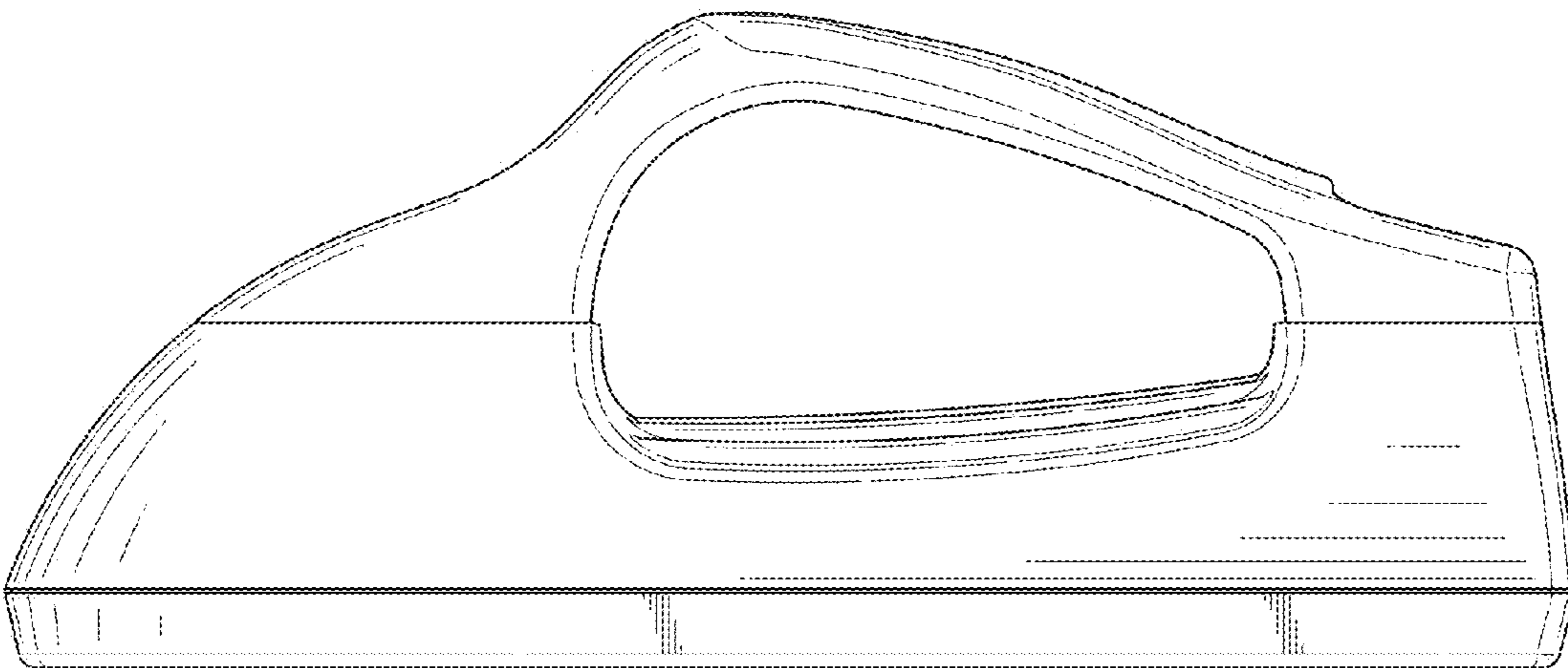


FIG. 5

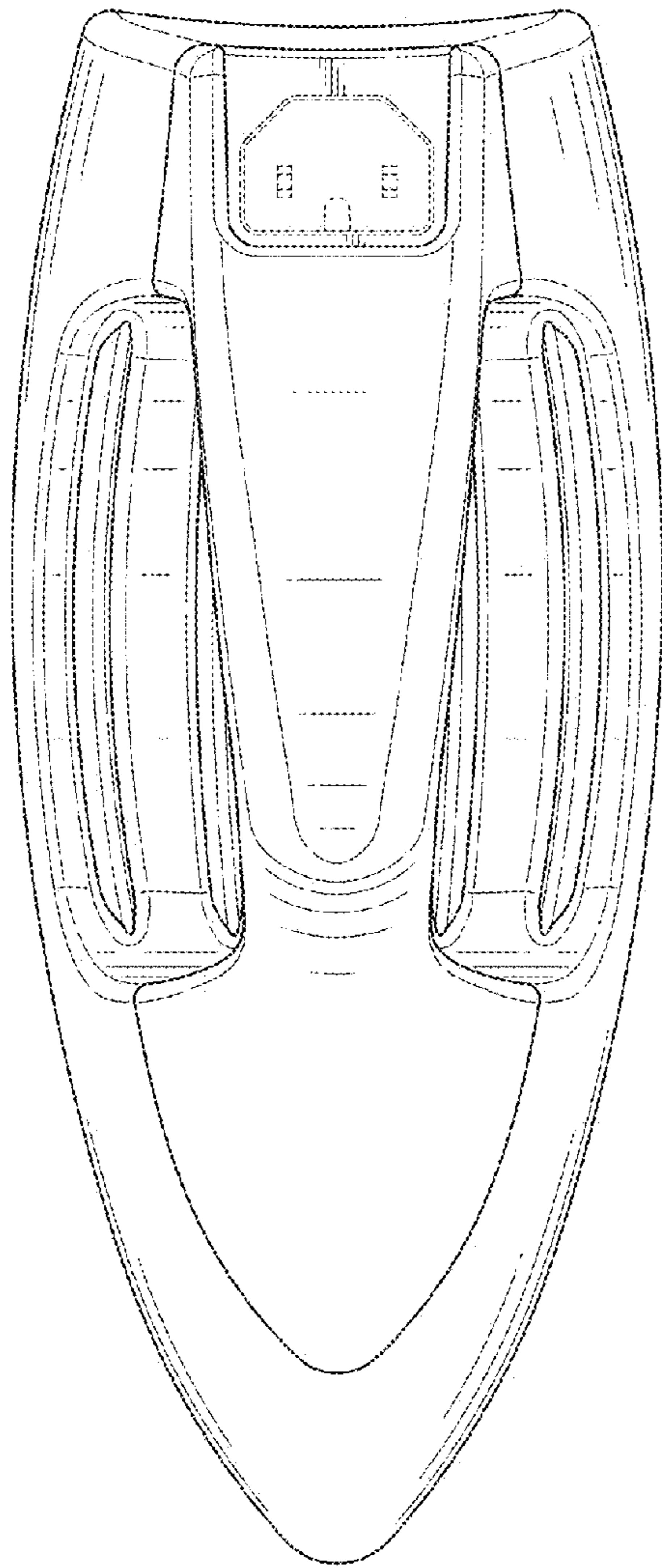


FIG. 6

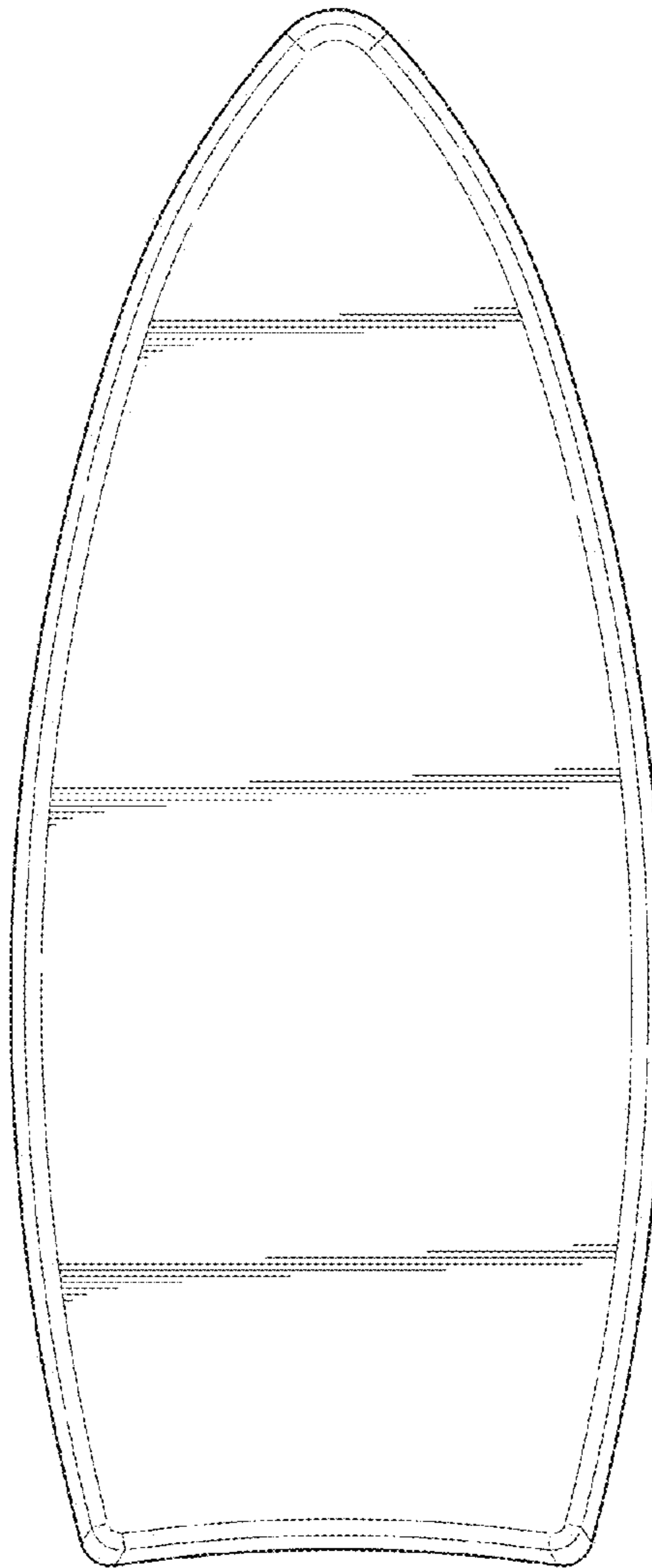


FIG. 7