

US00D762934S

(12) **United States Design Patent**  
**Evans et al.**

(10) **Patent No.:** **US D762,934 S**  
(45) **Date of Patent:** **\*\* Aug. 2, 2016**

- (54) **CADDY XL**
- (71) Applicant: **Joseph Joseph Ltd.**, London (GB)
- (72) Inventors: **David Evans**, Great Abington (GB);  
**Ashley May**, Great Abington (GB)
- (73) Assignee: **Joseph Joseph Ltd.**, London (GB)
- (\*\*) Term: **14 Years**
- (21) Appl. No.: **29/522,323**
- (22) Filed: **Mar. 30, 2015**

D566,919 S *	4/2008	Snell .....	D32/55
D626,363 S *	11/2010	Yang .....	D6/525
D635,383 S *	4/2011	Yang .....	D6/525
D642,841 S *	8/2011	Dretzka .....	D6/553
D655,472 S *	3/2012	Krus .....	D32/55
D690,483 S *	9/2013	Renz .....	D32/55
D699,012 S *	2/2014	Ziemann .....	D32/55
D706,009 S *	5/2014	Cooper .....	D32/55
D731,728 S *	6/2015	Evans .....	D32/55

\* cited by examiner

*Primary Examiner* — Austin Murphy  
(74) *Attorney, Agent, or Firm* — Millen, White, Zelano & Branigan, P.C.

(30) **Foreign Application Priority Data**

Oct. 7, 2014 (EM) ..... 002552208-0001

- (51) **LOC (10) Cl.** ..... **07-05**
- (52) **U.S. Cl.**  
USPC ..... **D32/55**

- (58) **Field of Classification Search**  
USPC ..... D32/55, 276, 3; D6/510, 525; D30/133;  
211/41.5, 41.4, 41.3, 41.8; 361/679.4;  
312/311, 333, 334.4; D7/354, 629  
CPC ..... A47J 47/20; A47J 2201/00; A47J 47/00;  
B65D 35/02; B65D 35/22; B65D 35/56  
See application file for complete search history.

(56) **References Cited**

**U.S. PATENT DOCUMENTS**

D187,290 S *	2/1960	Miller .....	D32/55
D304,401 S *	11/1989	Wagner .....	D6/514
D518,936 S *	4/2006	Yang .....	D32/55

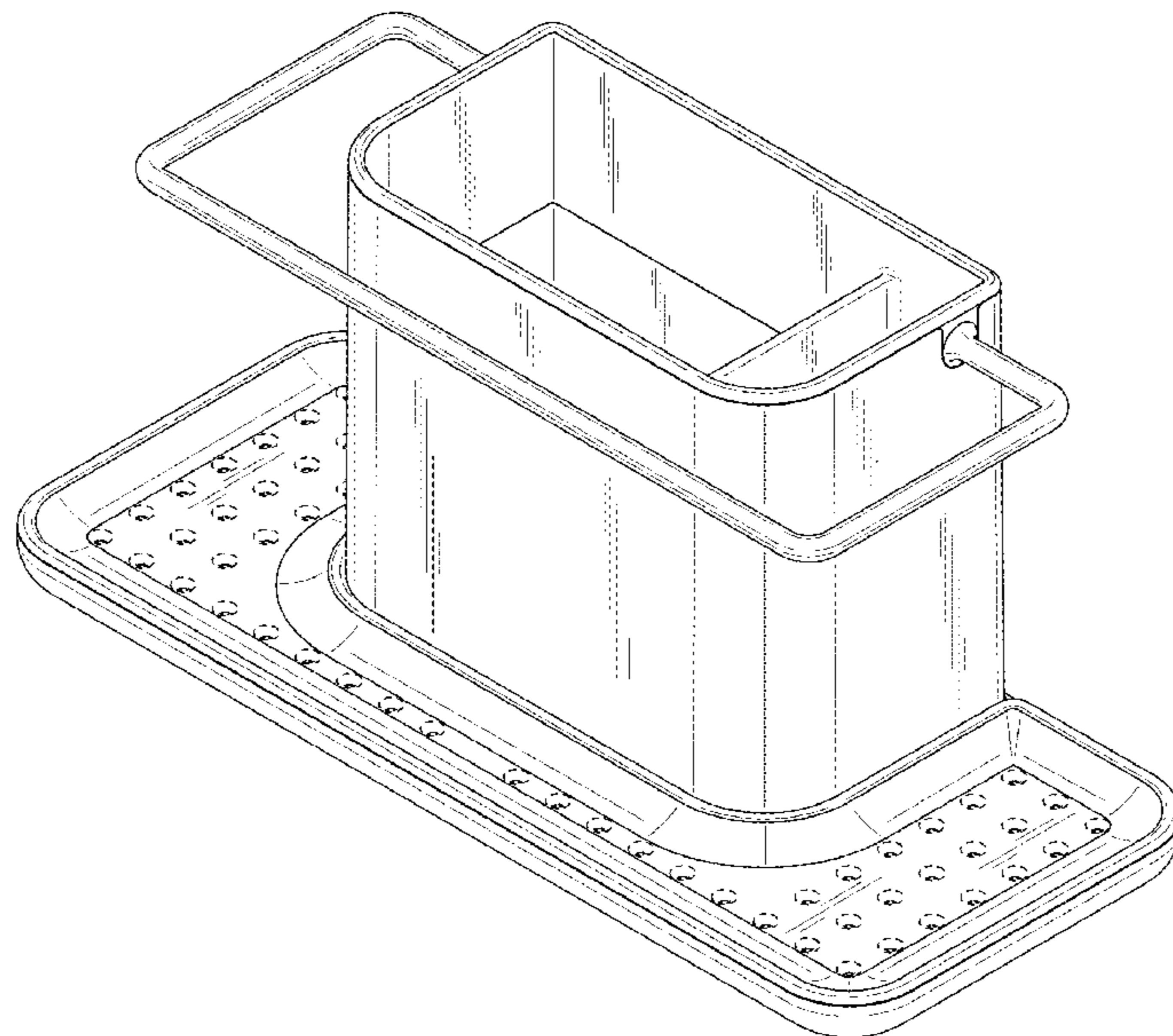
(57) **CLAIM**

The ornamental design for a caddy XL, as shown and described.

**DESCRIPTION**

FIG. 1 is a top perspective view of the caddy XL showing my new design.  
FIG. 2 is a side view thereof.  
FIG. 3 is another side view thereof.  
FIG. 4 is another side view thereof.  
FIG. 5 is another side view thereof.  
FIG. 6 is a bottom view thereof; and,  
FIG. 7 is a top view thereof.  
The broken lines showing other parts of the caddy XL form no part of the claimed design.

**1 Claim, 7 Drawing Sheets**



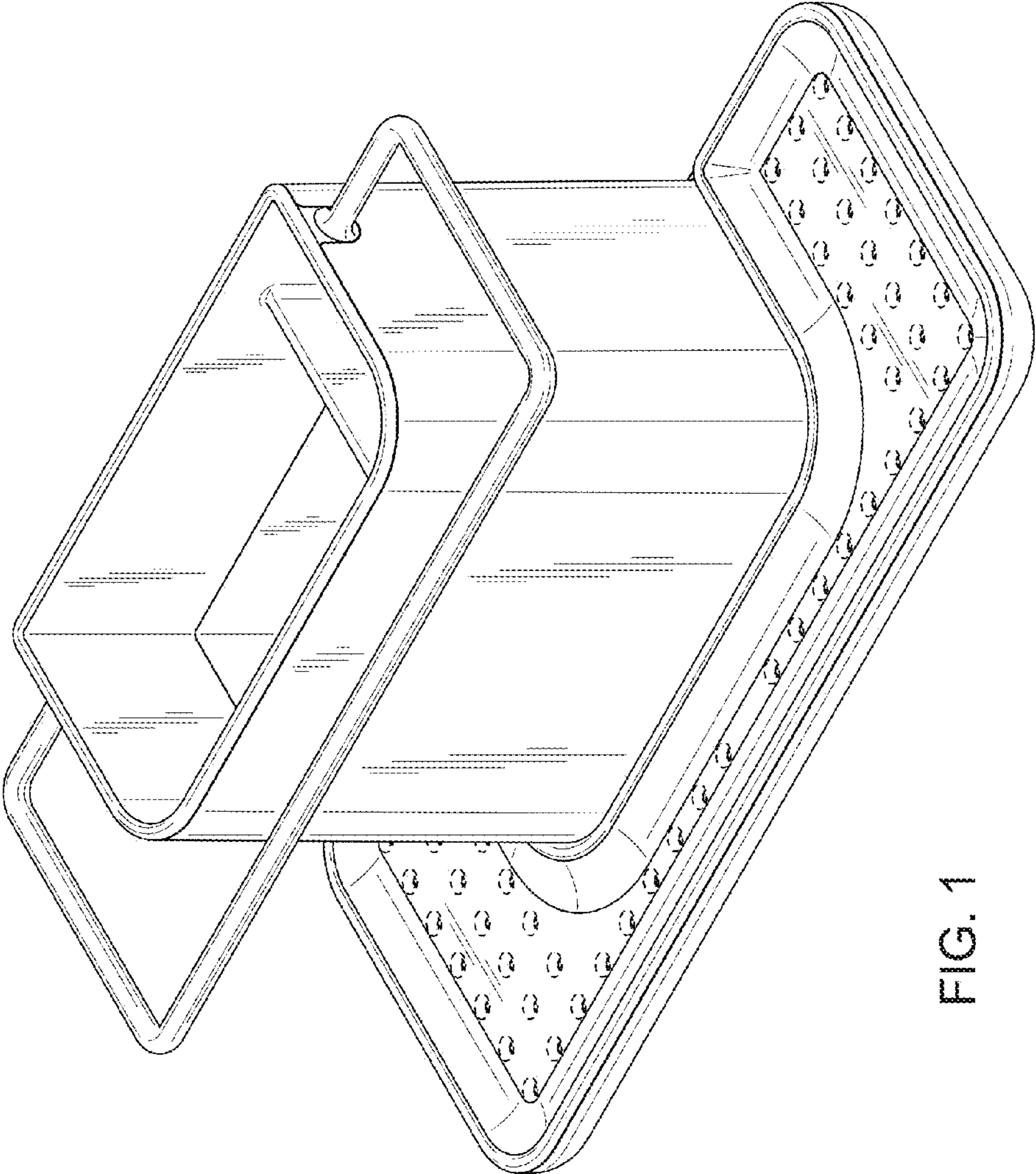


FIG. 1

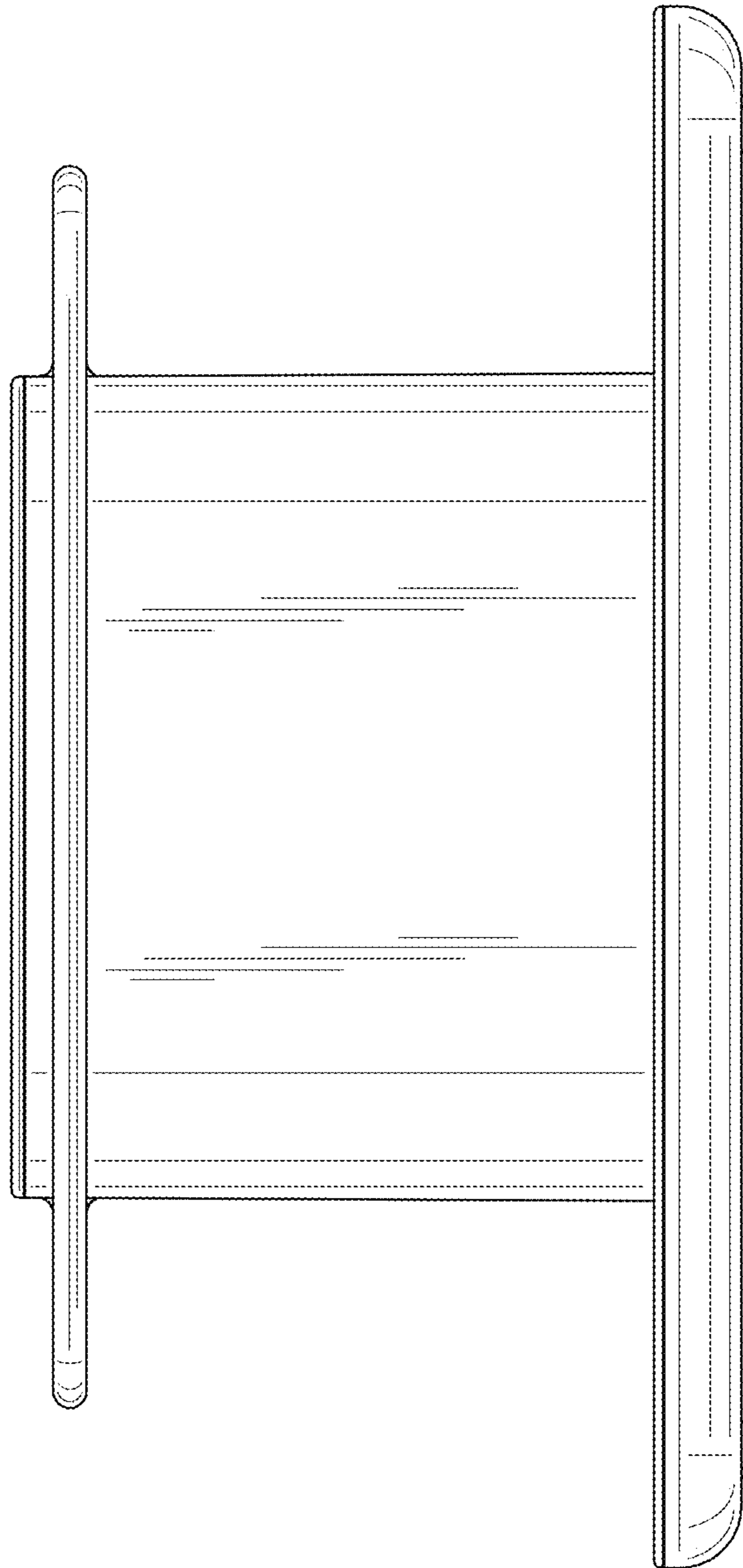


FIG. 2

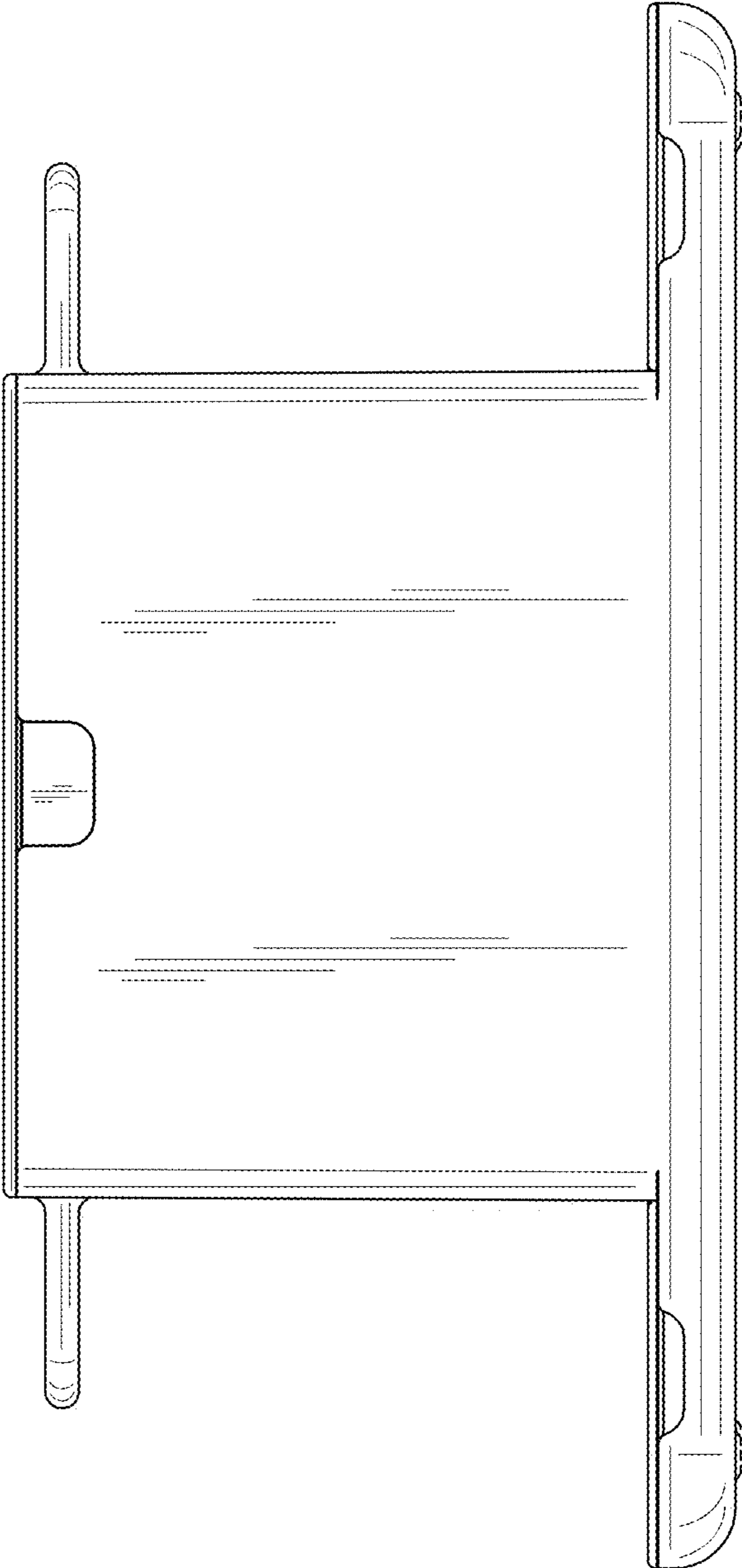


FIG. 3

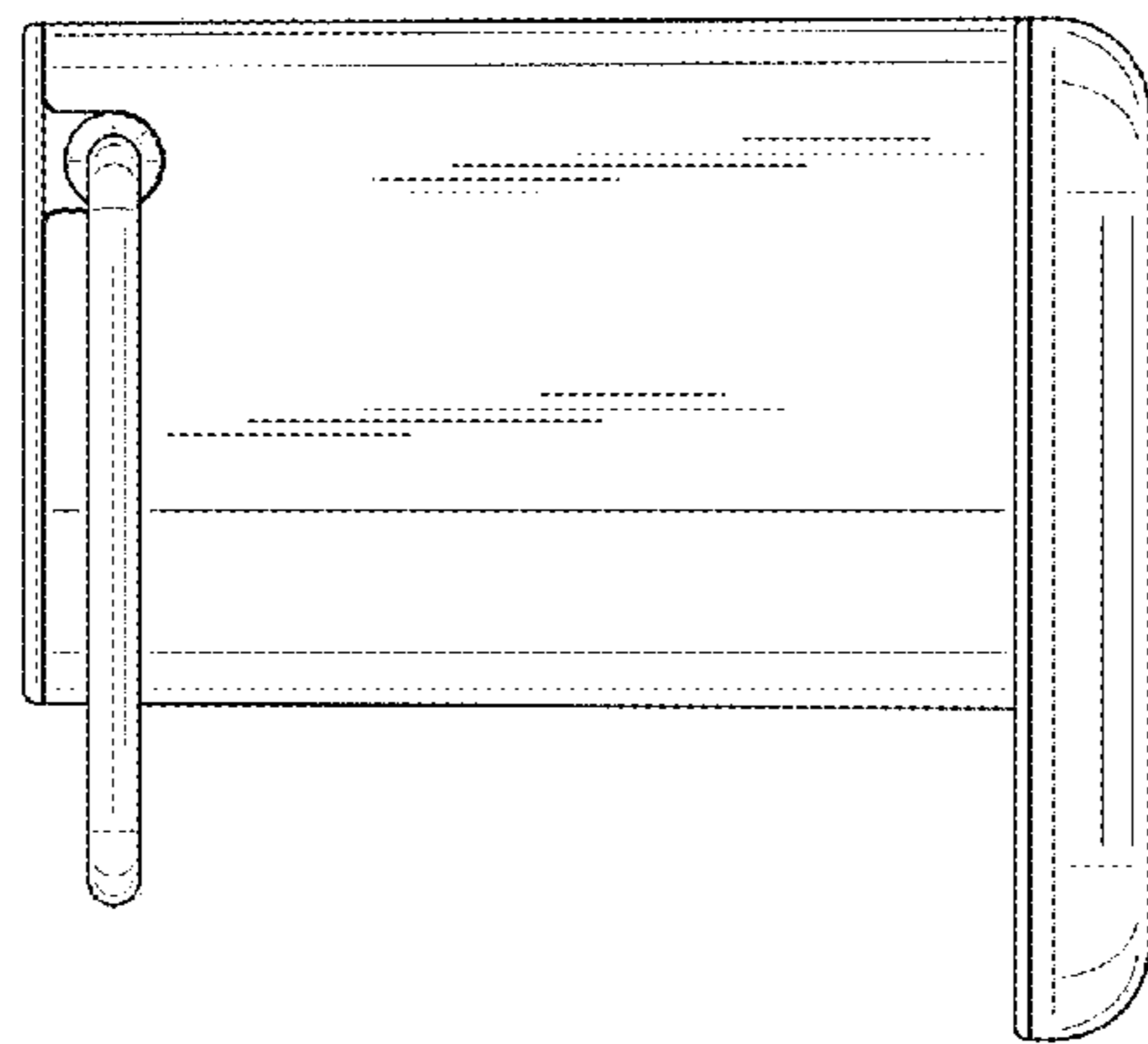


FIG. 4

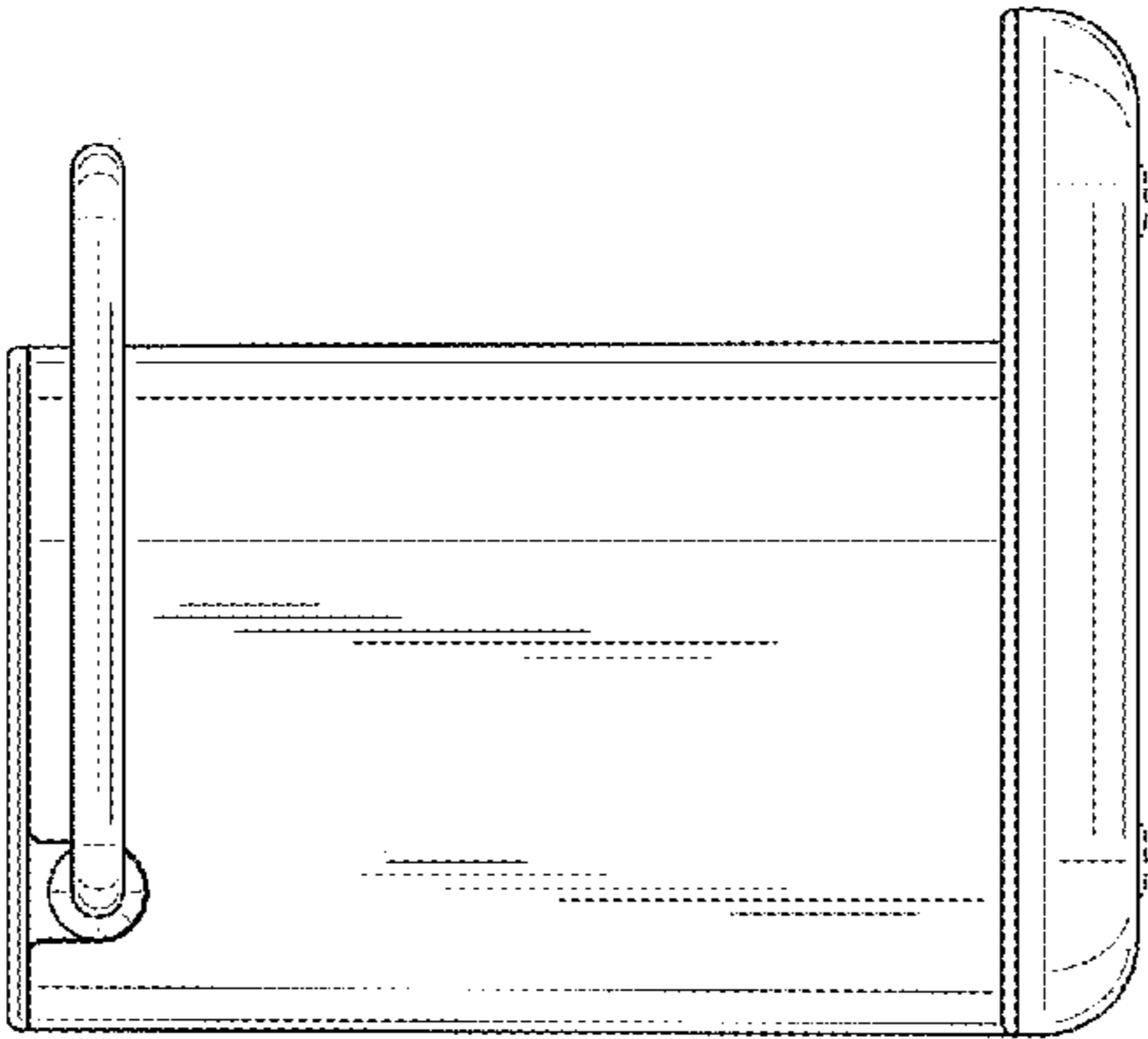


FIG. 5



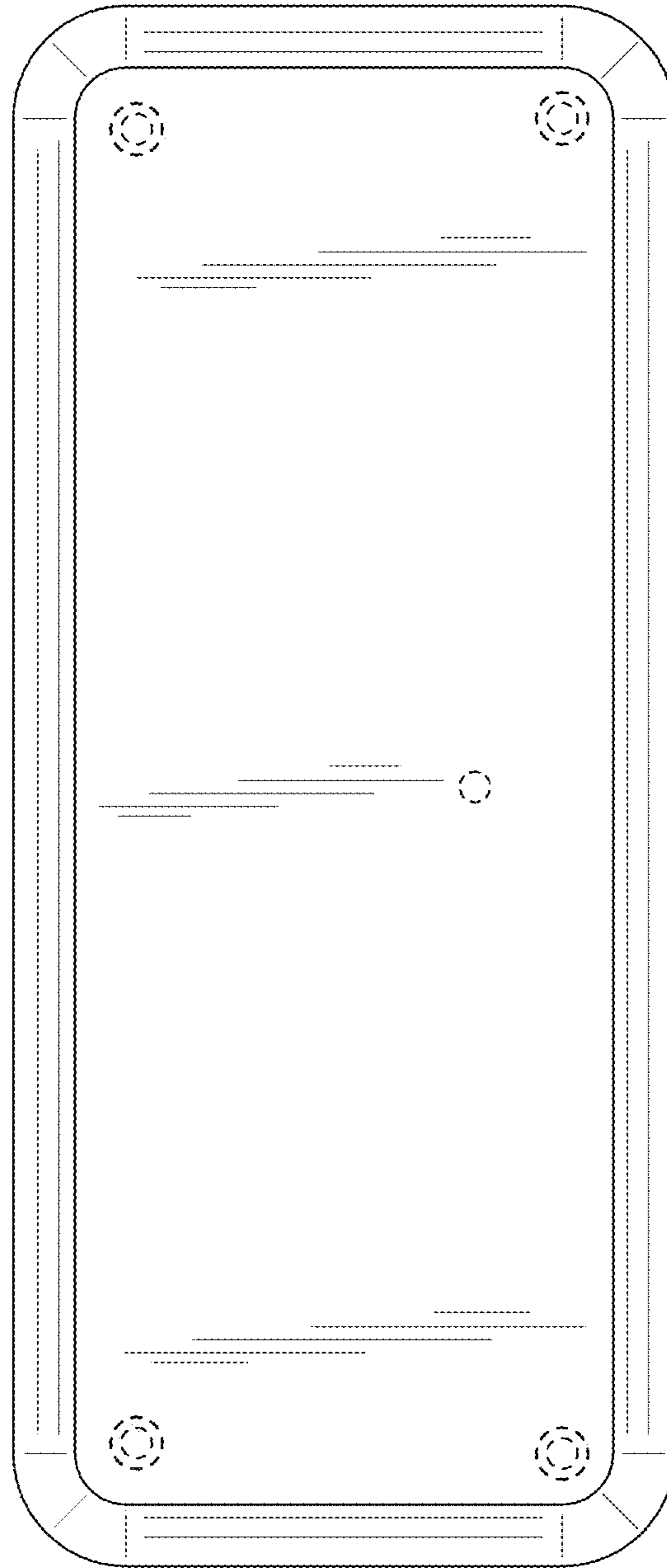


FIG. 6

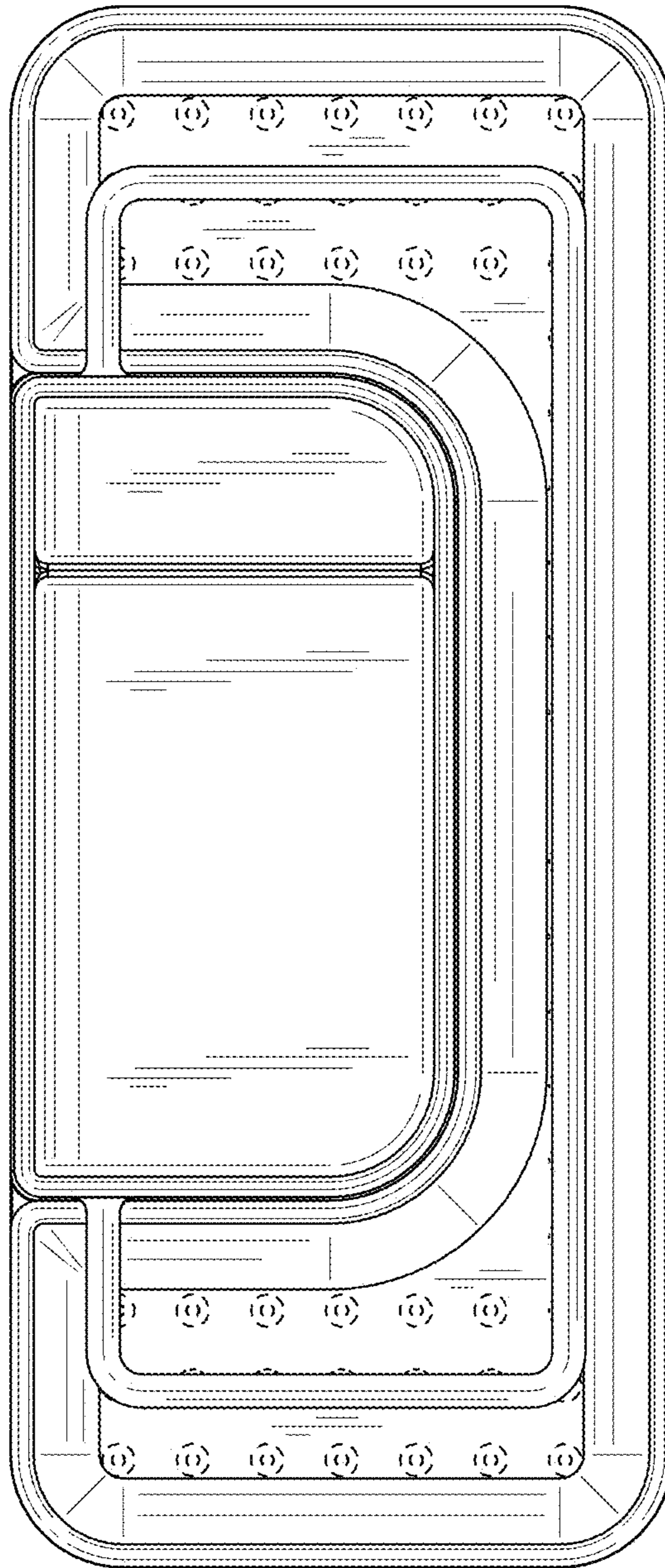


FIG. 7