



US00D762929S

(12) **United States Design Patent**
Minter

(10) **Patent No.:** **US D762,929 S**
(45) **Date of Patent:** **** Aug. 2, 2016**

(54) **BAG HOLDER WITH HANDLE FOR COLLECTING DOG EXCREMENT**

(71) Applicant: **Theodore M Minter**, Cleveland, OH (US)

(72) Inventor: **Theodore M Minter**, Cleveland, OH (US)

(**) Term: **15 Years**

(21) Appl. No.: **29/505,677**

(22) Filed: **Dec. 28, 2015**

Related U.S. Application Data

(63) Continuation-in-part of application No. 29/505,359, filed on Sep. 25, 2015.

(51) **LOC (10) Cl.** **30-99**

(52) **U.S. Cl.**
USPC **D30/162**

(58) **Field of Classification Search**

USPC D30/161, 162, 151, 144, 140, 137, 106, D30/199; 119/867, 868, 161, 163, 164, 170, 119/717, 712; 294/1.3-1.5, 214; 43/7-12; 15/257.1, 257.7; 206/496; 383/33, 34, 383/34.1, 6, 12, 13, 68; 30/99; D32/74, 49; D8/14, 106, 107, 499

CPC A01K 23/00; A01K 23/005; E01H 1/1206; E01H 1/1213; E01H 1/12; E01H 2001/122; E01H 2001/1226; E01H 2001/1233; E01H 2001/128; E01H 2001/1286; E01H 2001/1293; E01H 2001/1273; E01H 2001/126

See application file for complete search history.

(56) **References Cited**

U.S. PATENT DOCUMENTS

569,830 A * 10/1896 Hunt A47L 13/52 15/257.9
1,719,400 A * 7/1929 Hampson A01B 1/06 172/372

1,827,126 A * 10/1931 Washburn A47J 45/06 210/471
2,033,408 A * 3/1936 Watterson A63B 67/22 473/508
2,239,391 A * 4/1941 Krause A63F 7/2436 273/129 R
2,539,563 A * 1/1951 Baloun A01K 77/00 43/12
2,595,597 A * 5/1952 Morseth A01K 77/00 16/429
3,017,653 A * 1/1962 Bird A47L 13/52 15/257.8
3,052,214 A * 9/1962 Johnson A01K 23/005 15/257.6
3,188,668 A * 6/1965 Buckelew E04H 4/1609 15/1.7
3,220,037 A * 11/1965 Ruhling E04H 4/1609 15/1.7
3,224,131 A * 12/1965 Parse A01K 77/00 43/12
3,677,596 A * 7/1972 Yonaites A47L 13/52 294/1.4

(Continued)

Primary Examiner — Susan Moon Lee

(74) *Attorney, Agent, or Firm* — David A. Burge

(57) **CLAIM**

I claim the ornamental design for a bag holder with handle for collecting dog excrement, as shown and described.

DESCRIPTION

FIG. 1 is a front elevational view of my new design for a bag holder with handle for collecting dog excrement;

FIG. 2 is a rear view thereof;

FIG. 3 is a top plan view thereof;

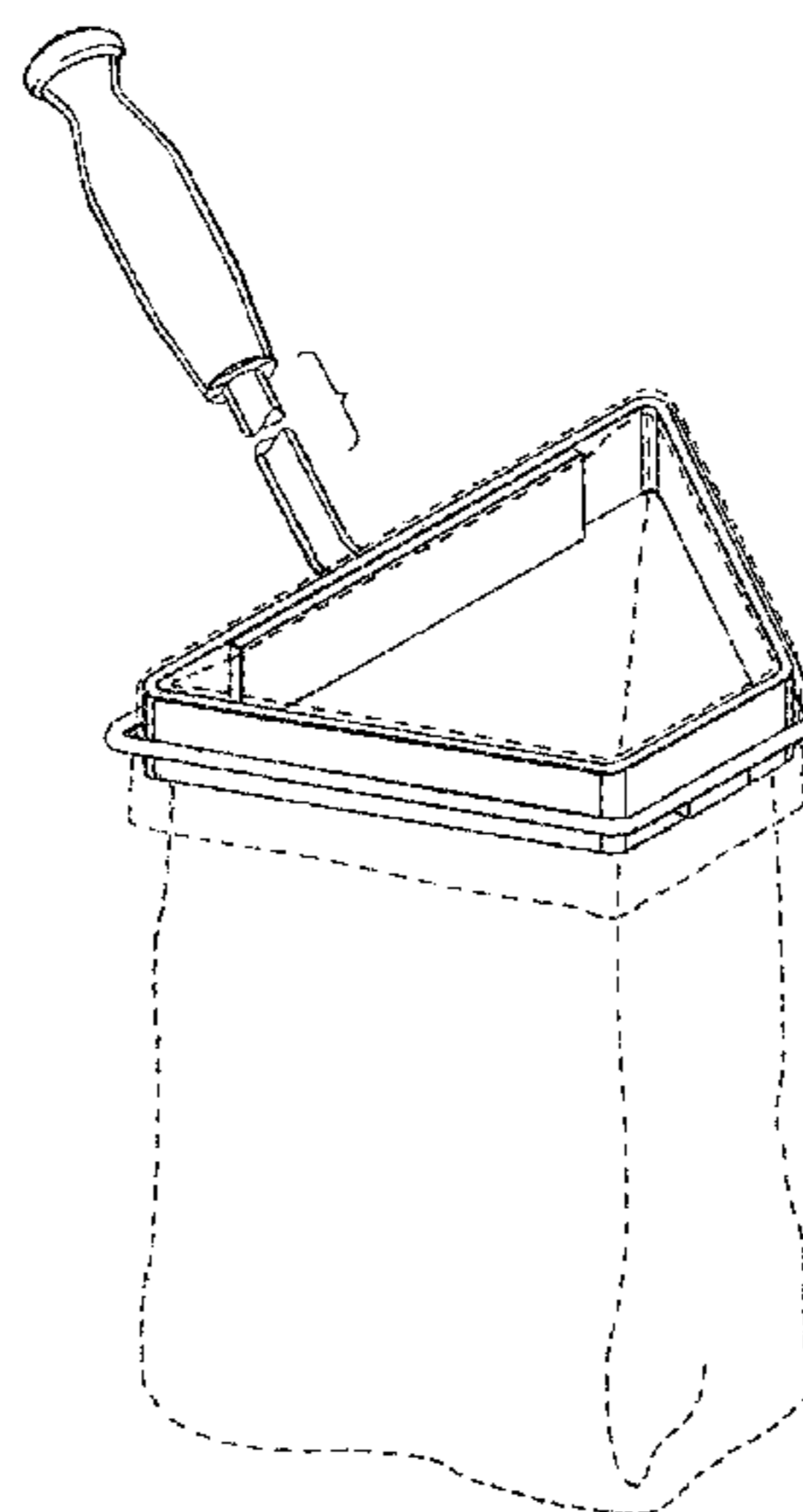
FIG. 4 is a bottom view thereof;

FIG. 5 is a left side view of the bag holder with handle for collecting dog excrement, the right side view being a mirror image thereof; and,

FIG. 6 is a perspective view thereof.

The handle of the bag holder is shown with a symbolic break in its length. The appearance of any portion of the article between the break lines forms no part of the claimed design.

1 Claim, 5 Drawing Sheets



(56)

References Cited

U.S. PATENT DOCUMENTS

- | | | | | | | | |
|---------------|---------|-------------|---------------------------|----------------|---------|--------------------|----------------------------|
| 3,711,141 A * | 1/1973 | Soergel | 15/257.8 | 5,165,744 A * | 11/1992 | Vogrin | A63B 57/0037
294/19.2 |
| 3,733,099 A * | 5/1973 | Szita | B65B 67/1238
294/1.4 | 5,174,580 A * | 12/1992 | Pratt | A63B 59/20
473/513 |
| 3,744,453 A * | 7/1973 | Deitch | A01K 23/005
119/161 | D336,704 S * | 6/1993 | Foden | D30/118 |
| 3,754,785 A * | 8/1973 | Anderson | A47L 13/52
248/99 | 5,335,952 A * | 8/1994 | Clapper | E01H 1/1206
294/1.4 |
| 3,810,670 A * | 5/1974 | Turi | E01H 1/1206
15/257.1 | 5,342,513 A * | 8/1994 | Wall | E04H 4/1609
15/1.7 |
| 3,819,220 A * | 6/1974 | Bredt | A01K 23/005
294/1.5 | 5,350,208 A * | 9/1994 | Heinrichson | E01H 1/1206
294/1.4 |
| 3,848,841 A * | 11/1974 | Rafeldt | B60N 3/08
248/99 | 5,385,376 A * | 1/1995 | Malaspina | E01H 1/1206
15/257.6 |
| 3,872,831 A * | 3/1975 | Cassidy | A01K 23/005
248/101 | D365,913 S * | 1/1996 | Ballard | D2/641 |
| 3,872,834 A * | 3/1975 | Fuhrman | A01K 15/003
119/801 | D367,682 S * | 3/1996 | Hermesmeyer | D21/457 |
| 3,937,509 A * | 2/1976 | Hufnagel | A01K 23/005
15/257.6 | 5,536,107 A * | 7/1996 | Baker | A01K 77/00
210/464 |
| 3,942,832 A * | 3/1976 | Haas, Jr. | A47L 13/52
248/101 | 5,538,302 A * | 7/1996 | Travis | B63B 21/54
294/209 |
| 4,003,595 A * | 1/1977 | Fano et al. | 294/19 | 5,540,470 A * | 7/1996 | Lu | E01H 1/1206
15/257.6 |
| 4,010,970 A * | 3/1977 | Campbell | A01K 23/005
294/1.5 | 5,758,917 A * | 6/1998 | Langley | 294/1.5 |
| 4,012,067 A * | 3/1977 | Travis | 294/19 | D404,184 S * | 1/1999 | Berrios | D34/6 |
| 4,013,563 A * | 3/1977 | Petrik | E04H 4/1609
15/1.7 | 5,868,447 A * | 2/1999 | Clark et al. | 294/1.4 |
| 4,048,691 A * | 9/1977 | Spangler | E01H 1/12
15/257.1 | D406,414 S * | 3/1999 | Adams | D30/162 |
| 4,050,177 A * | 9/1977 | Gerritsen | A01K 77/00
43/12 | D406,927 S * | 3/1999 | Feldmeier | D30/162 |
| 4,121,866 A * | 10/1978 | Schall | E01H 1/1206
294/1.4 | 6,039,370 A * | 3/2000 | Dooley, Jr. et al. | 294/1.5 |
| 4,123,056 A * | 10/1978 | Nakamatsu | A63B 53/0487
473/234 | D424,144 S * | 5/2000 | Sullivan | D21/721 |
| 4,138,111 A * | 2/1979 | Rule | A63B 59/20
473/513 | 6,068,311 A * | 5/2000 | Jones | E01H 1/1206
294/1.4 |
| 4,152,801 A * | 5/1979 | Lieber | E04H 4/1609
15/1.7 | 6,132,604 A * | 10/2000 | Kirchoff | E04H 4/1609
210/470 |
| 4,196,928 A * | 4/1980 | Spangler | A01D 51/00
15/104.8 | 6,386,606 B1 | 5/2002 | Marshall | 294/1.5 |
| 4,221,415 A * | 9/1980 | Ganz | E01H 1/1206
294/1.4 | D473,763 S * | 4/2003 | Jones | |
| 4,225,437 A * | 9/1980 | Woodard | E04H 4/1609
15/1.7 | 6,648,386 B2 * | 11/2003 | Rheinhardt | B65F 1/1415
248/99 |
| 4,257,636 A * | 3/1981 | Mainprice | E01H 1/1206
294/1.4 | D488,602 S * | 4/2004 | Pecci | D32/35 |
| 4,263,864 A * | 4/1981 | Carter, Jr. | A01K 77/00
114/221 R | 6,921,347 B1 * | 7/2005 | Morrow | A63B 59/20
473/513 |
| D267,593 S * | 1/1983 | Crawford | 294/1.4 | 7,044,868 B2 * | 5/2006 | Brine | A63B 59/20
473/513 |
| 4,457,549 A * | 7/1984 | Lowery | B65B 67/1238
294/1.4 | 7,077,443 B1 * | 7/2006 | Jones | A01K 23/005
294/1.4 |
| 4,466,647 A * | 8/1984 | Spevak | A01K 23/005
294/1.5 | 7,246,575 B2 * | 7/2007 | Goto | A01K 15/003
119/770 |
| 4,500,125 A * | 2/1985 | Olson | E01H 1/1206
294/1.4 | 7,374,135 B2 * | 5/2008 | Romero | B65B 67/12
248/95 |
| 4,548,372 A * | 10/1985 | Lutzker | A01D 51/00
141/390 | 7,624,530 B2 * | 12/2009 | Resch | A01K 77/00
43/12 |
| 4,759,519 A * | 7/1988 | Cheng | B65B 67/1238
248/125.3 | 7,631,910 B2 | 12/2009 | Shalhoub | 294/1.5 |
| 4,846,972 A * | 7/1989 | Anderson | E04H 4/1609
15/1.7 | 7,681,931 B2 * | 3/2010 | Demus | E01H 1/1206
294/1.4 |
| 4,913,677 A * | 4/1990 | Brasier | A63H 33/02
446/453 | D617,061 S * | 6/2010 | Su | D30/162 |
| 4,932,150 A * | 6/1990 | Sher | 43/11 | 7,753,322 B1 * | 7/2010 | Peterson | B65B 67/1233
248/100 |
| D316,619 S * | 4/1991 | Richarson | | D627,123 S * | 11/2010 | Schoniger | D34/6 |
| 5,031,948 A * | 7/1991 | Groth | B65B 67/1233
141/108 | 7,891,132 B2 * | 2/2011 | Hetzner | A01K 77/00
210/238 |
| 5,048,843 A * | 9/1991 | Dorfi | A63B 59/20
473/513 | D638,182 S * | 5/2011 | Rossano | D32/35 |
| 5,050,920 A * | 9/1991 | Potticary | B65B 67/12
15/257.1 | D638,183 S * | 5/2011 | Rossano | D32/35 |
| 5,137,623 A * | 8/1992 | Wall | E04H 4/1609
15/1.7 | 7,950,707 B1 | 5/2011 | La Polla | 294/1.5 |
| D330,444 S * | 10/1992 | Wall | D22/135 | 8,087,707 B1 * | 1/2012 | Hawkins | A47G 25/82
223/111 |
| | | | | 8,146,967 B1 * | 4/2012 | Brown | A01K 23/005
294/1.5 |
| | | | | 8,267,358 B1 * | 9/2012 | Letson | B65B 67/1238
248/101 |
| | | | | D697,282 S * | 1/2014 | James | D34/5 |
| | | | | 8,631,810 B2 * | 1/2014 | Blood | A45B 9/04
135/66 |
| | | | | 8,684,323 B2 * | 4/2014 | McConnell | B65B 67/1227
220/495.08 |
| | | | | 8,684,429 B1 | 4/2014 | Holub | 294/1.4 |
| | | | | D725,345 S * | 3/2015 | Davis | D2/641 |
| | | | | D727,447 S * | 4/2015 | Sangimino | D21/721 |
| | | | | 9,038,248 B1 | 5/2015 | Linn | A01K 23/005 |
| | | | | 9,061,781 B2 * | 6/2015 | Palmer | B65B 67/1238 |
| | | | | D734,901 S | 7/2015 | Milan | D30/162 |

(56)

References Cited

U.S. PATENT DOCUMENTS

2002/0008392	A1 *	1/2002	Harrison	E01H 1/1206 294/1.4	2008/0096699	A1 *	4/2008	Yearick	A63B 59/20 473/505
2002/0021012	A1 *	2/2002	Roye	B65B 67/1205 294/214	2009/0152884	A1 *	6/2009	Ruscil	B65G 7/12 294/1.5
2002/0038956	A1 *	4/2002	Ditzik	A01G 1/125 294/1.4	2009/0293337	A1 *	12/2009	Arita	A01K 77/00 43/8
2003/0085581	A1 *	5/2003	Jemison	E01H 1/1206 294/1.4	2010/0200709	A1 *	8/2010	Wilkinson	B65B 67/1238 248/99
2004/0174026	A1 *	9/2004	Sampaio	E01H 1/1206 294/1.4	2010/0237203	A1 *	9/2010	Romero	B65B 67/12 248/99
2006/0005452	A1 *	1/2006	McIntyre	A01K 77/00 43/11	2010/0314893	A1 *	12/2010	Pearson	A63B 47/02 294/19.2
2006/0145492	A1 *	7/2006	Kaas	A01K 23/005 294/1.5	2013/0062895	A1 *	3/2013	Groth	A01K 29/00 294/1.3
2006/0152023	A1 *	7/2006	Owens, III	B65B 67/1238 294/214	2013/0082470	A1 *	4/2013	Seiko	A01K 23/005 294/1.5
2006/0181091	A1 *	8/2006	Zelon	A01K 23/005 294/1.5	2013/0343677	A1 *	12/2013	Faraone	A47L 13/52 383/33
2006/0214442	A1 *	9/2006	Jones	A01K 23/005 294/1.4	2014/0062109	A1 *	3/2014	Olivera	E01H 1/1206 294/1.5
2007/0046045	A1 *	3/2007	Yilmaz	A01K 23/005 294/1.4	2014/0152030	A1 *	6/2014	Van Halder	E01H 1/1206 294/1.3
2007/0085357	A1 *	4/2007	Vafaei	A01K 23/005 294/1.4	2016/0047096	A1 *	2/2016	Held	E01H 1/1206 294/1.4
						2016/0050885	A1 *	2/2016	Brasuel	A01K 23/005 294/1.5

* cited by examiner

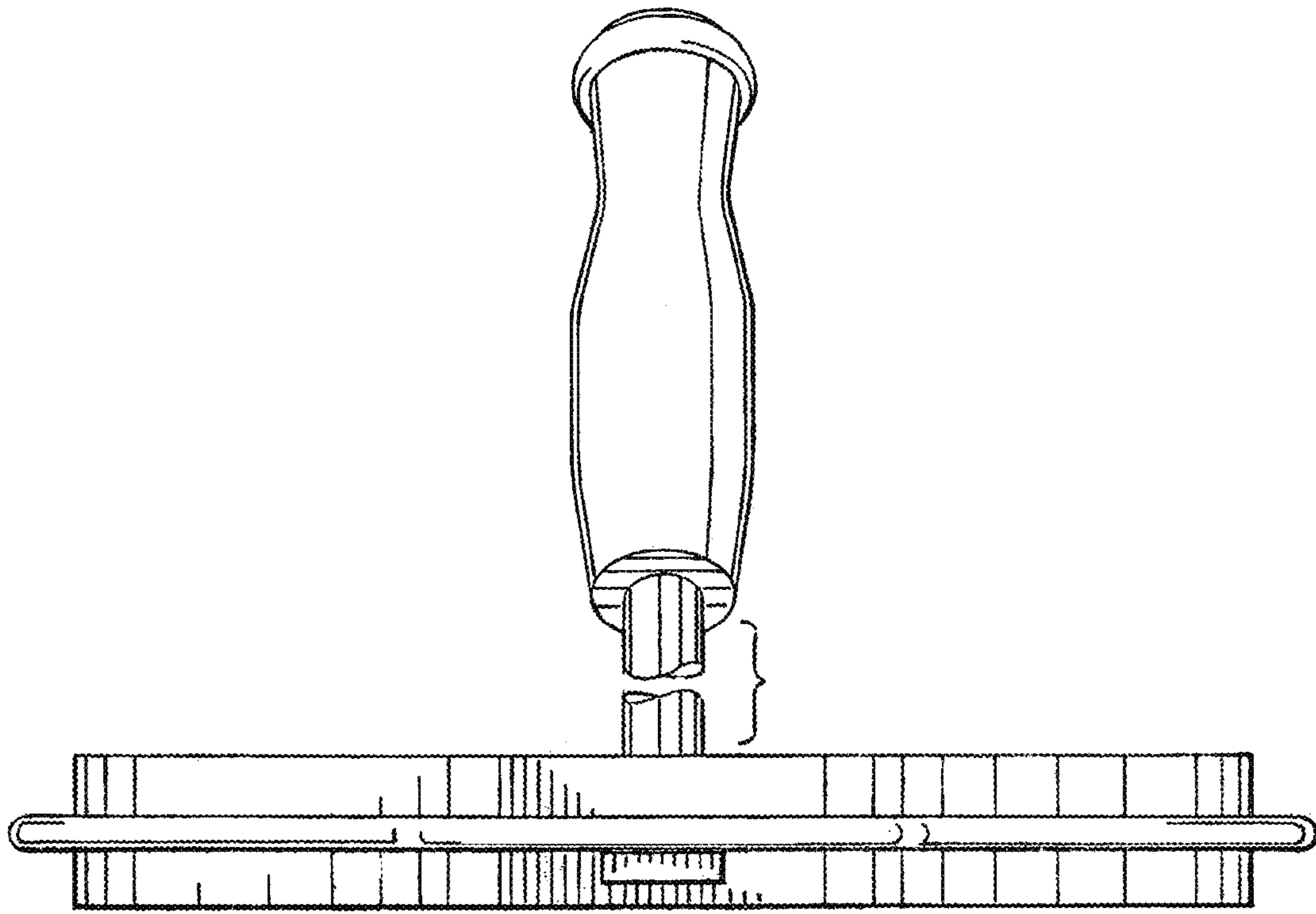


FIG. 1

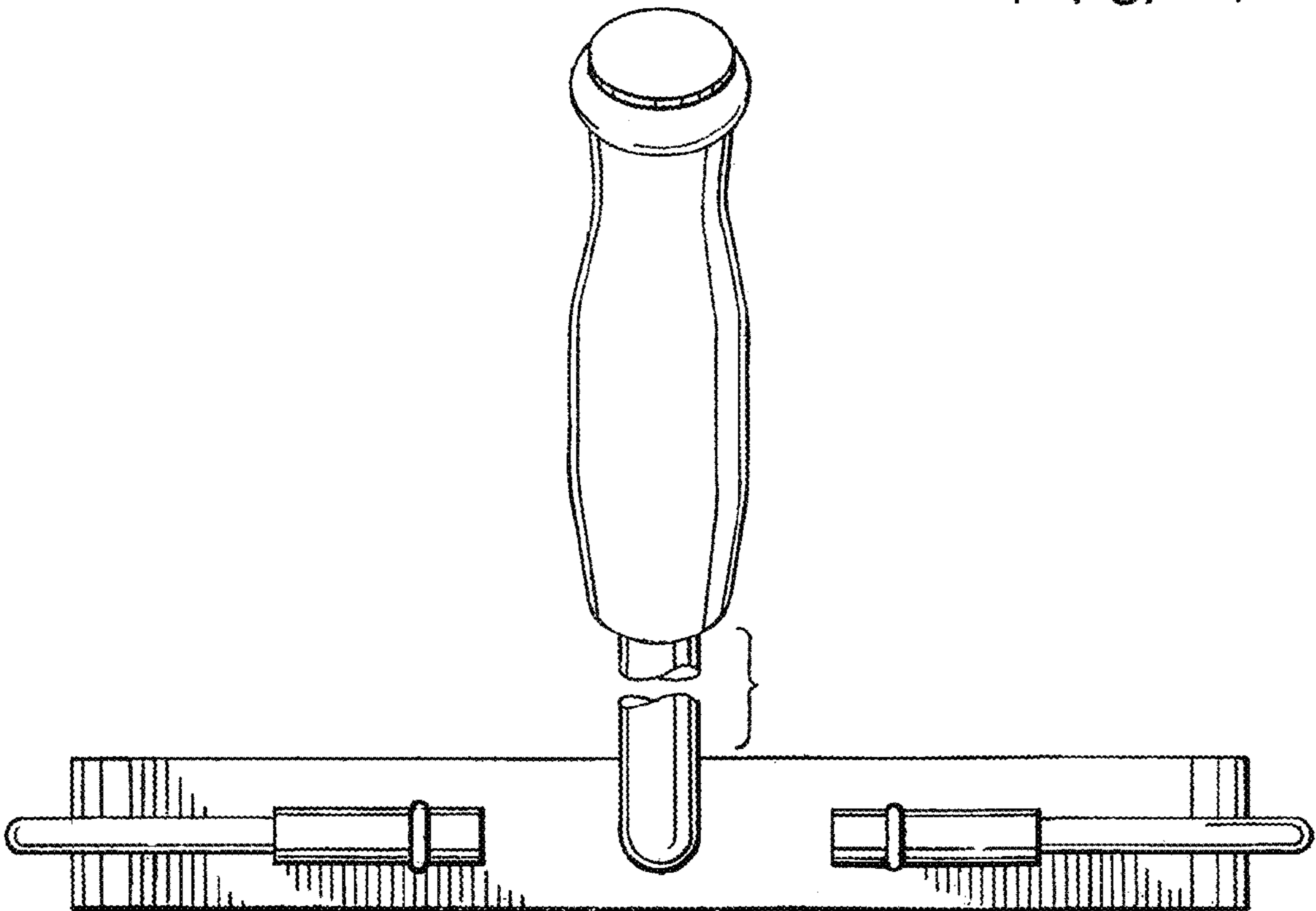


FIG. 2

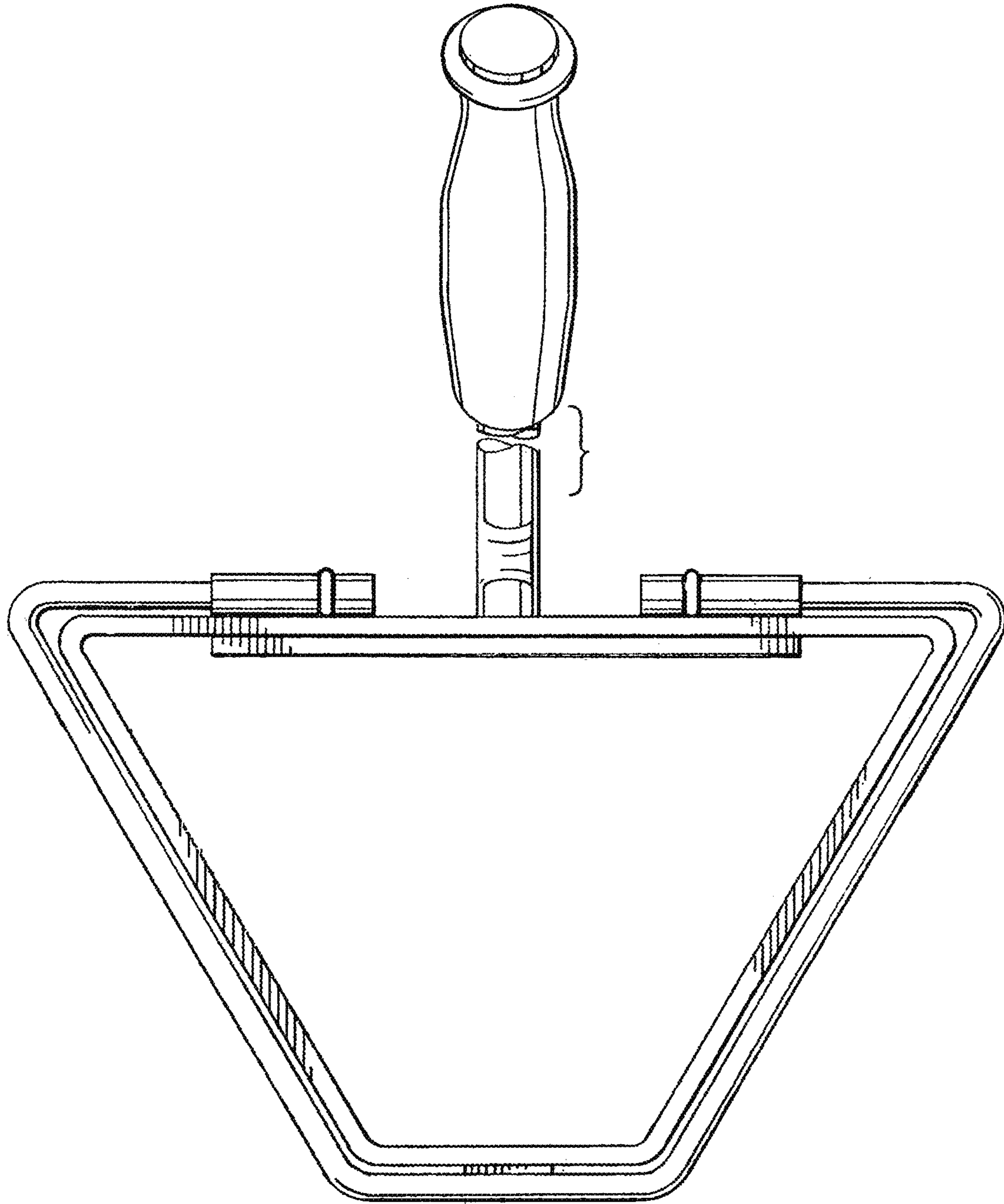


FIG. 3

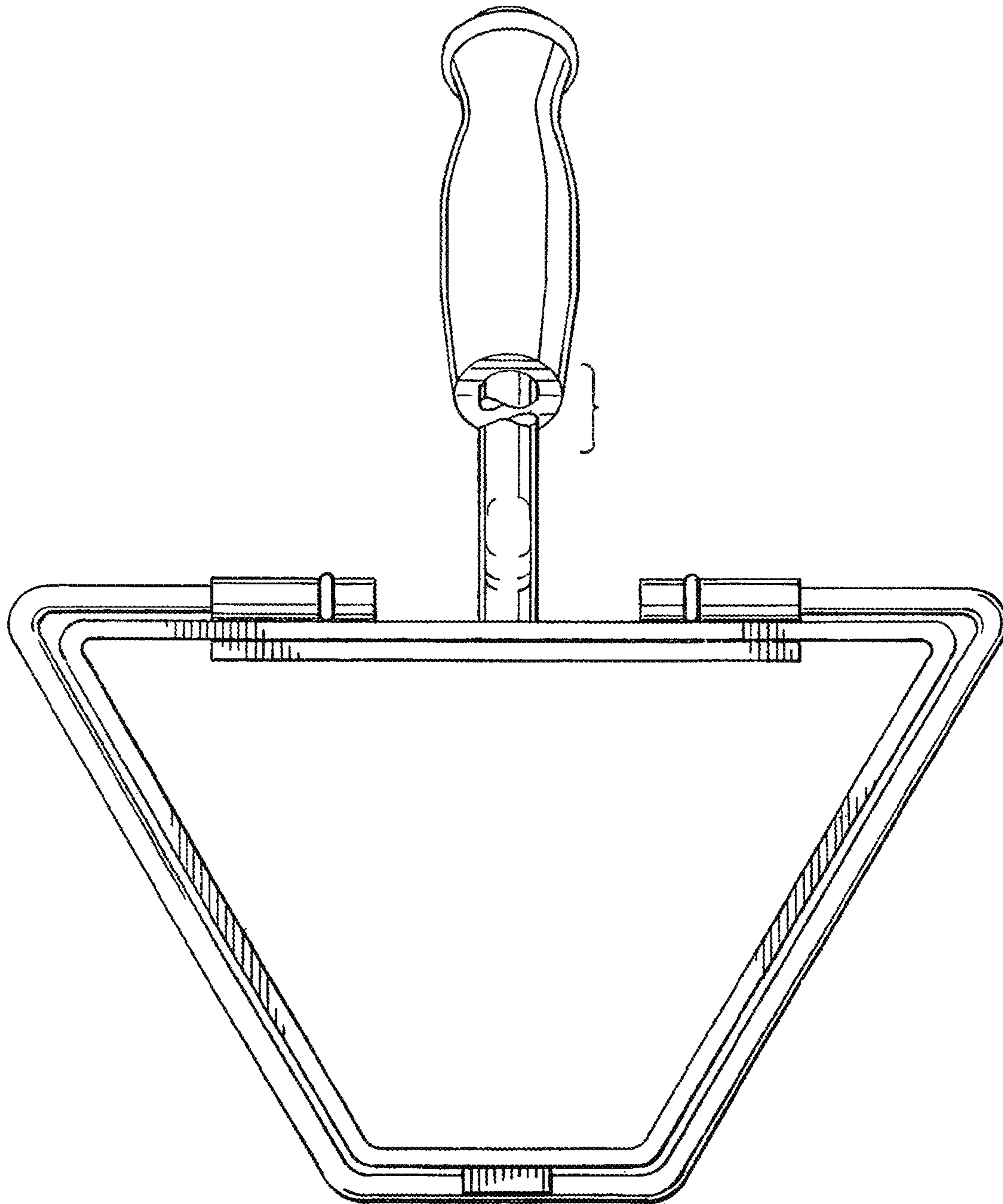


FIG. 4

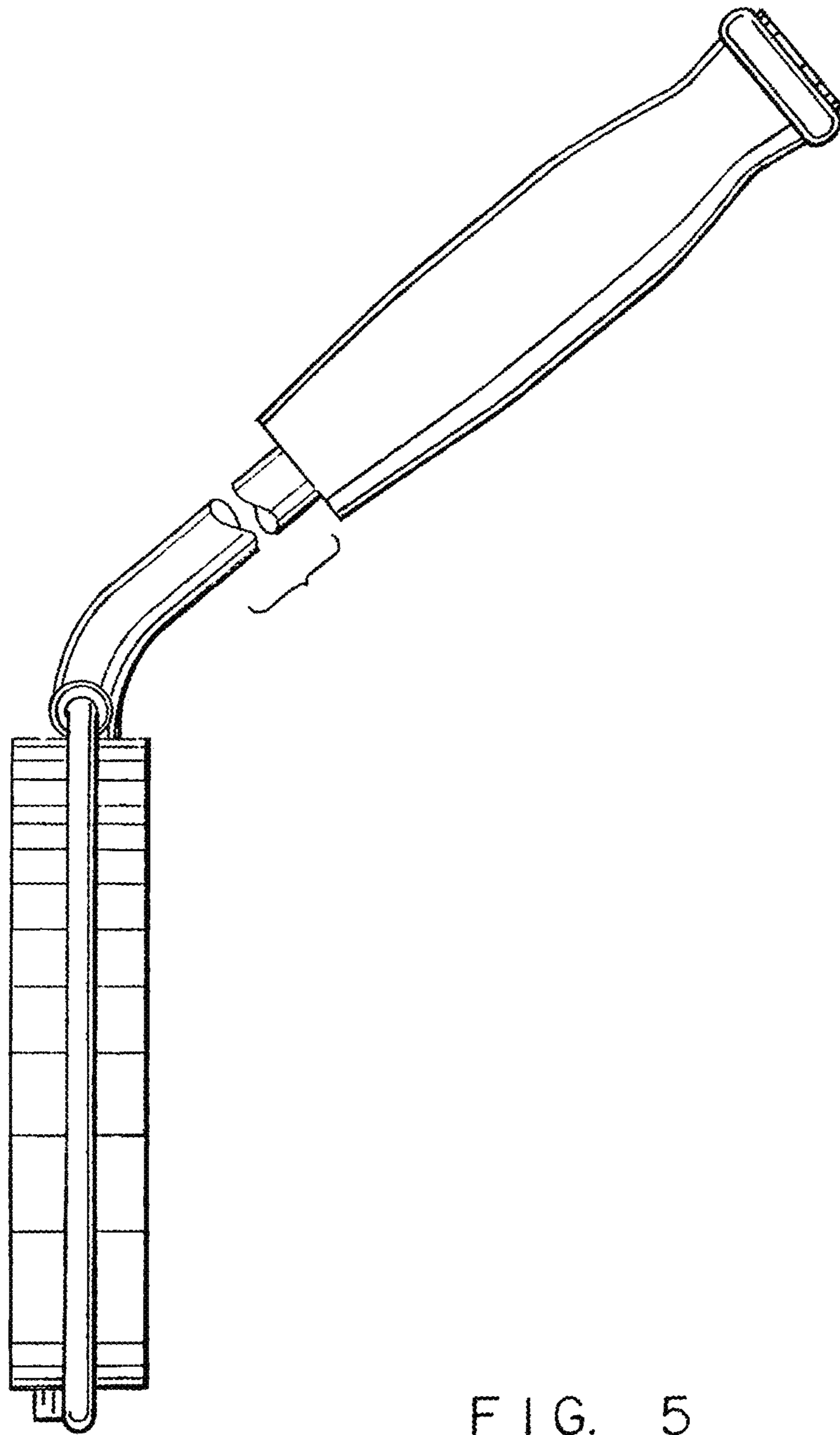


FIG. 5

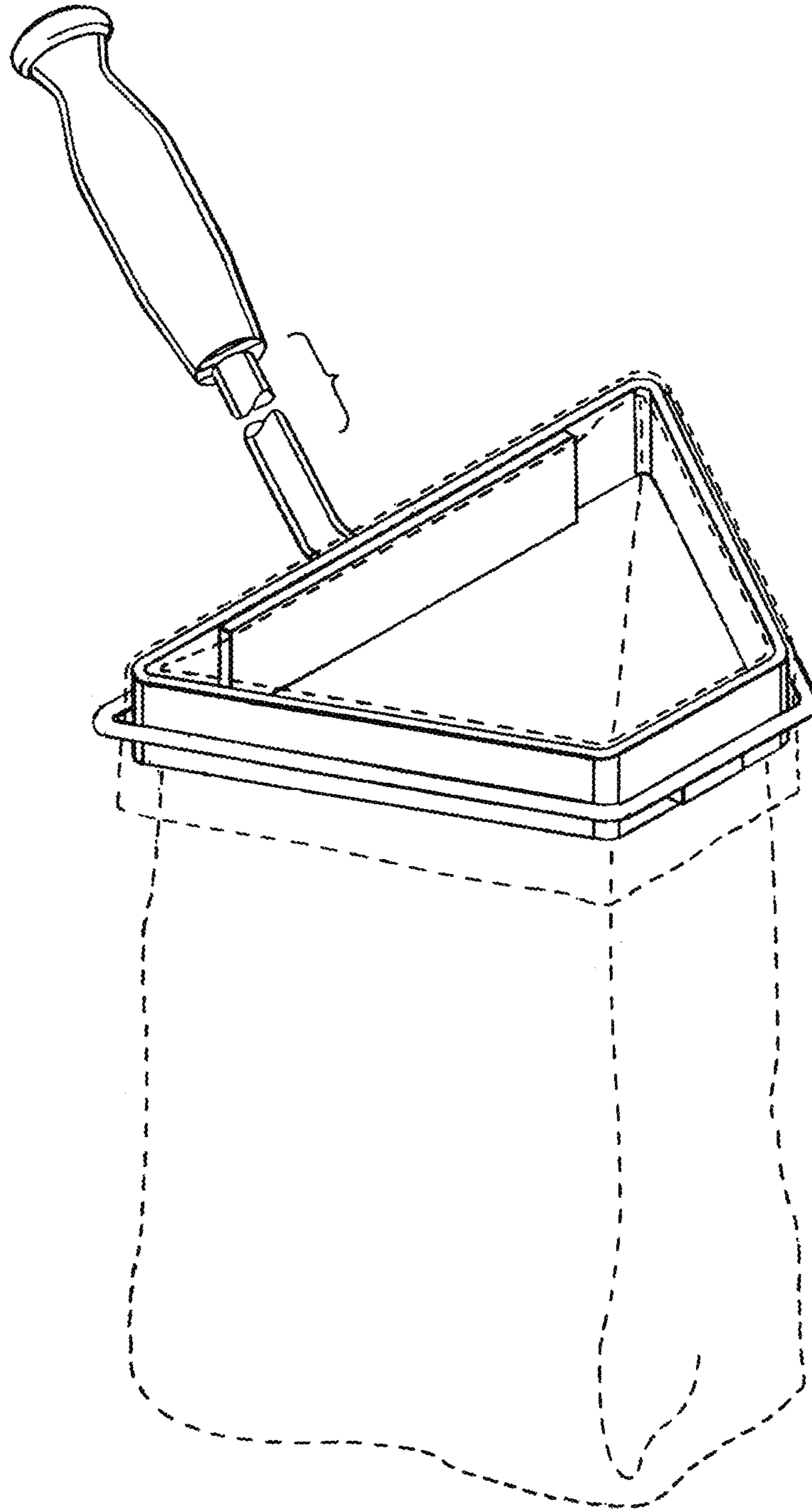


FIG. 6