



US00D762927S

(12) **United States Design Patent**
Perryman

(10) **Patent No.:** **US D762,927 S**

(45) **Date of Patent:** **** Aug. 2, 2016**

- (54) **FOREARM PET LEASH**
- (71) Applicant: **Jamaal Sabiere Perryman**, Los Angeles, CA (US)
- (72) Inventor: **Jamaal Sabiere Perryman**, Los Angeles, CA (US)
- (**) Term: **14 Years**
- (21) Appl. No.: **29/519,257**
- (22) Filed: **Mar. 3, 2015**
- (51) **LOC (10) Cl.** **30-04**
- (52) **U.S. Cl.**
USPC **D30/153**
- (58) **Field of Classification Search**
USPC D30/144, 151, 152, 153, 199; D3/231;
D8/300, 305, 308, 313; D15/18;
119/712, 720, 769, 770, 776, 792, 794,
119/795, 796, 797, 798; 441/69; 242/377,
242/381.2
CPC A01K 27/003
See application file for complete search history.

- 2009/0235873 A1* 9/2009 Gould A01K 27/00
119/770
- 2012/0210950 A1* 8/2012 Stanley A01K 27/003
119/770
- 2014/0238311 A1* 8/2014 Lewis A01K 27/003
119/770

OTHER PUBLICATIONS

“3rd Hand Leash”. Found online Apr. 8, 2016 at amazon.com. Page dated Nov. 3, 2012. Retrieved from http://www.amazon.com/Leash-Hands-free-Sport-Armband-Shuffle/dp/B0056NQJFG/ref=cm_cr_ar_p_d_product_top?ie=UTF8.*

“Hurttas’s Jogging Leash”. Found online Apr. 8, 2016 at ppwholesale.wordpress.com. Page dated Nov. 7, 2014. Retrieved from <https://ppwholesale.wordpress.com/2014/11/07/hurttas-jogging-leash-be-hands-free-but-still-in-control/>.*

“Kinderkord: A Safe Way to Stay Connected”. Found online Apr. 8, 2016 at kinderkord.com. Page dated Aug. 28, 2008. Retrieved from <http://web.archive.org/web/20080828033724/http://www.kinderkord.com/>.*

* cited by examiner

Primary Examiner — Robert M Spear
Assistant Examiner — Kendra L Hamilton

(56) **References Cited**

U.S. PATENT DOCUMENTS

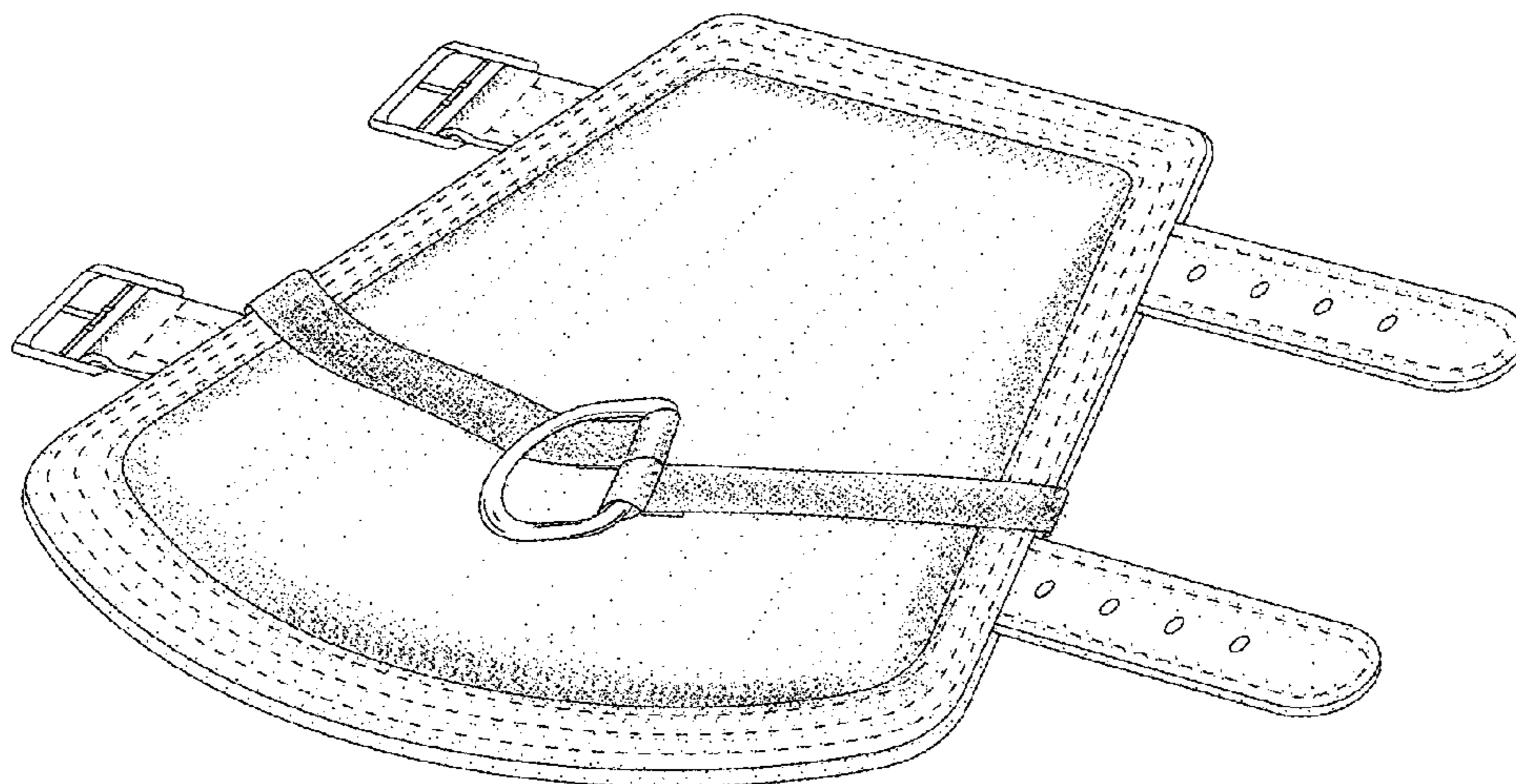
- 4,373,213 A * 2/1983 Erlandson A41D 13/08
2/16
- 4,422,455 A * 12/1983 Olsen A61F 5/3761
128/878
- 4,707,861 A * 11/1987 Lavoie A41D 13/08
2/16
- D337,395 S * 7/1993 Erlinger 119/795
- D354,158 S * 1/1995 Trudeau D30/153
- 6,095,093 A * 8/2000 Kisko A01K 27/00
119/770
- D519,686 S * 4/2006 Alameddine D30/153
- D671,690 S * 11/2012 Brady D29/120.1
- D728,866 S * 5/2015 Boehler D30/144
- 2008/0072844 A1* 3/2008 Konigsberg A01K 27/00
119/770

(57) **CLAIM**
The ornamental design for forearm pet leash, as shown and described.

DESCRIPTION

FIG. 1 is a rear elevational view showing my new design;
FIG. 2 is a front elevational view thereof;
FIG. 3 is a top plan view thereof;
FIG. 4 is a bottom plan view thereof;
FIG. 5 is a right side elevational view thereof;
FIG. 6 is a left side elevational view thereof; and,
FIG. 7 is a perspective view of a forearm pet leash.
The broken lines represent stitching that forms part of the claimed design.

1 Claim, 7 Drawing Sheets



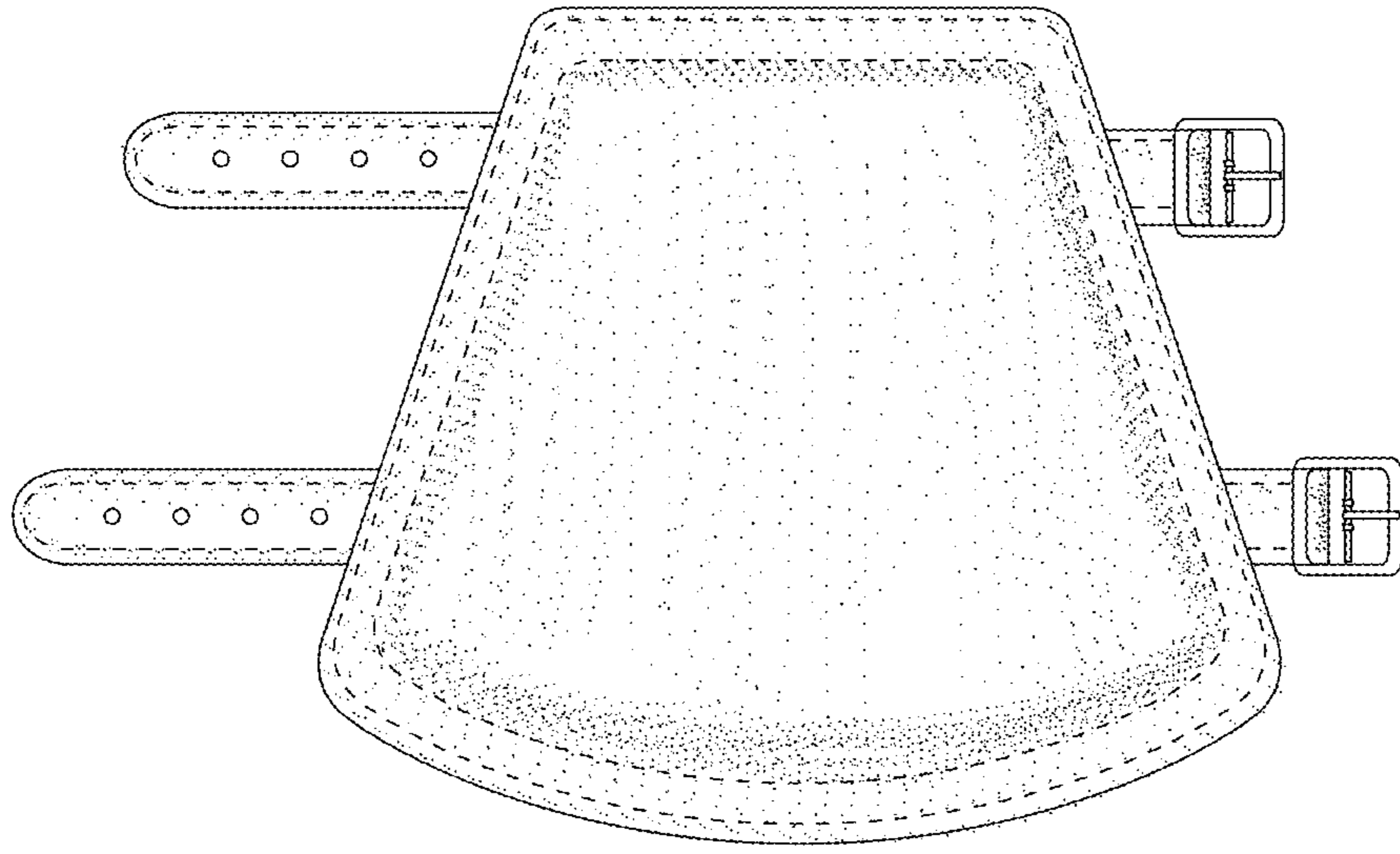


FIG. 1

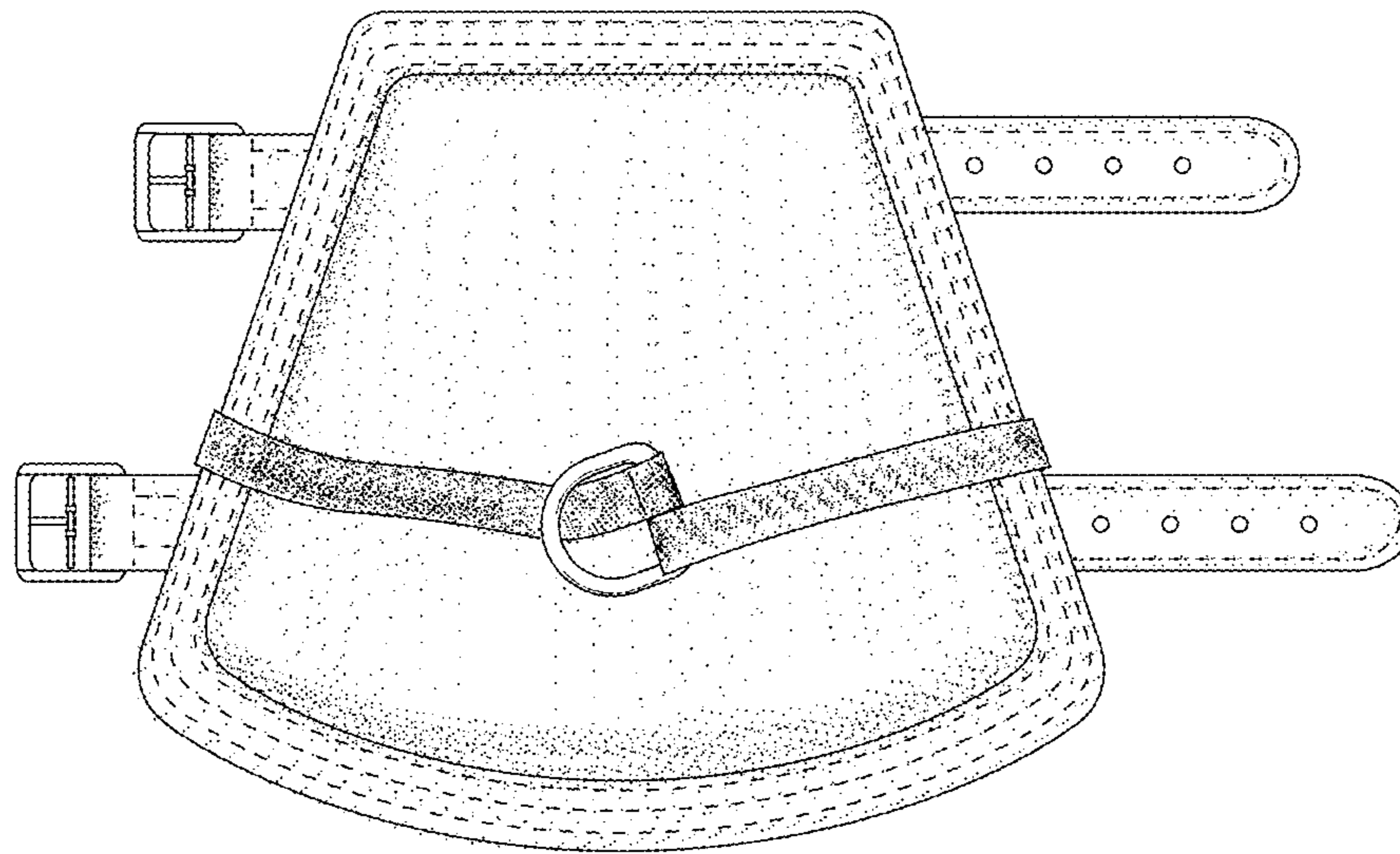


FIG. 2



FIG. 3

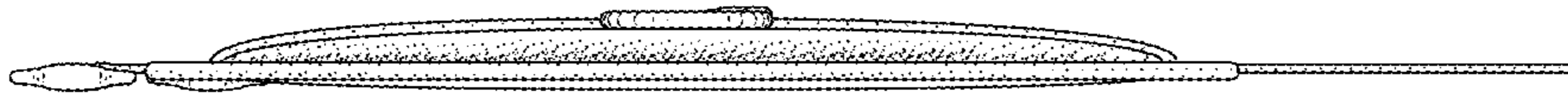


FIG. 4

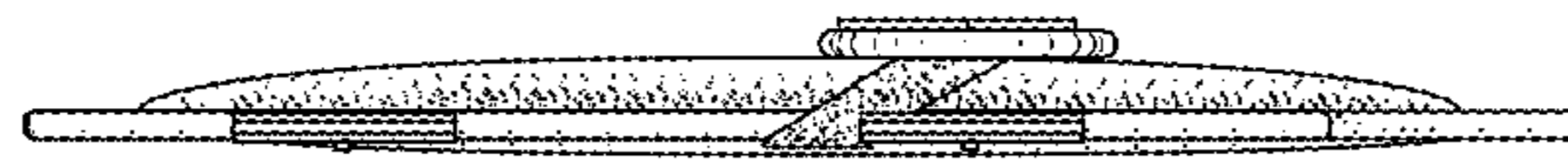


FIG. 5



FIG. 6

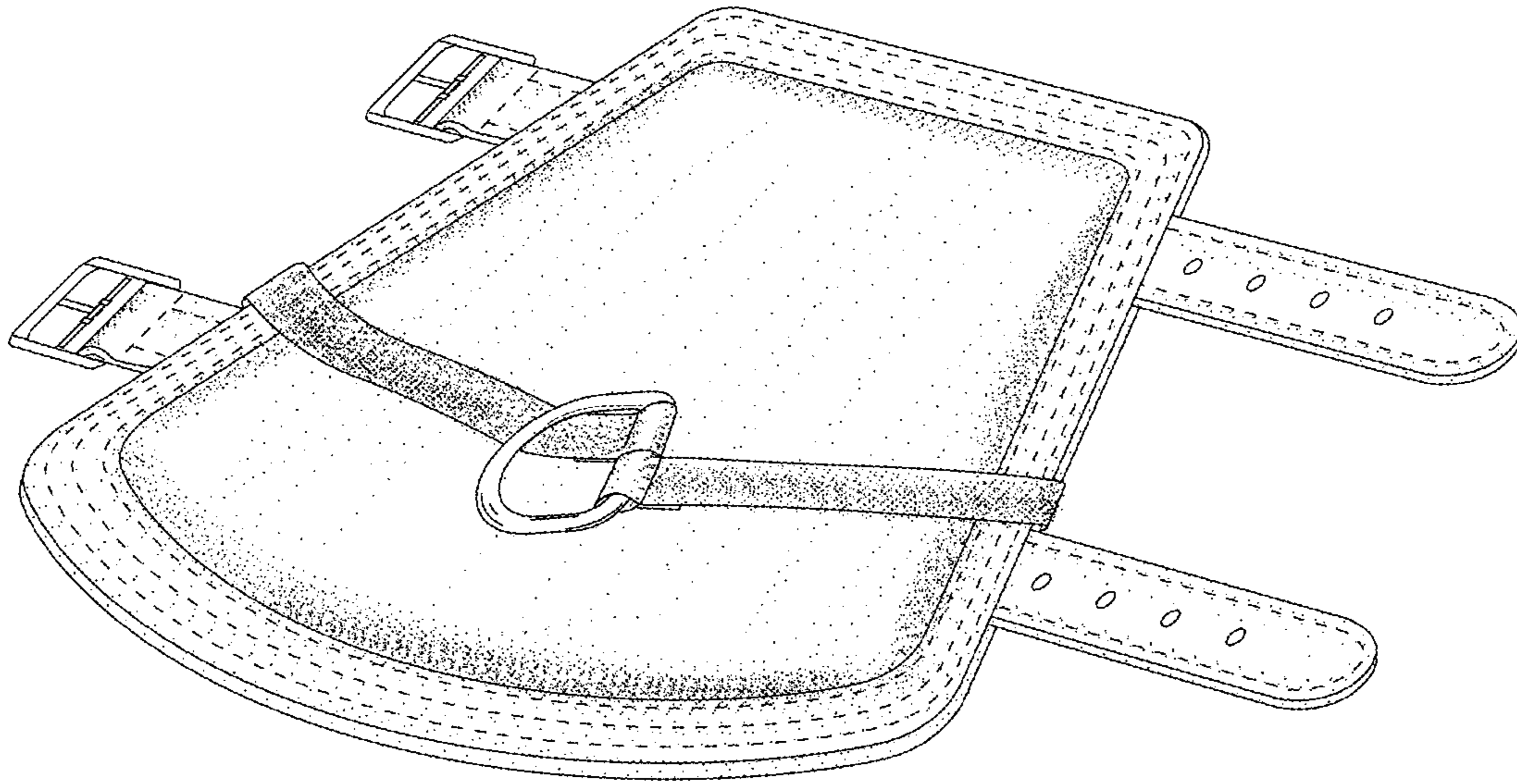


FIG. 7