



US00D762922S

(12) **United States Design Patent**  
**Psimadas et al.**

(10) **Patent No.:** **US D762,922 S**

(45) **Date of Patent:** **\*\* Aug. 2, 2016**

(54) **SHAVER HANDLE**

(71) Applicant: **Societe BIC**, Clichy (FR)

(72) Inventors: **Yiannis Marios Psimadas**, Athens (GR); **Efstratios Christofidelis**, Kifisia (GR); **Giorgos Georgakis**, Melisia (GR)

(73) Assignee: **Societe BIC**, Clichy (FR)

(\*\*) Term: **14 Years**

(21) Appl. No.: **29/499,276**

(22) Filed: **Aug. 13, 2014**

(30) **Foreign Application Priority Data**

Jun. 27, 2014 (EM) ..... 002491910-0001

(51) **LOC (10) Cl.** ..... **28-03**

(52) **U.S. Cl.**  
USPC ..... **D28/48**

(58) **Field of Classification Search**  
USPC ..... D28/44-48  
CPC ..... B62B 21/00-21/12; B62B 21/14;  
B62B 21/16; B62B 21/165; B62B 21/18;  
B62B 21/185; B62B 21/20-21/227; B62B  
21/24; B62B 21/28; B62B 21/30; B62B  
21/32; B62B 21/40; B62B 21/4062; B62B  
21/4068; B62B 21/4075; B62B 21/52-21/528

See application file for complete search history.

(56) **References Cited**

U.S. PATENT DOCUMENTS

D534,316 S \* 12/2006 Bozikis et al. .... D28/48  
D636,938 S \* 4/2011 White et al. .... D28/48  
D662,664 S \* 6/2012 Hasegawa ..... D28/48  
D664,715 S \* 7/2012 Wain et al. .... D28/48  
D699,395 S \* 2/2014 Bae ..... D28/48  
D730,577 S \* 5/2015 Mahony et al. .... D28/46

\* cited by examiner

*Primary Examiner* — Jennifer Rivard

(74) *Attorney, Agent, or Firm* — The H.T. Than Law Group

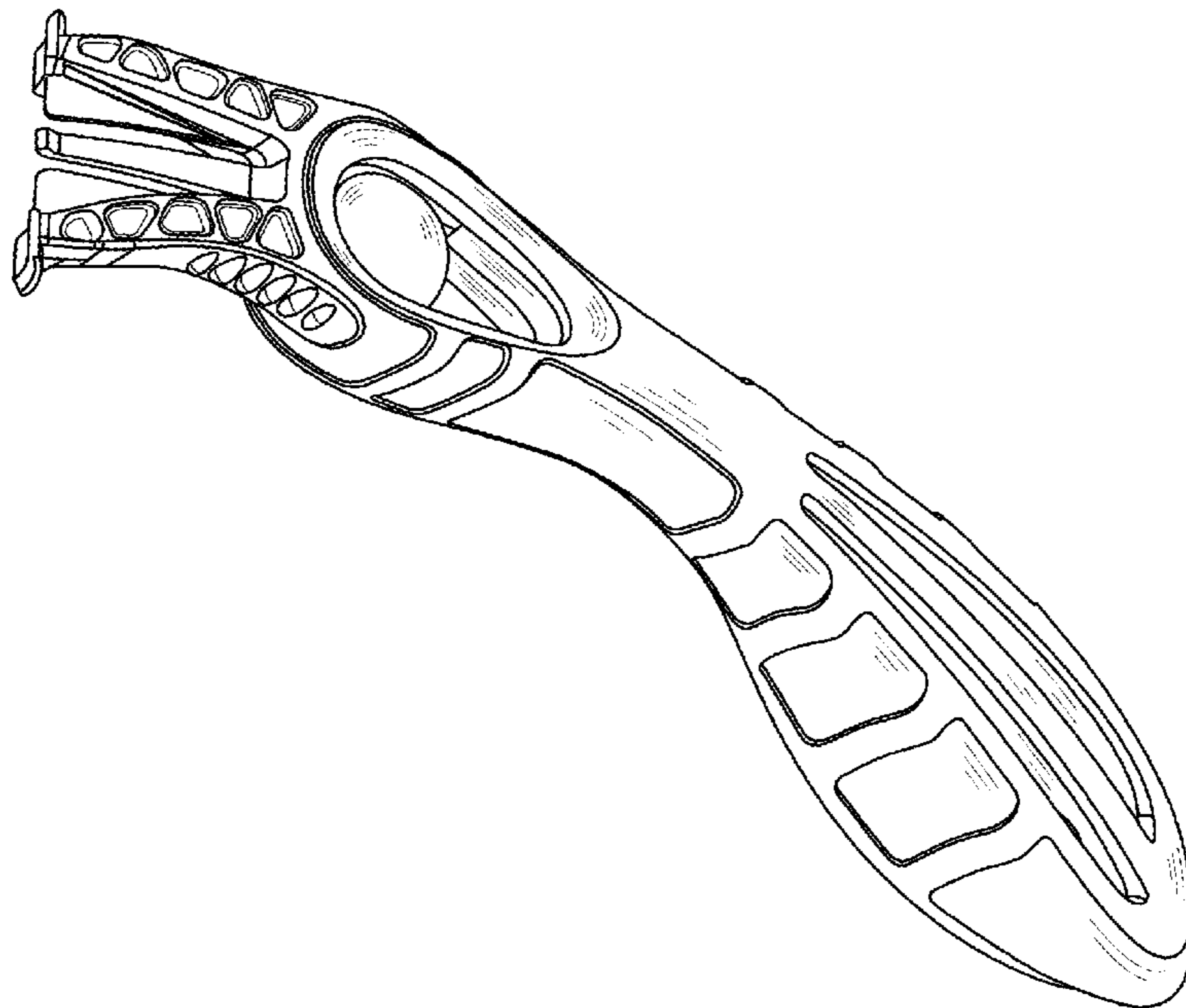
(57) **CLAIM**

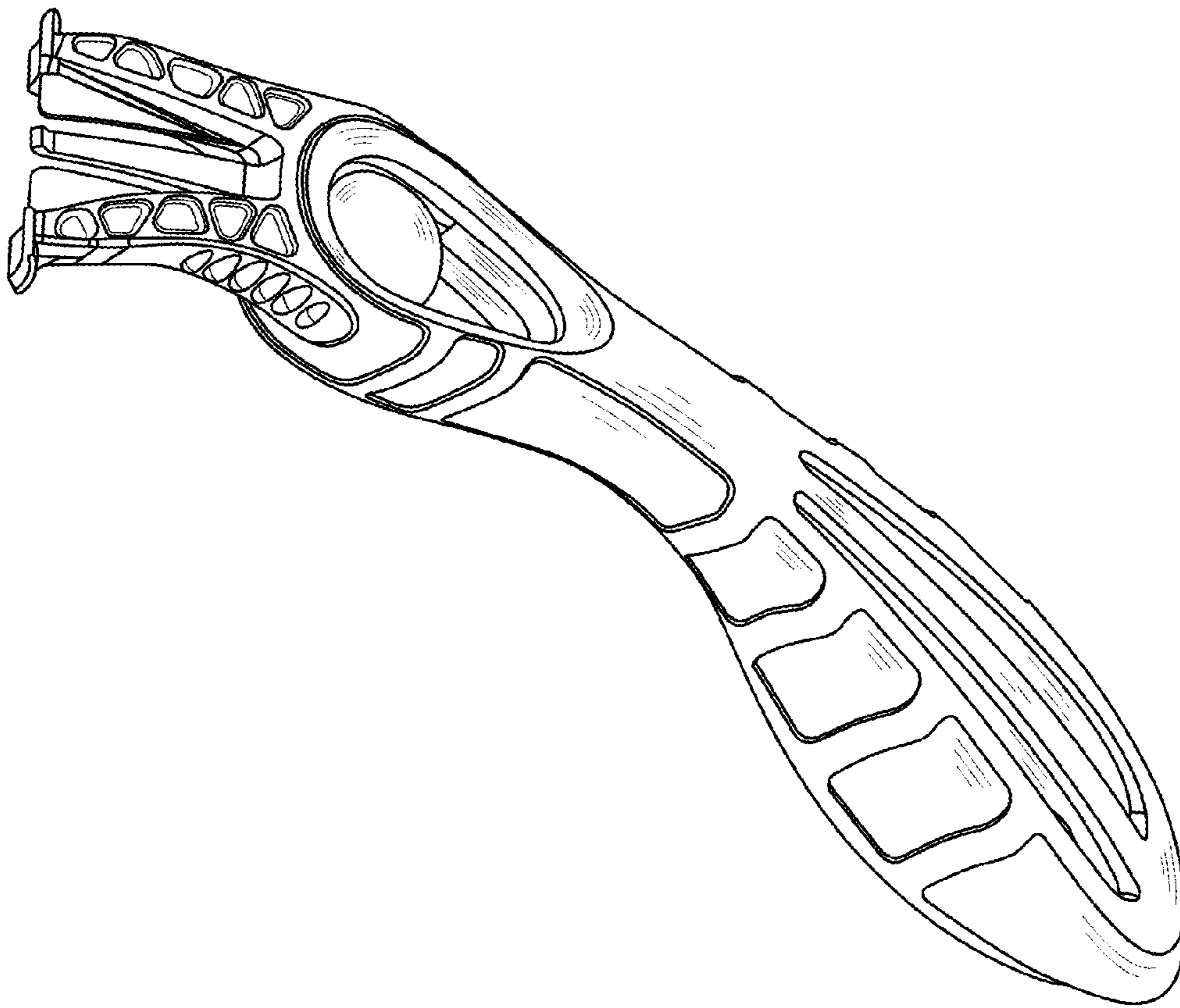
The ornamental design for a shaver handle, as shown and described.

**DESCRIPTION**

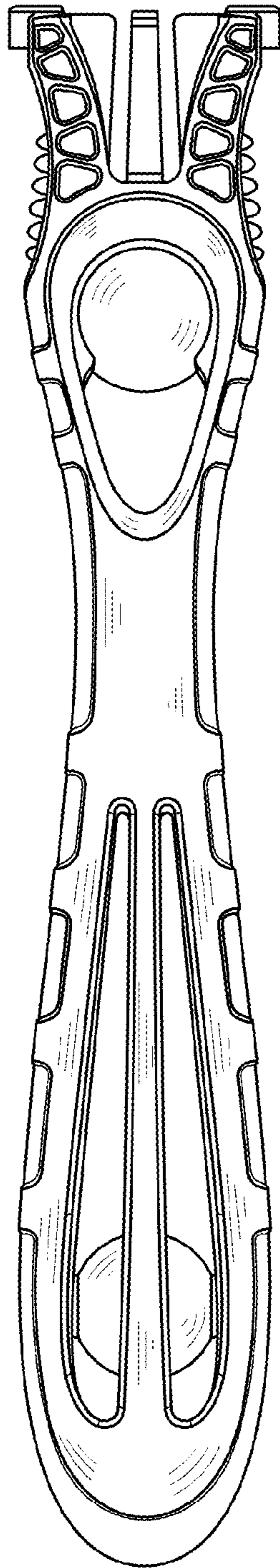
FIG. 1 is perspective view of an ornamental design for a shaver handle according to the present invention;  
FIG. 2 is a front elevational view thereof;  
FIG. 3 is a rear elevational view thereof;  
FIG. 4 is a right side view thereof;  
FIG. 5 is a left side view thereof;  
FIG. 6 is a top view thereof; and,  
FIG. 7 is a bottom view thereof.

**1 Claim, 7 Drawing Sheets**

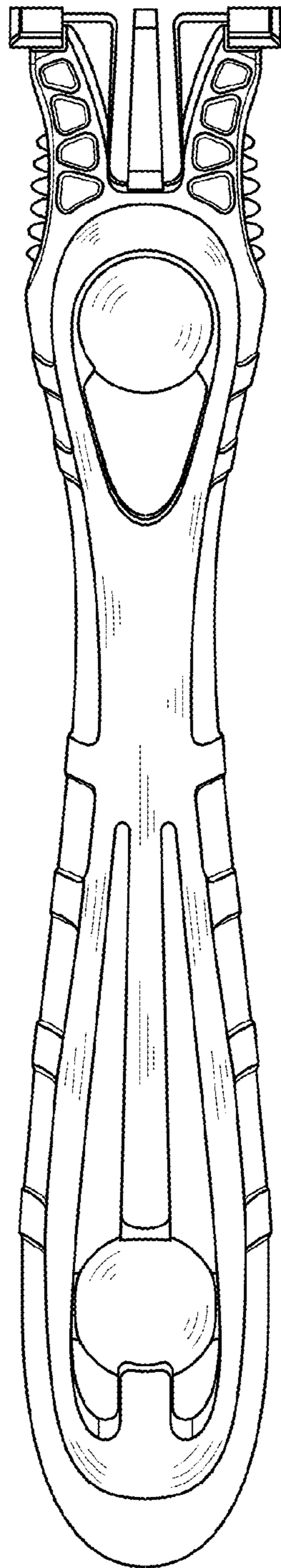




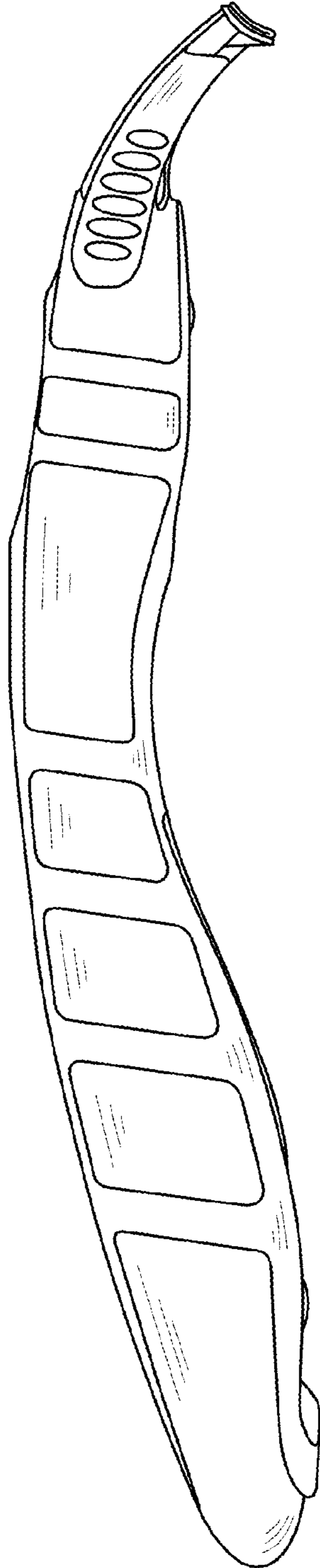
*Fig. 1*



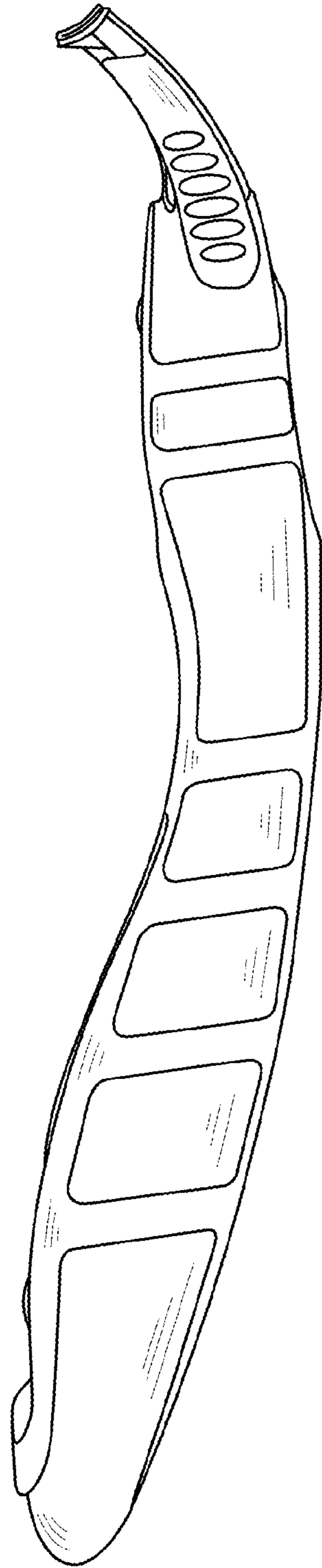
**Fig. 2**



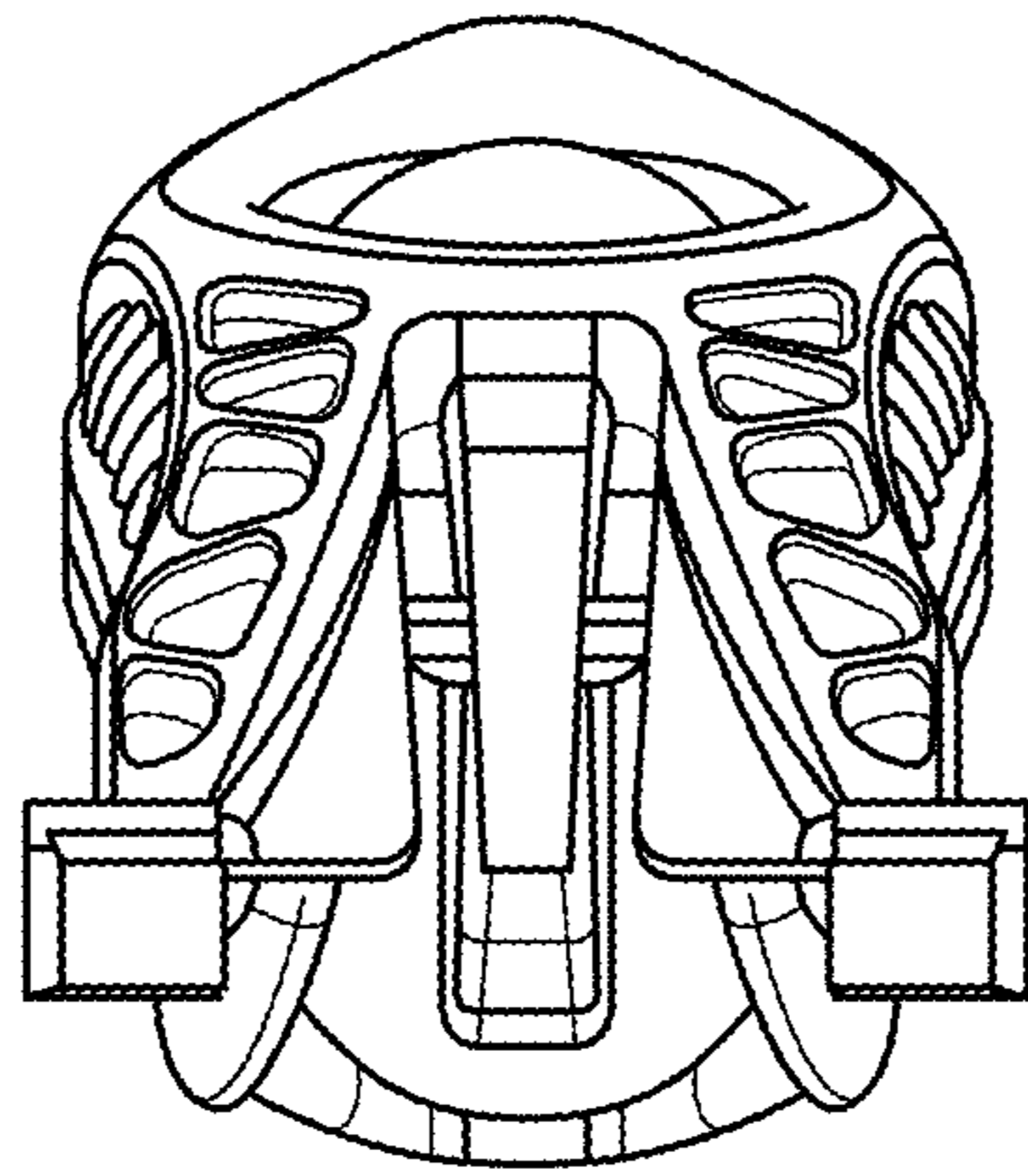
**Fig. 3**



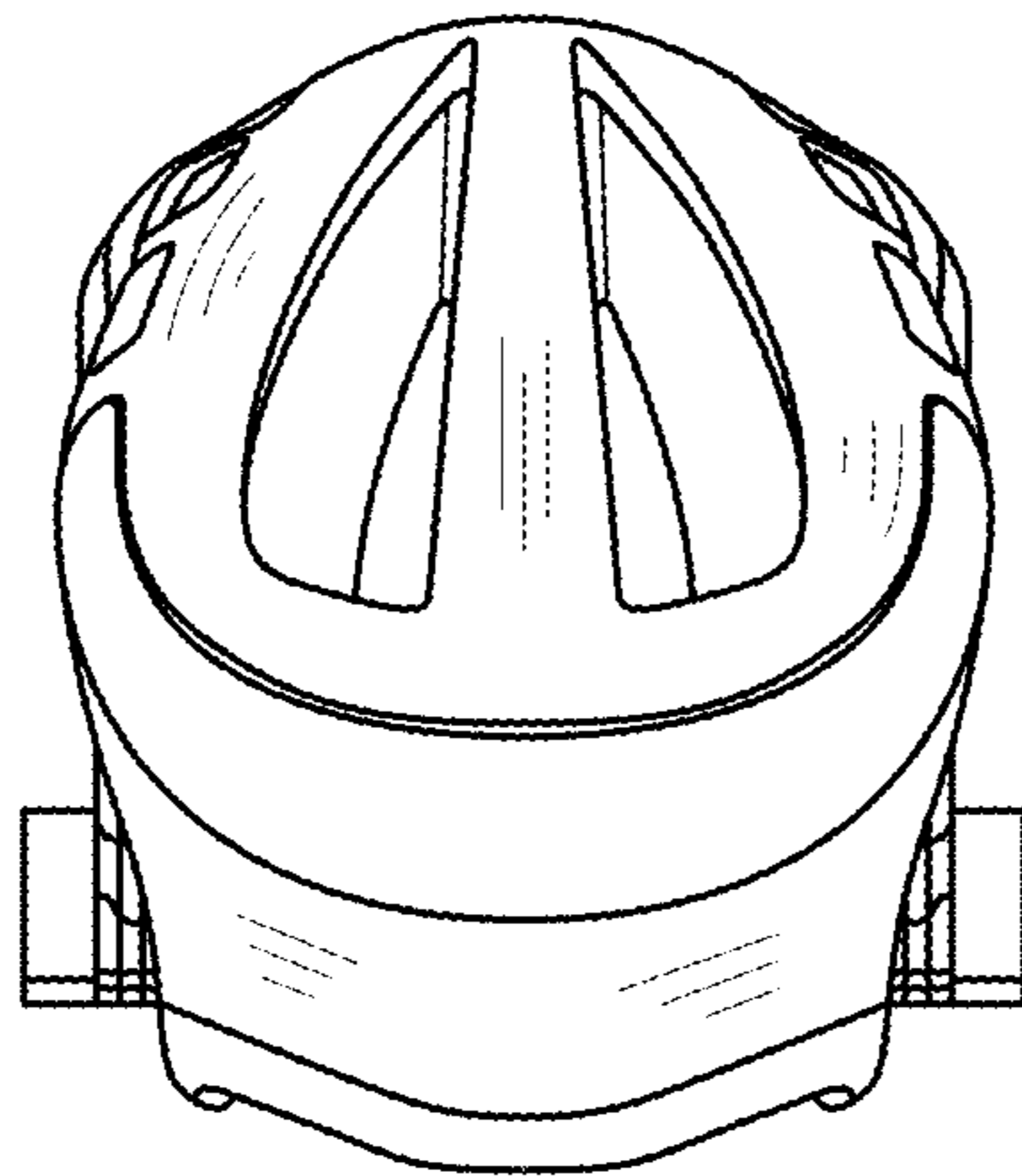
**Fig. 4**



**Fig. 5**



**Fig. 6**



*Fig. 7*