

US00D762919S

(12) **United States Design Patent**  
**Bauer et al.**

(10) **Patent No.:** **US D762,919 S**  
(45) **Date of Patent:** **\*\* Aug. 2, 2016**

(54) **COSMETIC PENCIL**

(71) Applicant: **SCHWAN-STABILO COSMETICS GMBH & CO. KG**, Heroldsberg (DE)

(72) Inventors: **Reinhard Bauer**, Roßtal (DE); **Thomas Heidenreiter**, Nürnberg (DE); **Ralph Schmidt**, Roßtal (DE)

(\*\*) Term: **15 Years**

(21) Appl. No.: **35/500,023**

(22) Filed: **May 13, 2015**

(80) **Hague Agreement Data**

Int. Filing Date: **May 13, 2015**  
 Int. Reg. No.: **DM/086634**  
 Int. Reg. Date: **May 13, 2015**  
 Int. Reg. Pub. Date: **Jun. 26, 2015**

(51) **LOC (10) Cl.** ..... **28-02**

(52) **U.S. Cl.**  
 USPC ..... **D28/7**

(58) **Field of Classification Search**  
 USPC ..... D28/4, 7, 8; D19/23, 101, 108, 115, D19/120, 123, 160, 192, 198, 200, 201, D19/204; D9/529, 723-729; 24/11 R, 11 F, 24/11 P; 401/52, 99, 100, 104-109, 192, 401/195, 196  
 CPC ..... A45D 40/26; B43K 29/00; B43K 29/10; B43K 5/16; B43K 21/00; B43K 1/00; B43K 8/00; B43K 25/02  
 See application file for complete search history.

D306,494 S \* 3/1990 Bajusz ..... D28/7  
 D306,914 S \* 3/1990 Shinohara ..... D28/7  
 D307,063 S \* 4/1990 Lin ..... D28/7  
 D307,332 S \* 4/1990 Dahm ..... D28/7  
 D311,258 S \* 10/1990 Jankewitz ..... D28/7  
 D318,538 S \* 7/1991 Shinohara ..... D28/7  
 D324,997 S \* 3/1992 Jones ..... D28/82  
 D335,086 S \* 4/1993 Wacker ..... D9/504  
 5,897,264 A \* 4/1999 Baudino ..... B43K 1/00  
 401/198  
 6,409,407 B1 \* 6/2002 Schweizer ..... B43K 19/16  
 362/118  
 D551,569 S \* 9/2007 Tanaka ..... D9/724  
 D639,998 S \* 6/2011 Liu ..... D19/901  
 D660,513 S \* 5/2012 Palo ..... D28/4  
 D686,366 S \* 7/2013 Ruiz, Sr. .... D28/7  
 D686,367 S \* 7/2013 Ruiz, Sr. .... D28/7  
 2008/0008518 A1 \* 1/2008 Poaps ..... B43K 29/12  
 401/195  
 2011/0013966 A1 \* 1/2011 Ballot ..... B43K 5/1845  
 401/108  
 2014/0064820 A1 \* 3/2014 Mach ..... B43K 7/03  
 401/52  
 2014/0112696 A1 \* 4/2014 Osborne ..... B43K 23/001  
 401/195  
 2015/0359316 A1 \* 12/2015 Miyamoto ..... A45D 34/04  
 401/192

\* cited by examiner

*Primary Examiner* — Barbara Fox  
*Assistant Examiner* — Holly E Thurman

(57) **CLAIM**  
The ornamental design for a cosmetic pencil, as shown and described.

(56) **References Cited**

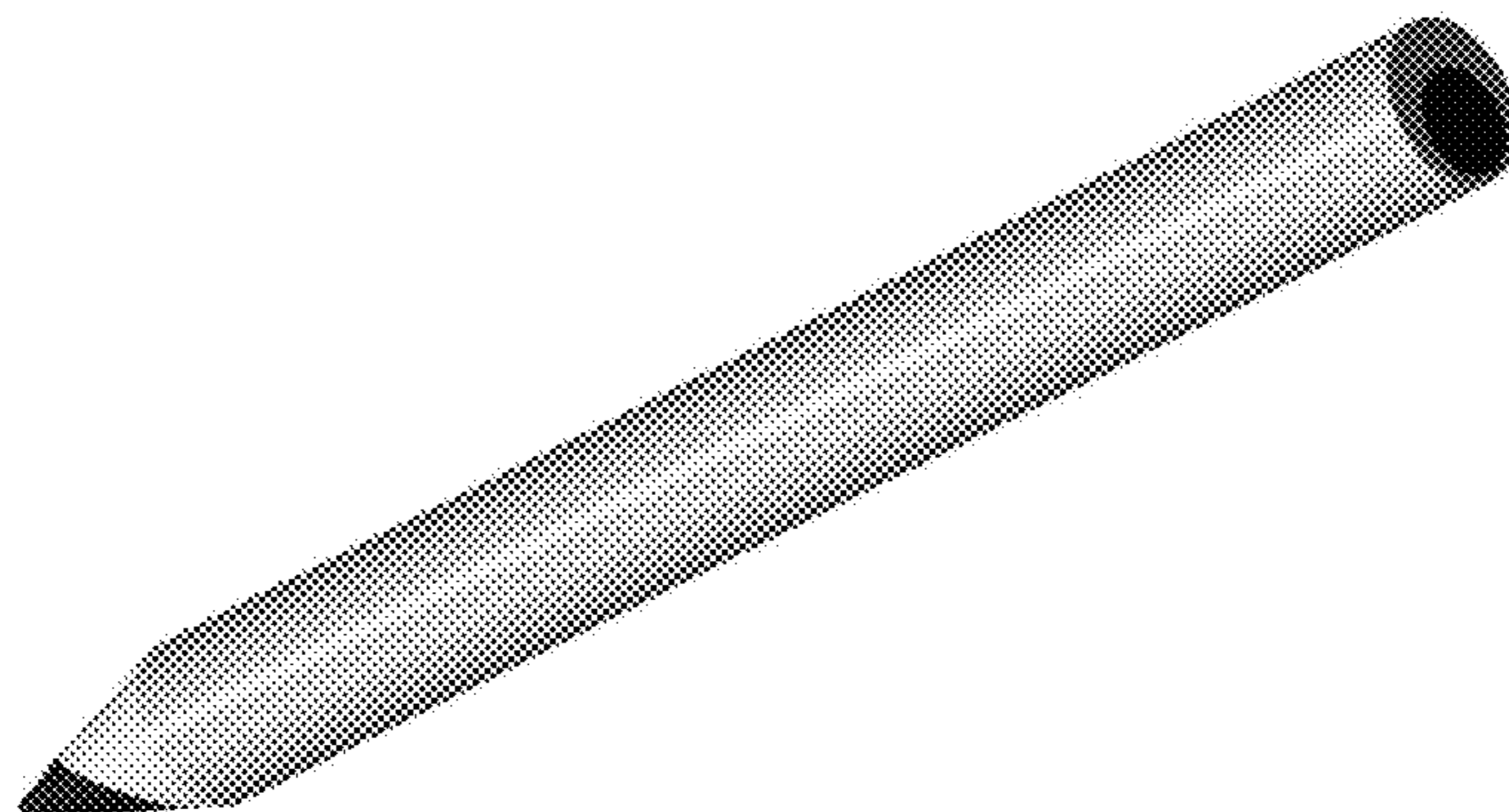
U.S. PATENT DOCUMENTS

2,179,735 A \* 11/1939 Beem ..... A47L 23/05  
 15/258  
 2,336,028 A \* 12/1943 Nichol ..... B43K 5/18  
 141/25  
 2,341,717 A \* 2/1944 Hoffmann ..... B43K 29/02  
 401/52  
 2,507,816 A \* 5/1950 Robbins ..... B43K 25/02  
 24/11 P  
 D306,354 S \* 2/1990 Konose ..... D28/7  
 D306,355 S \* 2/1990 Shinohara ..... D28/7

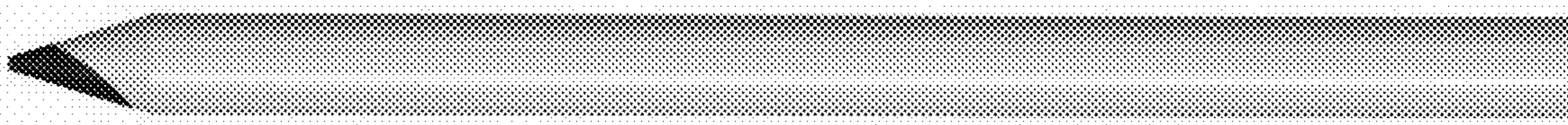
**DESCRIPTION**

- 1. Cosmetic pencil
- 1.1 : Front
- 1.2 : Left
- 1.3 : Back
- 1.4 : Right
- 1.5 : Bottom
- 1.6 : Top
- 1.7 : Perspective

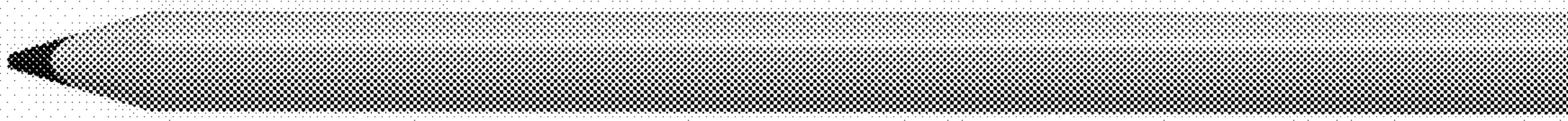
**1 Claim, 7 Drawing Sheets**



**1.1**



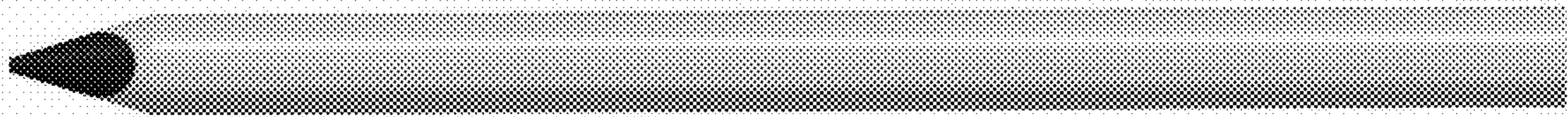
**1.2**



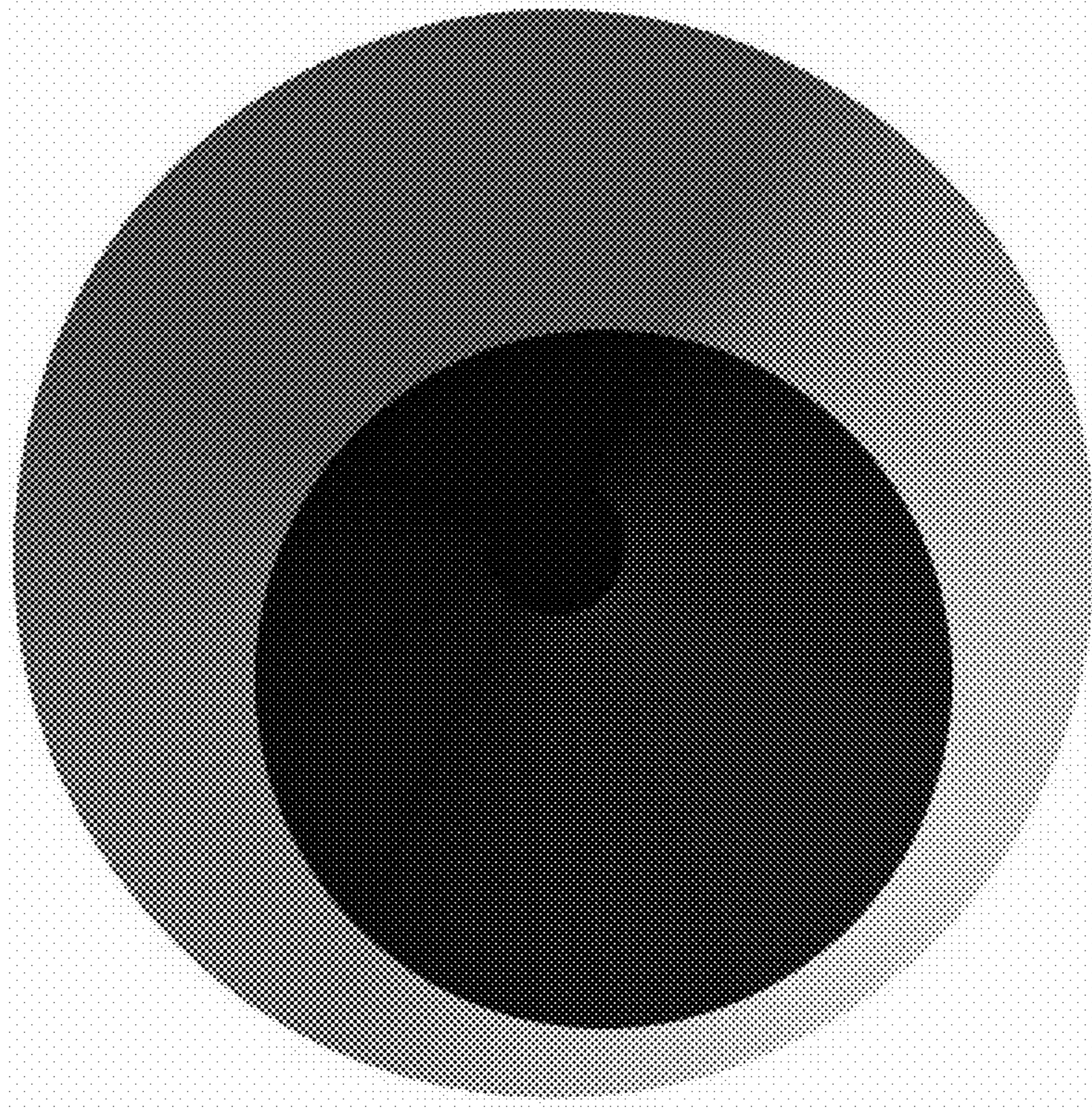
**1.3**



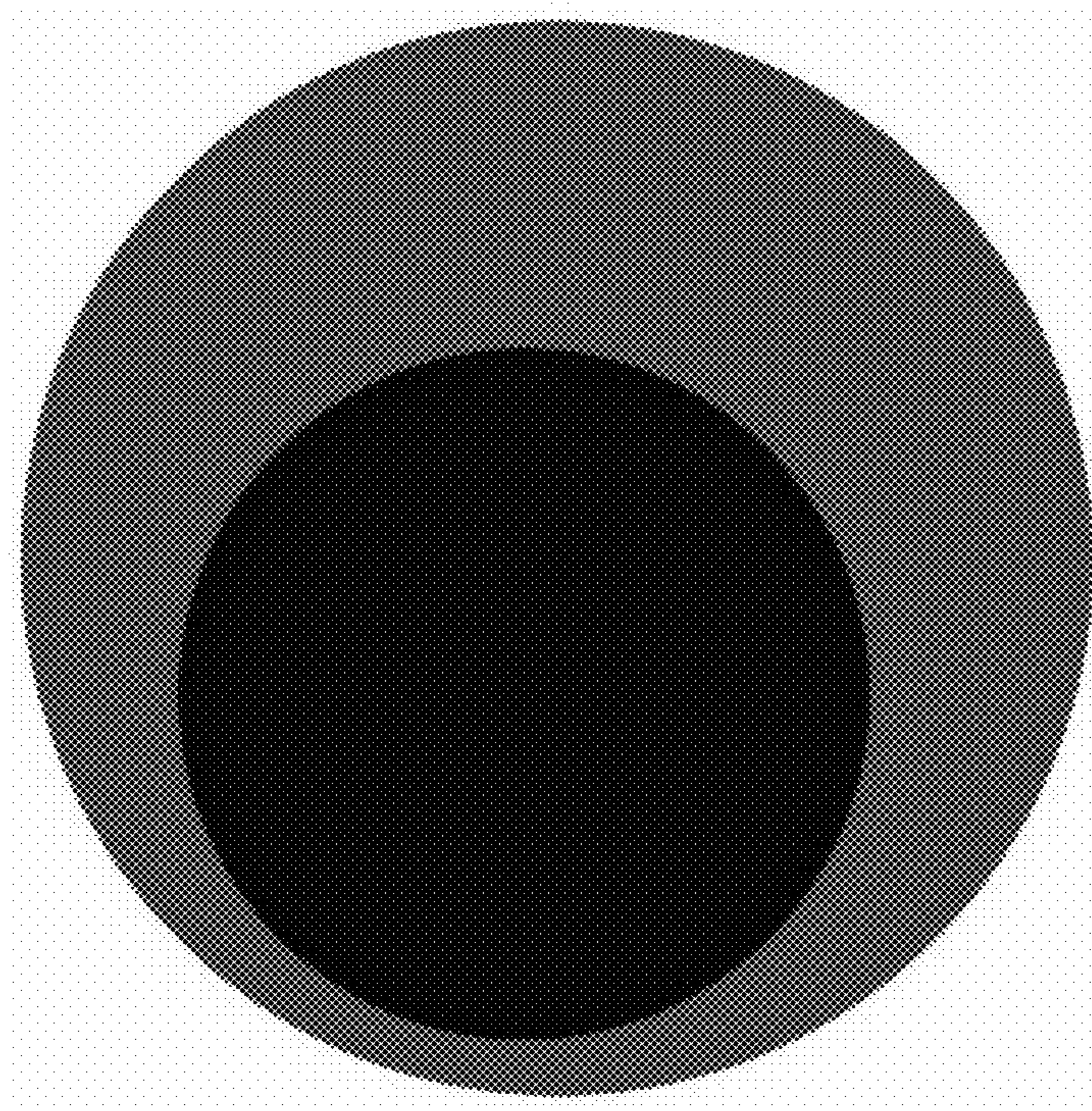
**1.4**



1.5



1.6



1.7

