



US00D762918S

(12) **United States Design Patent**
Fitzwater, II et al.

(10) **Patent No.:** **US D762,918 S**

(45) **Date of Patent:** **** Aug. 2, 2016**

(54) **CORDLESS DECORATIVE LAMP FOR INTERCHANGEABLE BASES**

(71) Applicants: **Stephen Travis Fitzwater, II**, Fort Worth, TX (US); **Carrie Marie Fitzwater**, Fort Worth, TX (US)

(72) Inventors: **Stephen Travis Fitzwater, II**, Fort Worth, TX (US); **Carrie Marie Fitzwater**, Fort Worth, TX (US)

(**) Term: **14 Years**

(21) Appl. No.: **29/491,418**

(22) Filed: **May 21, 2014**

(51) **LOC (10) Cl.** **26-16**

(52) **U.S. Cl.**
USPC **D26/142; D26/98**

(58) **Field of Classification Search**
USPC D26/24, 39, 59, 67, 68, 69, 70, 71, 72, D26/74, 76, 77, 80, 88, 89, 98, 138, 139, D26/140, 141, 142, 151, 152
CPC F24S 4/001; F24S 4/005; F24S 8/00; F24S 8/04; F24S 8/043; F24S 8/046; F24S 8/06-8/065; F24S 13/02; F24S 13/04; F24S 13/06

See application file for complete search history.

(56) **References Cited**

U.S. PATENT DOCUMENTS

- D433,168 S * 10/2000 Cousins D26/9
- D542,437 S * 5/2007 Snow D26/22
- D604,896 S * 11/2009 Chen D26/142
- 8,079,724 B1 * 12/2011 Klaver B60Q 1/2611 362/234
- D682,448 S * 5/2013 Nugent D26/22

(Continued)

Primary Examiner — George D Kirschbaum

Assistant Examiner — Natasha Vujcic

(74) *Attorney, Agent, or Firm* — James E. Walton

(57) **CLAIM**

We claim, the ornamental design for a cordless decorative lamp for interchangeable bases, as shown and described.

DESCRIPTION

FIG. 1 is a perspective view of a cordless decorative lamp for interchangeable bases according to the present application.

FIG. 2 is a front view of the cordless decorative lamp for interchangeable bases of FIG. 1 shown with a lamp shade.

The back view of the cordless decorative lamp for interchangeable bases is identical to the front view.

FIG. 3 is a left side view of the cordless decorative lamp for interchangeable bases of FIG. 1 shown with a lamp shade.

The right side view of the cordless decorative lamp for interchangeable bases is identical to the left side view.

FIG. 4 is a top view of the cordless decorative lamp for interchangeable bases of FIG. 1 shown with a lamp shade.

FIG. 5 is a bottom view of the cordless decorative lamp for interchangeable bases of FIG. 1 shown with a lamp shade.

FIG. 6 is a perspective view of a cordless decorative lamp for interchangeable bases shown interchangeably connected to a floor stand according to the present application, the internal frame of the lamp shade is removed for clarity.

FIG. 7 is a perspective view of a cordless decorative lamp for interchangeable bases shown interchangeably connected to a table stand according to the present application, the internal frame of the lamp shade is removed for clarity.

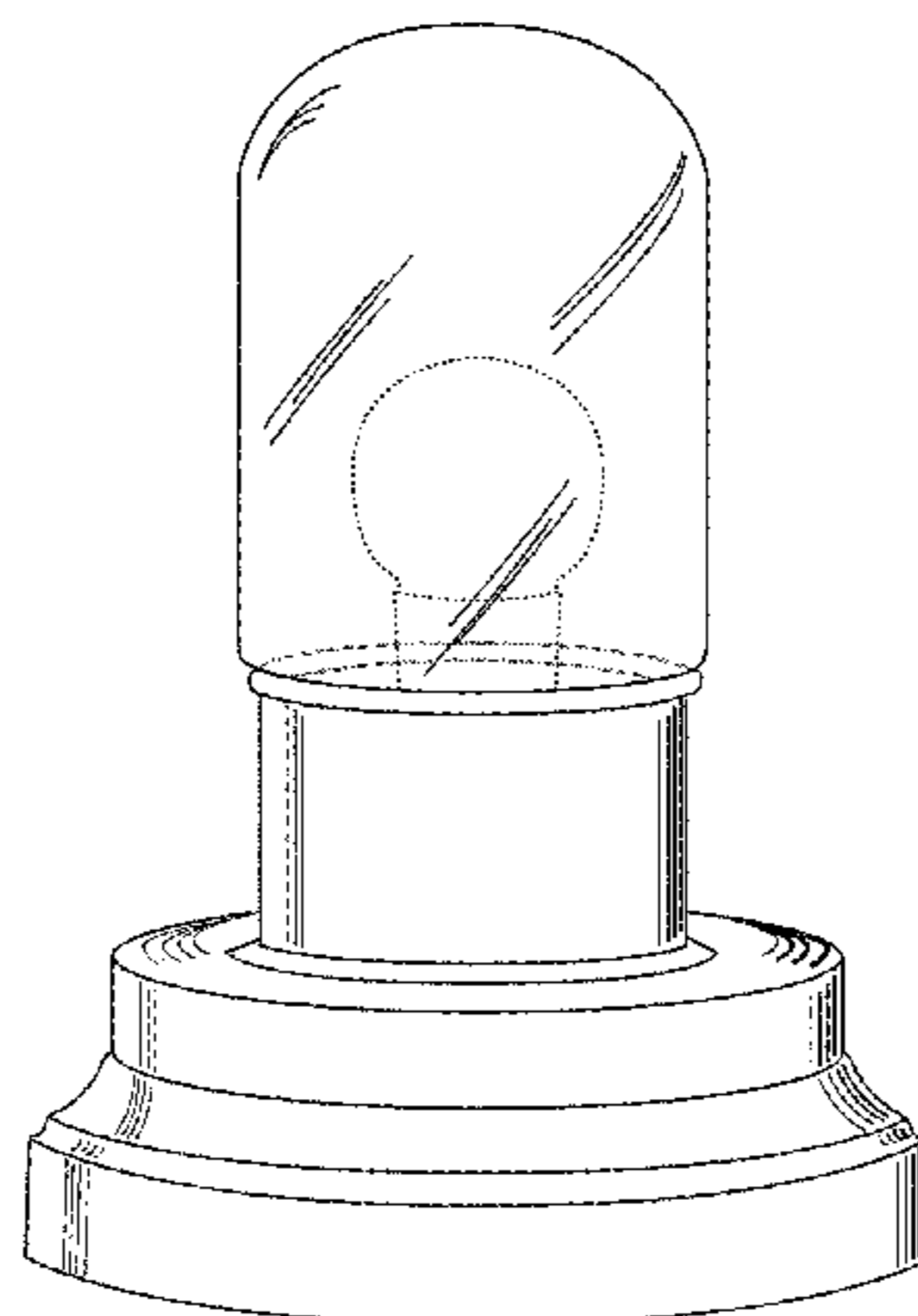
FIG. 8 is a perspective view of a cordless decorative lamp for interchangeable bases shown interchangeably connected to a hanging floor stand according to the present application, the internal frame of the lamp shade is removed for clarity.

FIG. 9 is a perspective view of a cordless decorative lamp for interchangeable bases shown interchangeably connected to a decorative vase stand according to the present application, the internal frame of the lamp shade is removed for clarity; and,

FIG. 10 is a perspective view of a cordless decorative lamp for interchangeable bases shown interchangeably connected to a hanging wall bracket according to the present application, the internal frame of the lamp shade is removed for clarity.

The broken lines in the drawings illustrate the environment of the cordless decorative lamp for interchangeable bases which forms no part of the claimed design.

1 Claim, 8 Drawing Sheets



US D762,918 S

(56)

References Cited

U.S. PATENT DOCUMENTS

9,016,896 B1 *	4/2015	Roudeski	F21V 7/04 340/953
D733,944 S *	7/2015	Cohanim	D26/22
2012/0188754 A1 *	7/2012	Fitzwater, II	F21S 6/002 362/183
8,906,262 B2 *	12/2014	Tian	C09K 11/025 252/301.4 F

* cited by examiner

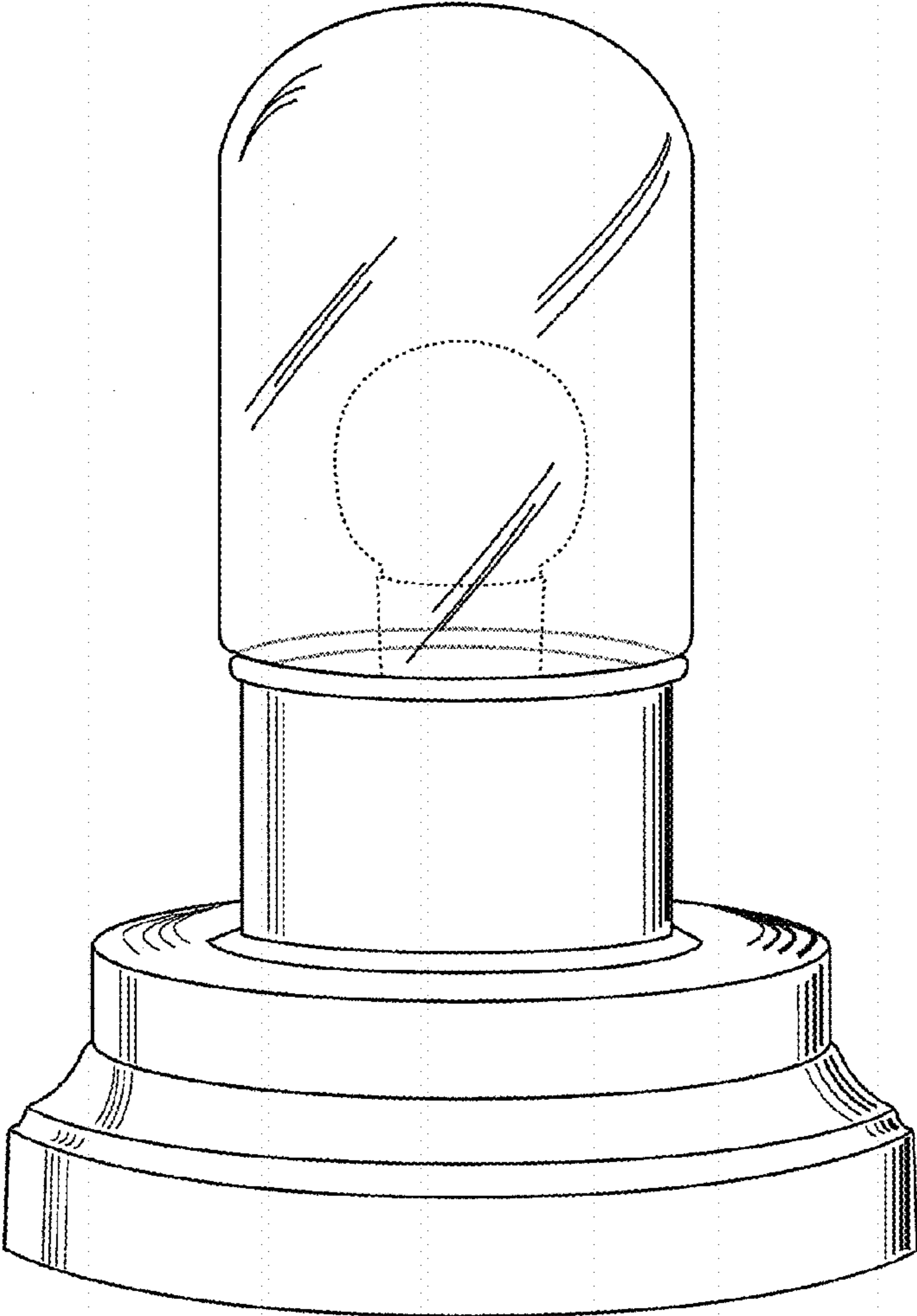


Figure 1

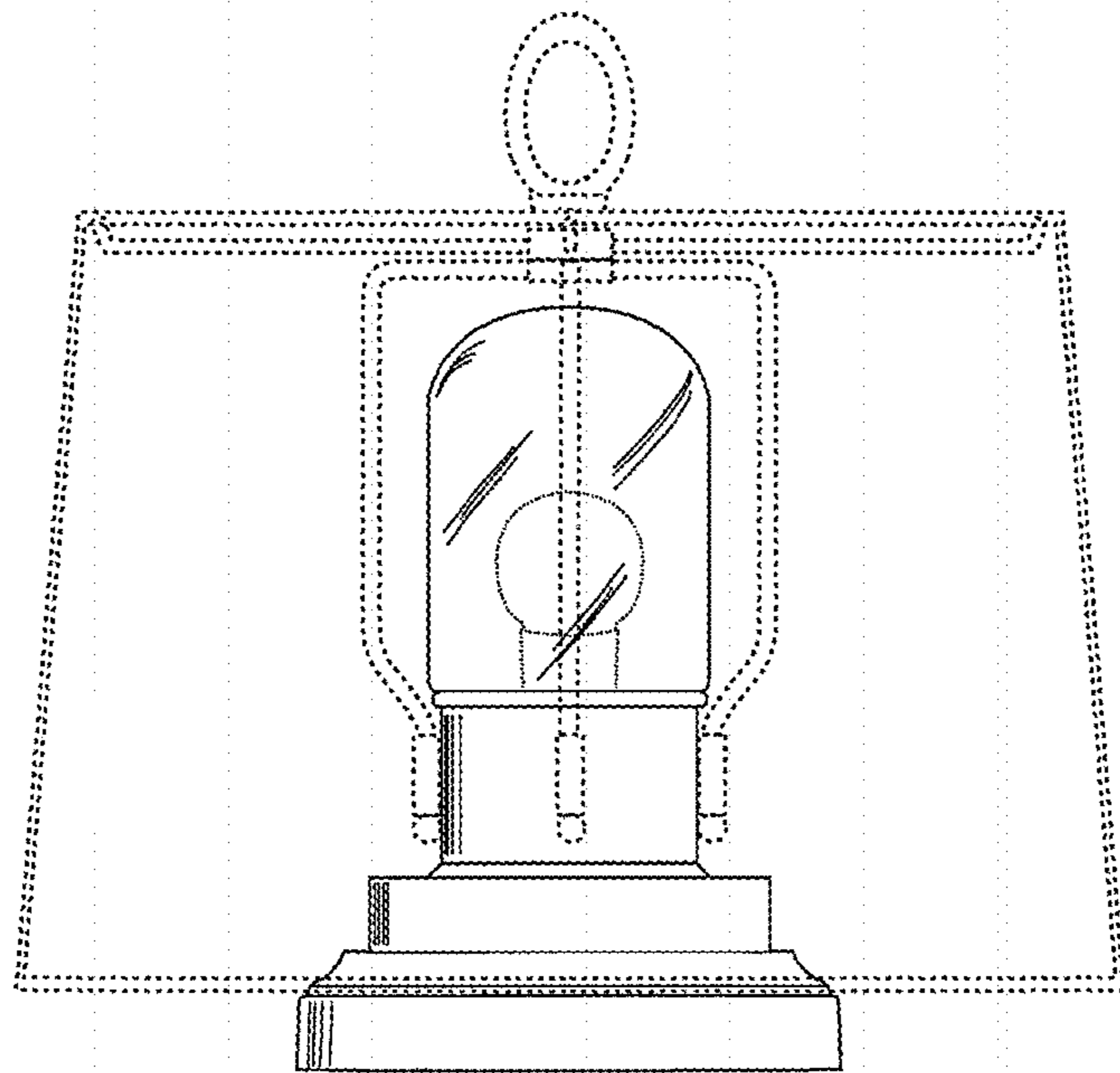


Figure 2

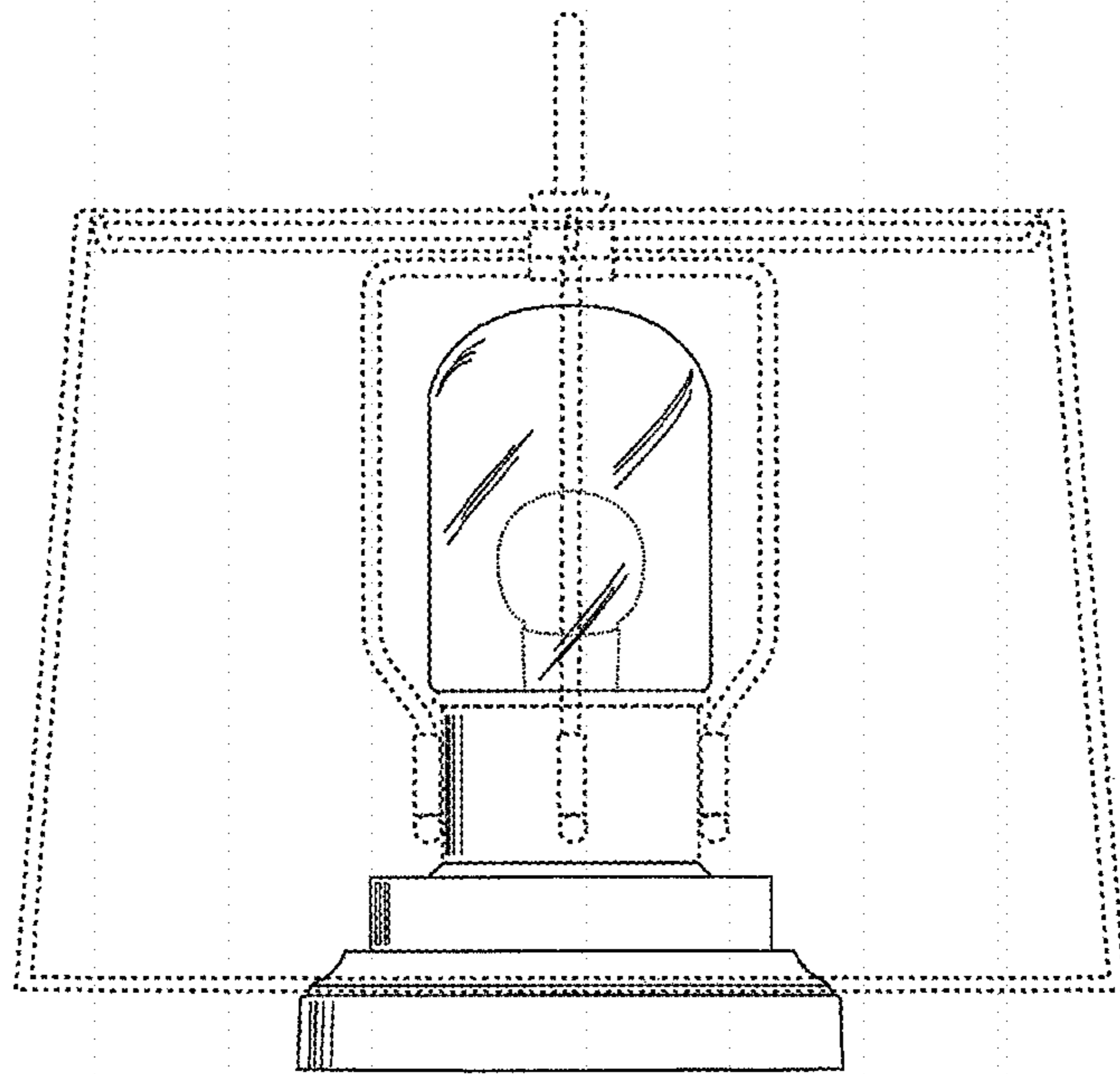


Figure 3

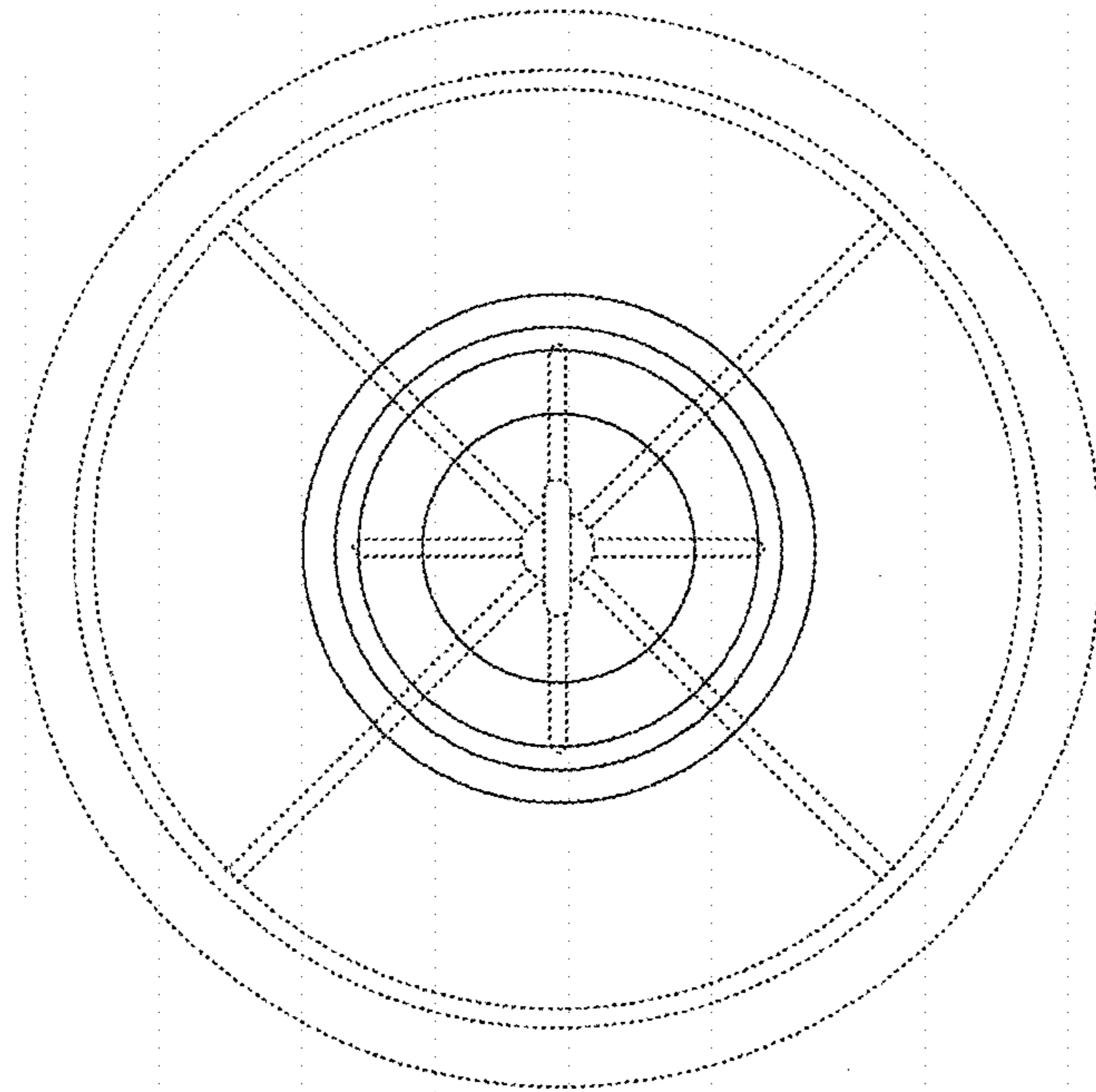


Figure 4

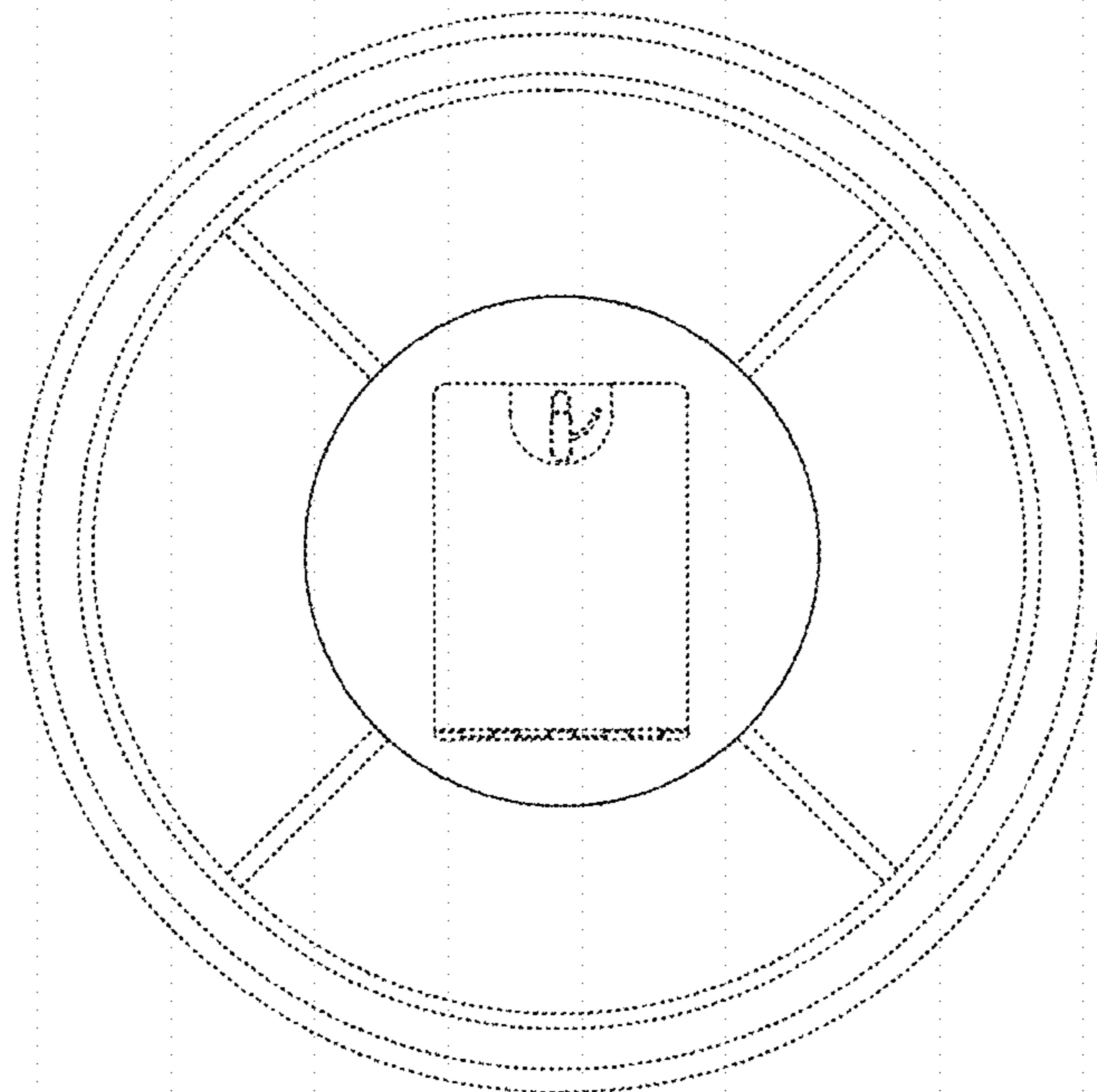


Figure 5

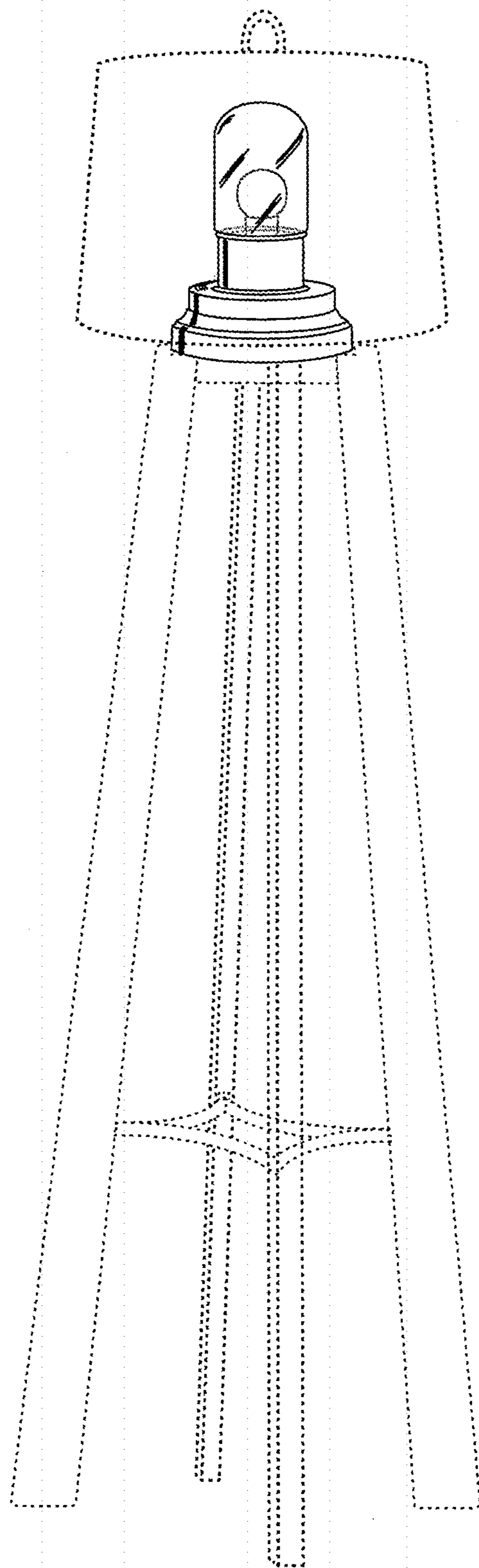


Figure 6

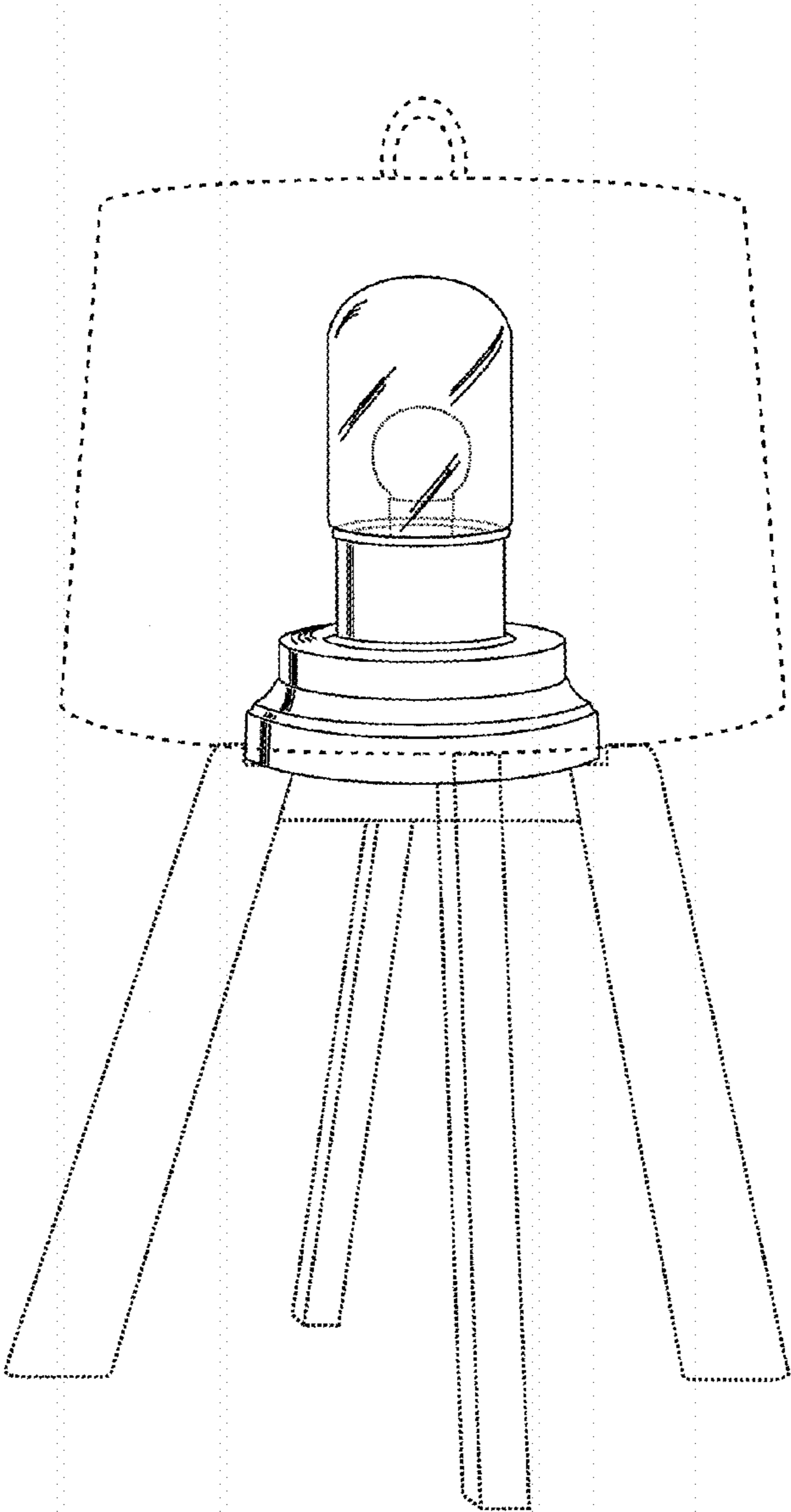


Figure 7

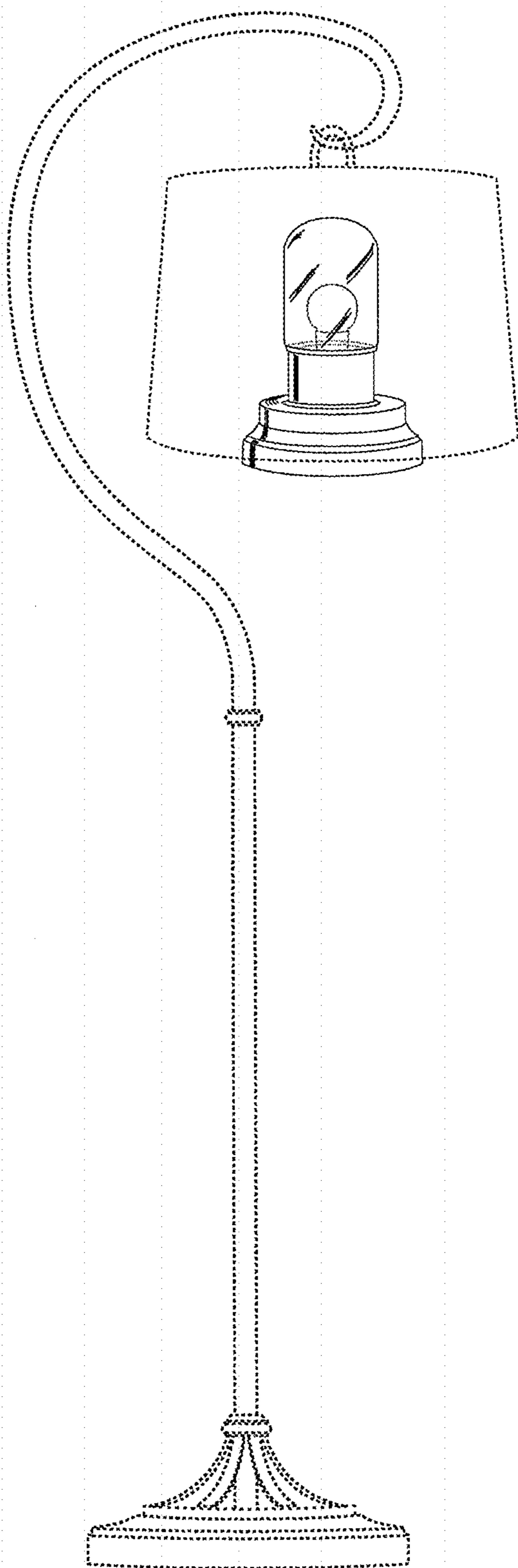


Figure 8

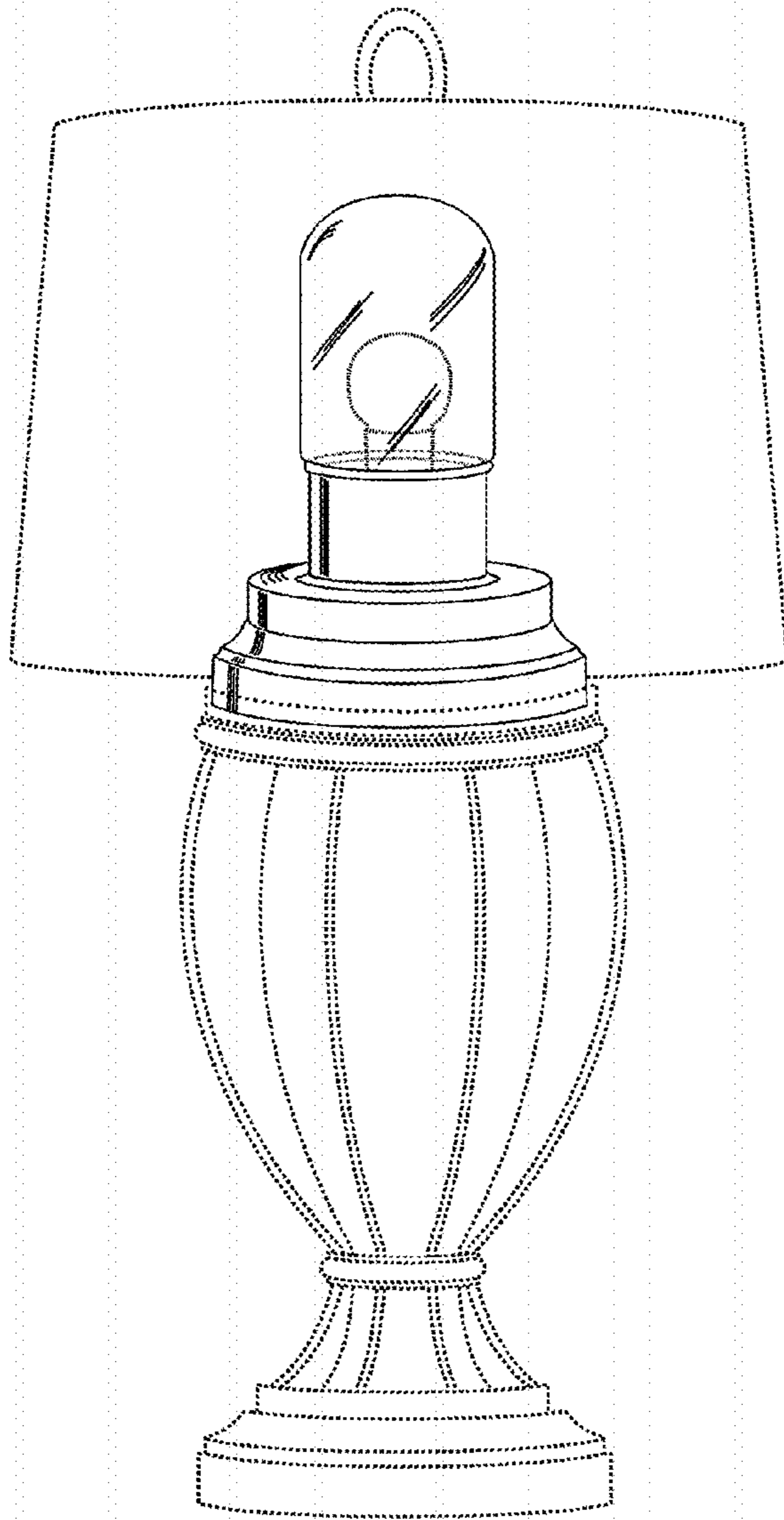


Figure 9

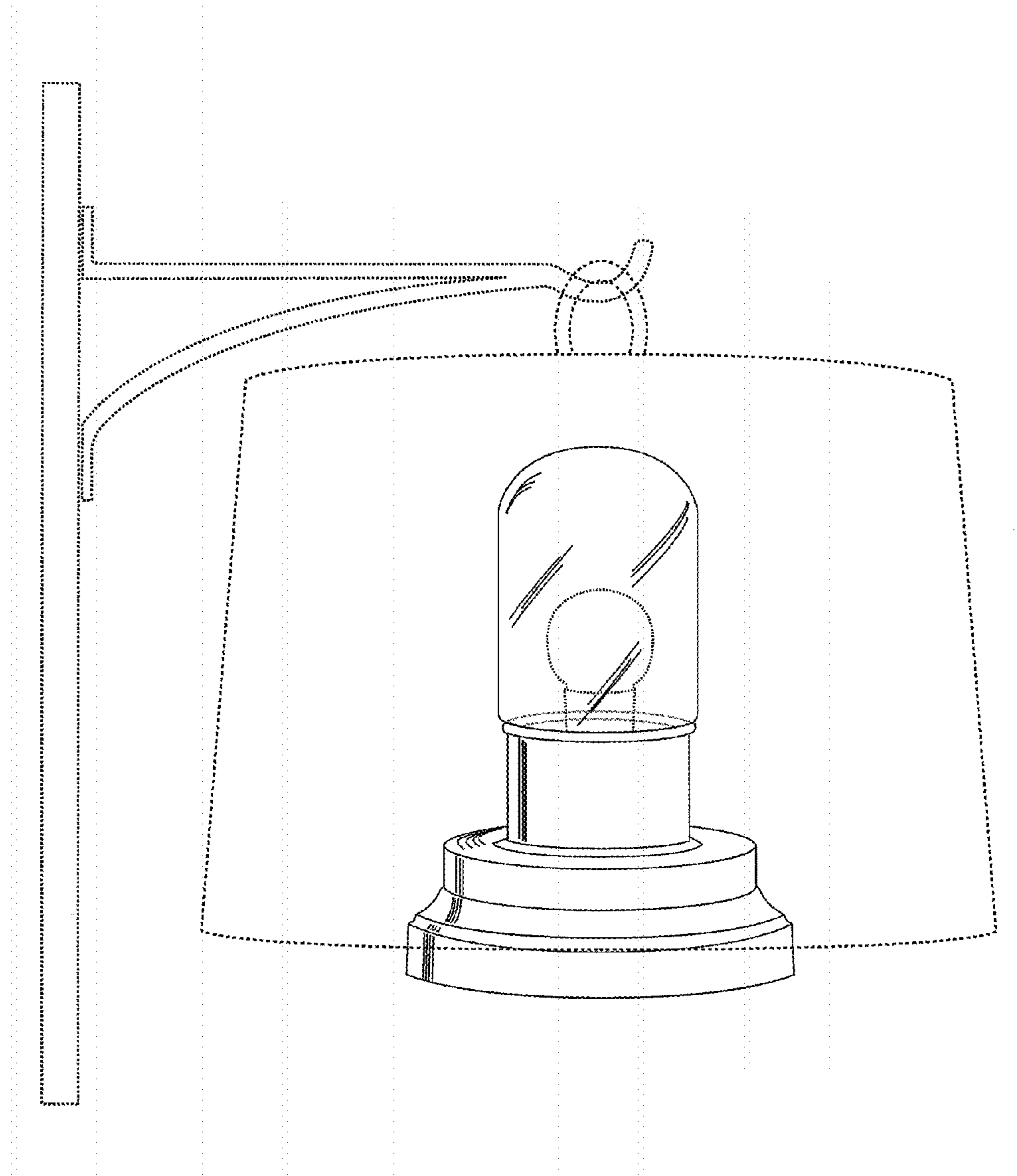


Figure 10