



US00D762913S

(12) **United States Design Patent**
Anderson et al.

(10) **Patent No.:** **US D762,913 S**
(45) **Date of Patent:** **** Aug. 2, 2016**

(54) **LIGHTING FIXTURE**

(71) Applicant: **Apparatus LLC**, New York, NY (US)

(72) Inventors: **Jeremy R. Anderson**, Brooklyn, NY (US); **Gabriel Hendifar**, Brooklyn, NY (US)

(73) Assignee: **APPARATUS LLC**, New York, NY (US)

(**) Term: **15 Years**

(21) Appl. No.: **29/527,194**

(22) Filed: **May 16, 2015**

(51) **LOC (10) Cl.** **26-03**

(52) **U.S. Cl.**
USPC **D26/106**

(58) **Field of Classification Search**
USPC D26/1, 24, 93, 104, 106, 110, 118, 105, D26/87, 88, 94
CPC B60Q 1/04; B60Q 1/26; F21S 8/026; F21S 8/04; F21V 29/004; F21V 21/04; F21V 21/02; F21V 29/2212
See application file for complete search history.

(56) **References Cited**

U.S. PATENT DOCUMENTS

D197,456 S *	2/1964	Hammer	D26/94
D246,202 S *	10/1977	Oppermann	D26/104
D285,978 S *	9/1986	Rice	D26/107
D395,715 S *	6/1998	Queen	D26/24
D517,227 S *	3/2006	Egawa	D26/1
D588,296 S *	3/2009	Sabernig	D26/87
D729,431 S *	5/2015	Miller	D26/88
D732,229 S *	6/2015	Anastassiades	D26/93
D752,802 S *	3/2016	Johnson	D26/94

* cited by examiner

Primary Examiner — Brian N Vinson

(74) *Attorney, Agent, or Firm* — Gottlieb, Rackman & Reisman, P.C.

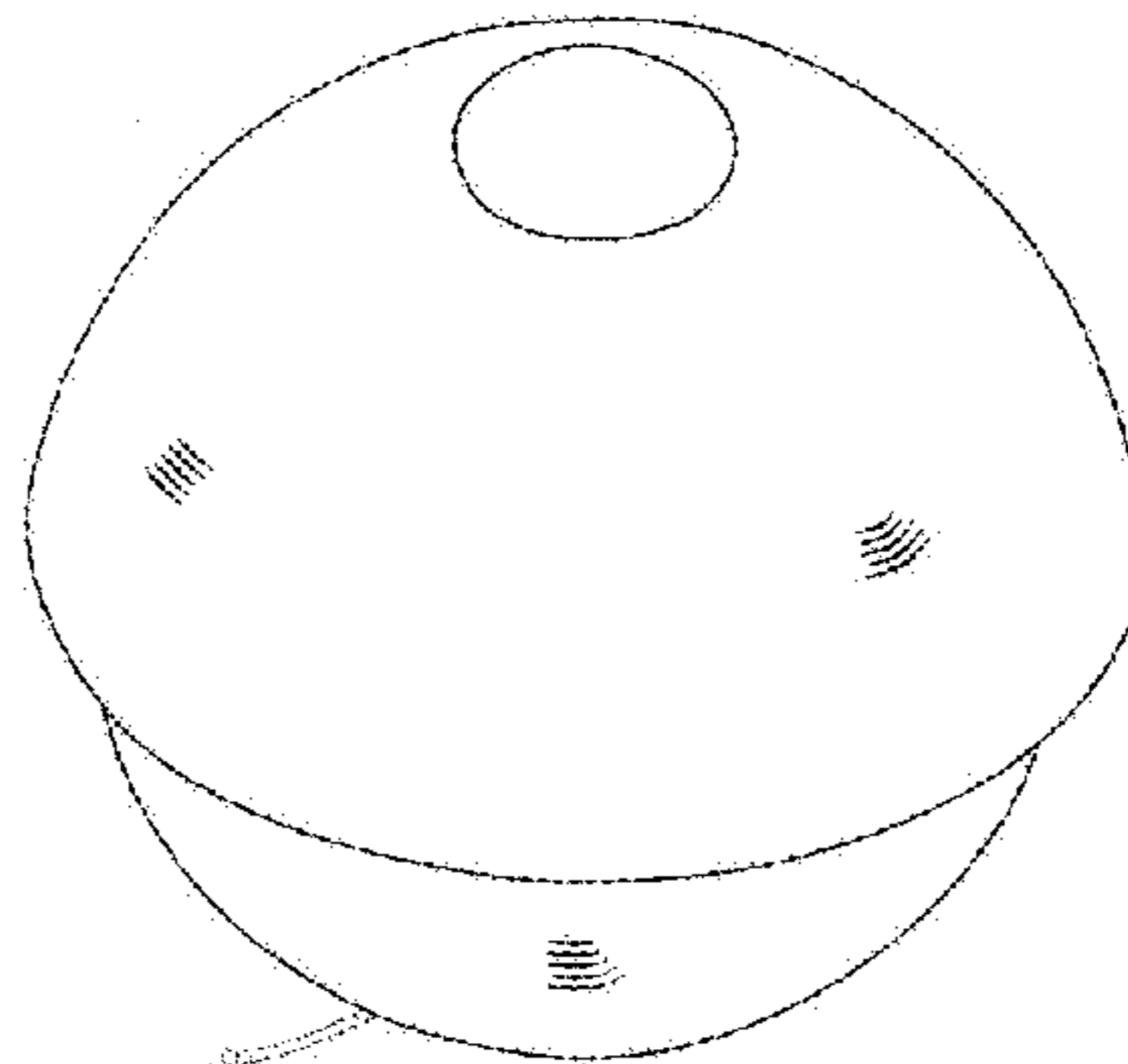
(57) **CLAIM**

We claim the ornamental design for a lighting fixture, as shown and described.

DESCRIPTION

FIG. 1 is a left elevation view showing a first embodiment of my new design of a lighting fixture;
 FIG. 2 is a right elevation view of the lighting fixture of the first embodiment;
 FIG. 3 is a front elevation view of the lighting fixture of the first embodiment;
 FIG. 4 is a rear elevation view of the lighting fixture of the first embodiment;
 FIG. 5 is a top plan view of the lighting fixture of the first embodiment;
 FIG. 6 is a bottom view of the lighting fixture of the first embodiment;
 FIG. 7 is a perspective view of the lighting fixture of the first embodiment;
 FIG. 8 is a left elevation view showing a second embodiment of my new design of a lighting fixture;
 FIG. 9 is a right elevation view of the lighting fixture of the second embodiment;
 FIG. 10 is a front elevation view of the lighting fixture of the second embodiment;
 FIG. 11 is a rear elevation view of the lighting fixture of the second embodiment;
 FIG. 12 is a top plan view of the lighting fixture of the second embodiment;
 FIG. 13 is a bottom view of the lighting fixture of the second embodiment; and,
 FIG. 14 is a perspective view of the lighting fixture of the second embodiment.
 The broken lines depict unclaimed environment. The broken lines form no part of the claimed design.

1 Claim, 14 Drawing Sheets



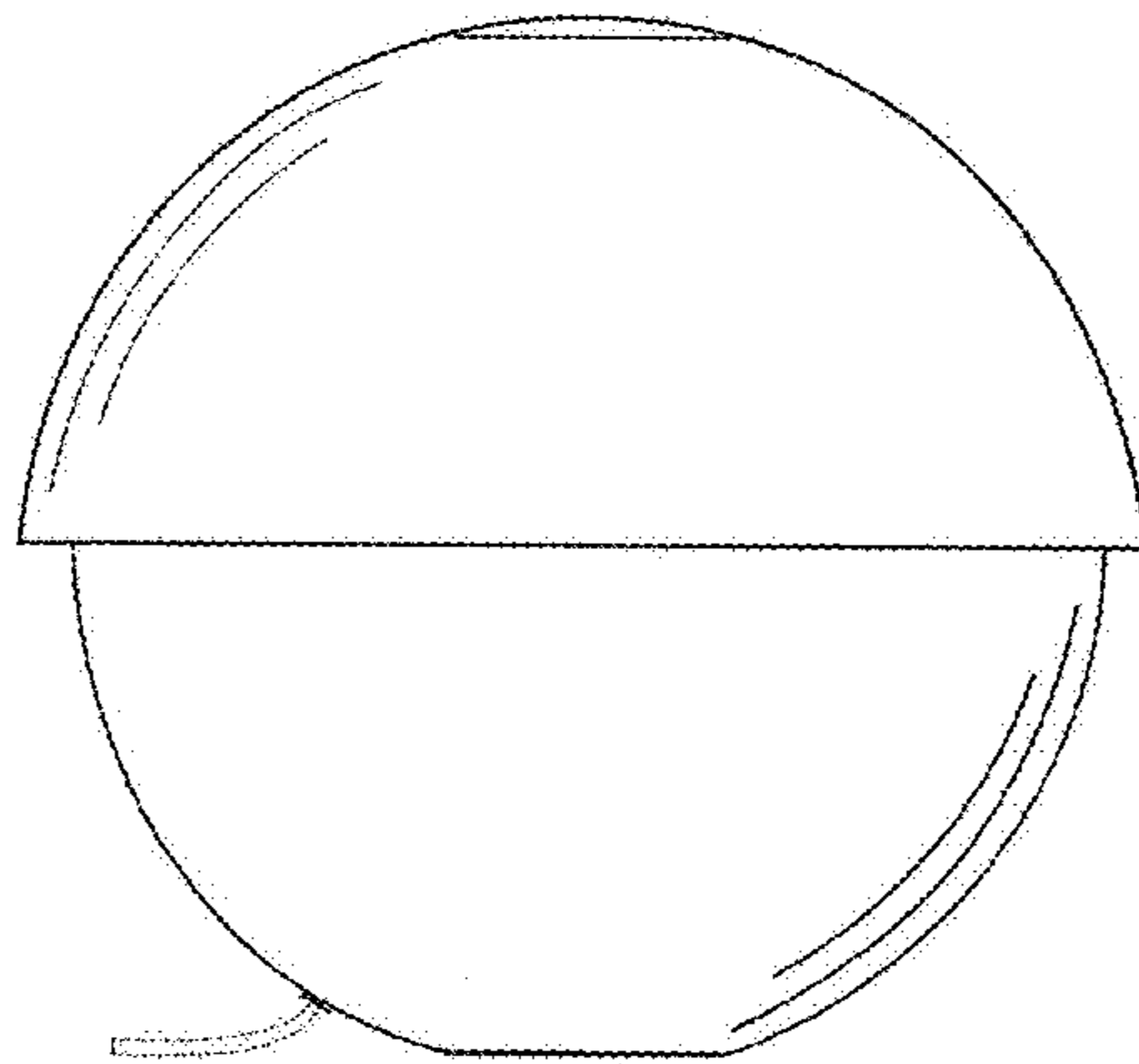


Fig. 1

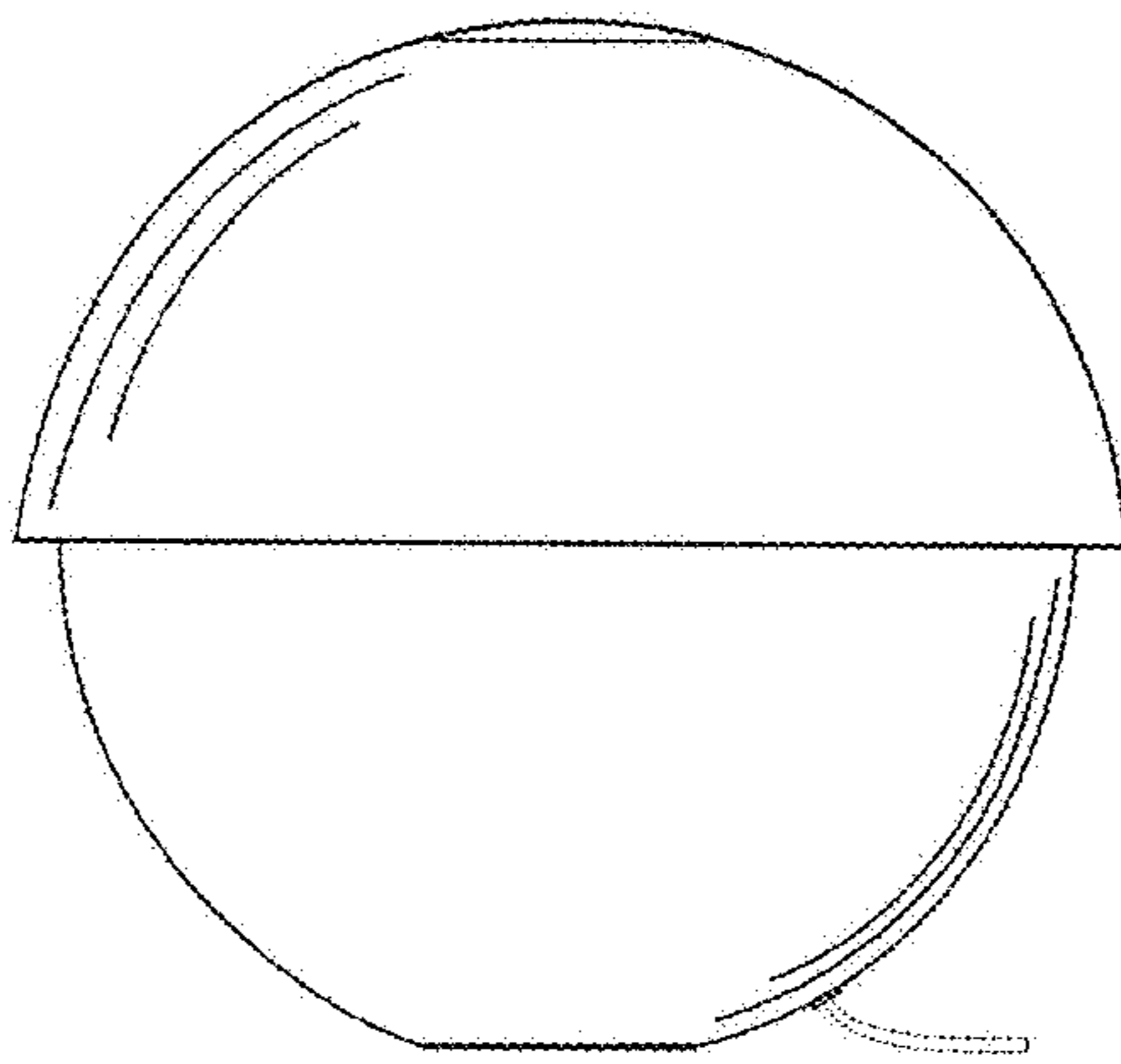


FIG. 2

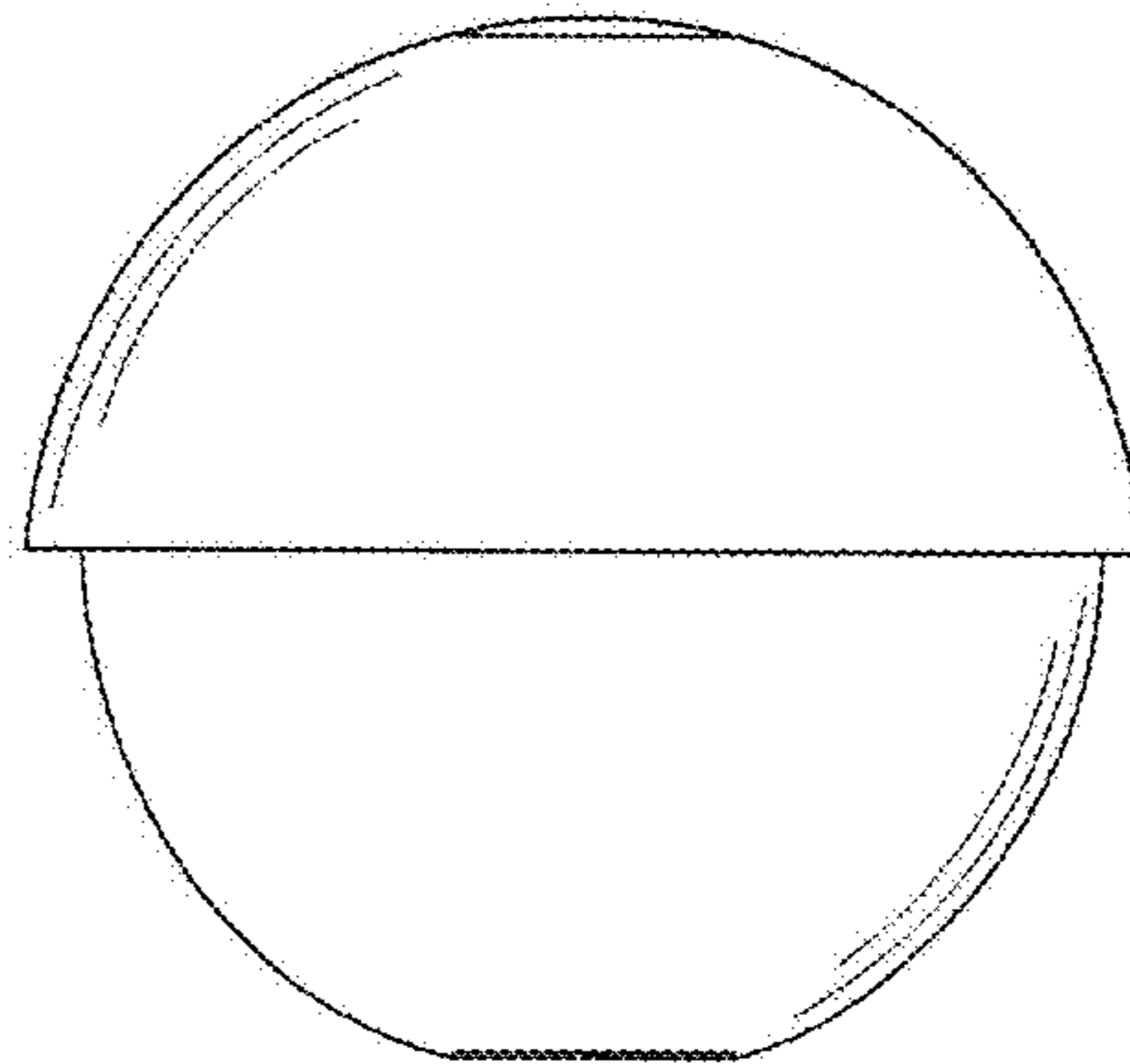


FIG. 3

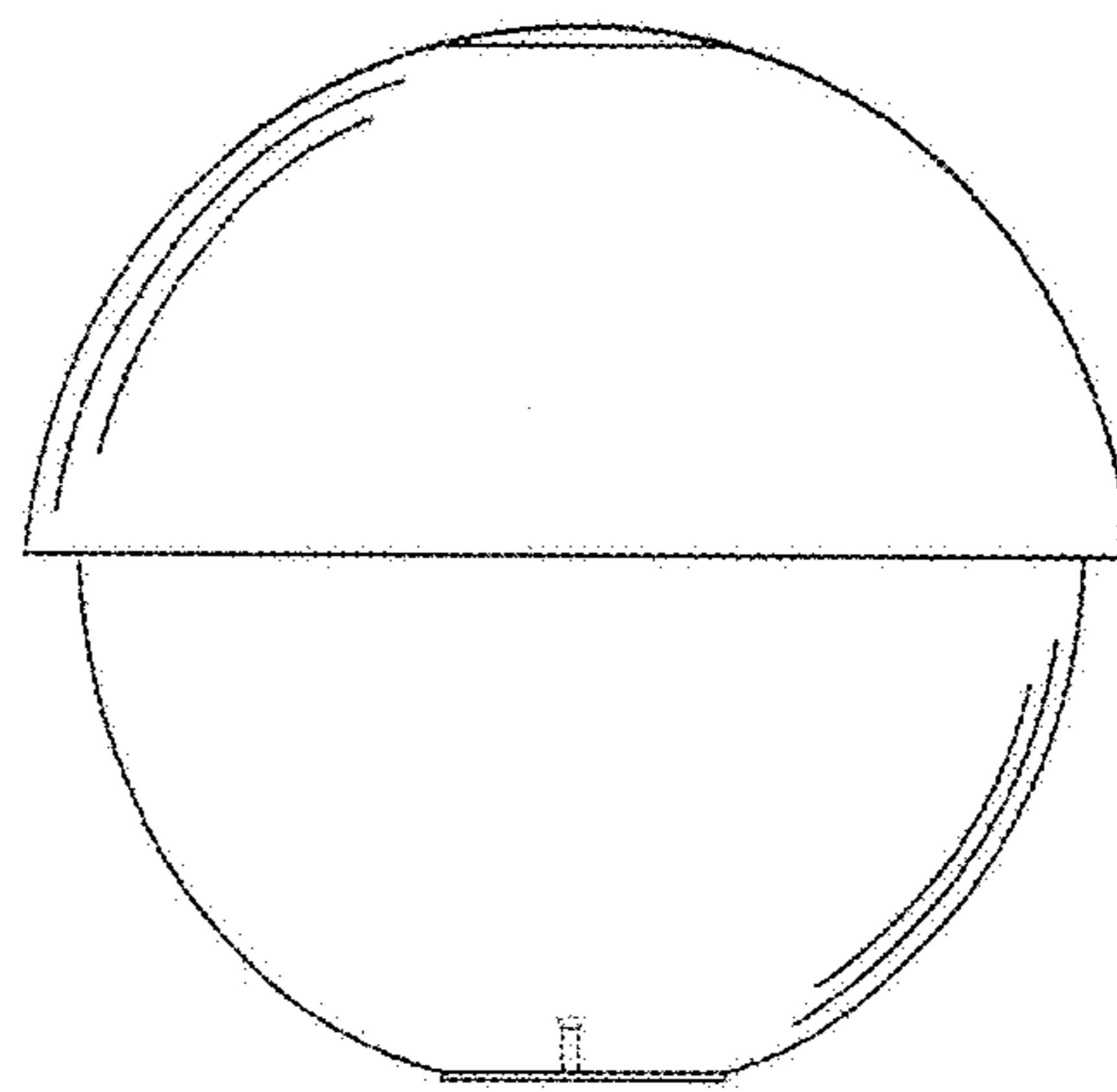


FIG. 4

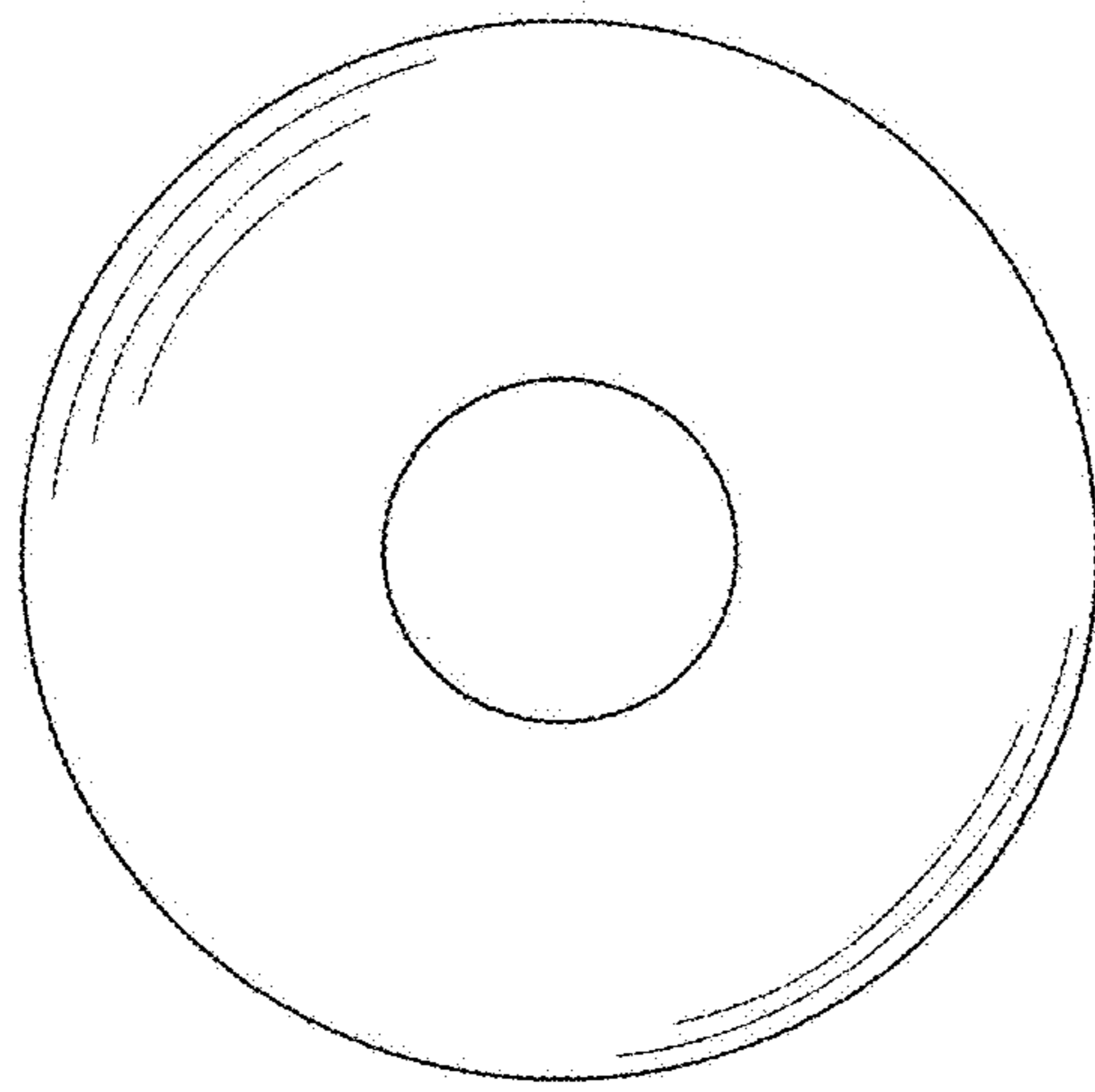


FIG. 5

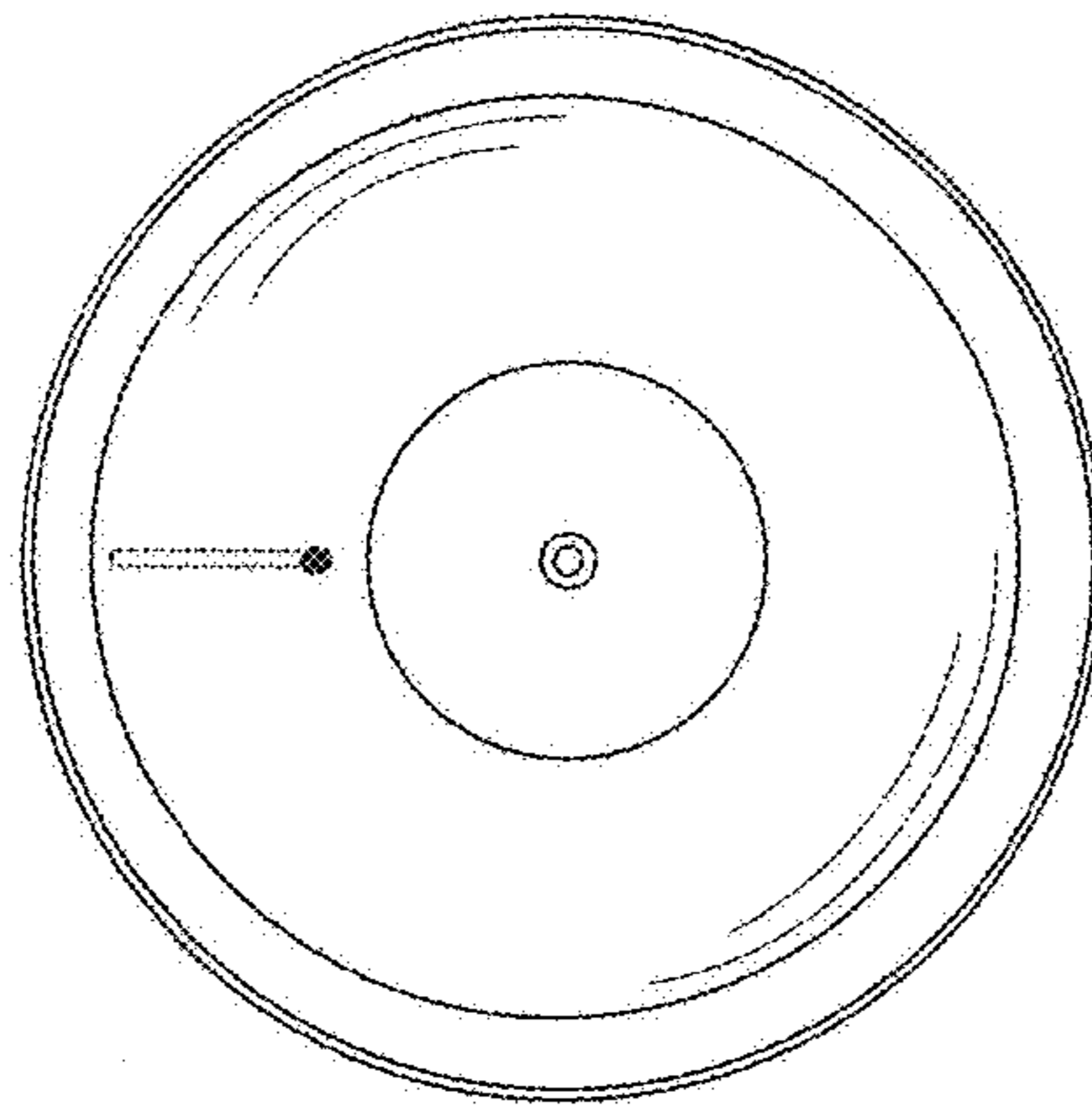


FIG. 6

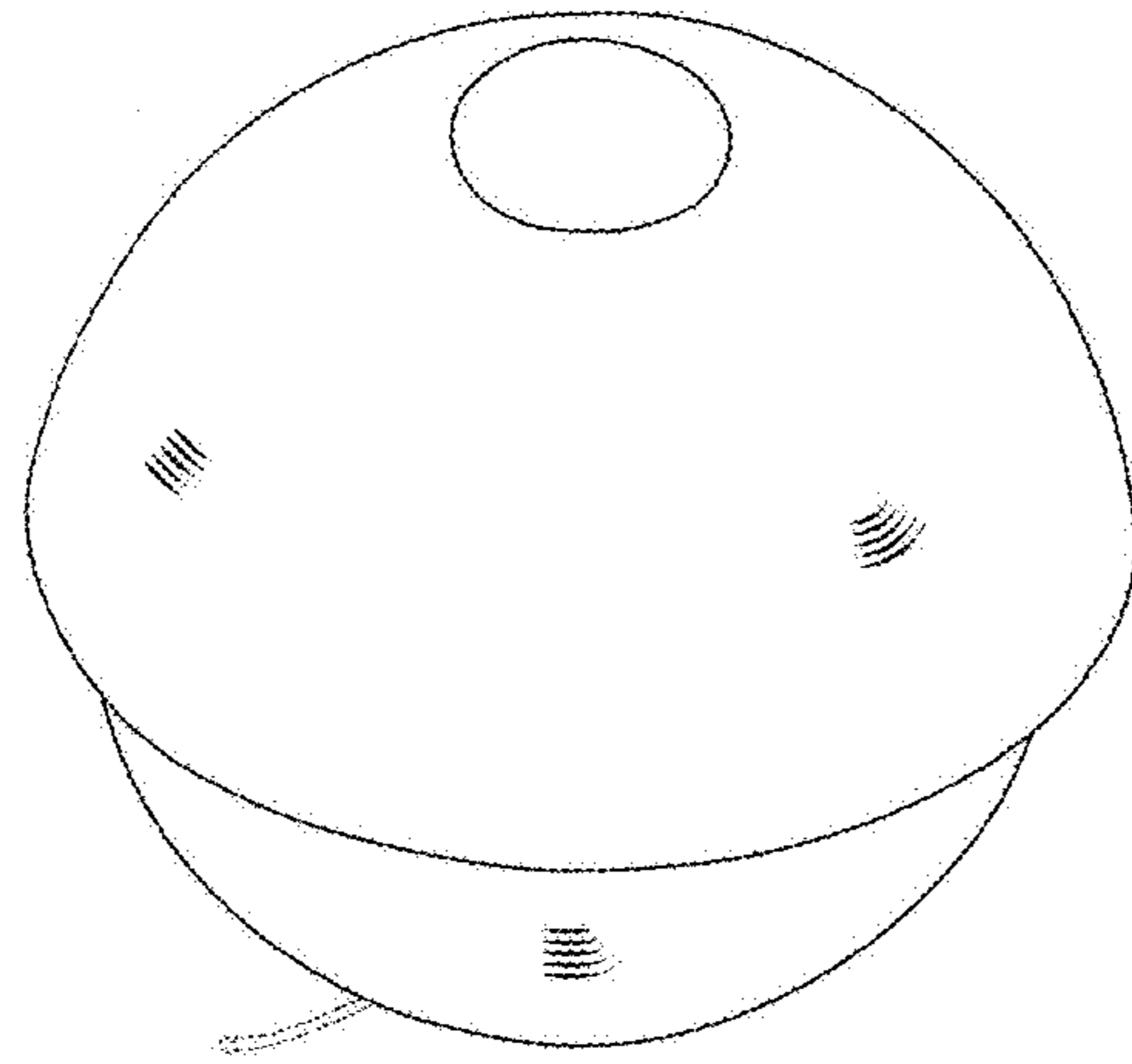


FIG. 7

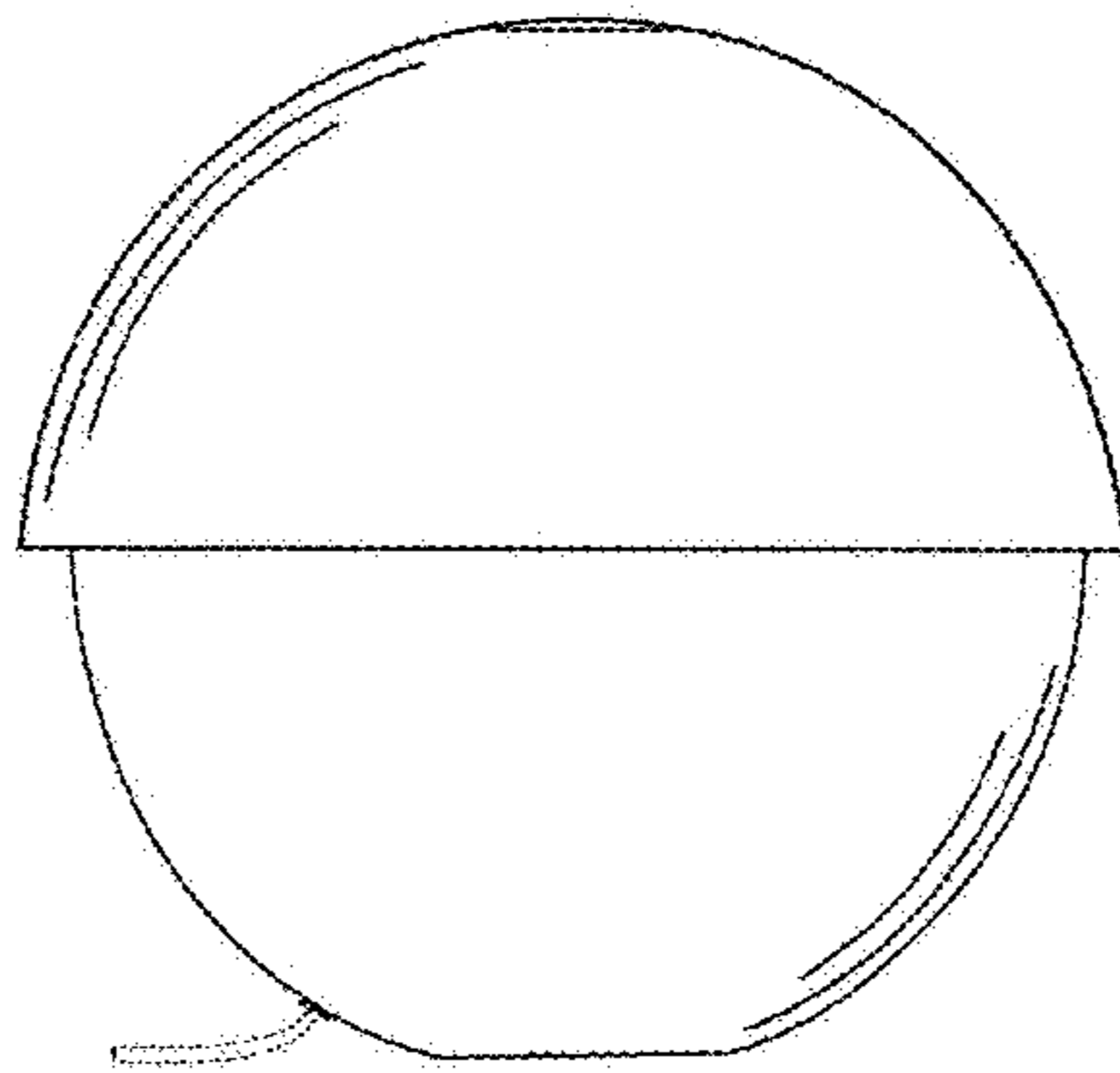


FIG. 8

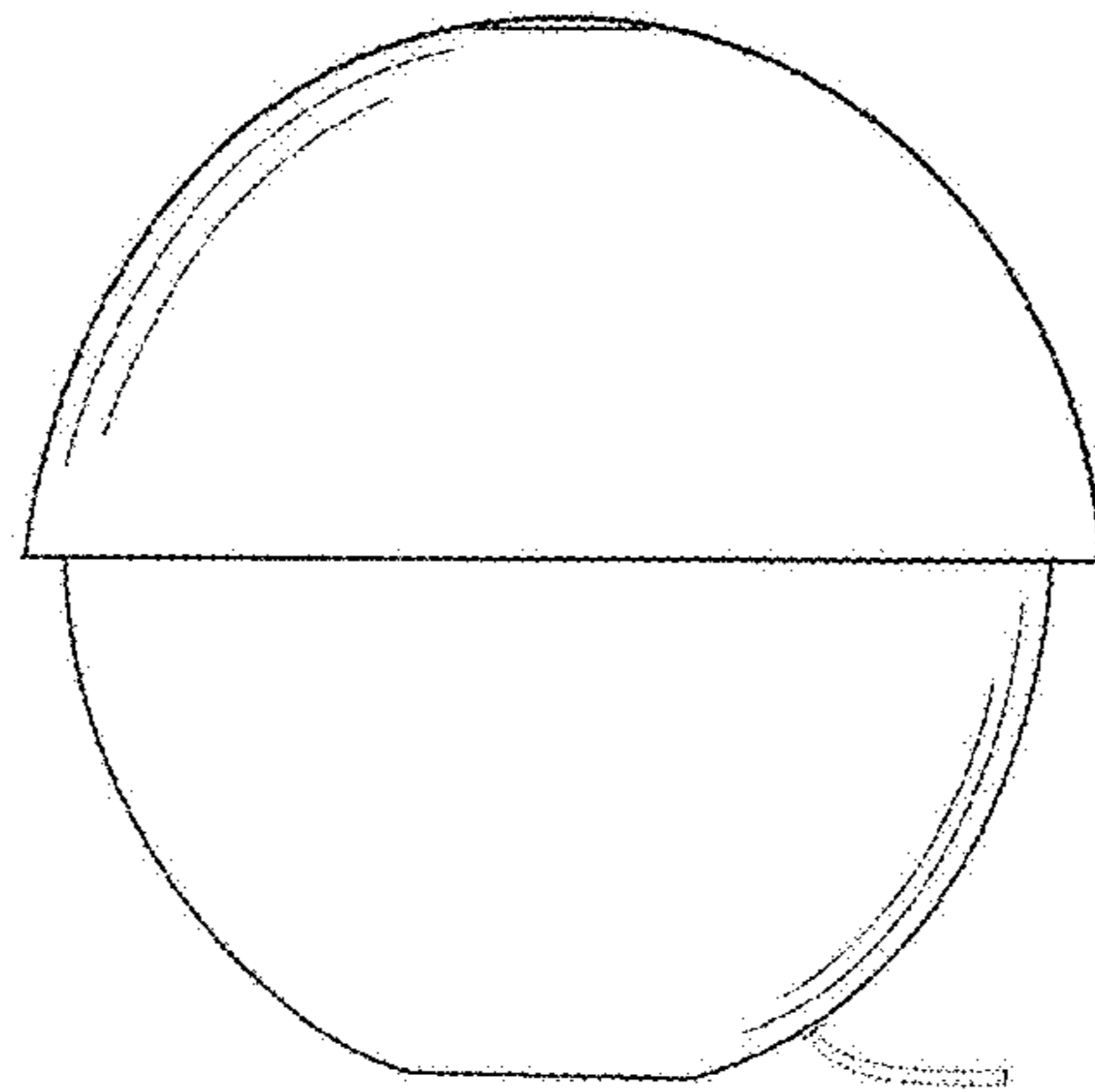


FIG. 9

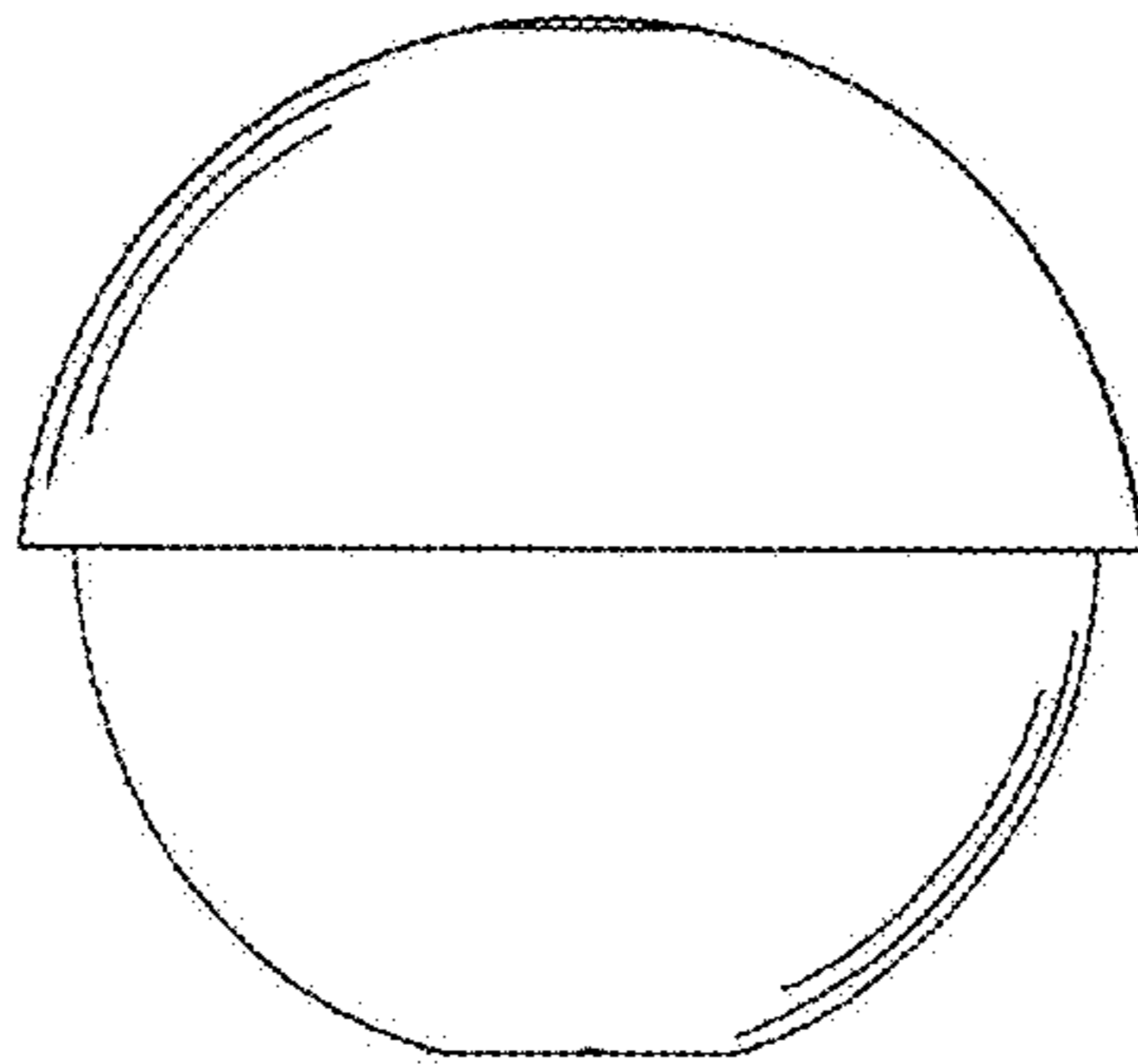


FIG. 10

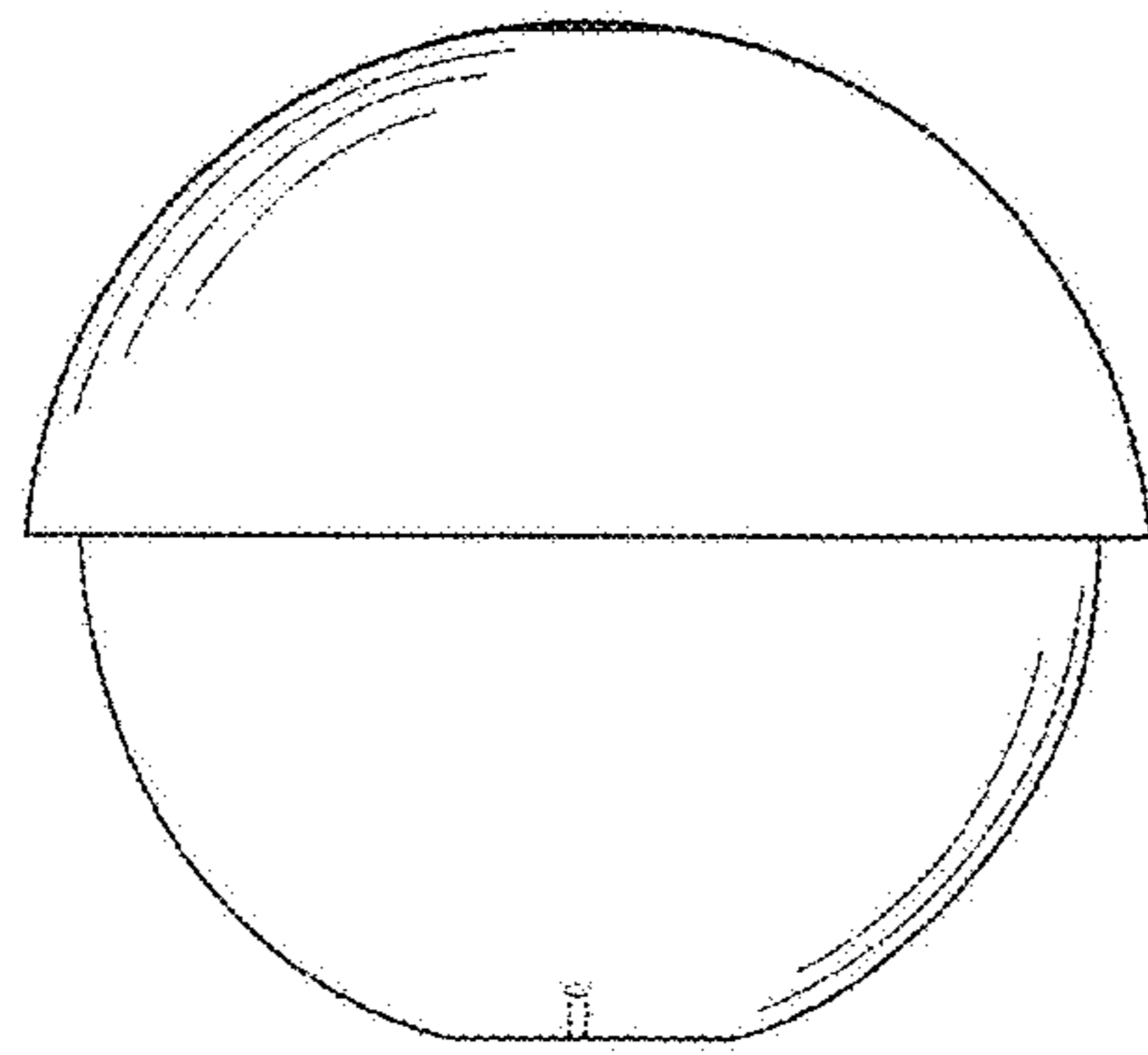


FIG. 11

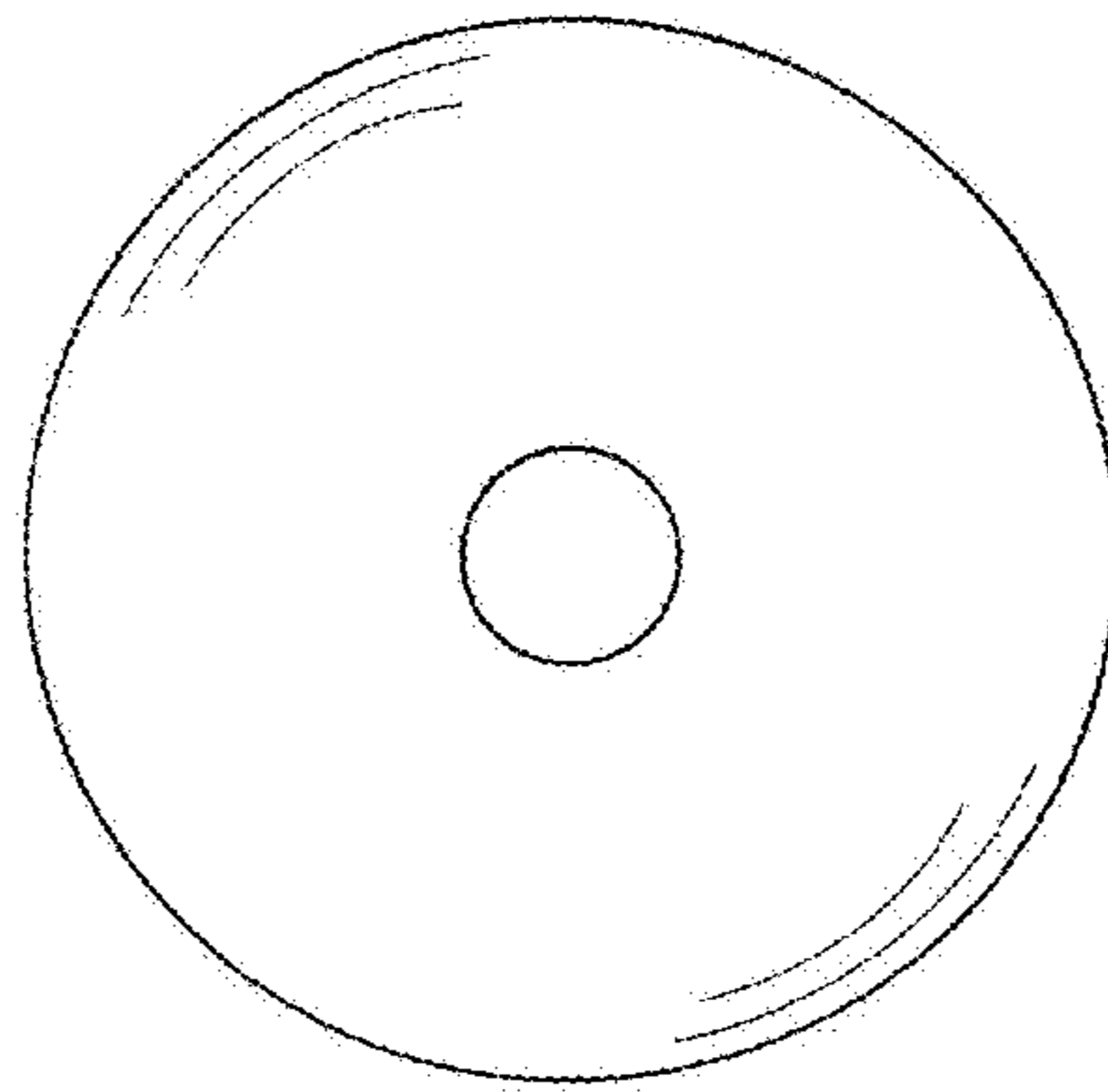


FIG. 12

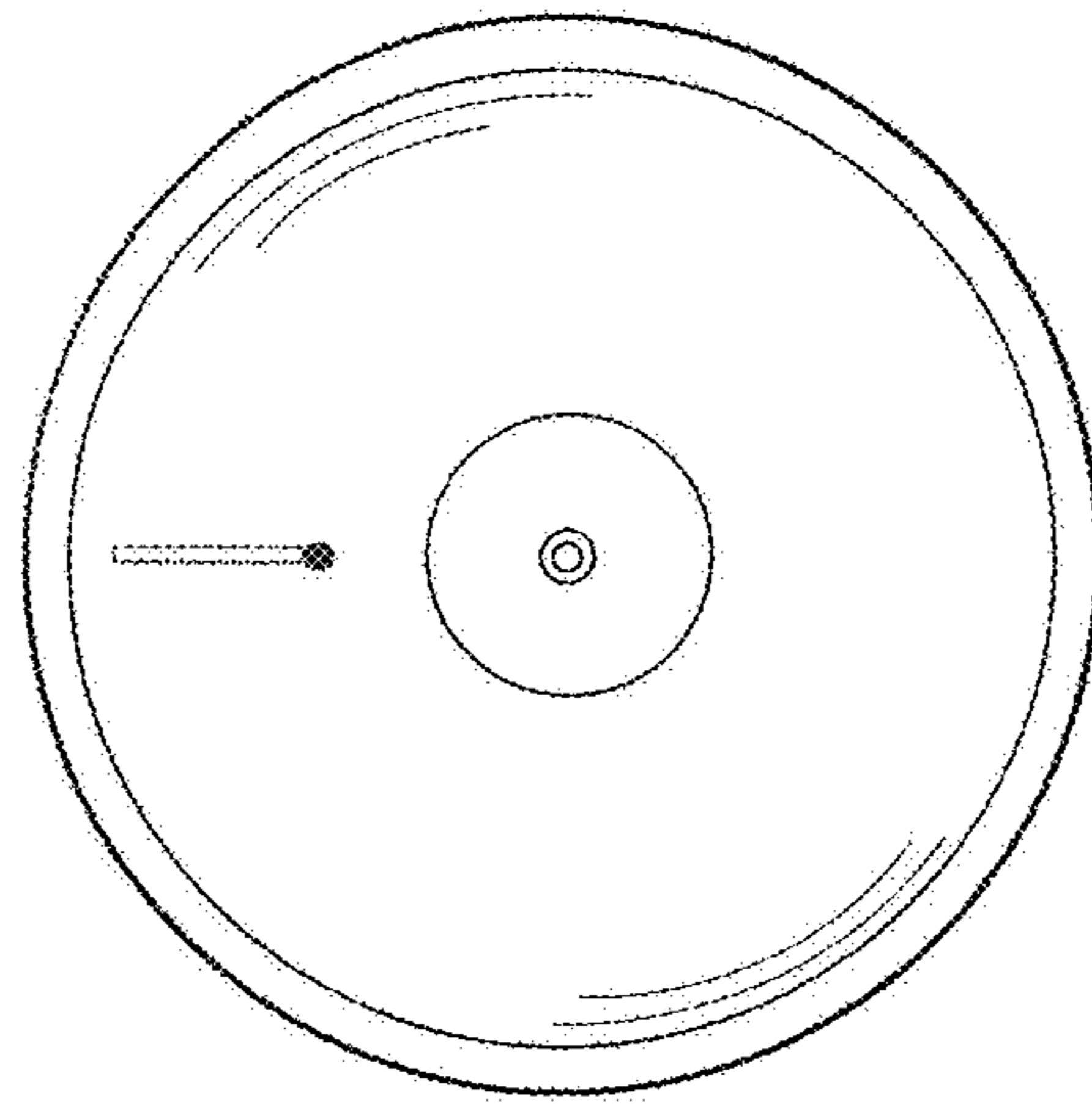


FIG. 13

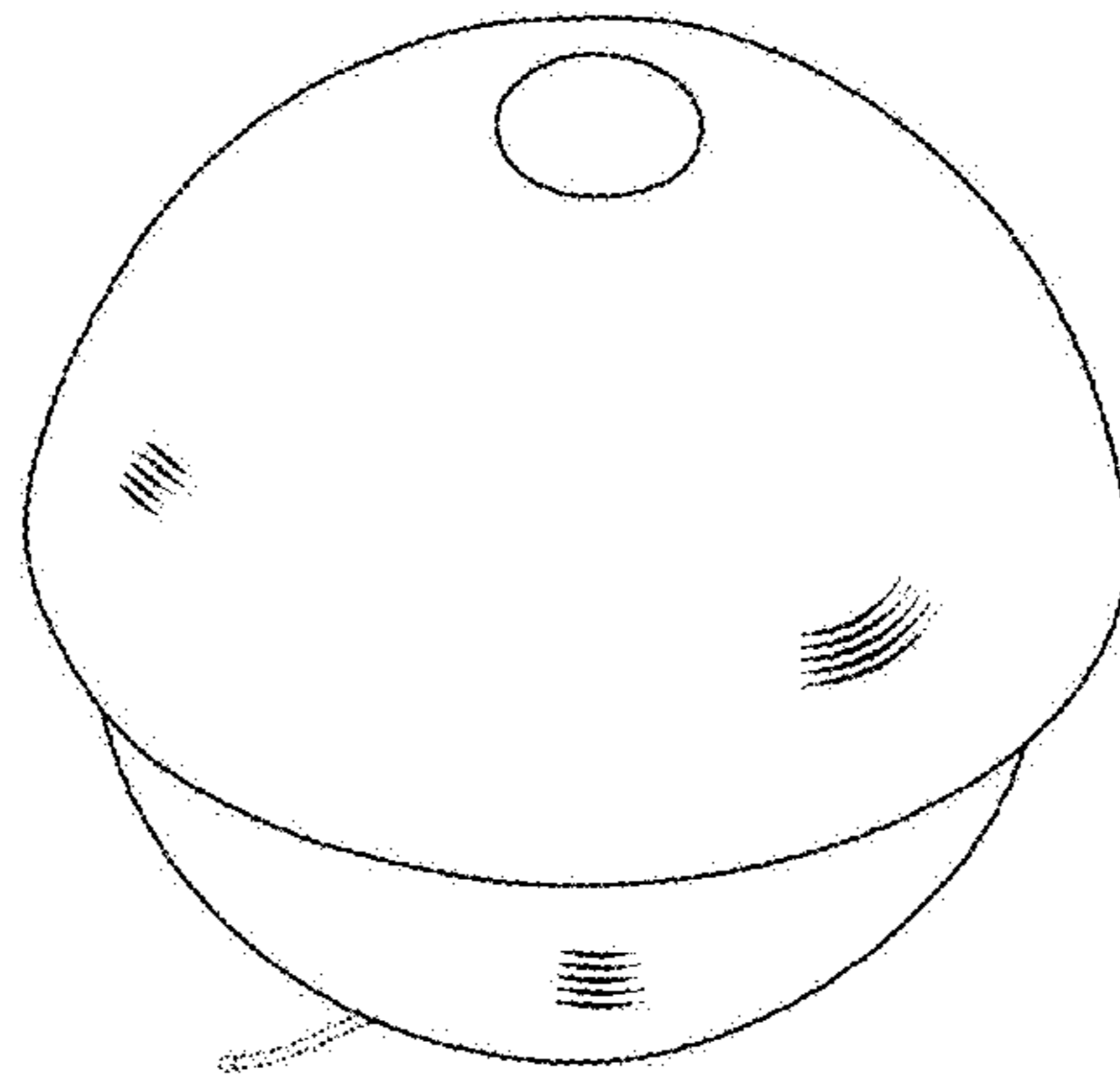


FIG. 14