



US00D762912S

(12) **United States Design Patent**
Gevorkyan

(10) **Patent No.:** **US D762,912 S**

(45) **Date of Patent:** **** Aug. 2, 2016**

(54) **CRYSTAL LIGHT**

(71) Applicant: **Gor Gevorkyan**, Burbank, CA (US)

(72) Inventor: **Gor Gevorkyan**, Burbank, CA (US)

(**) Term: **14 Years**

(21) Appl. No.: **29/506,935**

(22) Filed: **Oct. 22, 2014**

(51) **LOC (10) Cl.** **26-03**

(52) **U.S. Cl.**
USPC **D26/104**

(58) **Field of Classification Search**
USPC D26/60-66, 72, 85, 87, 92, 86, 102, 104
CPC F21Y 2103/002; F21Y 2101/02; F21S
10/00; F21V 21/30; F21V 14/02; F21V 21/00
See application file for complete search history.

(56) **References Cited**

U.S. PATENT DOCUMENTS

D650,109 S * 12/2011 Maxik D26/63
D666,345 S * 8/2012 Wang D26/63

D693,507 S * 11/2013 Fletcher D26/63
D702,387 S * 4/2014 Pedersen D26/63
D711,576 S * 8/2014 Zhan D26/63

* cited by examiner

Primary Examiner — Brian N Vinson

(74) *Attorney, Agent, or Firm* — Dunlap Bennett & Ludwig
PLLC

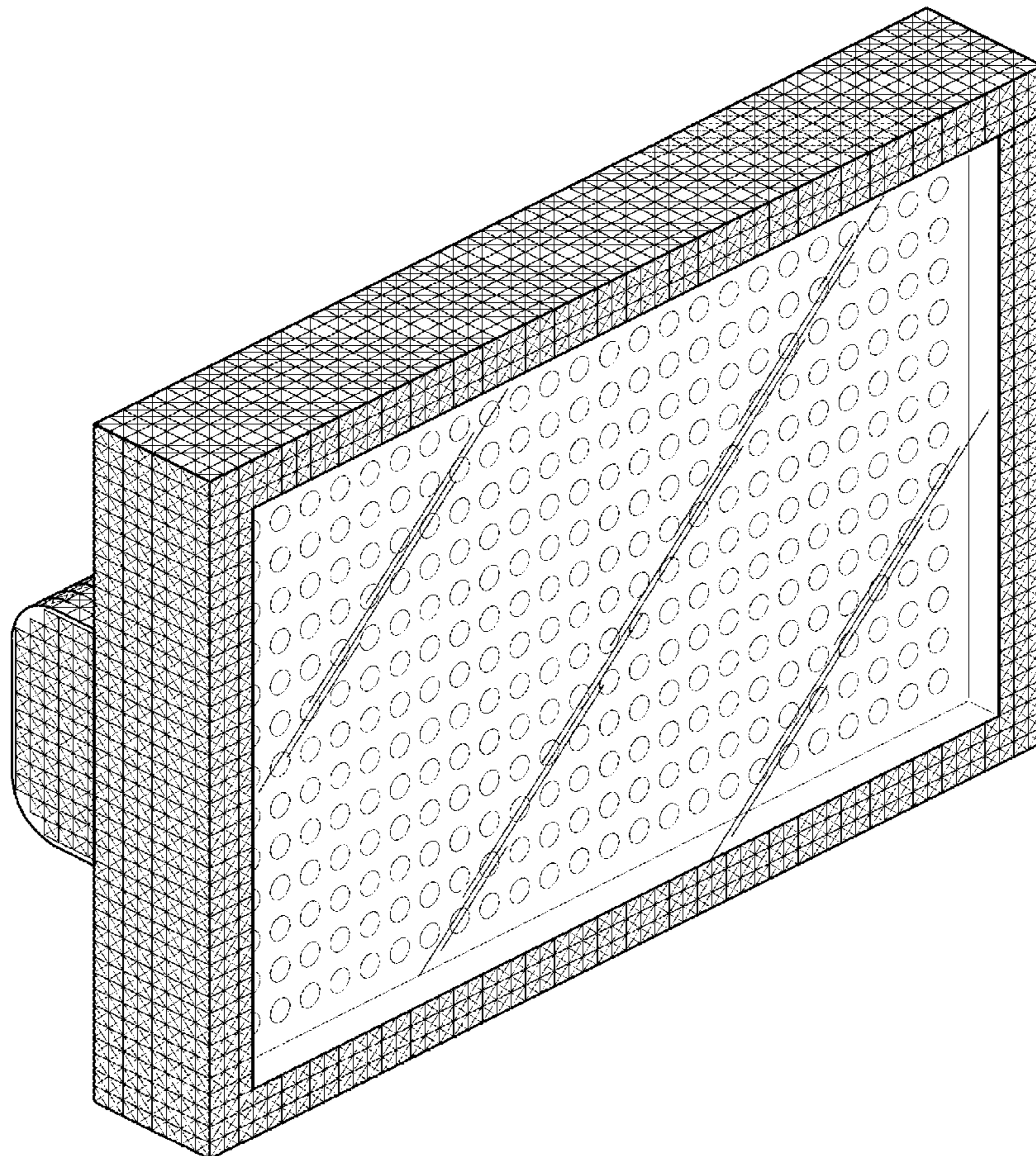
(57) **CLAIM**

The ornamental design for a crystal light, as shown and described.

DESCRIPTION

FIG. 1 is a perspective front view of a crystal light;
FIG. 2 is a front elevation view of the crystal light;
FIG. 3 is a rear elevation view of the crystal light;
FIG. 4 is a left side elevation view of the crystal light; the right
side view being a mirror image thereof;
FIG. 5 is a top plan view of the crystal light; and,
FIG. 6 is a bottom plan view of the crystal light.

1 Claim, 4 Drawing Sheets



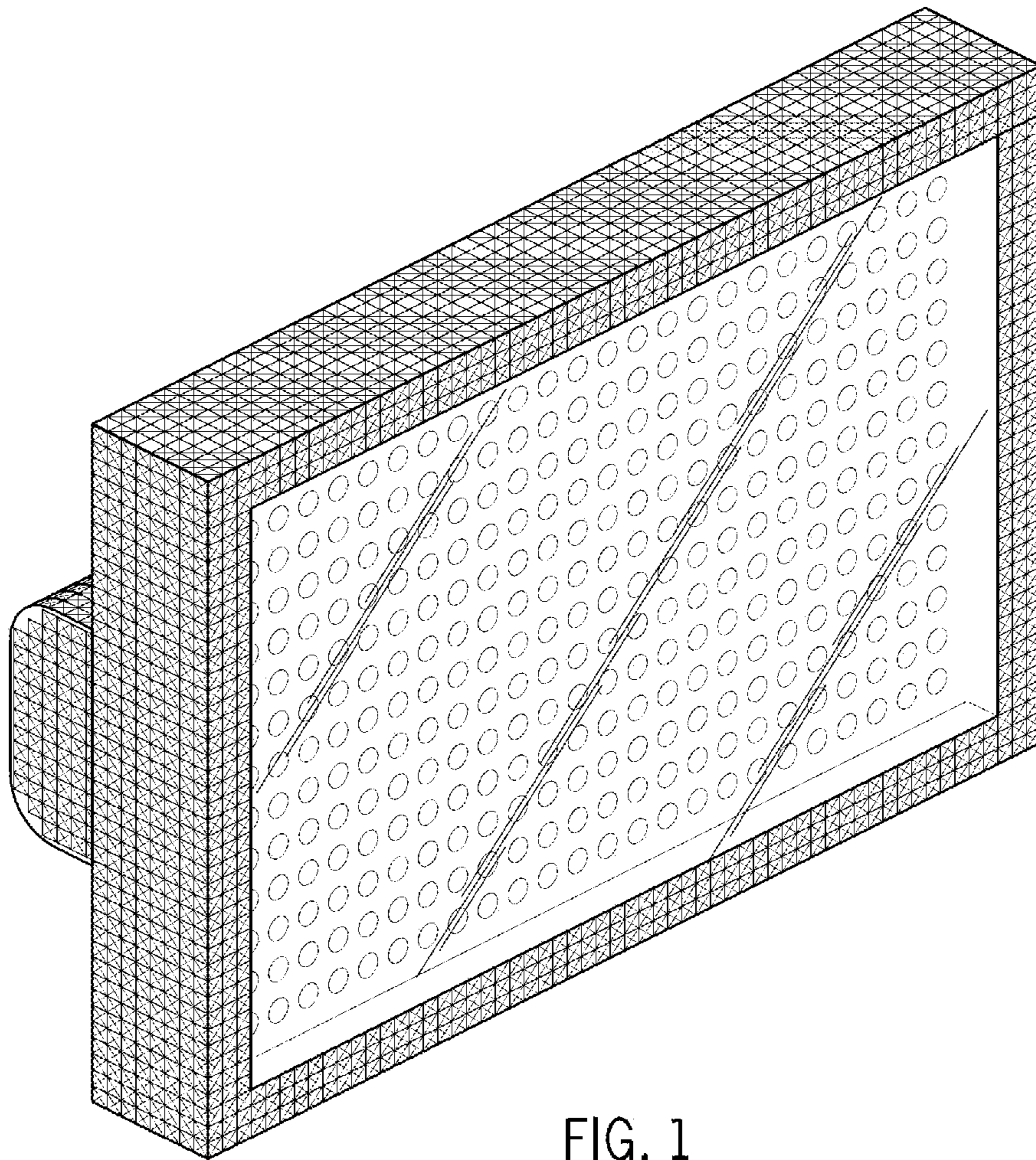


FIG. 1

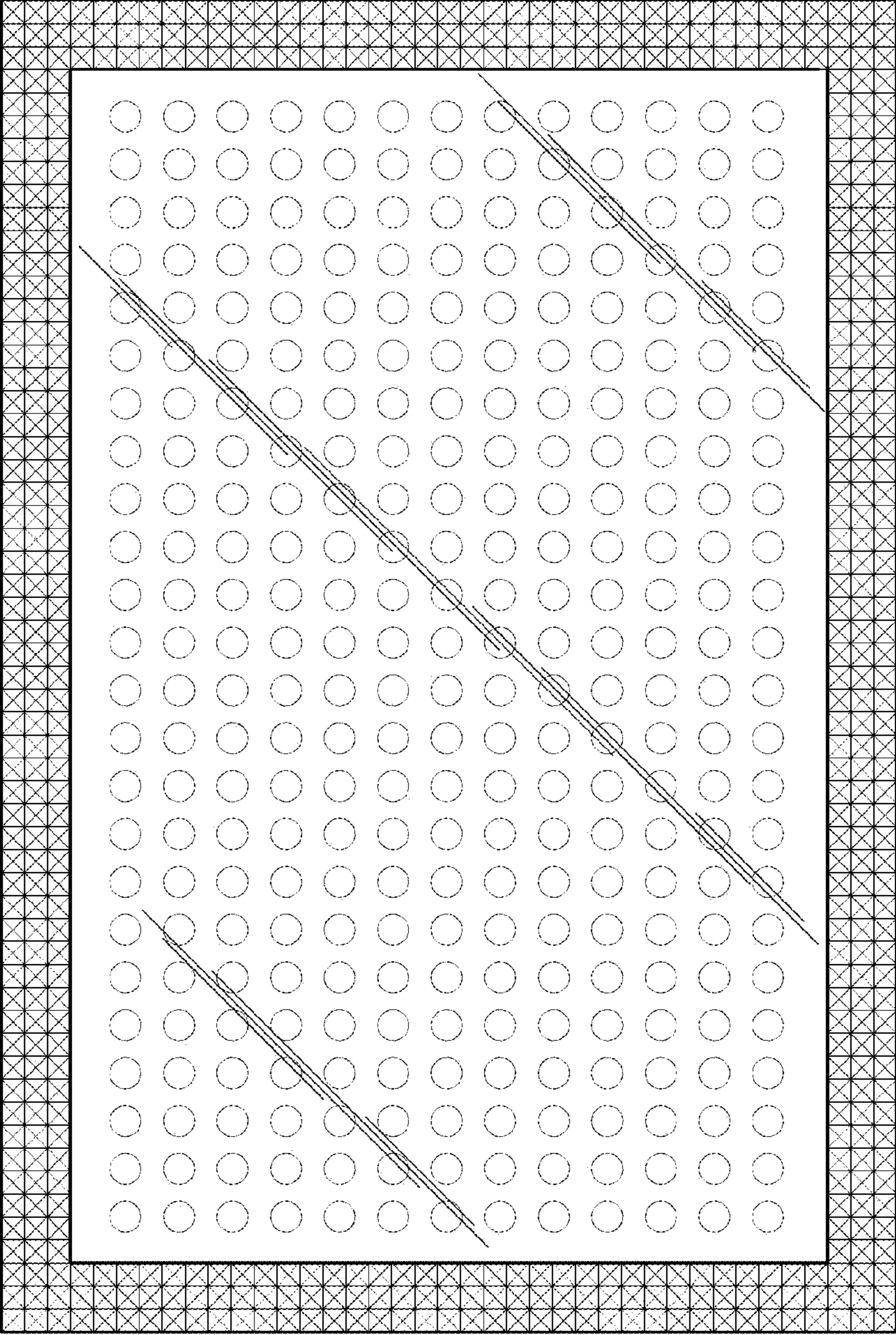


FIG. 2

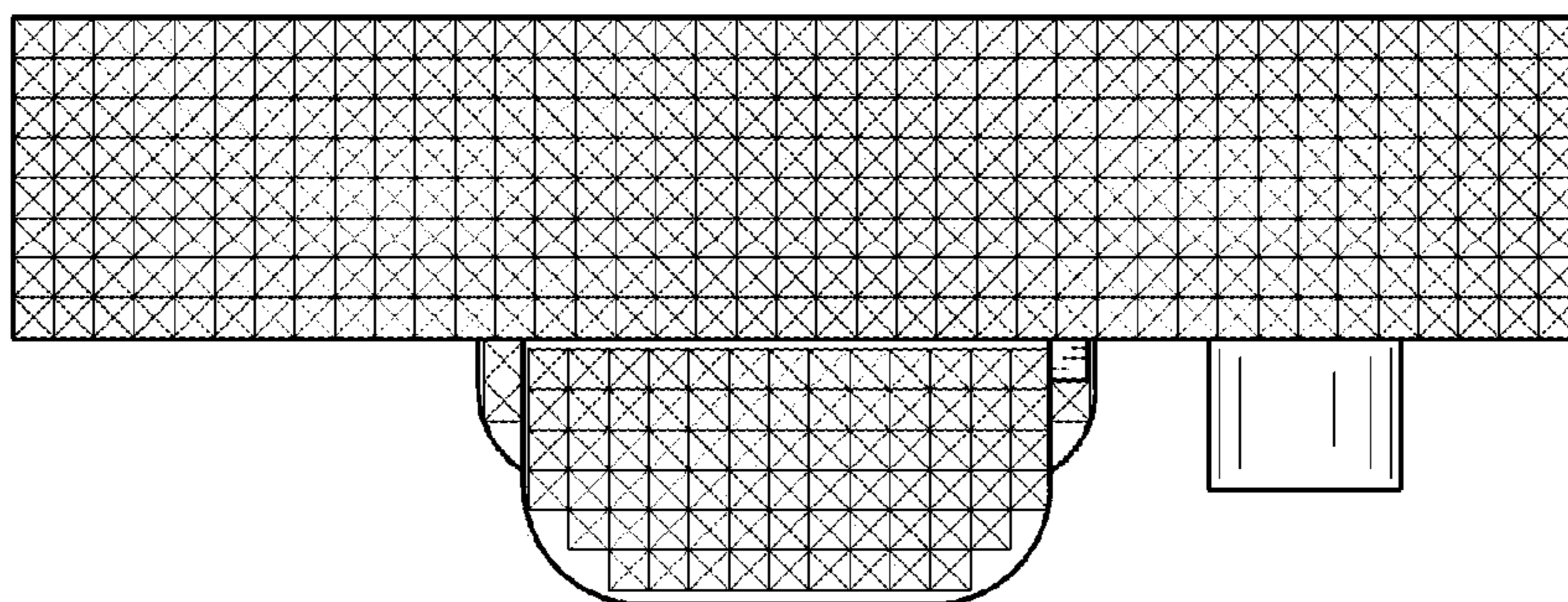


FIG. 4

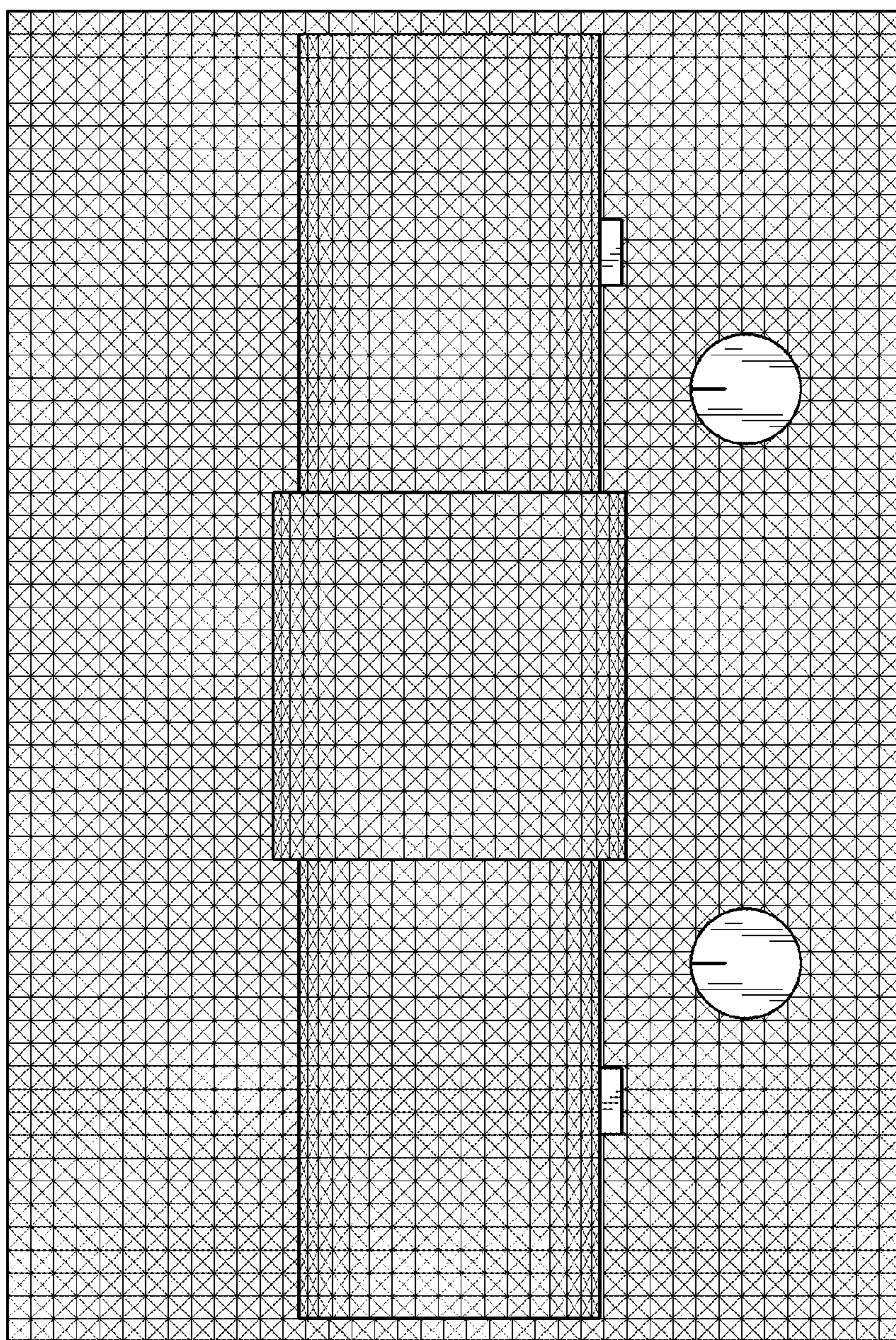


FIG. 3

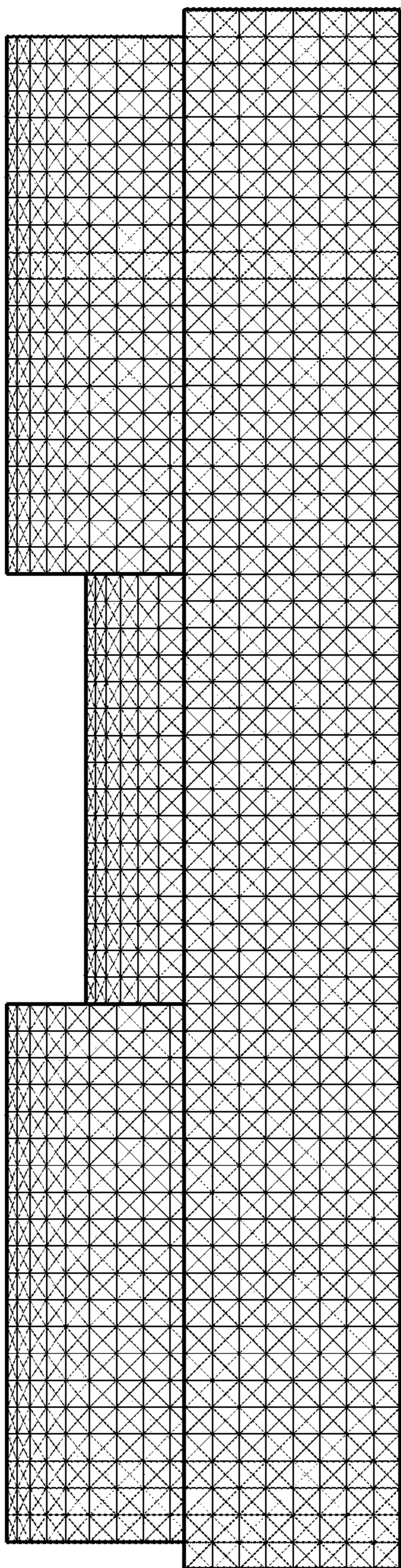


FIG. 5

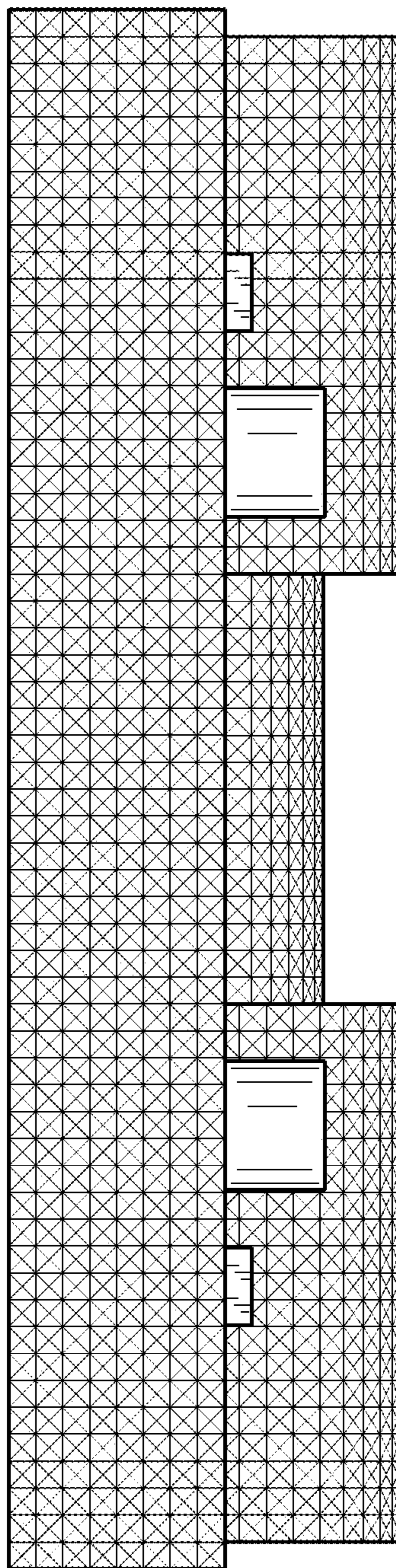


FIG. 6