



US00D762911S

(12) **United States Design Patent**  
**Blum et al.**

(10) **Patent No.:** **US D762,911 S**  
(45) **Date of Patent:** **\*\* Aug. 2, 2016**

(54) **LUMINAIRE**

(71) Applicant: **ABL IP Holding, LLC**, Conyers, GA (US)

(72) Inventors: **Darren Blum**, San Mateo, CA (US);  
**Michael Trung Tran**, Oakland, CA (US)

(73) Assignee: **ABL IP Holding, LLC**, Conyers, GA (US)

(\*\*) Term: **14 Years**

(21) Appl. No.: **29/525,771**

(22) Filed: **May 1, 2015**

(51) **LOC (10) Cl.** ..... **26-03**

(52) **U.S. Cl.**  
USPC ..... **D26/88; D26/90**

(58) **Field of Classification Search**  
USPC ..... D26/63, 65, 76, 80-91, 118  
CPC ..... F21S 8/06; F21S 8/061; F21S 8/063;  
F21S 8/065; F21S 8/068; F21V 3/0418;  
F21V 3/0427; F21V 3/0436; F21V 3/0445;  
F21V 21/008; F21V 21/104  
See application file for complete search history.

(56) **References Cited**

U.S. PATENT DOCUMENTS

D234,621 S *	3/1975	Muller	.....	D26/80
D454,971 S *	3/2002	Crosby	.....	D26/85
D575,892 S *	8/2008	Chandler	.....	D26/76
D595,446 S *	6/2009	Pedersen	.....	D26/84
D606,231 S	12/2009	Sabernig		
D626,275 S	10/2010	Sabernig		
D642,319 S *	7/2011	Sprengers	.....	D26/85
D643,566 S *	8/2011	Hickok	.....	D26/120
D645,196 S *	9/2011	Hickok	.....	D26/120
D654,212 S	2/2012	Blum et al.		

(Continued)

Primary Examiner — Clare E Heflin

(74) Attorney, Agent, or Firm — Beeson Skinner Beverly, LLP

(57) **CLAIM**

The ornamental design for a luminaire, as shown and described.

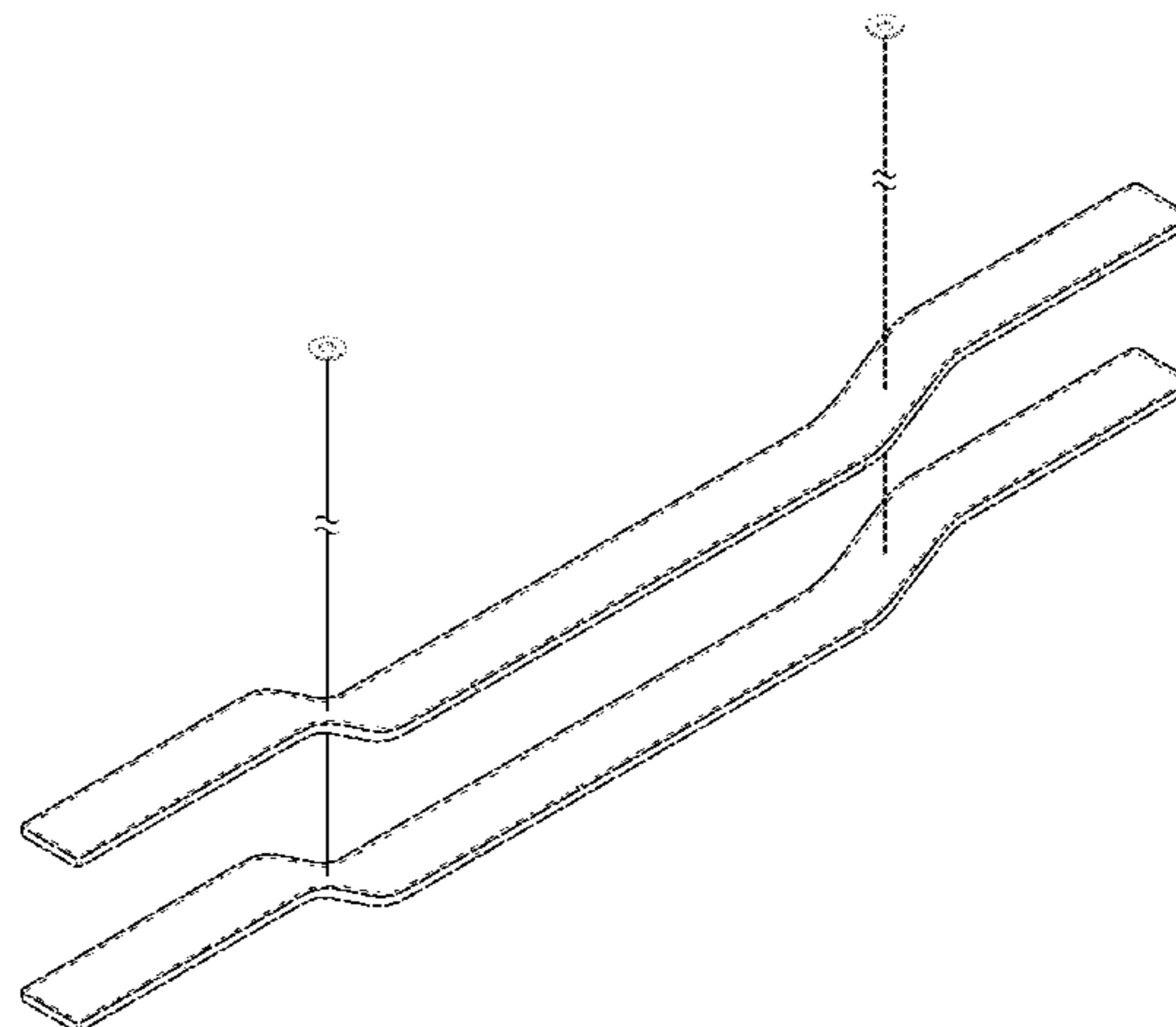
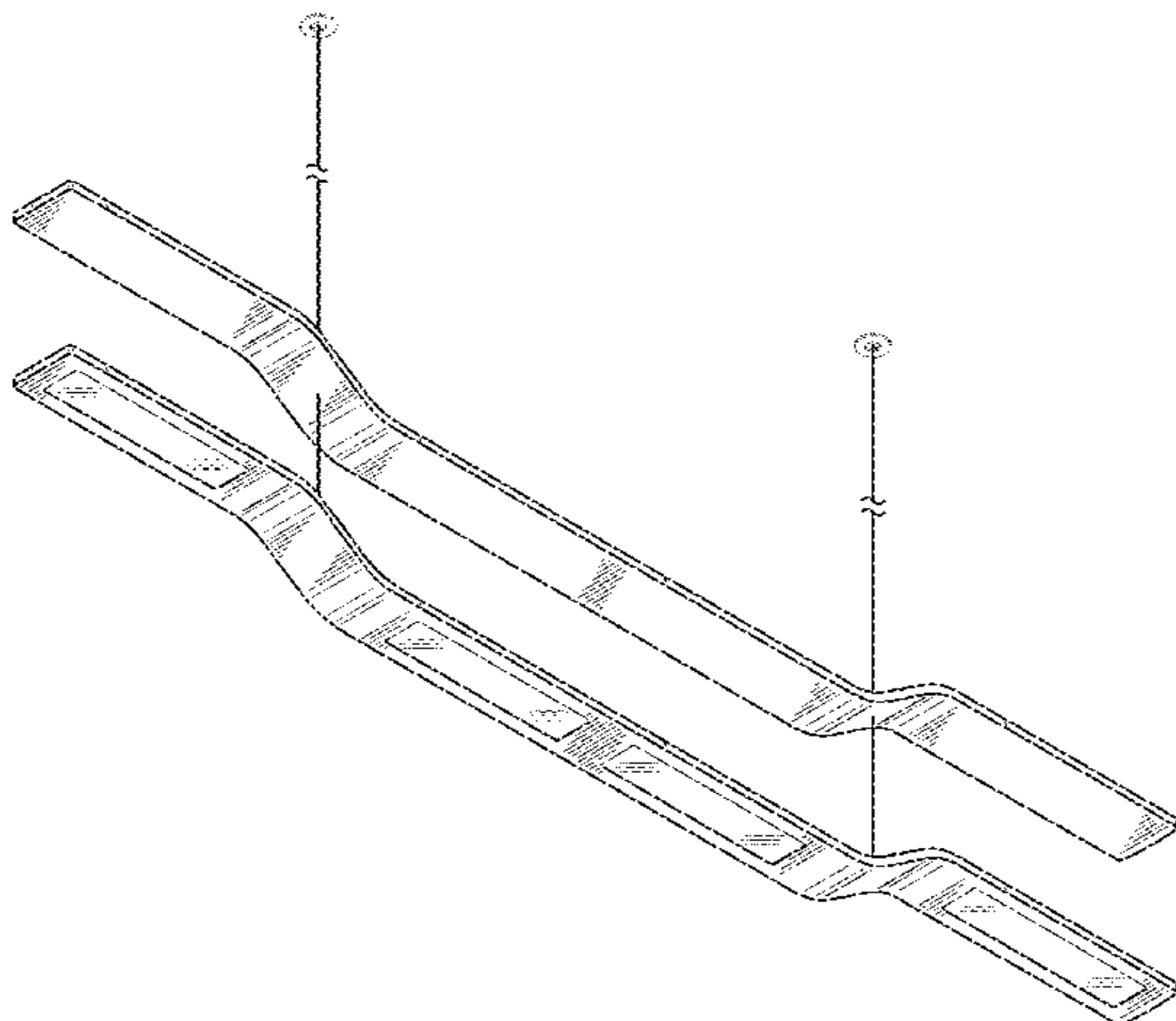
**DESCRIPTION**

FIG. 1 is a bottom perspective view of a luminaire showing our new design;  
FIG. 2 is a top perspective view thereof;  
FIG. 3 is a side elevational view thereof, the opposite side being a mirror image;  
FIG. 4 is an end elevational view thereof, the opposite end being a mirror image;  
FIG. 5 is a top plan view thereof; and  
FIG. 6 is a bottom plan view thereof.  
FIG. 7 is a bottom perspective view of a luminaire showing an alternative embodiment of our new design;  
FIG. 8 is a top perspective view thereof;  
FIG. 9 is a side elevational view thereof, the opposite side being a mirror image;  
FIG. 10 is an end elevational view thereof, the opposite end being a mirror image;  
FIG. 11 is a top plan view thereof; and  
FIG. 12 is a bottom plan view thereof.

The suspension cables for the luminaire are shown broken away to indicate indefinite length.  
In the embodiment of the luminaire shown in FIGS. 1-6, the broken line discs shown in FIGS. 1-4 represent ceiling plates, and the broken line rectangles shown in FIG. 2 represent area light sources such as OLEDs. The ceiling plates and area light sources shown in broken lines form no part of this embodiment of our claimed design.

In the embodiment of the luminaire shown in FIGS. 7-12, the broken line discs shown in FIGS. 7-9 represent ceiling plates, and the broken line rectangles shown in FIGS. 7-8 and FIG. 12 represent area light sources such as OLEDs. The ceiling plates and area light sources shown in broken lines form no part of this embodiment of our claimed design. The large broken line rectangles shown in FIGS. 8 and 11 are boundary lines; the area within the boundary lines forms no part of this embodiment of the claimed design.

**1 Claim, 6 Drawing Sheets**



(56)

**References Cited**

U.S. PATENT DOCUMENTS

D655,439 S *	3/2012	Sabernig .....	D26/83	D703,864 S	4/2014	Blum et al.	
D664,282 S *	7/2012	Santoro .....	D26/76	D713,589 S	9/2014	Blum et al.	
D676,997 S	2/2013	Tang et al.		D713,591 S	9/2014	Blum et al.	
D681,254 S *	4/2013	Blum .....	D26/83	D724,250 S *	3/2015	Tran .....	D26/85
8,430,530 B2	4/2013	Aurongzeb et al.		D730,560 S *	5/2015	Tran .....	D26/85
D685,945 S	7/2013	Lindsley et al.		D742,575 S *	11/2015	Blum .....	D26/85
D697,248 S	1/2014	Martin		D745,735 S *	12/2015	Tran .....	D26/80
D700,989 S *	3/2014	Rampolla .....	D26/88	2011/0157893 A1 *	6/2011	Ngai .....	F21S 2/00
D703,361 S *	4/2014	Kondou .....	D26/109				362/249.02
				2015/0060779 A1 *	3/2015	Kawahara .....	F21S 6/005
							257/40

\* cited by examiner

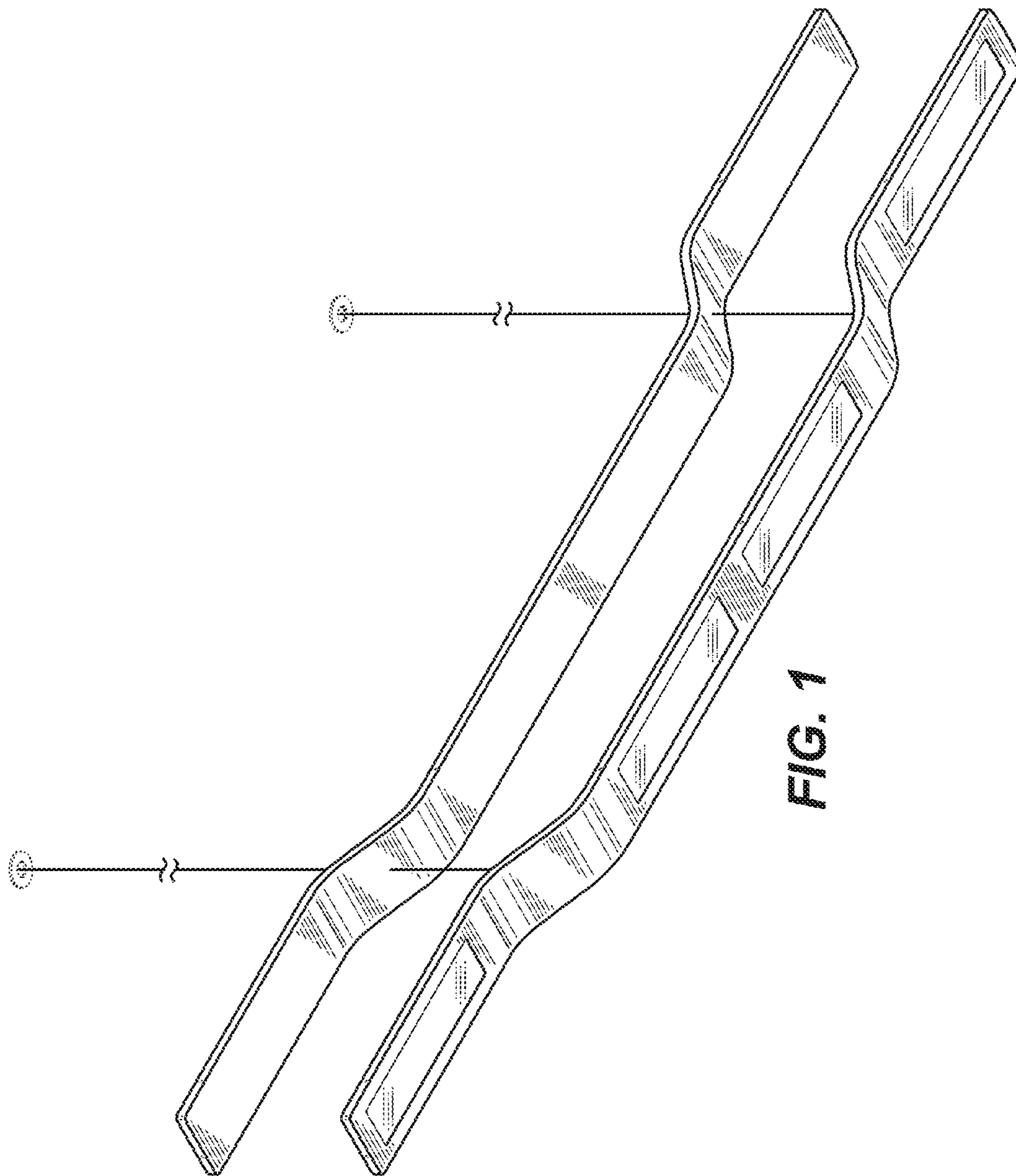
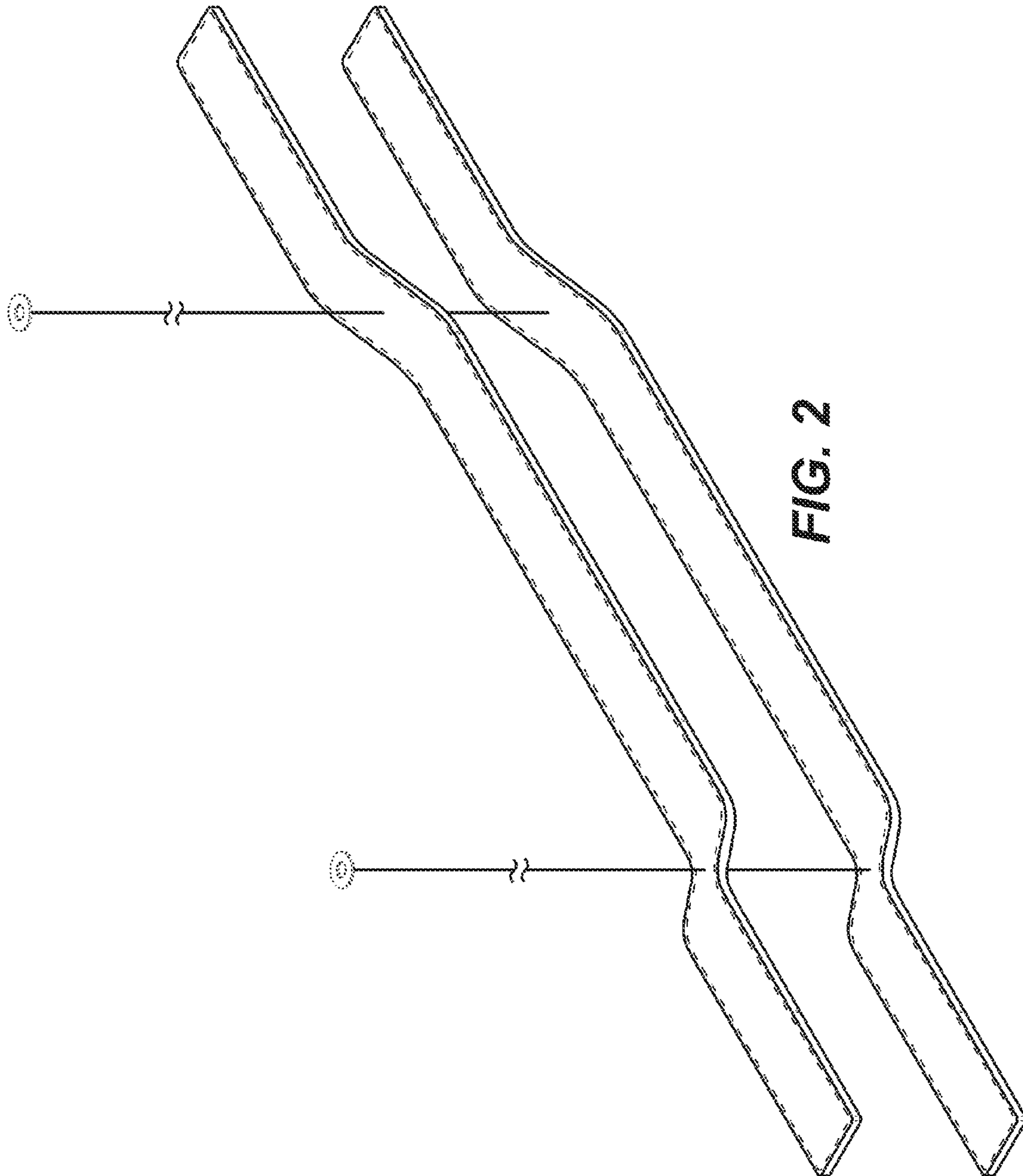


FIG. 1



FIG. 4





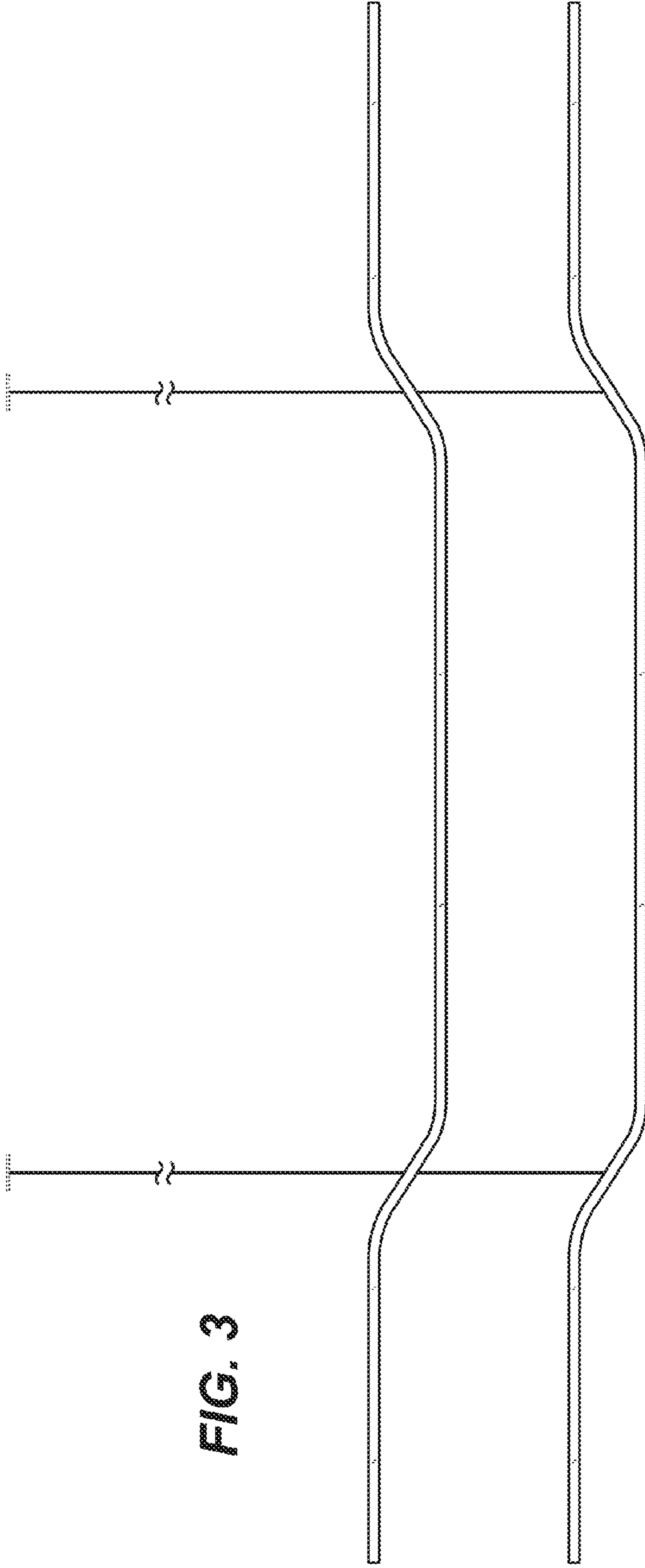


FIG. 3

FIG. 5

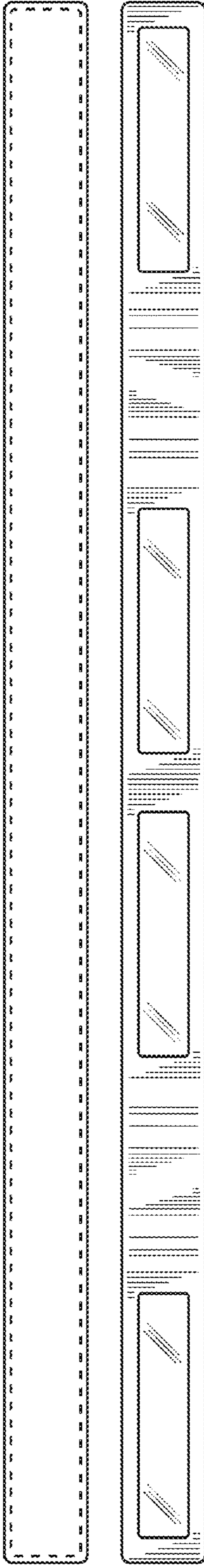


FIG. 6

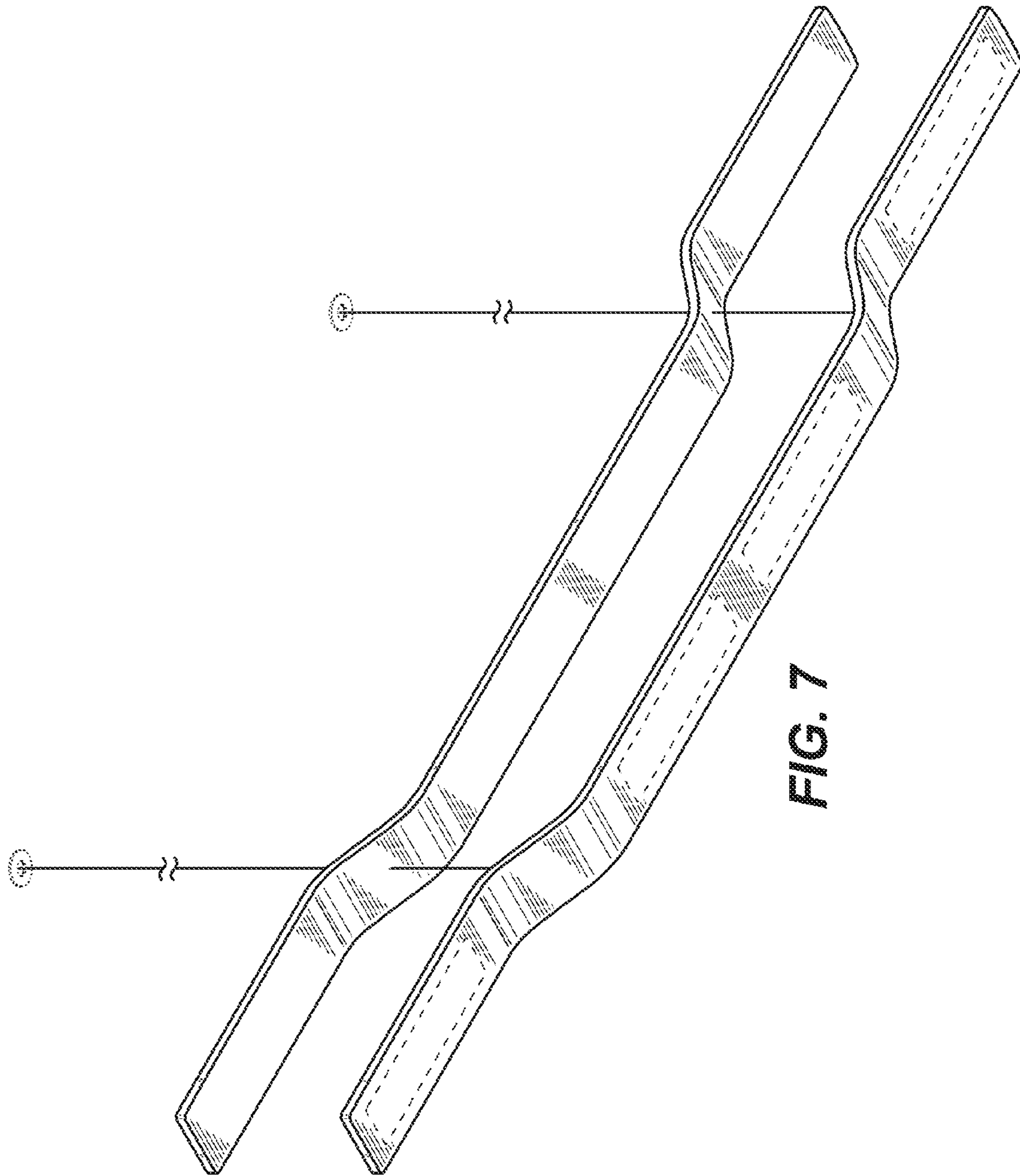
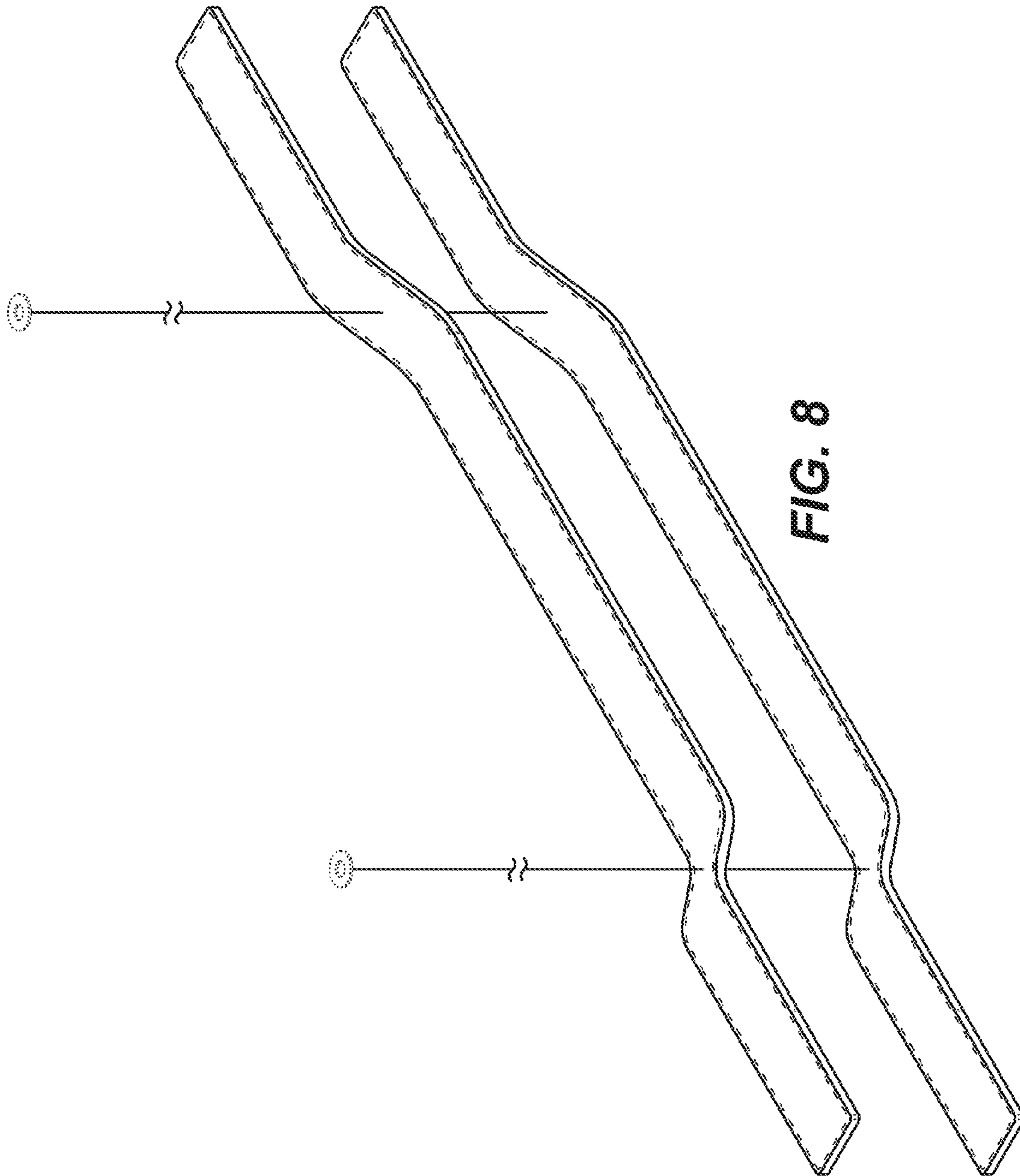


FIG. 7



FIG. 10



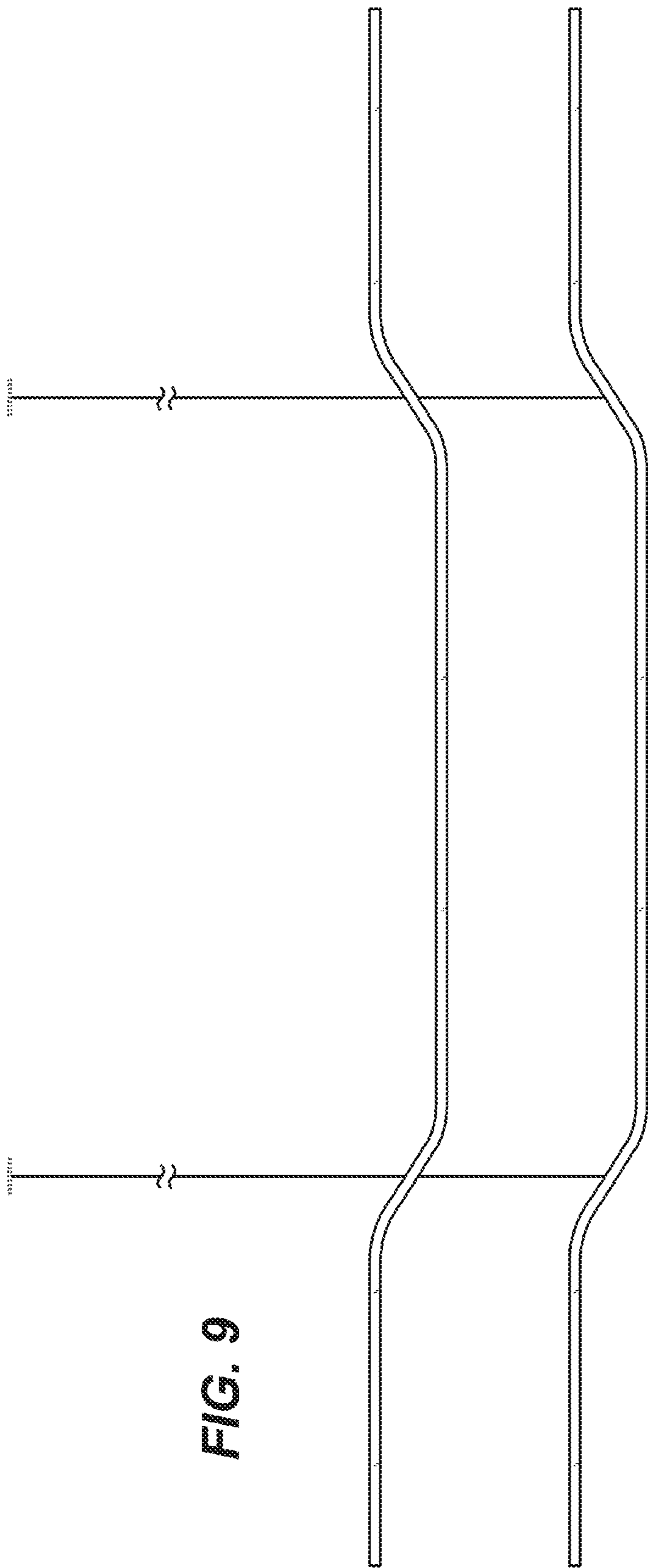


FIG. 9

FIG. 11



FIG. 12