

US00D762910S

(12) **United States Design Patent**
Park

(10) **Patent No.:** **US D762,910 S**

(45) **Date of Patent:** **** Aug. 2, 2016**

(54) **LIGHT**

(71) Applicant: **SWAROVSKI LIGHTING, LTD.**,
Plattsburgh, NY (US)

(72) Inventor: **Saewoo Park**, Plattsburgh, NY (US)

(73) Assignee: **SWAROVSKI LIGHTING, LTD.**,
Plattsburgh, NY (US)

(**) Term: **14 Years**

(21) Appl. No.: **29/523,402**

(22) Filed: **Apr. 9, 2015**

(51) **LOC (10) Cl.** **26-03**

(52) **U.S. Cl.**
USPC **D26/88; D26/90**

(58) **Field of Classification Search**
USPC D26/80-91, 118, 152, 155
CPC F21S 8/03; F21S 8/033; F21S 8/036;
F21S 8/04; F21S 8/043; F21S 8/046; F21S
8/06; F21S 8/061; F21S 8/063; F21S 8/065;
F21S 8/068; F21V 1/04; F21V 1/06; F21V
1/12; F21V 3/02; F21V 3/023; F21V 5/06
See application file for complete search history.

(56) **References Cited**

U.S. PATENT DOCUMENTS

1,868,692	A *	7/1932	Bruckmann	F21V 1/00 362/357
3,736,418	A *	5/1973	Havlova	F21S 8/04 362/354
D278,659	S *	4/1985	Lodrick, Sr.	D26/131
D311,773	S *	10/1990	Freeman	D23/411
5,941,631	A *	8/1999	Hsu	F21S 8/06 362/363

D443,100	S *	5/2001	Wu	D26/110
D566,321	S *	4/2008	Pickett	D26/128
D596,338	S *	7/2009	Sabernig	D26/88
D601,743	S *	10/2009	Sabernig	D26/88
D615,693	S *	5/2010	Thun	D26/88
D637,755	S *	5/2011	Rabideau	D26/128
D638,570	S *	5/2011	Verelst	D26/90
8,011,812	B2 *	9/2011	Schnitzer	F21S 8/081 362/311.01
D649,676	S *	11/2011	Chen	D26/87
D653,794	S *	2/2012	Friedman	D26/130
D668,376	S *	10/2012	Urquiola	D26/118
D668,377	S *	10/2012	Urquiola	D26/118
D697,662	S *	1/2014	Patterson	D26/118
D708,383	S *	7/2014	Miyake	D26/118

* cited by examiner

Primary Examiner — Clare E Heflin

(74) *Attorney, Agent, or Firm* — Heslin Rothenberg
Farley & Mesiti P.C.

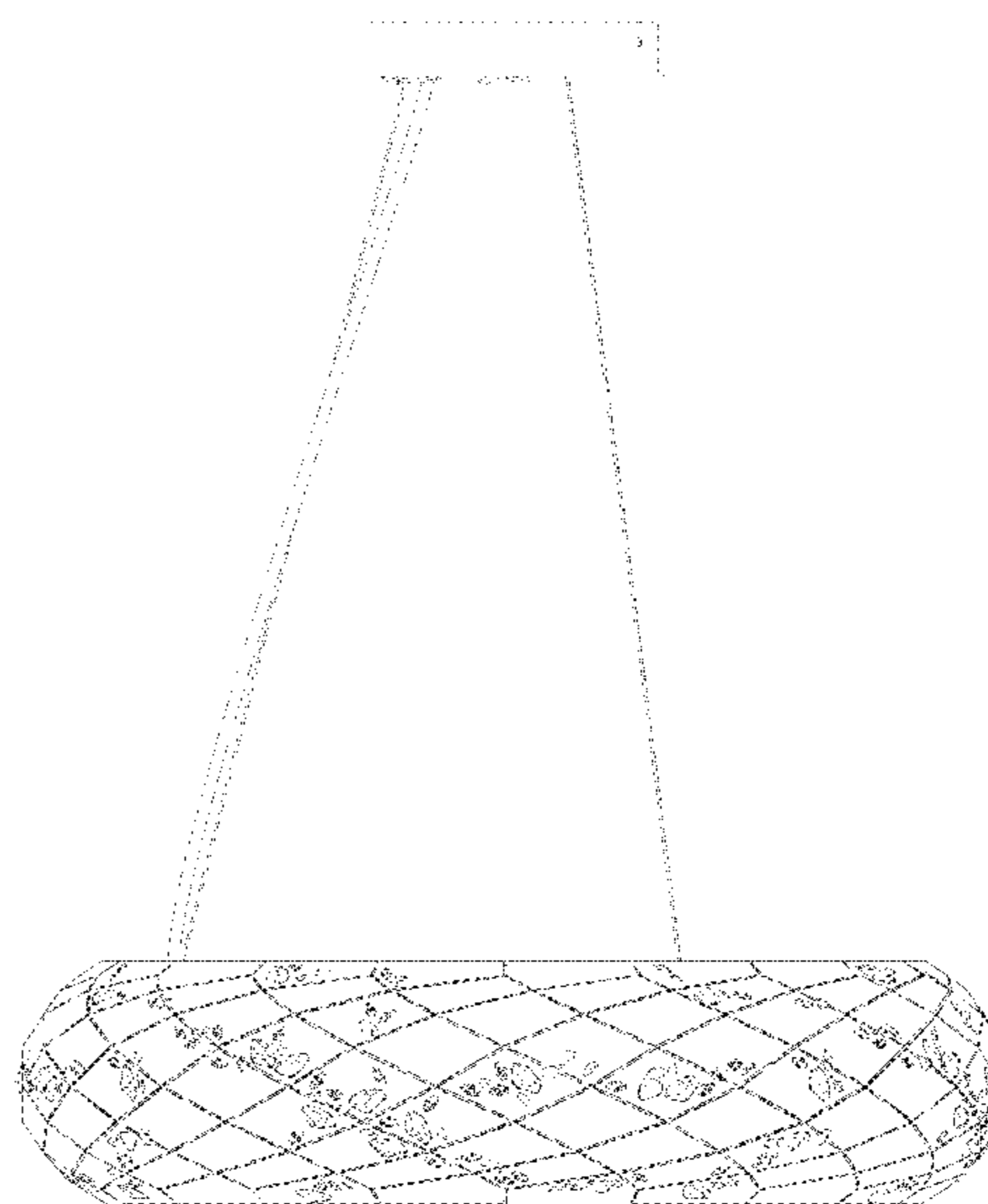
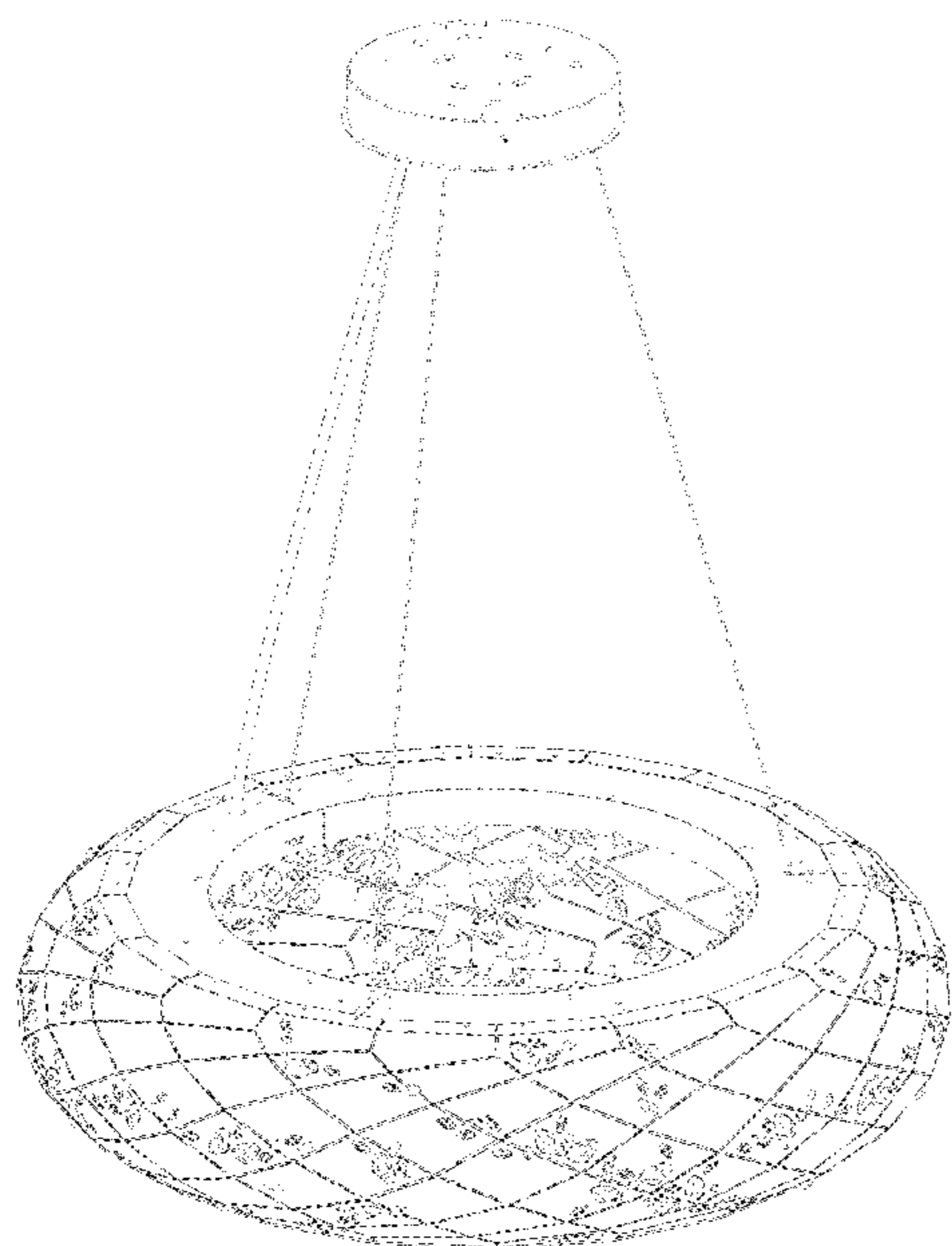
(57) **CLAIM**

The ornamental design for a light, as shown and described.

DESCRIPTION

FIG. 1 is a perspective view of the light of the present invention;
FIG. 2 is a front elevation view thereof;
FIG. 3 is a right side elevation view thereof;
FIG. 4 is a rear elevation view thereof;
FIG. 5 is a left side elevation view thereof;
FIG. 6 is a top plan view thereof;
FIG. 7 is a bottom plan view thereof; and,
FIG. 8 is a bottom plan view of the ceiling mount thereof.
The broken lines shown on the drawings depict portions of the light that form no part of the claimed design.

1 Claim, 8 Drawing Sheets



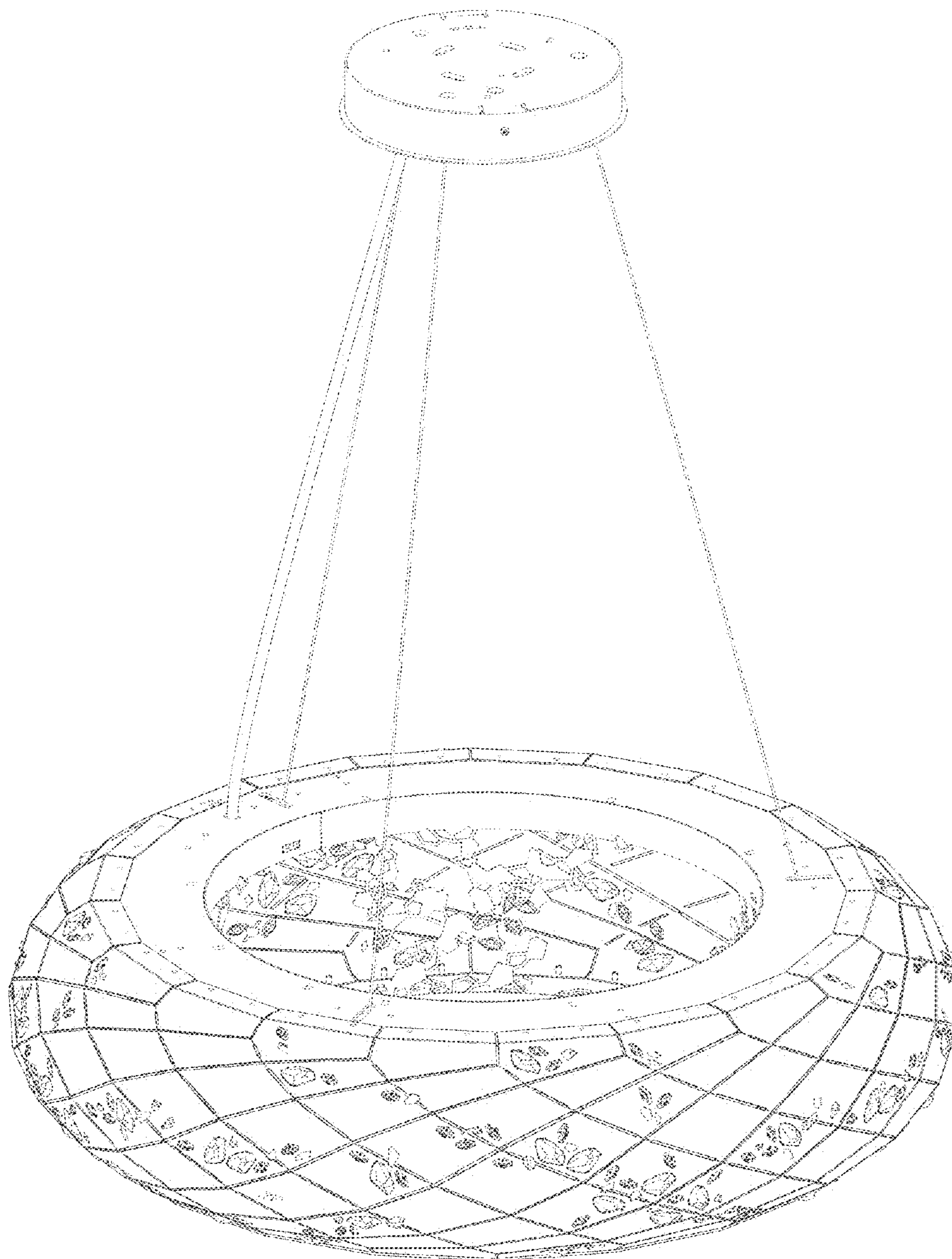


FIG. 1

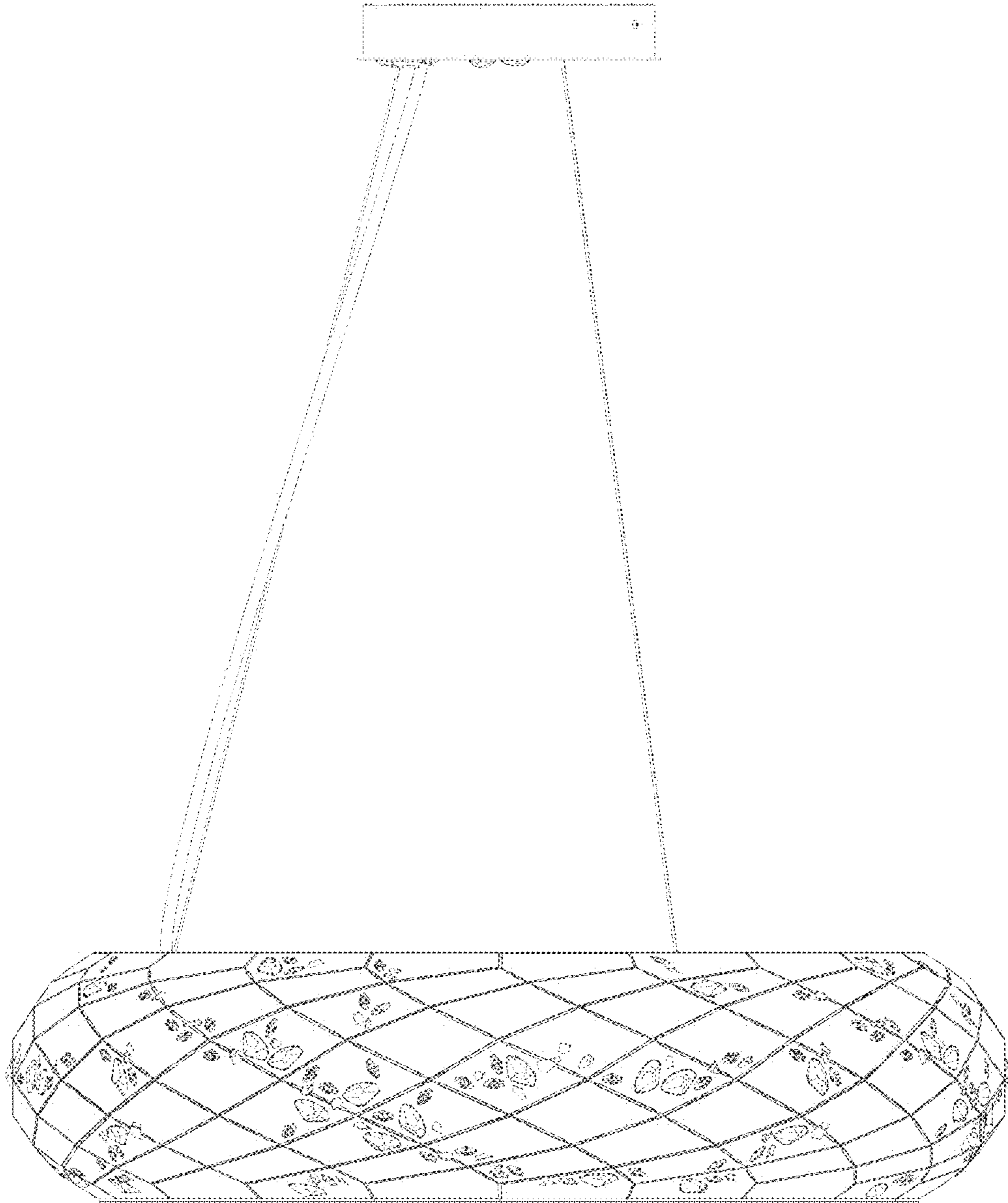


FIG. 2

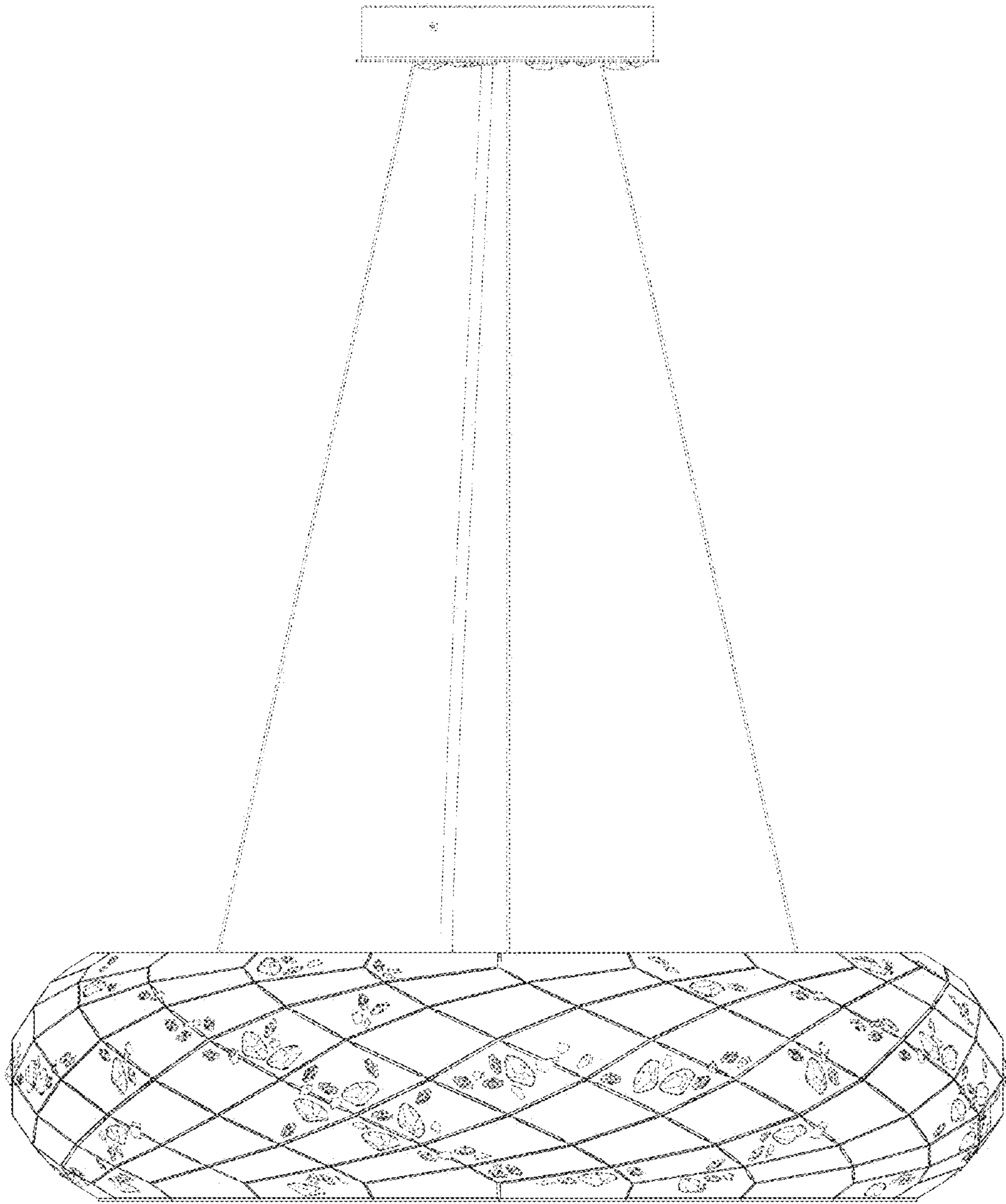


FIG. 3

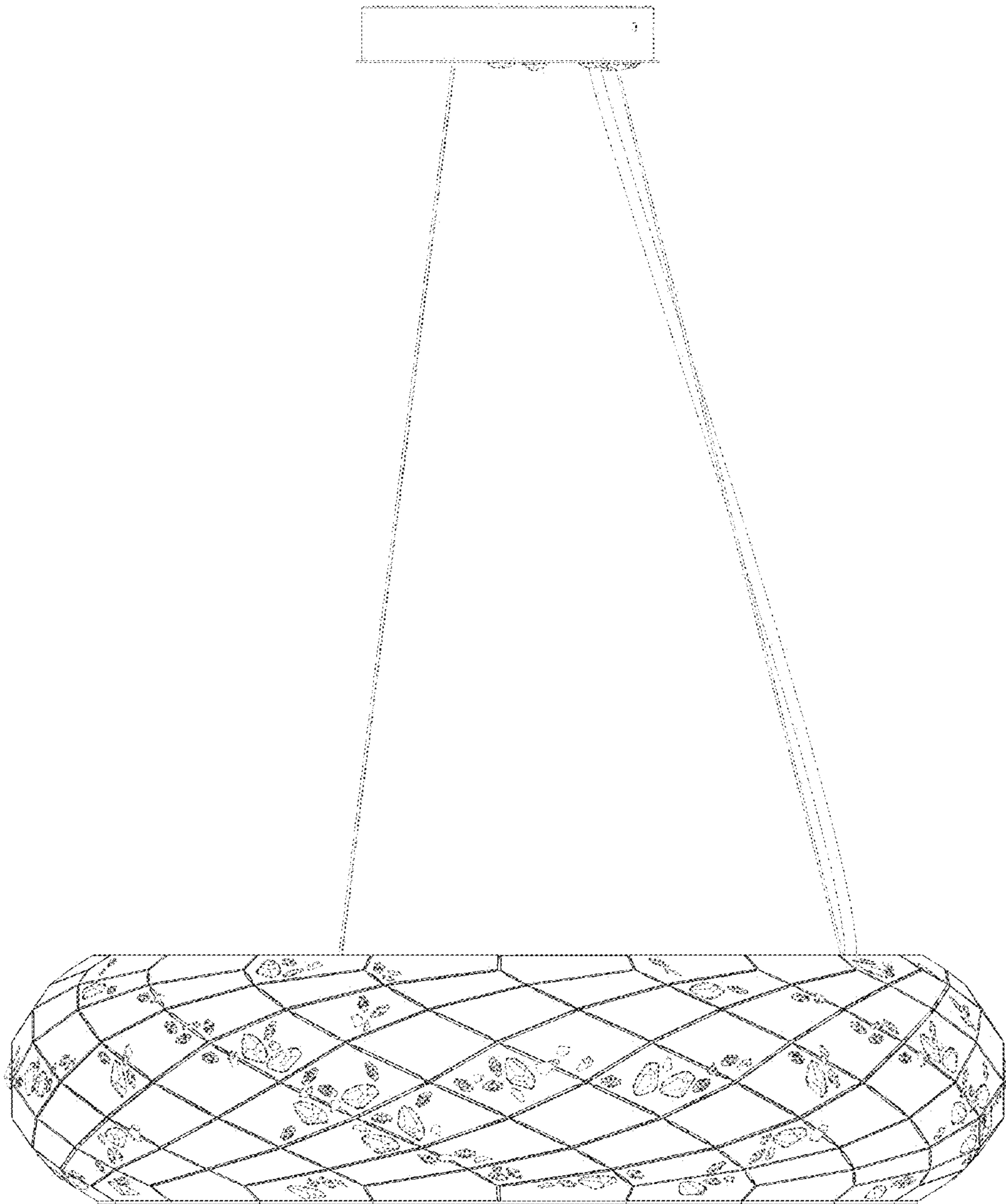


FIG. 4

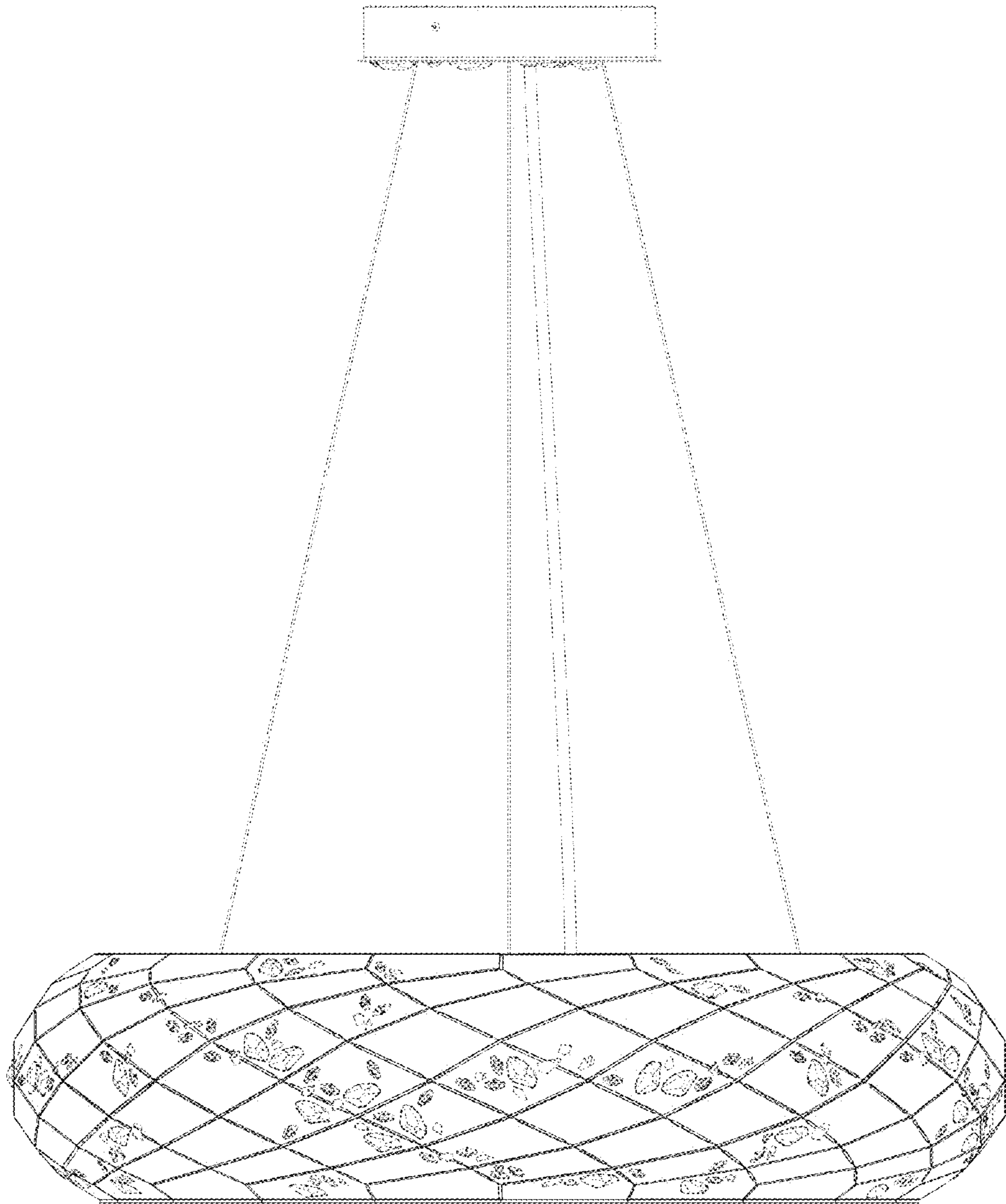


FIG. 5

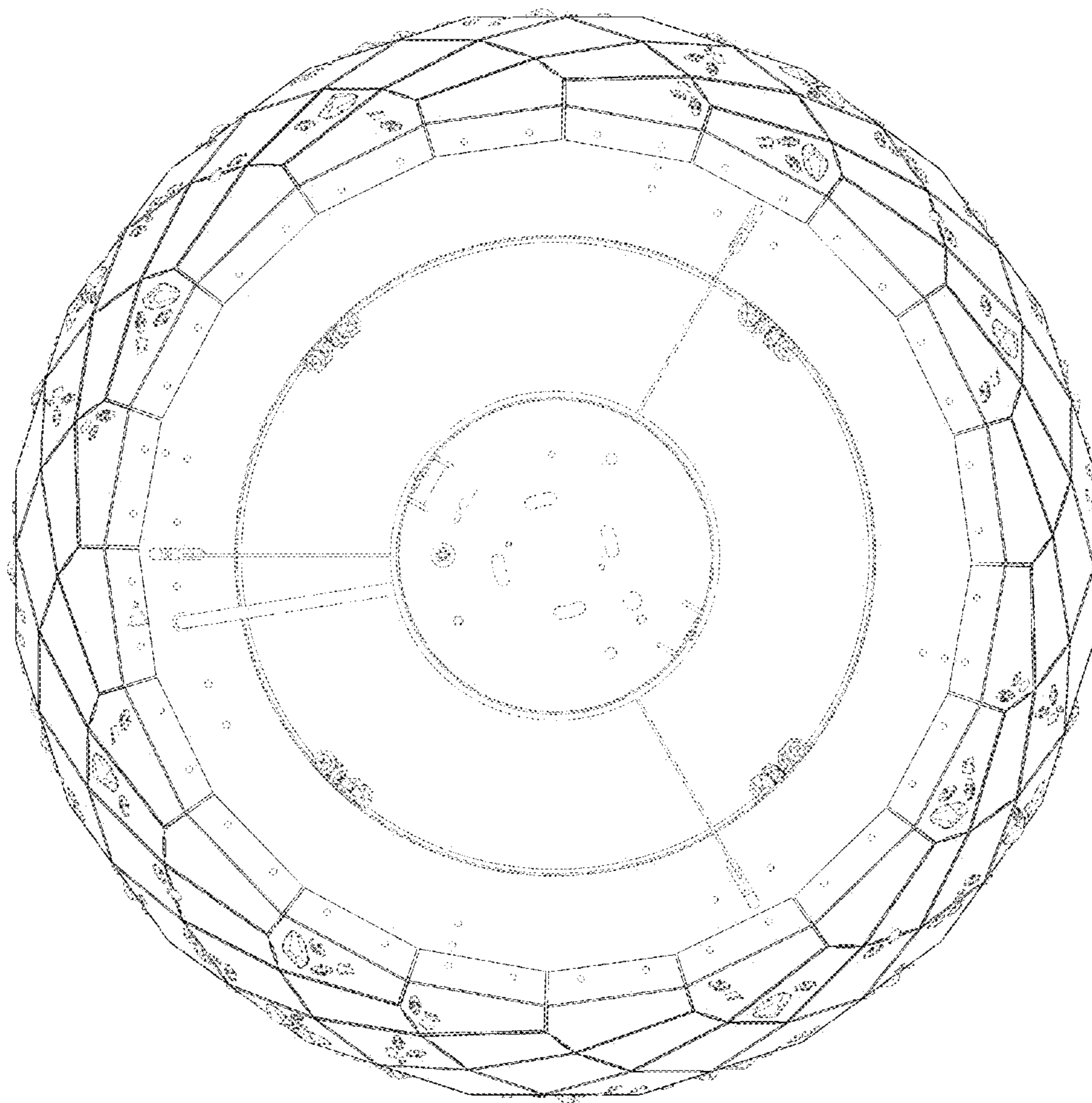


FIG. 6

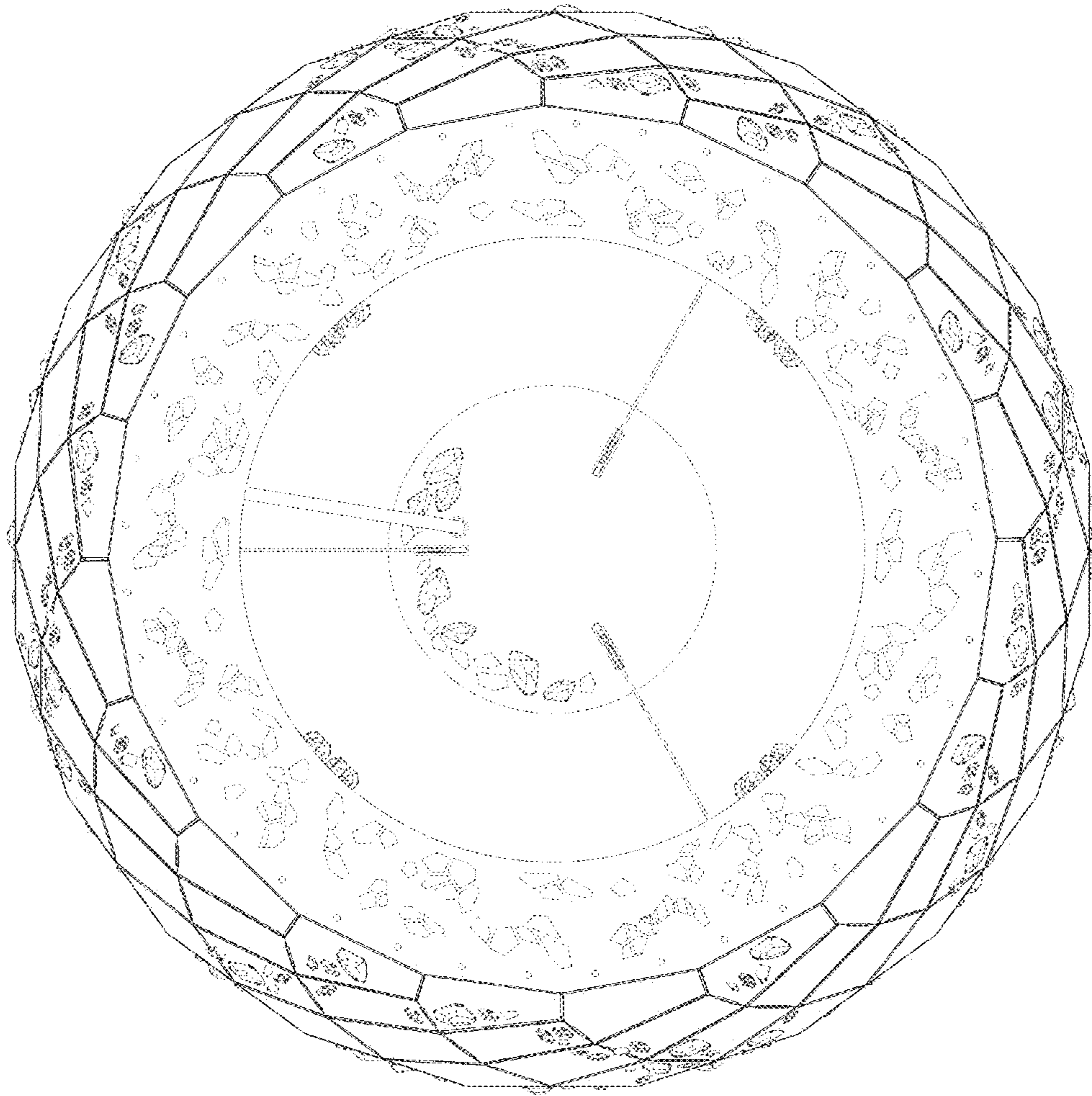


FIG. 7

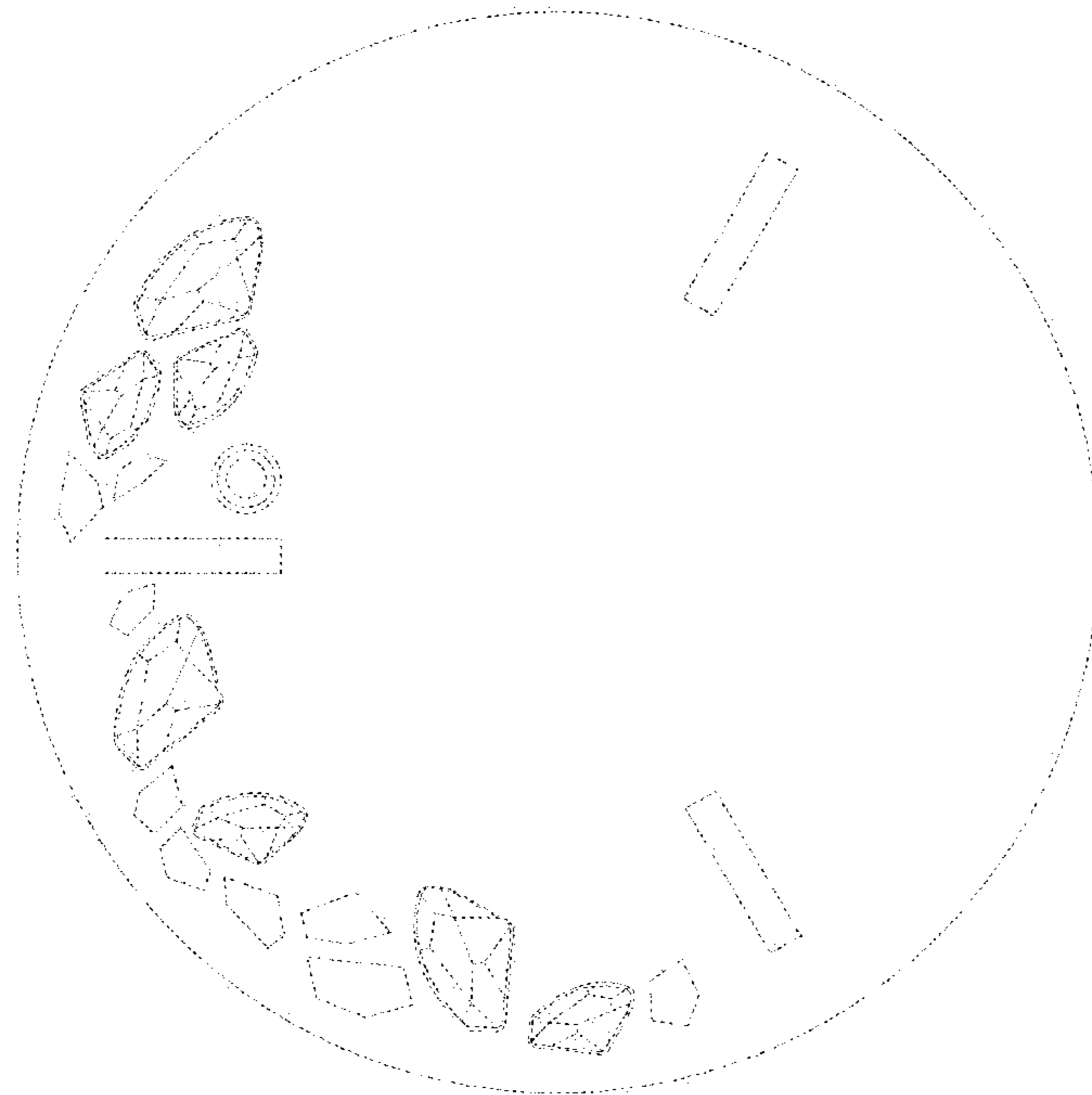


FIG. 8