



US00D762908S

(12) **United States Design Patent**
Blessitt et al.

(10) **Patent No.:** **US D762,908 S**
(45) **Date of Patent:** **** Aug. 2, 2016**

- (54) **EDGELIT BLADE LUMINAIRE**
- (71) Applicants: **James H. Blessitt**, Peachtree City, GA (US); **Paul W. Lewis, Jr.**, Grantville, GA (US)
- (72) Inventors: **James H. Blessitt**, Peachtree City, GA (US); **Paul W. Lewis, Jr.**, Grantville, GA (US)
- (73) Assignee: **Cooper Technologies Company**, Houston, TX (US)
- (**) Term: **14 Years**
- (21) Appl. No.: **29/490,935**
- (22) Filed: **May 15, 2014**

Related U.S. Application Data

- (63) Continuation of application No. 29/481,306, filed on Feb. 4, 2014, now Pat. No. Des. 705,974, which is a continuation of application No. 29/452,824, filed on Apr. 22, 2013, now Pat. No. Des. 698,975.
- (51) **LOC (10) Cl.** **26-03**
- (52) **U.S. Cl.**
USPC **D26/76**
- (58) **Field of Classification Search**
USPC D26/24, 39, 59, 67, 68, 69, 70, 71, 72, D26/74, 76, 77, 80, 88, 89, 98, 138, 139, D26/140, 141, 142, 151, 152
CPC F24S 4/001; F24S 4/005; F24S 8/00; F24S 8/04; F24S 8/043; F24S 8/046; F24S 8/06-8/065; F24S 13/02; F24S 13/04; F24S 13/06
See application file for complete search history.

(56) **References Cited**

U.S. PATENT DOCUMENTS

- D374,301 S * 10/1996 Kleffman D26/76
- D386,804 S 11/1997 Engel

- 5,988,836 A 11/1999 Swarens
- D477,891 S 7/2003 Fritze et al.
- D496,121 S 9/2004 Santoro
- D593,246 S 5/2009 Fowler
- D595,006 S * 6/2009 Santoro D26/120
- D604,000 S * 11/2009 Fowler, Jr. D26/76
- D608,932 S 1/2010 Castelli
- D633,247 S 2/2011 Kong et al.
- D653,376 S 1/2012 Kong et al.

(Continued)

FOREIGN PATENT DOCUMENTS

- CN 1371018 9/2002
- WO WO 2012030387 3/2012

OTHER PUBLICATIONS

Cooper Lighting, Skyridge 1x4, 1x2 PAR Graphic Documentation; Nov. 14, 2013.

(Continued)

Primary Examiner — George D Kirschbaum
Assistant Examiner — Natasha Vujcic
(74) *Attorney, Agent, or Firm* — King & Spalding LLP

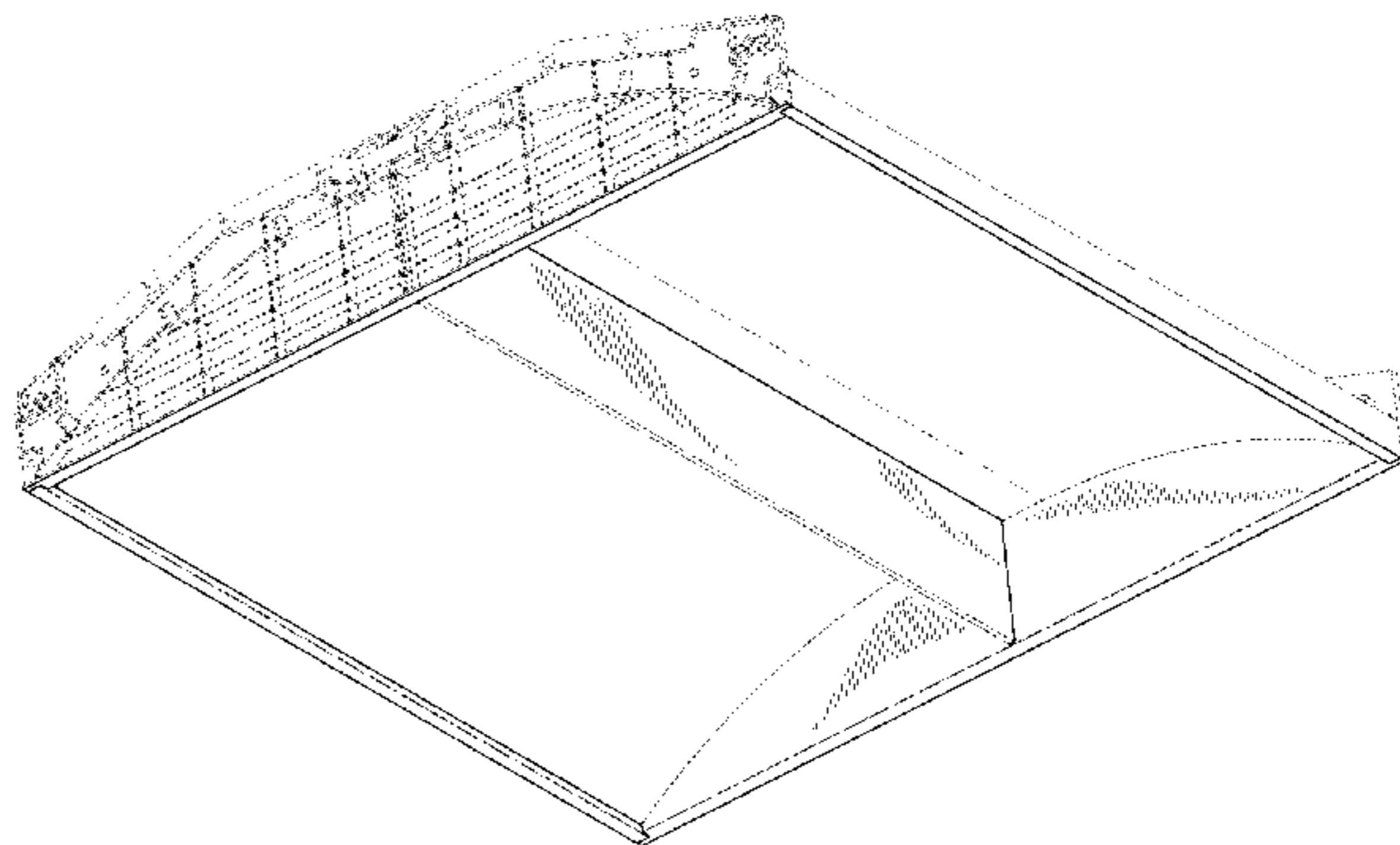
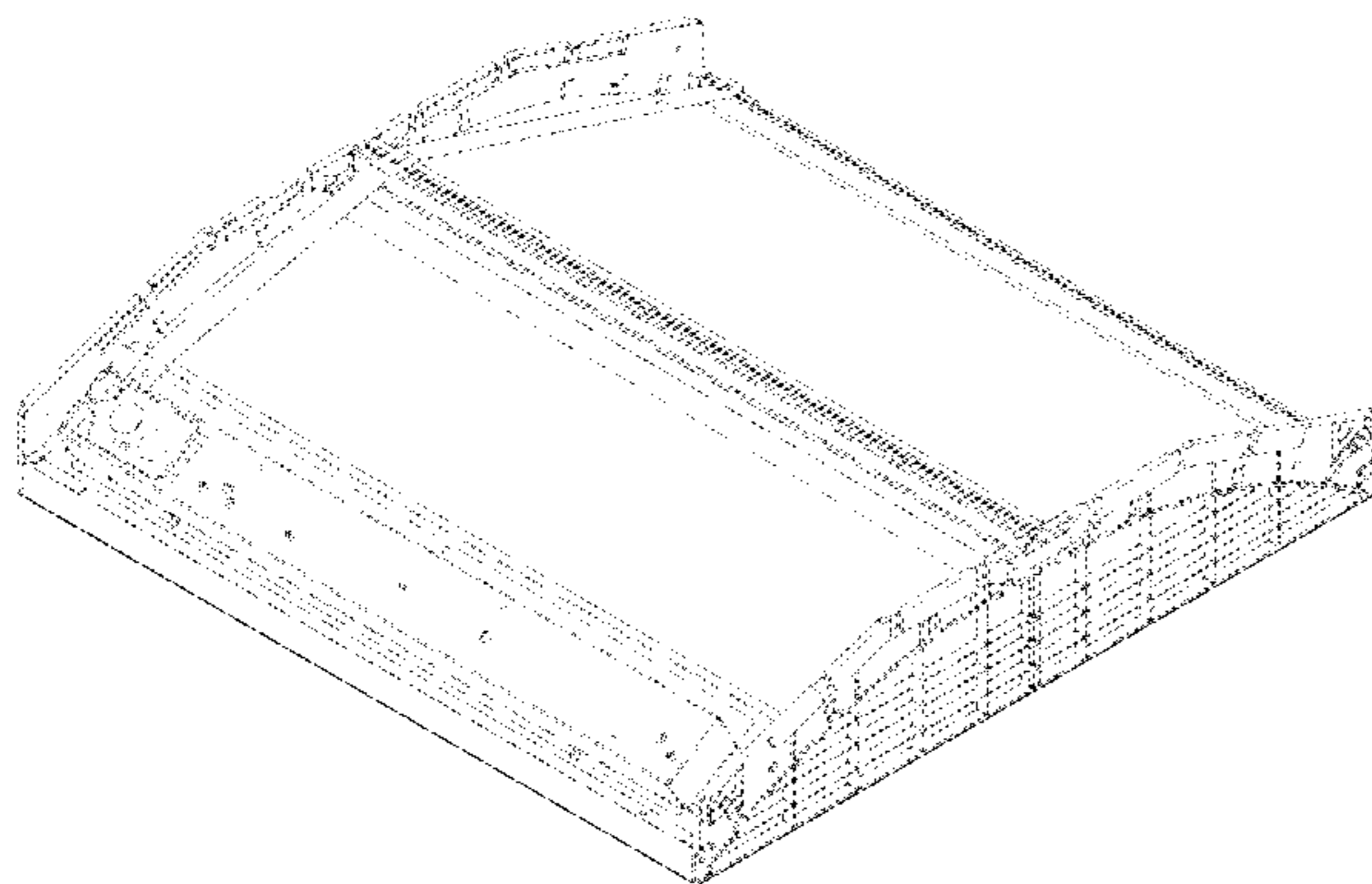
(57) **CLAIM**

The ornamental design for an edgelit blade luminaire, as shown and described.

DESCRIPTION

FIG. 1 is a top perspective view of an edgelit blade luminaire, showing our new design;
FIG. 2 is a bottom perspective view thereof;
FIG. 3 is a top plan view thereof;
FIG. 4 is a bottom plan view thereof;
FIG. 5 is a left-side elevation view thereof;
FIG. 6 is a right-side elevation view thereof;
FIG. 7 is a front elevation view thereof; and,
FIG. 8 is a rear elevation view thereof.
The broken lines shown represent unclaimed subject matter and form no part of the claimed design.

1 Claim, 6 Drawing Sheets



(56)

References Cited

U.S. PATENT DOCUMENTS

8,128,256 B2 3/2012 Kim et al.
 D664,699 S 7/2012 Nakahira et al.
 8,232,724 B2 7/2012 Mostoller et al.
 D665,119 S 8/2012 Bryant
 D667,983 S 9/2012 Pickard et al.
 D672,079 S 12/2012 Kong et al.
 D673,711 S 1/2013 Pickard et al.
 D675,364 S 1/2013 Watt
 D677,820 S 3/2013 Mayfield et al.
 D678,597 S 3/2013 Lehman et al.
 D681,872 S 5/2013 Kong et al.
 D685,942 S 7/2013 Duquette et al.
 D696,449 S 12/2013 Boyer et al.
 D698,969 S 2/2014 Johns et al.
 D698,973 S 2/2014 Santoro et al.
 D698,975 S 2/2014 Blessitt et al.
 D699,386 S 2/2014 Park et al.
 D701,988 S 4/2014 Clements
 D705,474 S * 5/2014 Philips D26/76
 D705,974 S 5/2014 Blessitt et al.
 D707,873 S 6/2014 Boyer et al.
 D714,988 S 10/2014 Park et al.

D735,391 S * 7/2015 Blessitt D26/74
 D739,977 S * 9/2015 Boyer D26/74
 9,127,826 B2* 9/2015 Boyer F21V 7/0008
 2008/0055534 A1 3/2008 Kawano
 2009/0103327 A1 4/2009 Iwasaki et al.
 2010/0165662 A1 7/2010 Hamada
 2010/0271841 A1 10/2010 Kim
 2011/0176306 A1 7/2011 Kim et al.
 2012/0169967 A1 7/2012 Han et al.
 2012/0182713 A1 7/2012 Bretschneider
 2013/0051067 A1 2/2013 Chen
 2013/0194820 A1* 8/2013 Pickard F21V 7/0066
 362/555
 2013/0208457 A1 8/2013 Durkee et al.
 2013/0294053 A1 11/2013 Marquardt et al.
 2013/0307420 A1 11/2013 Yoder et al.
 2014/0036533 A1 2/2014 Smith-Gillespie
 2014/0198481 A1 7/2014 Kim et al.
 2014/0268869 A1 9/2014 Blessitt et al.

OTHER PUBLICATIONS

International Search Report for PCT/US2014/026500, mailed Aug. 7, 2014.

* cited by examiner

FIG. 1

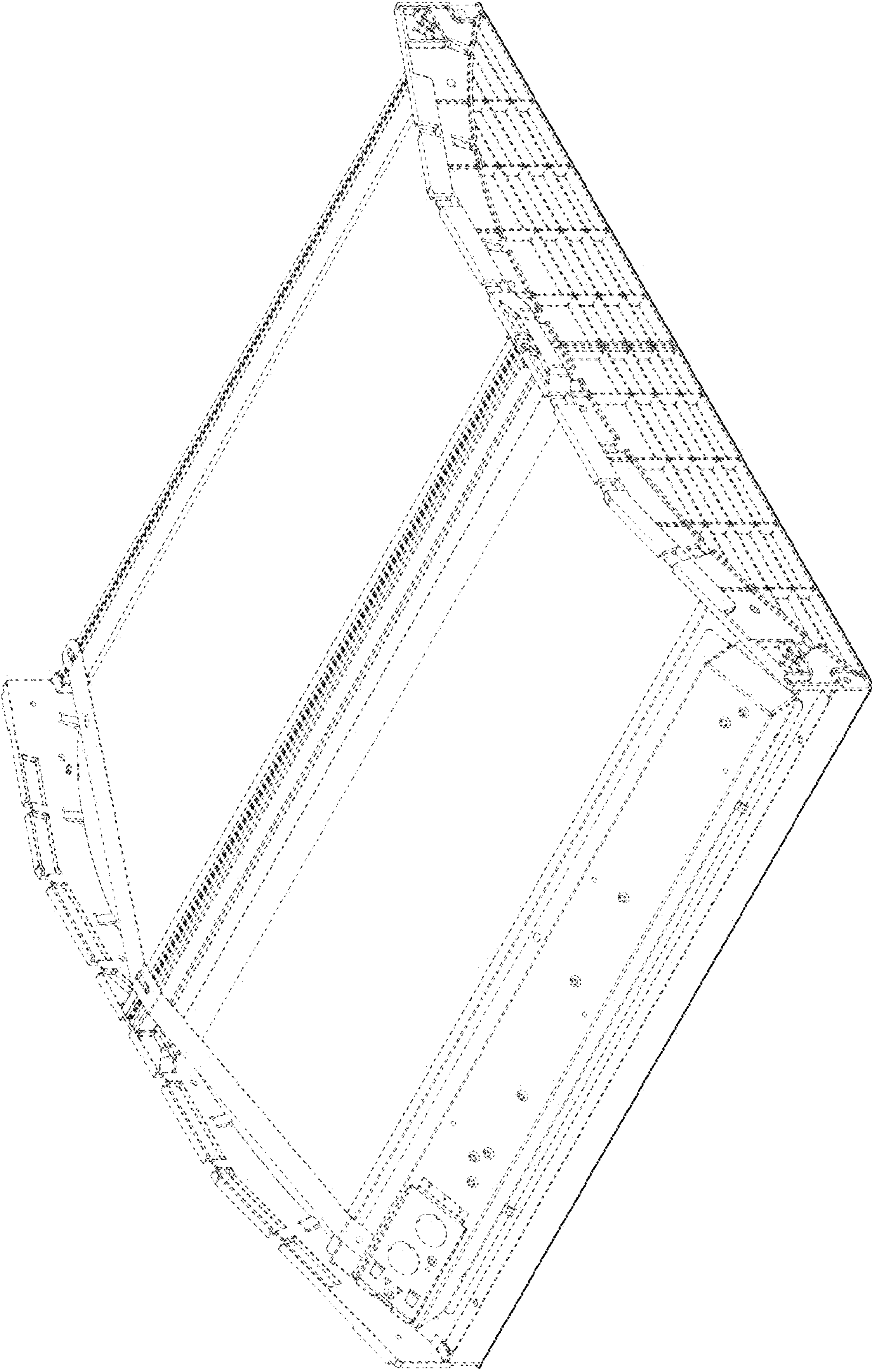


FIG. 2

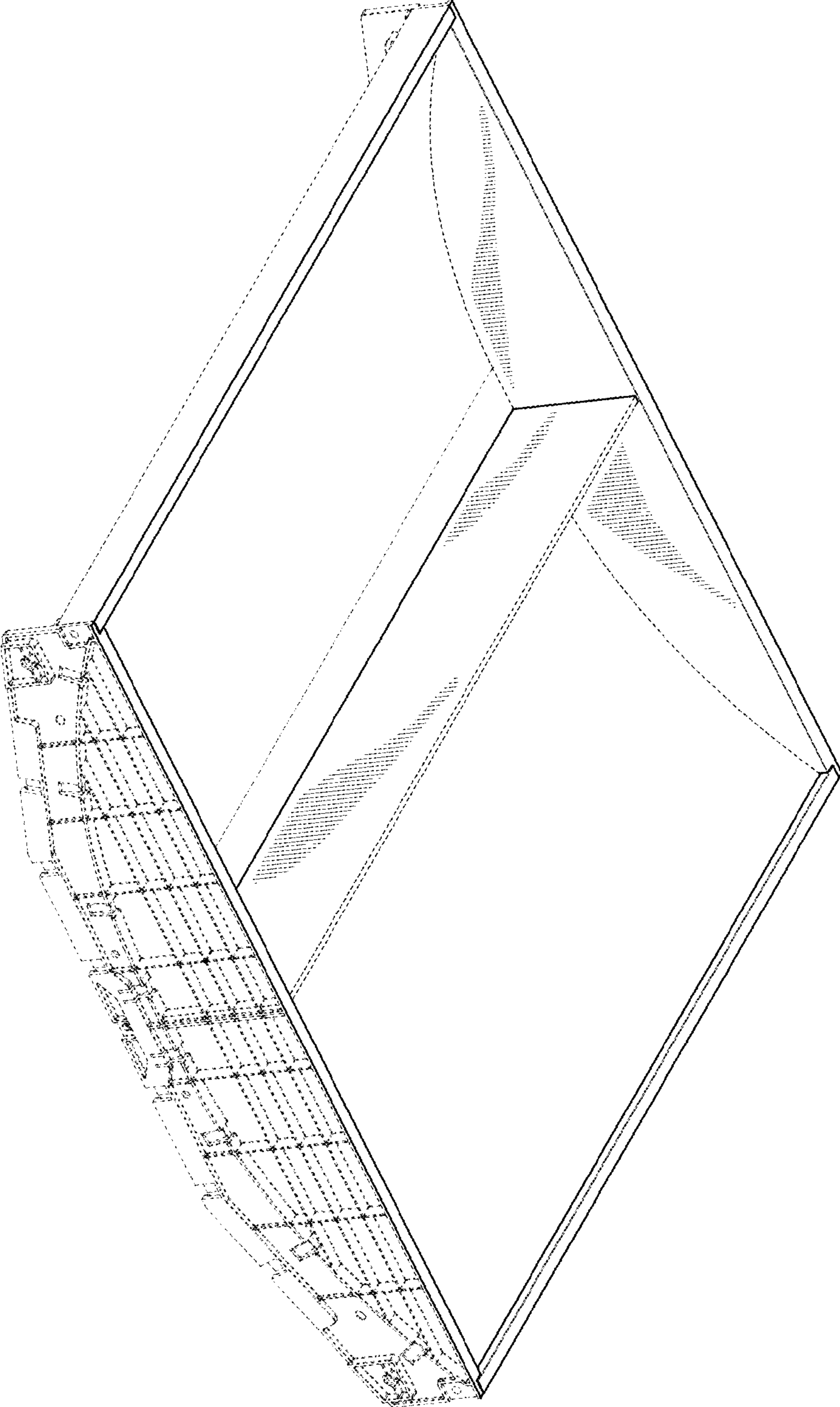


FIG. 3

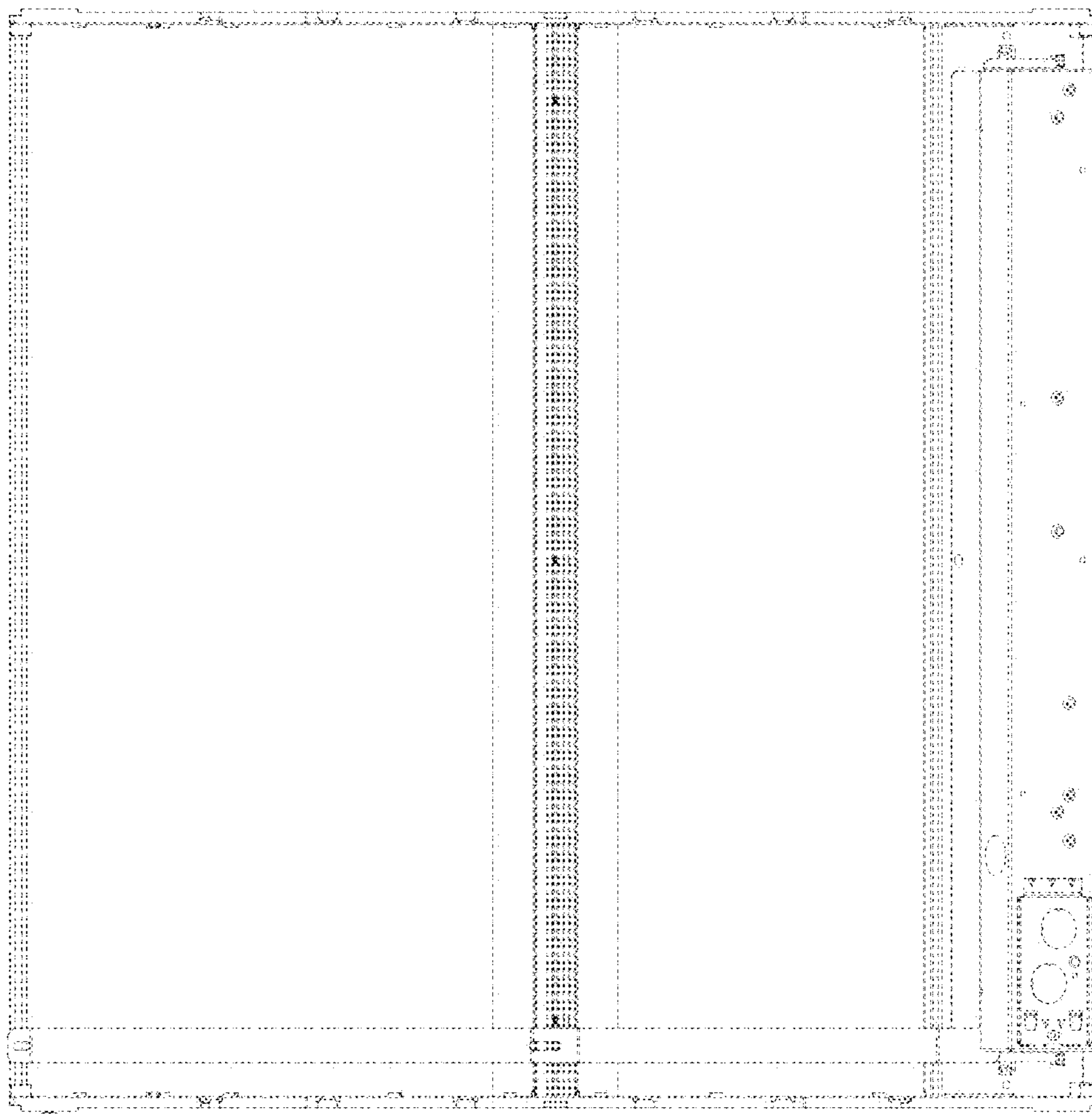


FIG. 4

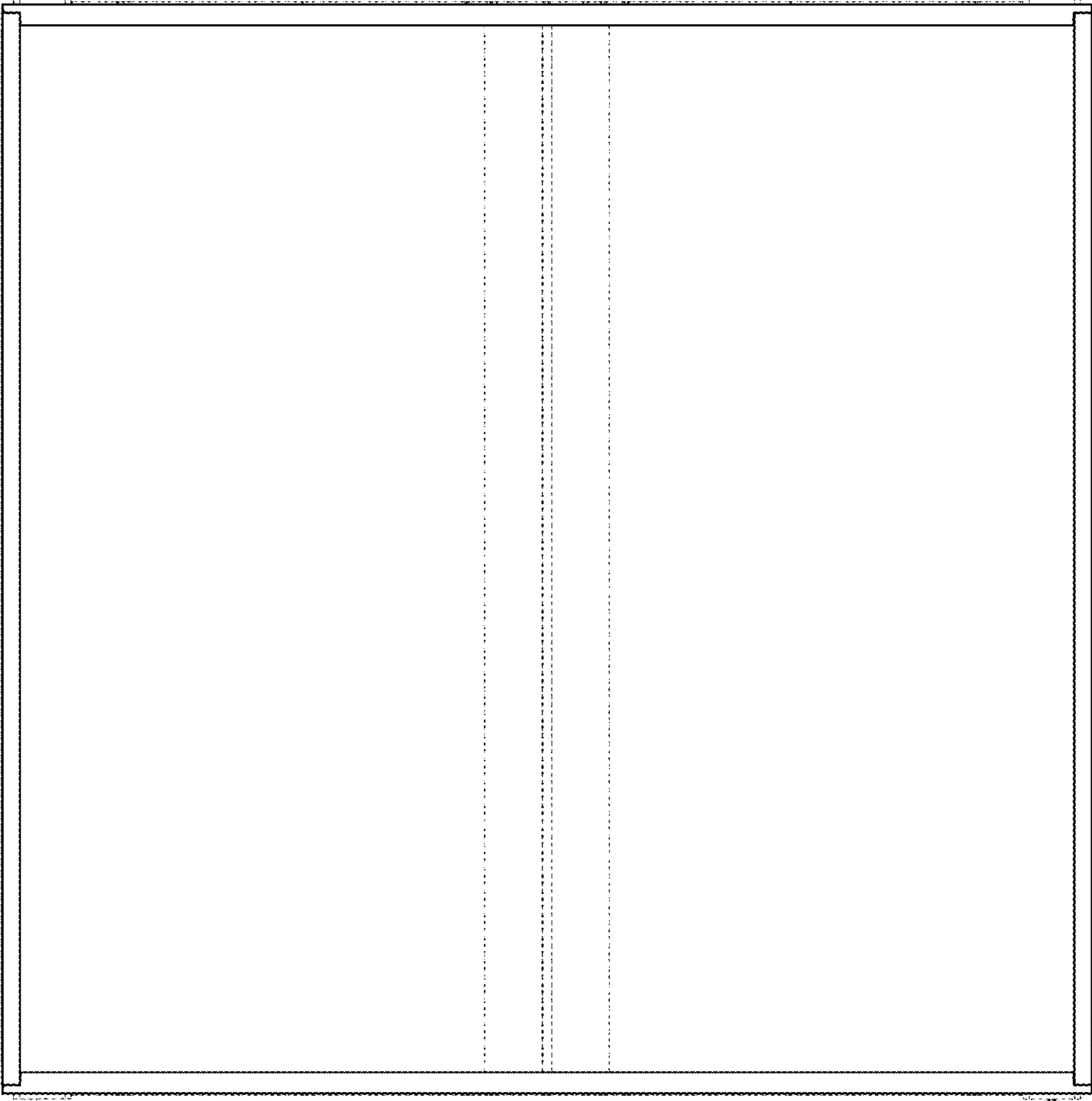


FIG. 5

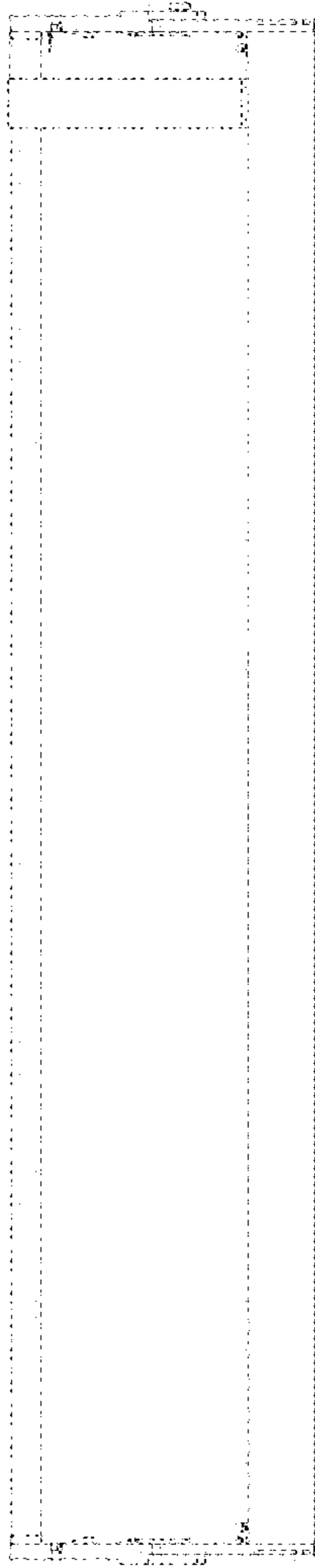


FIG. 6

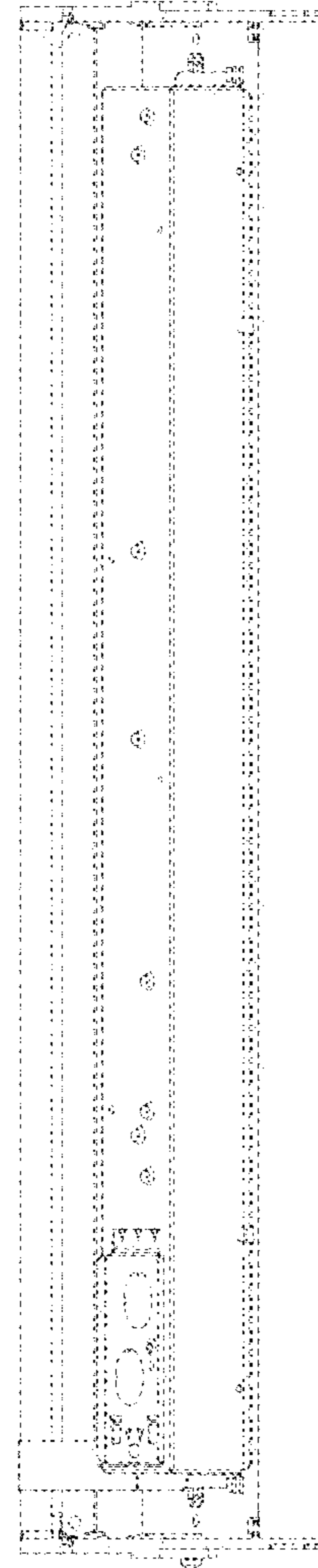


FIG. 7

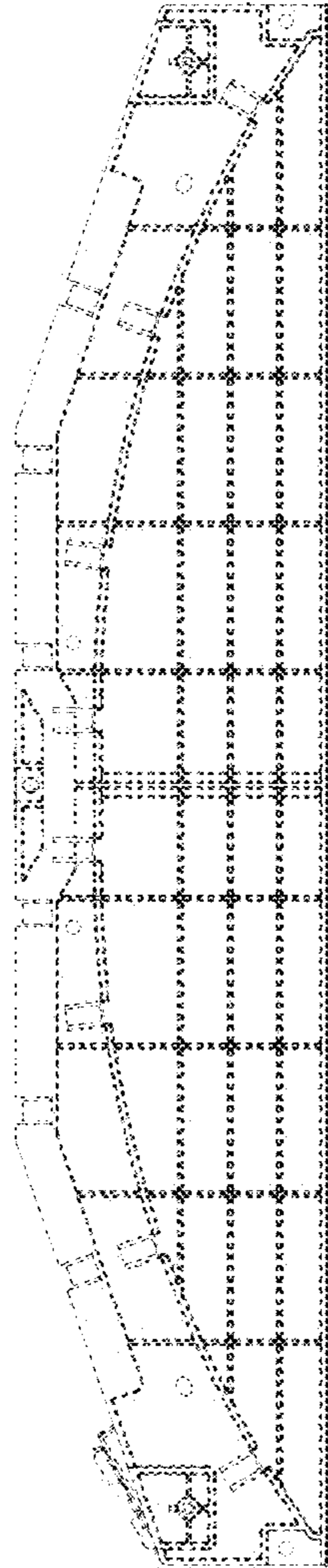


FIG. 8

