



US00D762907S

(12) **United States Design Patent**  
**Jeswani et al.**

(10) **Patent No.:** **US D762,907 S**

(45) **Date of Patent:** **\*\* Aug. 2, 2016**

(54) **RECESSED DOWNLIGHT GIMBAL LUMINAIRE**

(71) Applicants: **Anil Jeswani**, Beverly, MA (US);  
**Robert Schmitt**, Nottingham, NH (US);  
**Jean-Francois Rouleau**, Charlestown, MA (US); **Zhiming Huang**, Taoyuan (CN)

(72) Inventors: **Anil Jeswani**, Beverly, MA (US);  
**Robert Schmitt**, Nottingham, NH (US);  
**Jean-Francois Rouleau**, Charlestown, MA (US); **Zhiming Huang**, Taoyuan (CN)

(73) Assignee: **OSRAM SYLVANIA Inc.**, Wilmington, MA (US)

(\*\*) Term: **14 Years**

(21) Appl. No.: **29/491,767**

(22) Filed: **May 23, 2014**

(51) **LOC (10) Cl.** ..... **26-05**

(52) **U.S. Cl.**  
USPC ..... **D26/74**

(58) **Field of Classification Search**

USPC ..... D26/74, 72, 75, 76, 77, 78, 85, 88, 89,  
D26/118, 138, 141; 362/364, 365, 373, 145,  
362/146, 147, 148, 150, 153, 153.1, 294,  
362/296.01, 296.07, 296.08  
CPC ..... F21V 29/2262; F21V 7/06; F21V 21/044;  
F21V 21/047; F21V 29/2212; F21V 29/2225;  
F21V 29/2256; F21V 29/225; F21V 29/2268;  
F21Y 2111/002; F21S 8/02; F21S 8/026

See application file for complete search history.

(56) **References Cited**

**U.S. PATENT DOCUMENTS**

D320,862 S 10/1991 Moeller et al.  
D326,729 S 6/1992 Gattari  
D474,300 S 5/2003 Lecluze  
D548,389 S 8/2007 Lecluze  
D573,294 S 7/2008 Chan et al.  
D581,083 S 11/2008 Chan et al.  
D591,894 S 5/2009 Flank  
D595,005 S 6/2009 Chou

D600,393 S 9/2009 Chan et al.  
D601,295 S 9/2009 Brown  
7,722,227 B2 5/2010 Zhang et al.  
D625,876 S 10/2010 Chen et al.  
D633,099 S 2/2011 Van de Ven et al.  
D638,160 S 5/2011 Van De Ven et al.  
D640,820 S 6/2011 Hopper  
D654,205 S 2/2012 Rashidi  
D656,262 S 3/2012 Yoshinobu et al.  
D656,263 S 3/2012 Ogawa et al.  
D659,878 S 5/2012 Rashidi

(Continued)

*Primary Examiner* — Angela J Lee

(74) *Attorney, Agent, or Firm* — Shaun P. Montana

(57) **CLAIM**

The ornamental design for a recessed downlight gimbal luminaire, as shown and described.

**DESCRIPTION**

FIG. 1 is a perspective view of a first embodiment of the ornamental design for a recessed downlight gimbal luminaire;

FIG. 2 is a side view thereof;

FIG. 3 is a front view thereof;

FIG. 4 is a back view thereof;

FIG. 5 is a top view thereof;

FIG. 6 is a bottom view thereof; and

FIG. 7 is another perspective view thereof.

FIG. 8 is a perspective view of a second embodiment of the ornamental design for a recessed downlight gimbal luminaire;

FIG. 9 is a side view thereof;

FIG. 10 is a front view thereof;

FIG. 11 is a back view thereof;

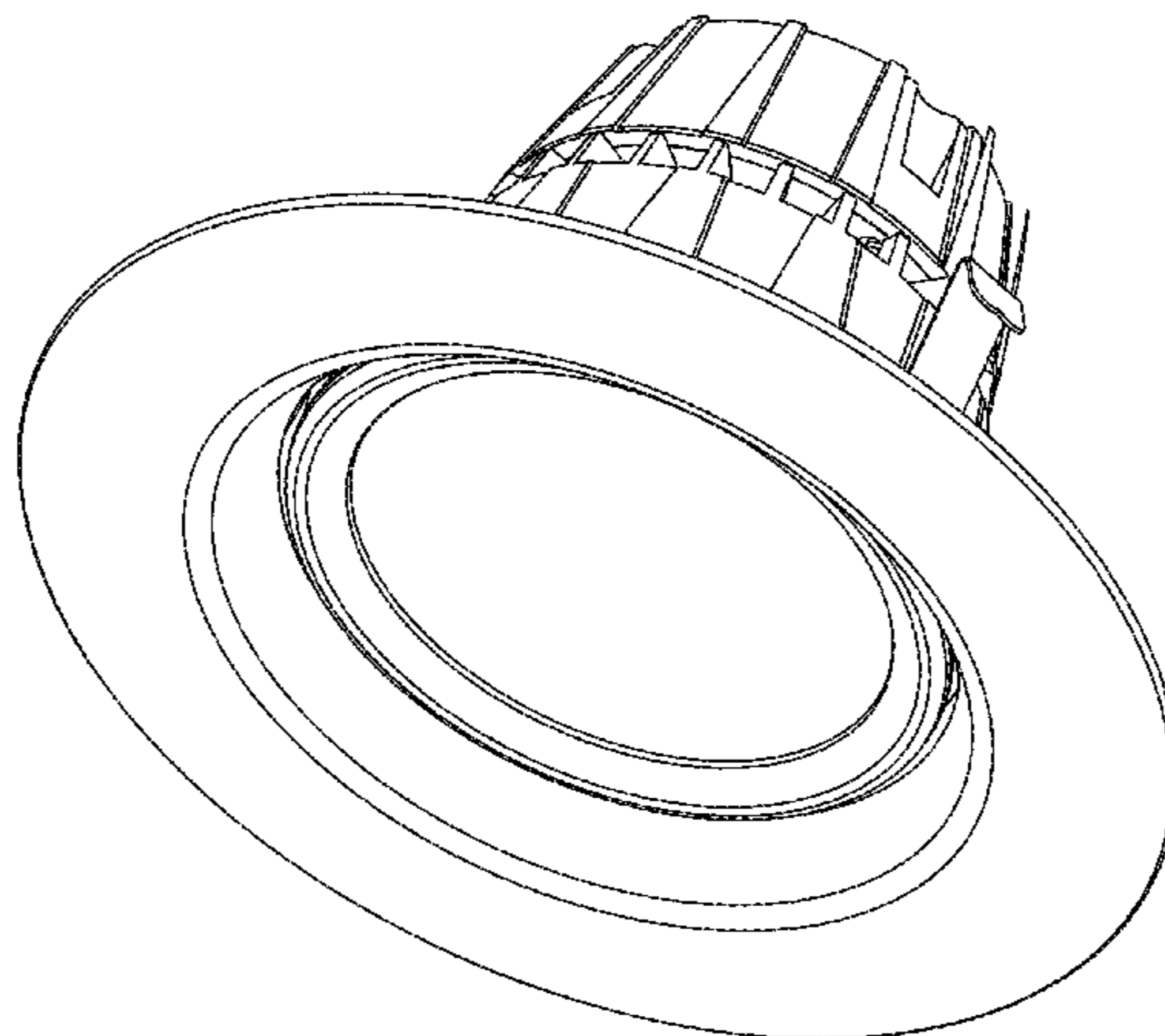
FIG. 12 is a top view thereof;

FIG. 13 is a bottom view thereof; and,

FIG. 14 is another perspective view thereof.

The broken-line disclosure in the views is understood to represent portions of the article in which the claimed design is embodied, but which form no part of the claimed design.

**1 Claim, 14 Drawing Sheets**



(56)

**References Cited**

U.S. PATENT DOCUMENTS

D659,892 S	5/2012	Ding et al.	D681,863 S	5/2013	Chen et al.	
D659,893 S	5/2012	Ding et al.	D684,286 S *	6/2013	Rashidi .....	D26/74
D667,155 S	9/2012	Rashidi	D684,288 S	6/2013	Gielen	
D678,583 S	3/2013	Jeswani et al.	D686,769 S	7/2013	Petroski et al.	
D678,584 S	3/2013	Schmitt et al.	D690,451 S *	9/2013	Rashidi .....	D26/74
D678,585 S	3/2013	Schmitt et al.	D690,865 S *	10/2013	Rashidi .....	D26/74
D679,043 S	3/2013	Jeswani et al.	D691,314 S *	10/2013	Rashidi .....	D26/74
D679,044 S	3/2013	Jeswani et al.	D706,479 S *	6/2014	Jeswani .....	D26/74
D681,860 S	5/2013	Soni	2010/0039829 A1	2/2010	Tsai	
D681,862 S	5/2013	Soni	2010/0128491 A1	5/2010	Hashimoto et al.	
			2011/0222291 A1	9/2011	Peng	
			2011/0267827 A1	11/2011	Wein	
			2012/0140490 A1	6/2012	Rowlette, Jr. et al.	

\* cited by examiner

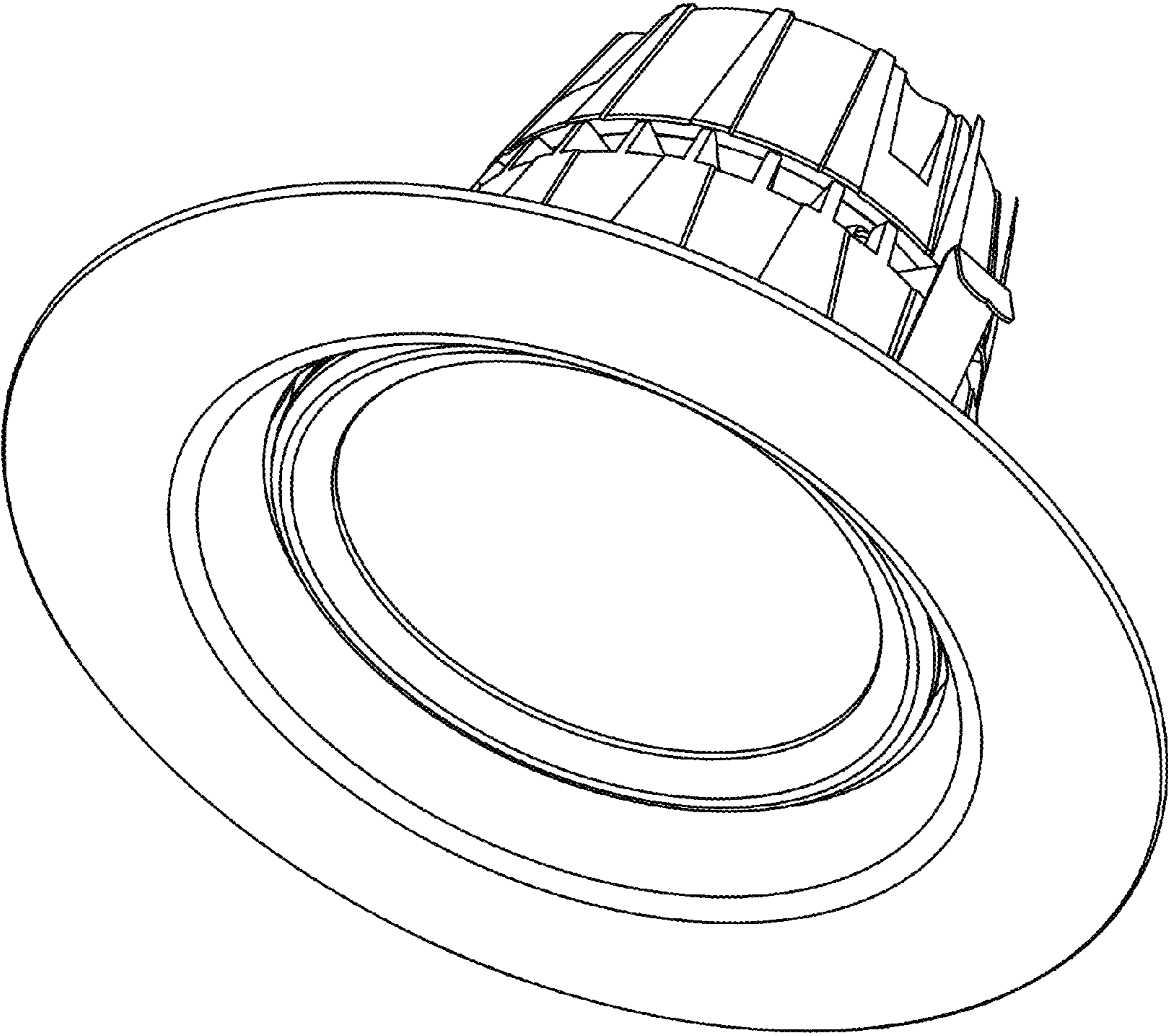


FIG. 1

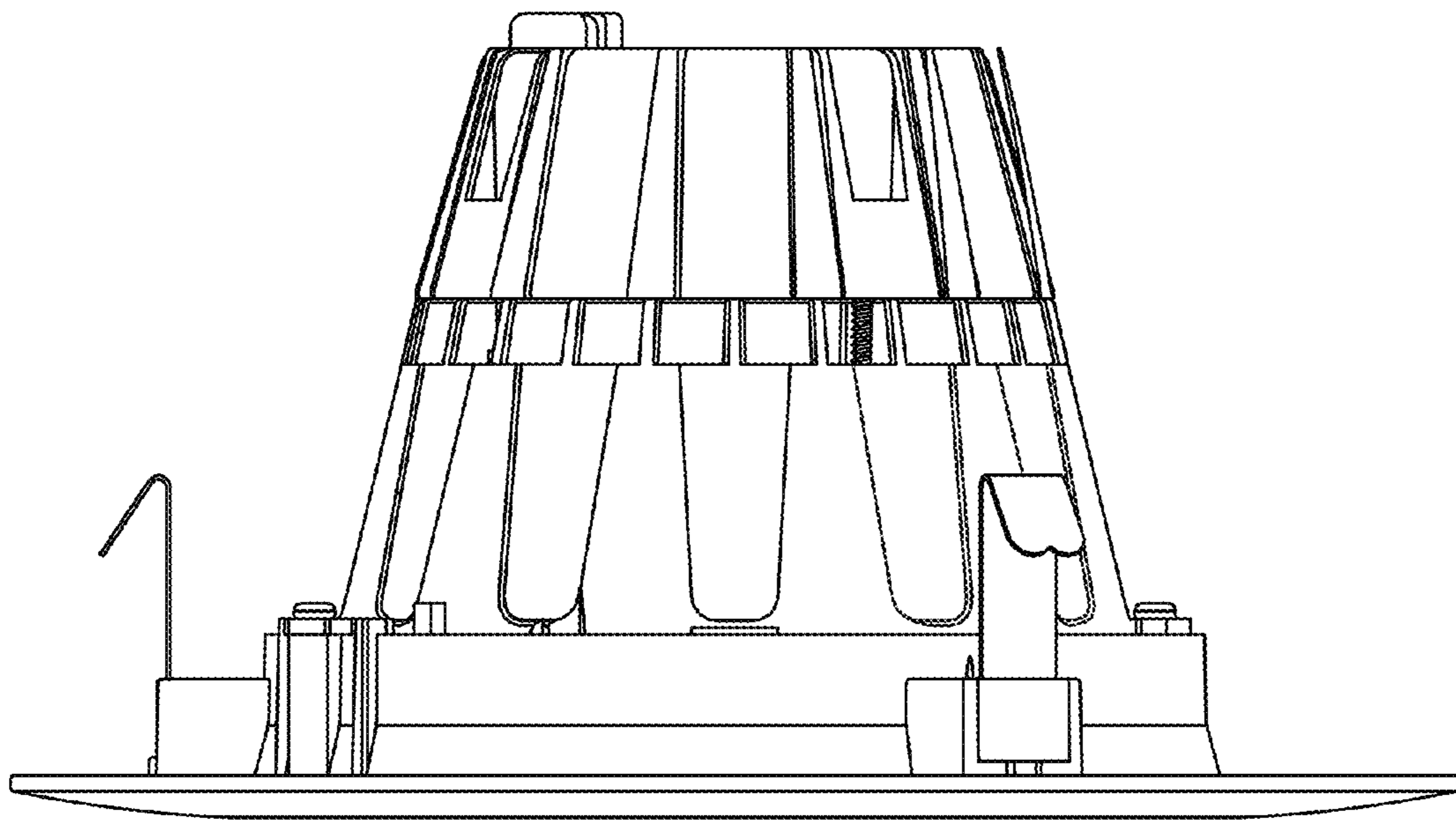


FIG. 2

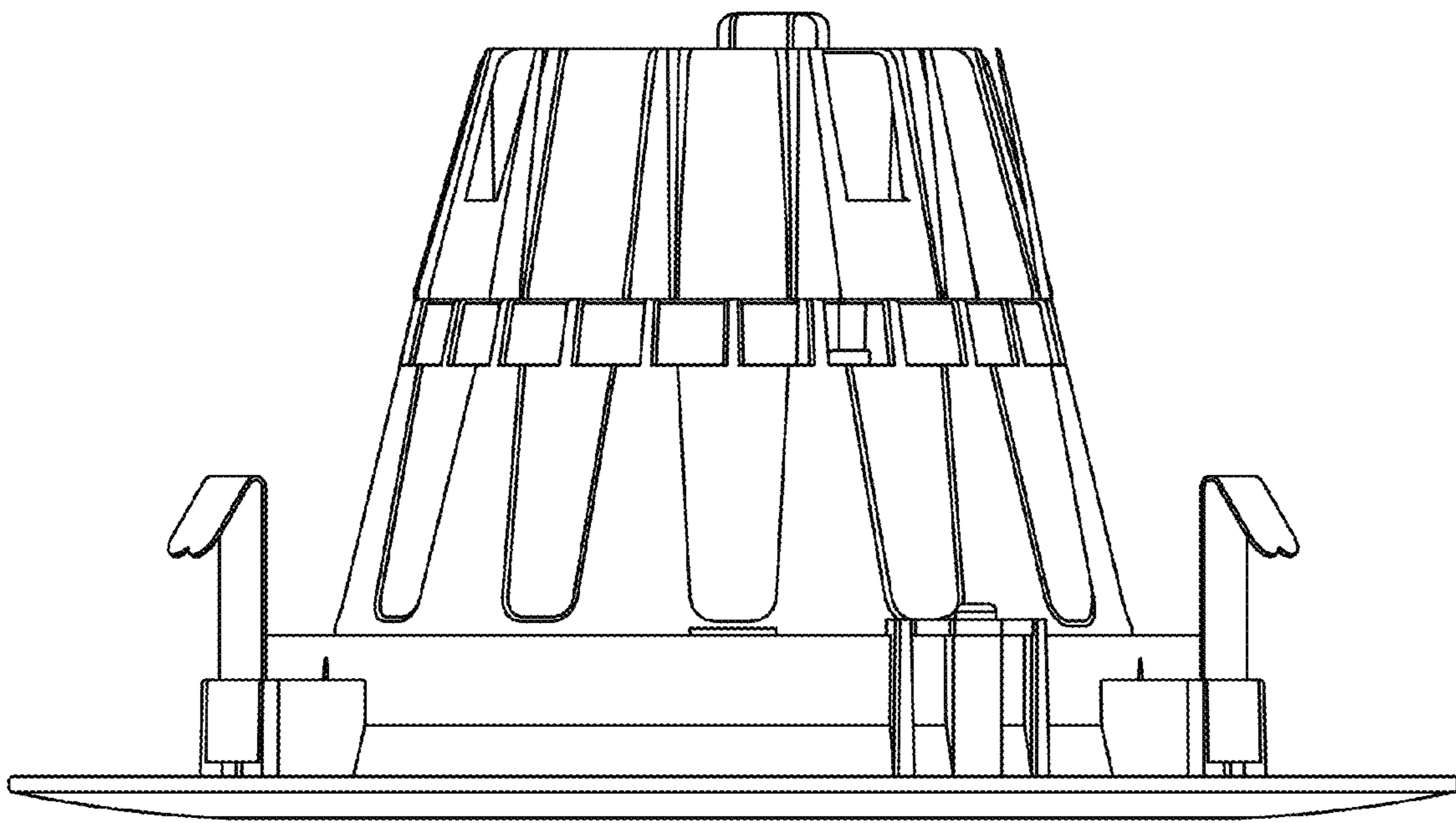


FIG. 3



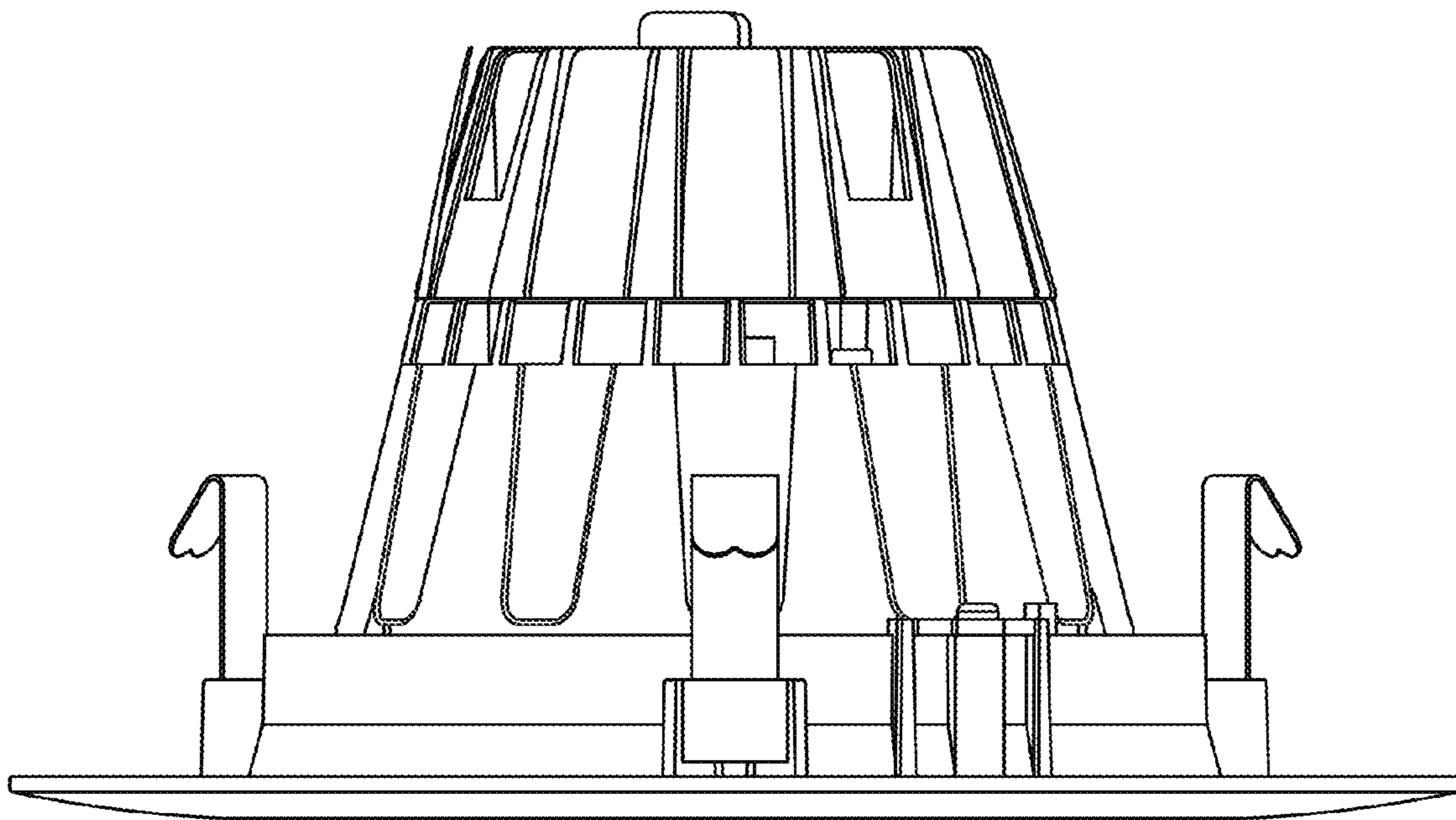


FIG. 4

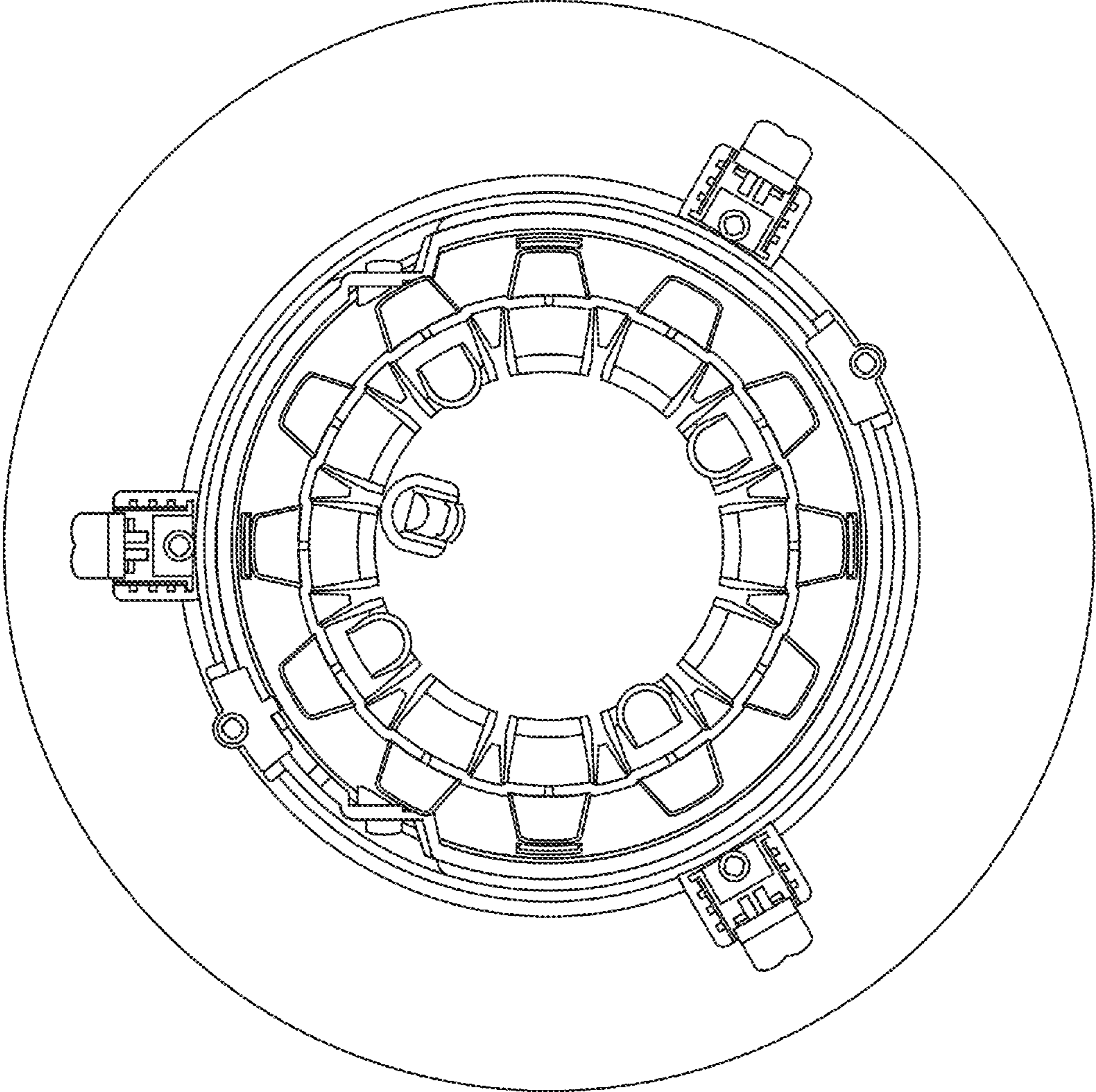


FIG. 5

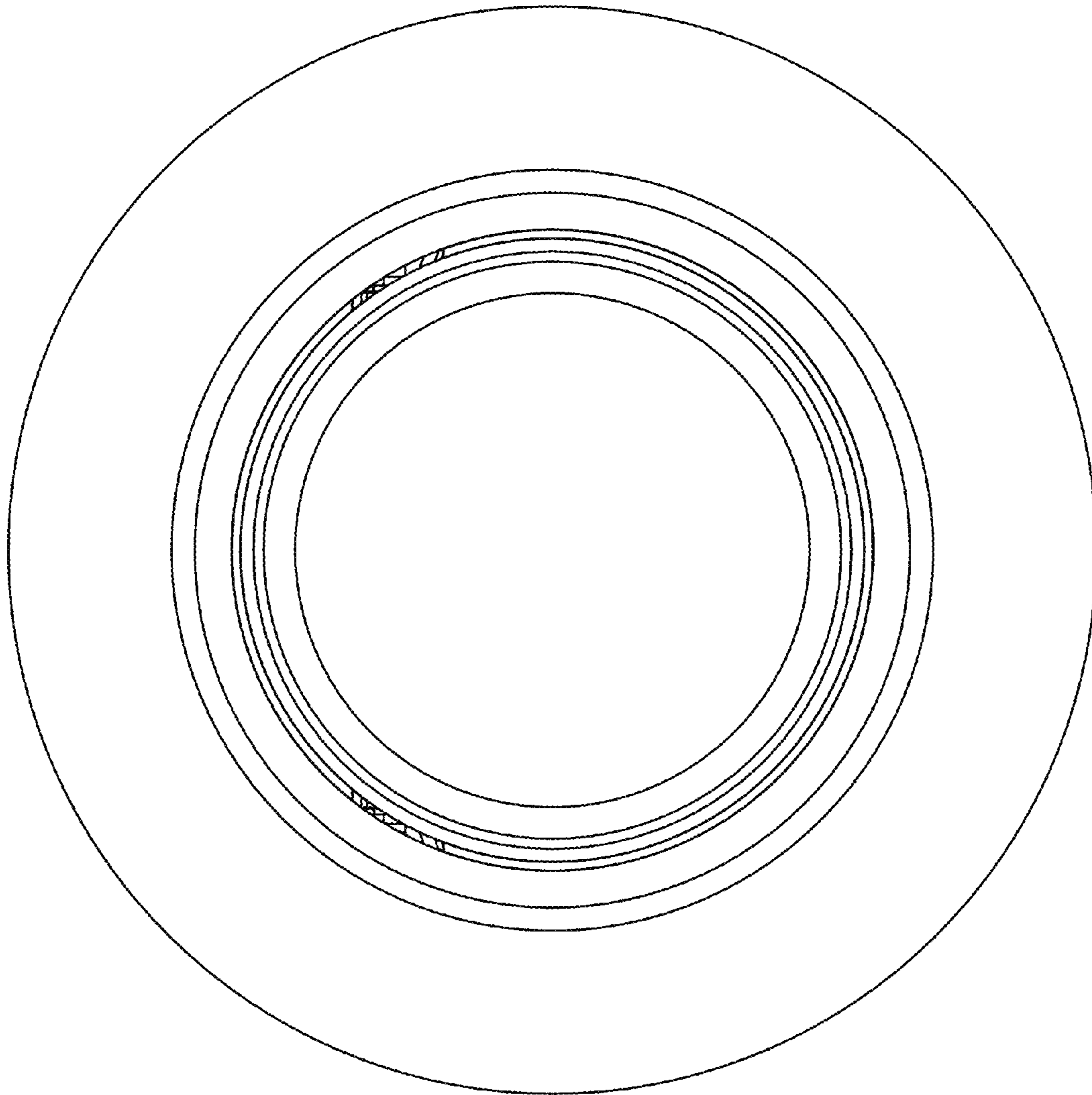


FIG. 6



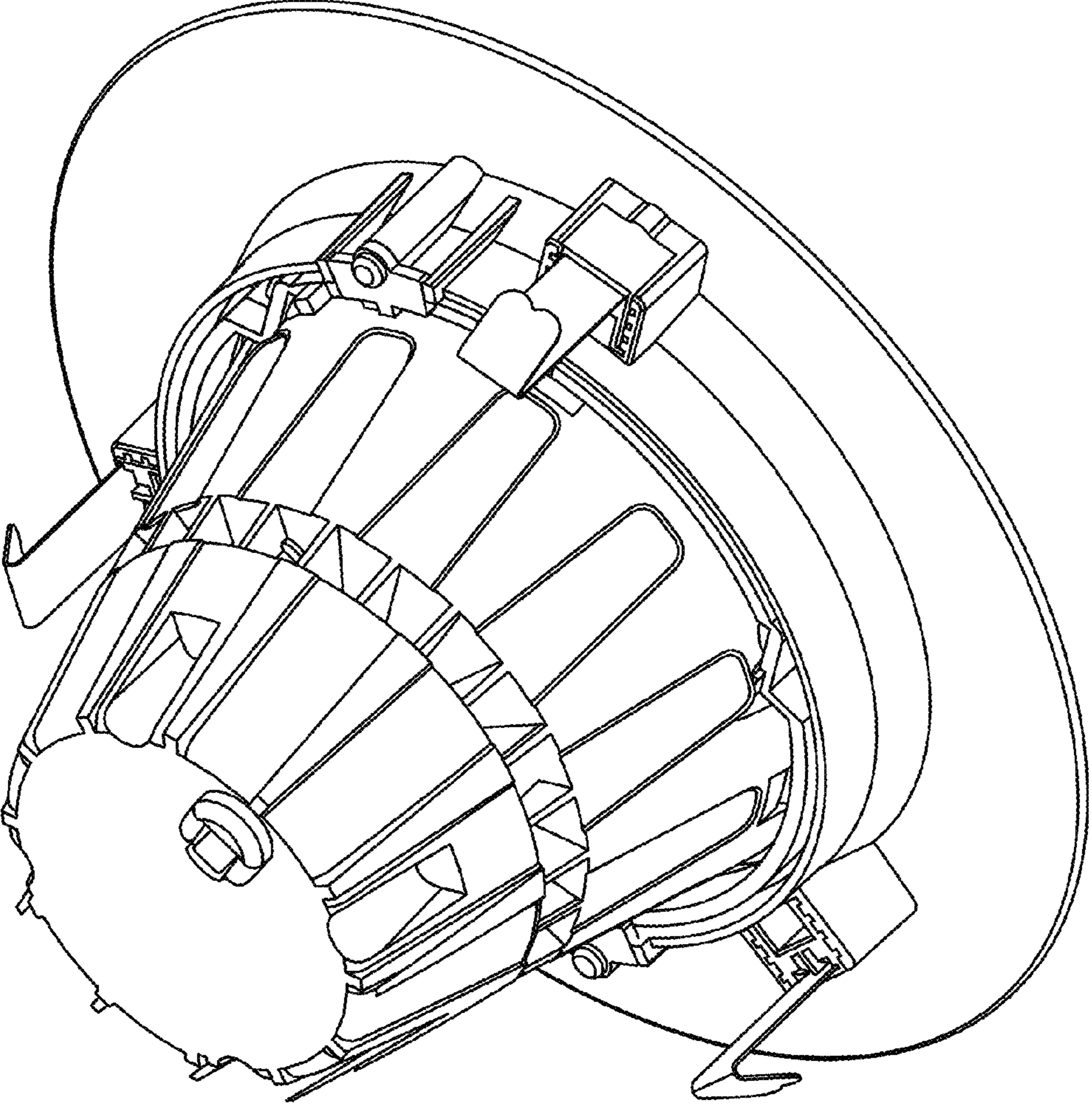


FIG. 7

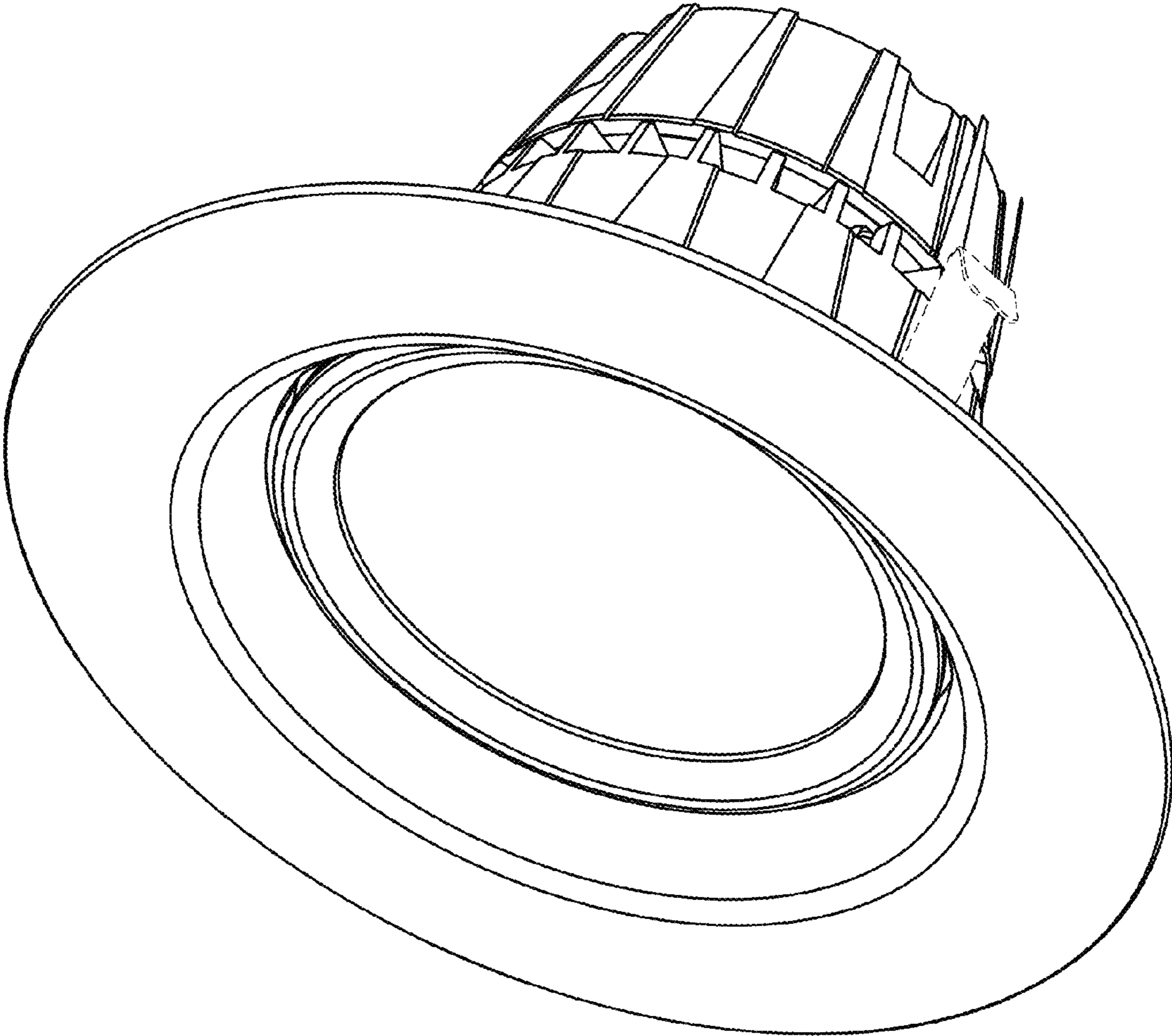


FIG. 8

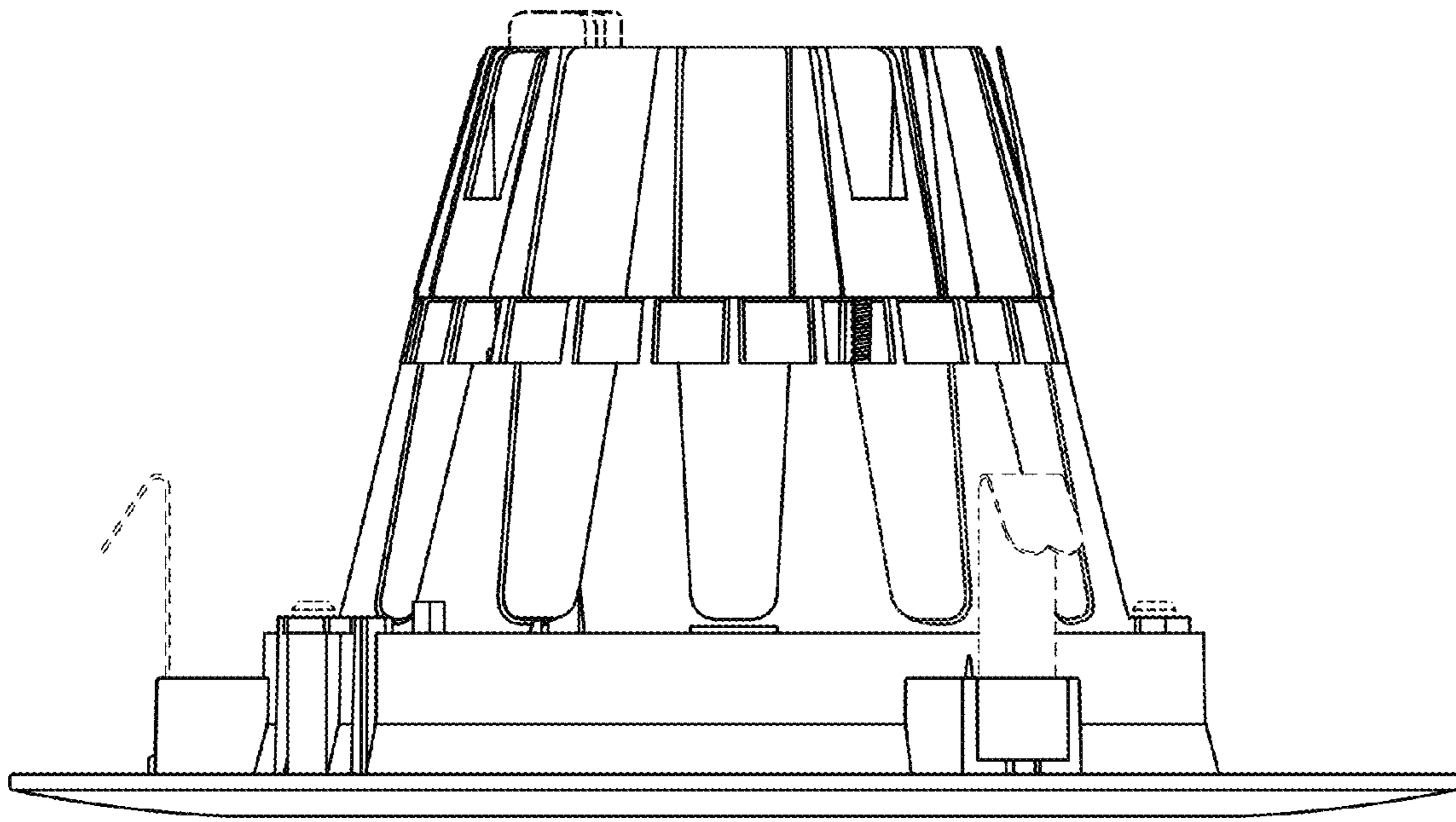


FIG. 9

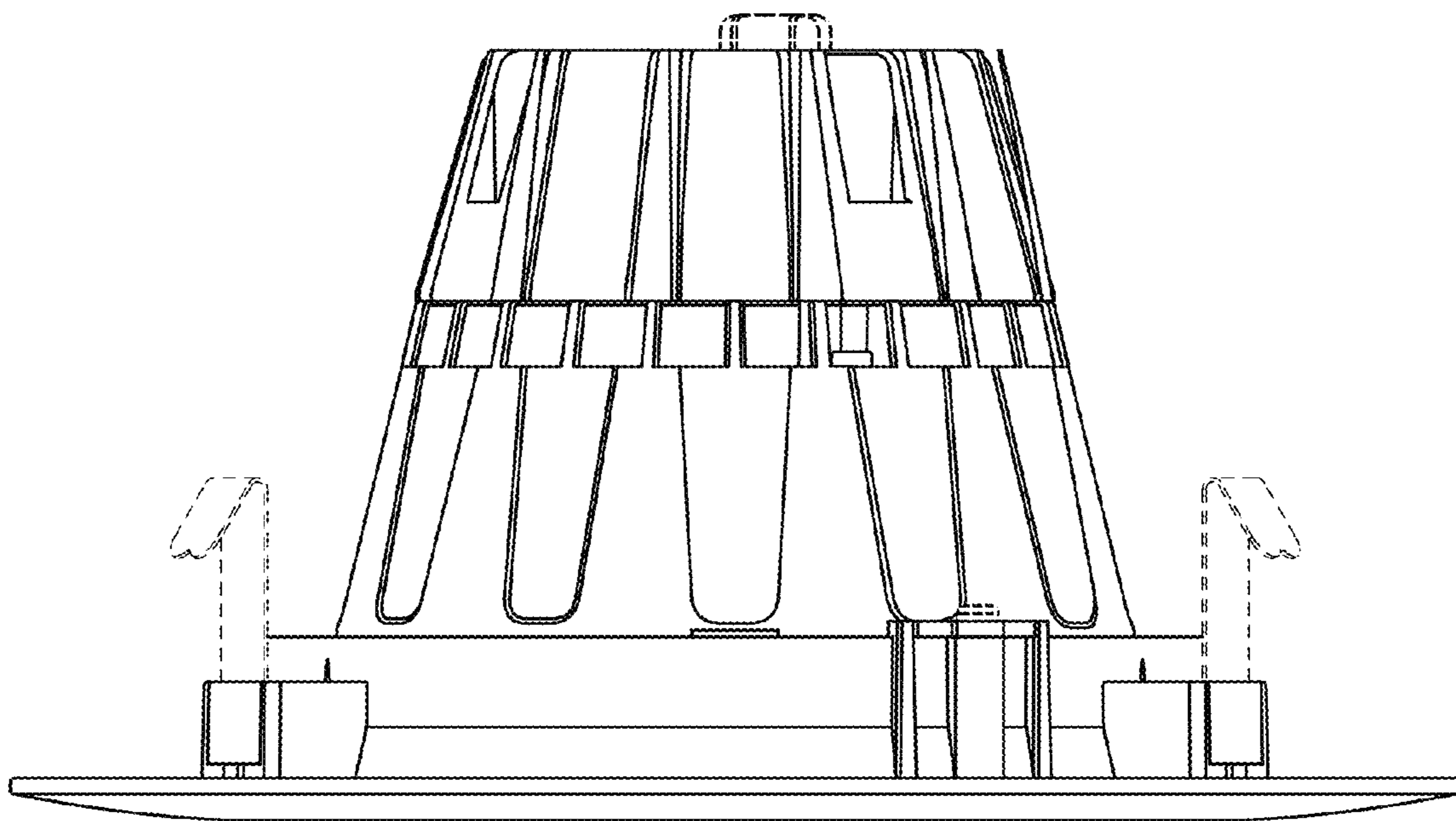


FIG. 10

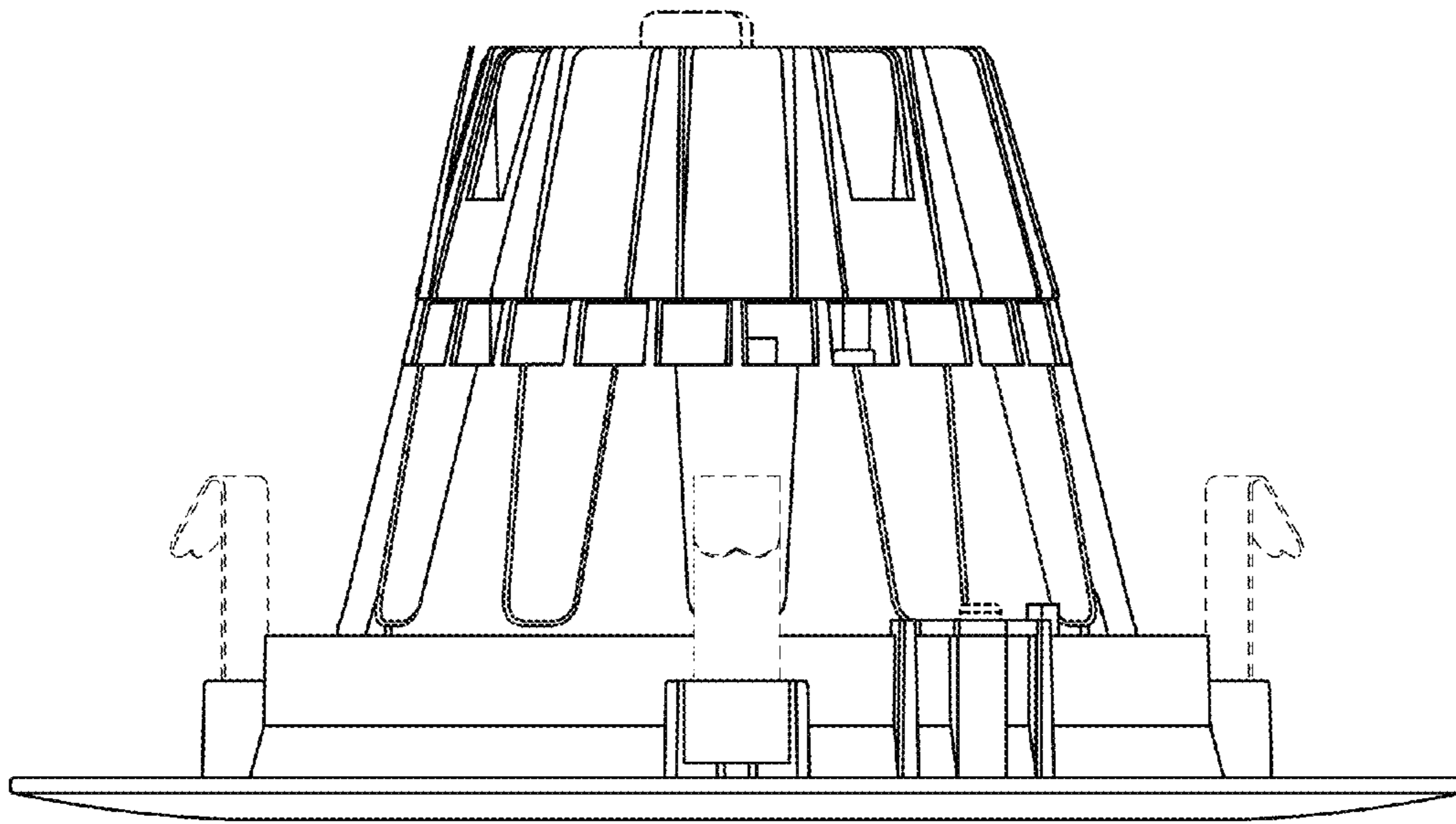


FIG. 11



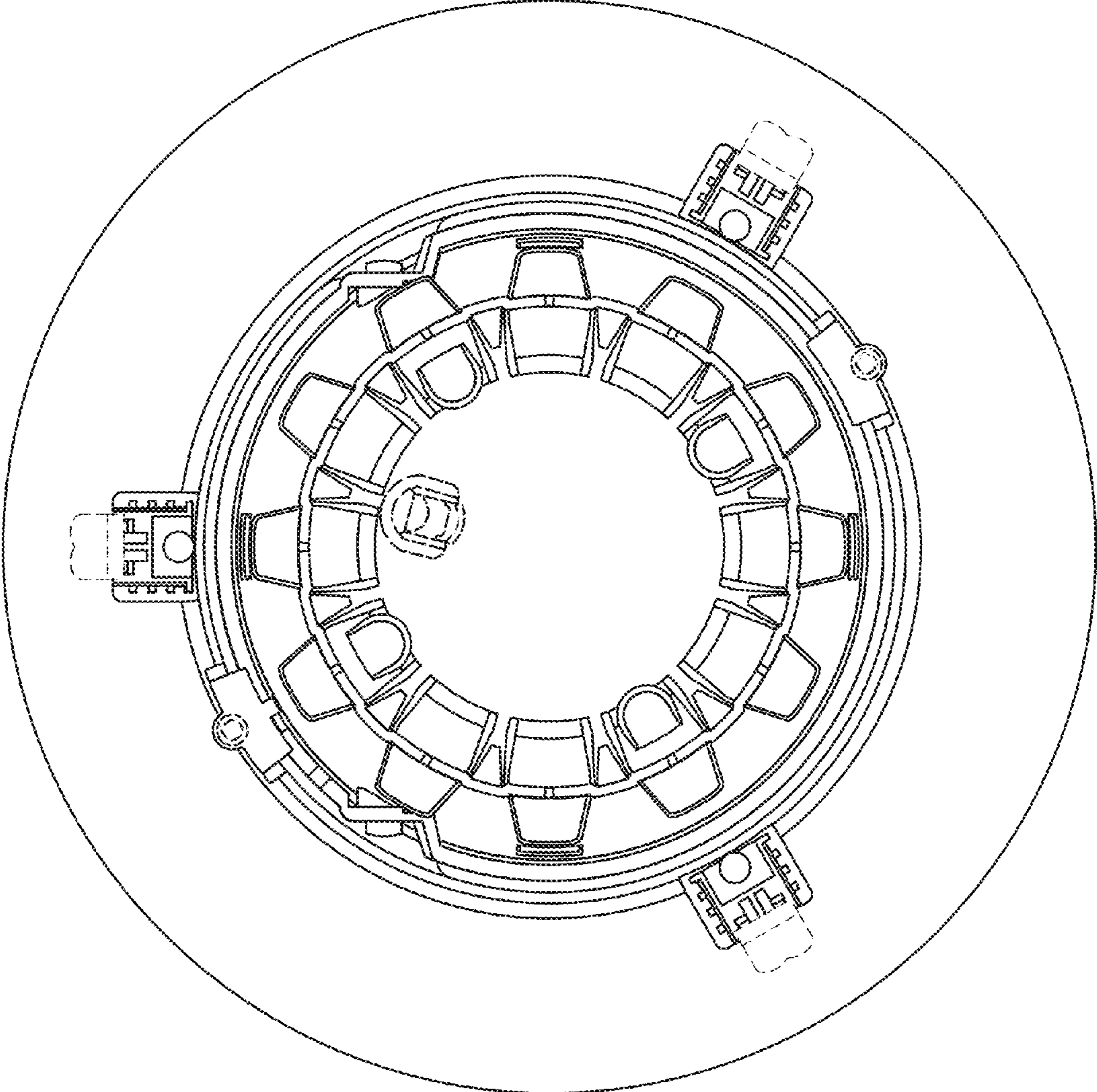


FIG. 12

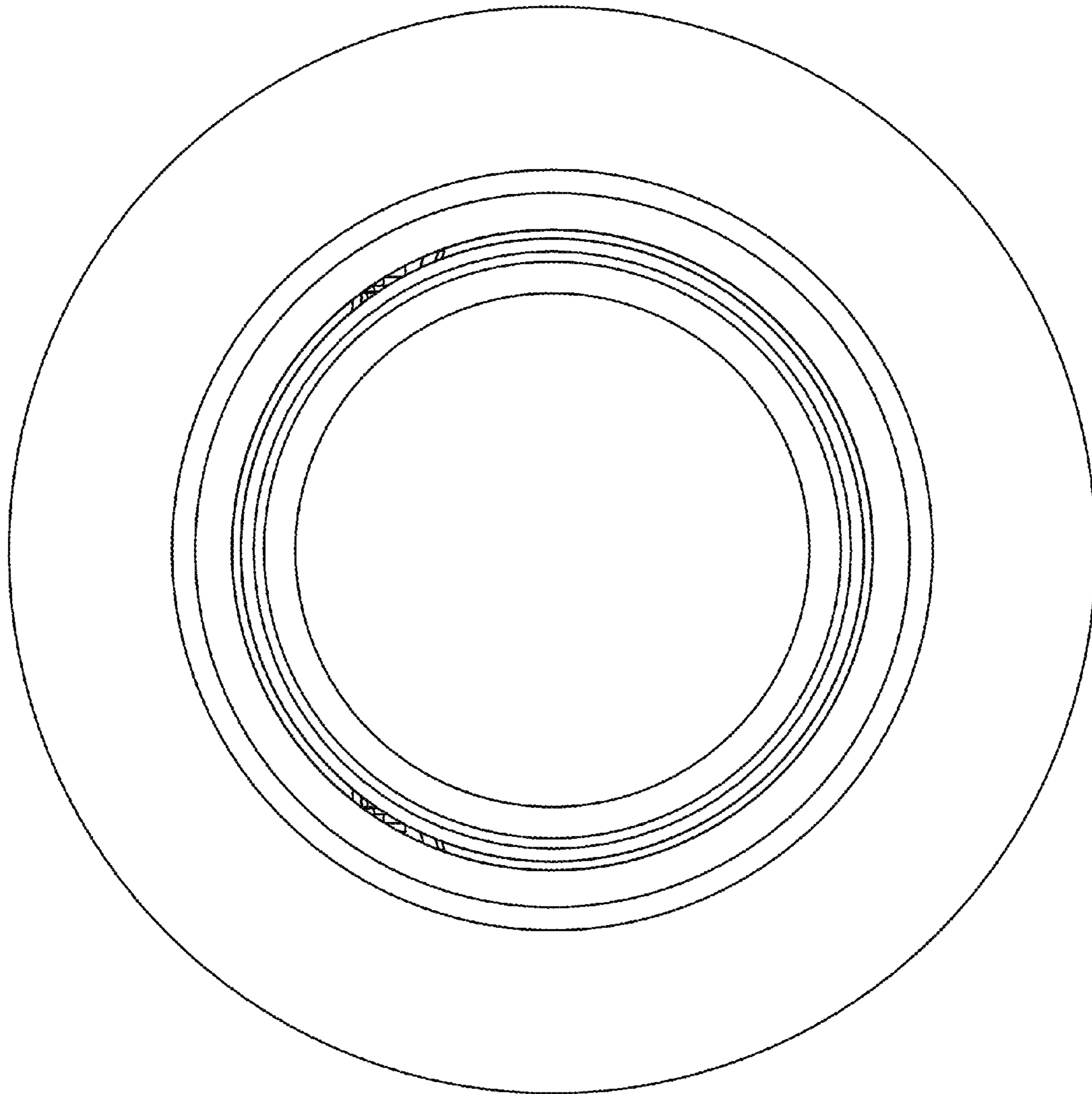


FIG. 13

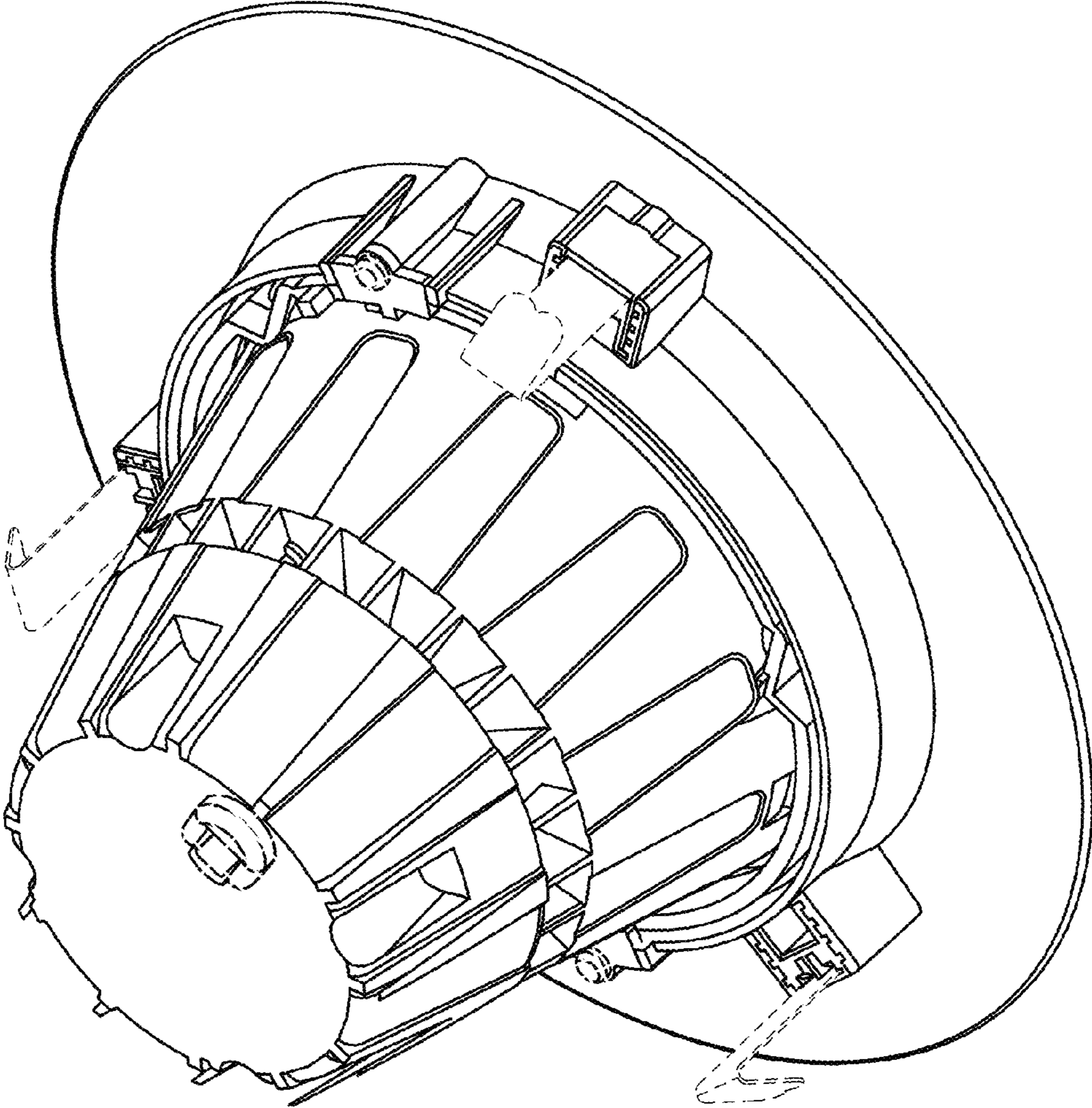


FIG. 14