



US00D762903S

(12) **United States Design Patent**
Tsai

(10) **Patent No.:** **US D762,903 S**
(45) **Date of Patent:** **** Aug. 2, 2016**

- (54) **SOLAR LASER LIGHT**
- (71) Applicant: **KE M.O. HOUSE CO., LTD.**,
Shenzhen, Guangdong (CN)
- (72) Inventor: **Mo-Tsan Tsai**, Guangdong (CN)
- (73) Assignee: **KE M.O. HOUSE CO., LTD.**,
Shenzhen, Guangdong (CN)
- (**) Term: **15 Years**
- (21) Appl. No.: **29/527,843**
- (22) Filed: **May 22, 2015**
- (51) **LOC (10) Cl.** **26-05**
- (52) **U.S. Cl.**
USPC **D26/67; D26/63**
- (58) **Field of Classification Search**
USPC D26/63, 67-70
CPC F21S 6/004; F21S 6/005; F21S 8/08;
F21S 8/081; F21S 8/083; F21S 8/088; F21S
9/03; F21S 9/032; F21S 9/035; F21S 9/037;
F21W 2131/109; F21W 2111/023; F21V
21/0824
See application file for complete search history.

- (56) **References Cited**
U.S. PATENT DOCUMENTS
D413,996 S * 9/1999 Andrus D26/63
D414,579 S * 9/1999 Denison D26/63
6,612,720 B1 * 9/2003 Beadle F21V 17/02
362/287

- D517,233 S * 3/2006 Doppelt D26/67
- 7,063,553 B1 * 6/2006 Mullen F21V 19/006
439/336
- D542,959 S * 5/2007 Yao D26/63
- 2005/0103378 A1 * 5/2005 Pu F21S 9/032
136/244
- 2007/0084500 A1 * 4/2007 Chen F16M 11/14
136/244
- 2009/0122564 A1 * 5/2009 Beadle F21S 8/081
362/431
- 2010/0302765 A1 * 12/2010 Yu F21S 8/081
362/183
- 2014/0293621 A1 * 10/2014 Baldwin F21V 23/06
362/362
- 2015/0260385 A1 * 9/2015 Brynjolfsson F21V 23/045
315/152

* cited by examiner

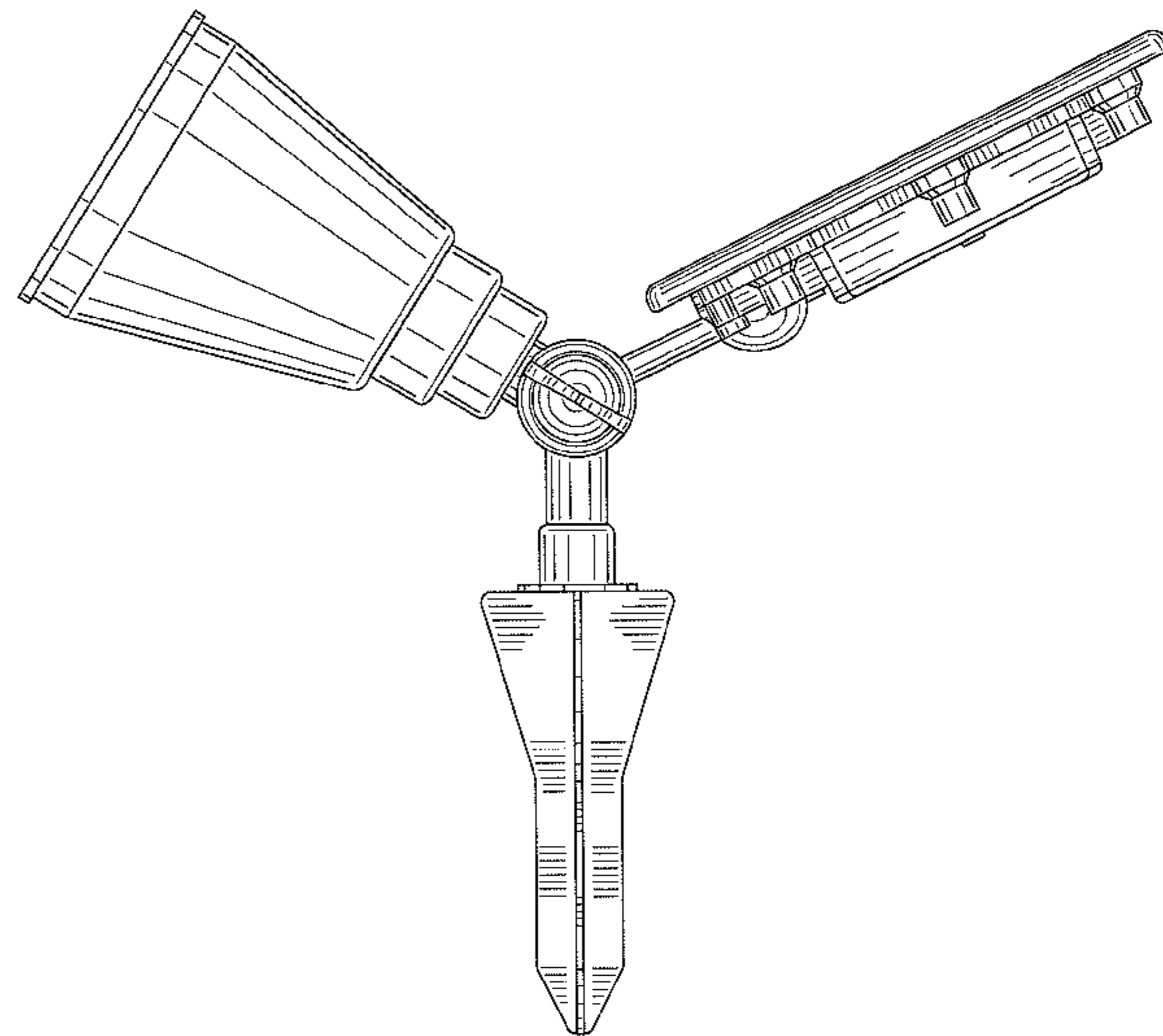
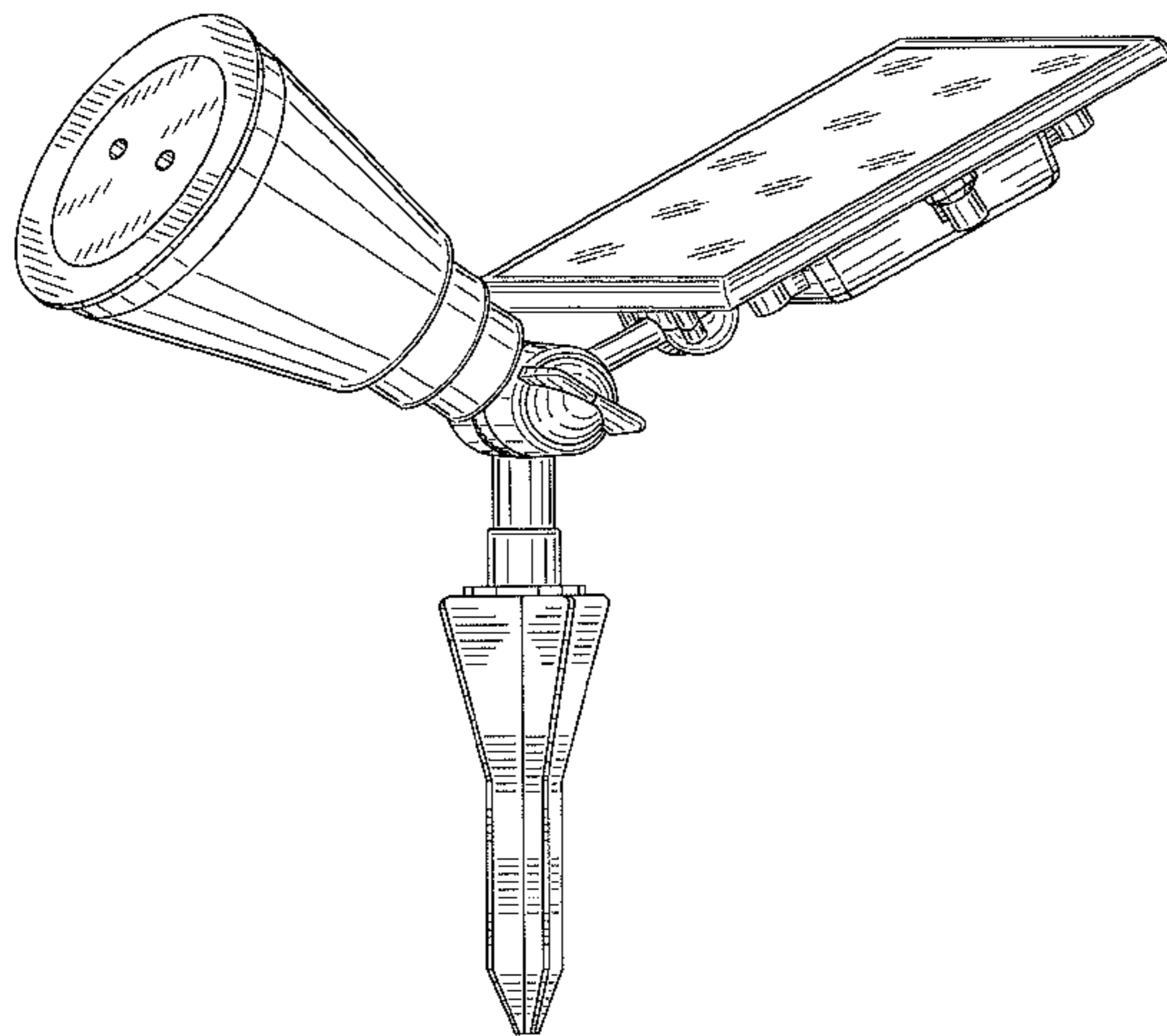
Primary Examiner — Clare E Heflin
(74) *Attorney, Agent, or Firm* — Ladas & Parry LLP

(57) **CLAIM**
I claim the ornamental design for a solar laser light, as shown.

DESCRIPTION

FIG. 1 is a perspective view of a solar laser light showing my new design;
FIG. 2 is a front elevational view thereof;
FIG. 3 is a left-side elevational view thereof;
FIG. 4 is a right-side elevational view thereof;
FIG. 5 is a top plan view thereof;
FIG. 6 is a rear elevational view thereof; and,
FIG. 7 is a bottom plan view thereof.

1 Claim, 7 Drawing Sheets



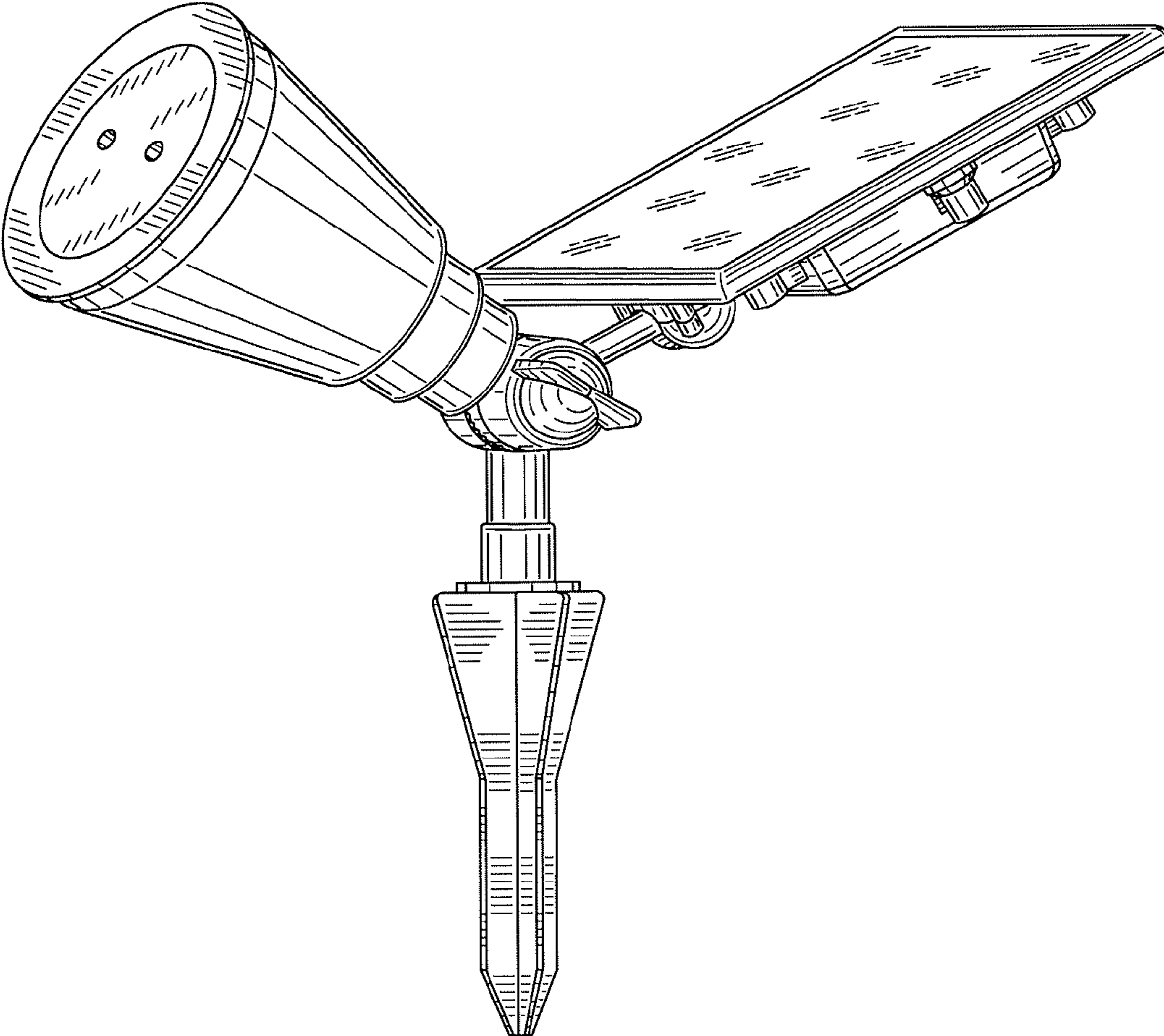


FIGURE 1

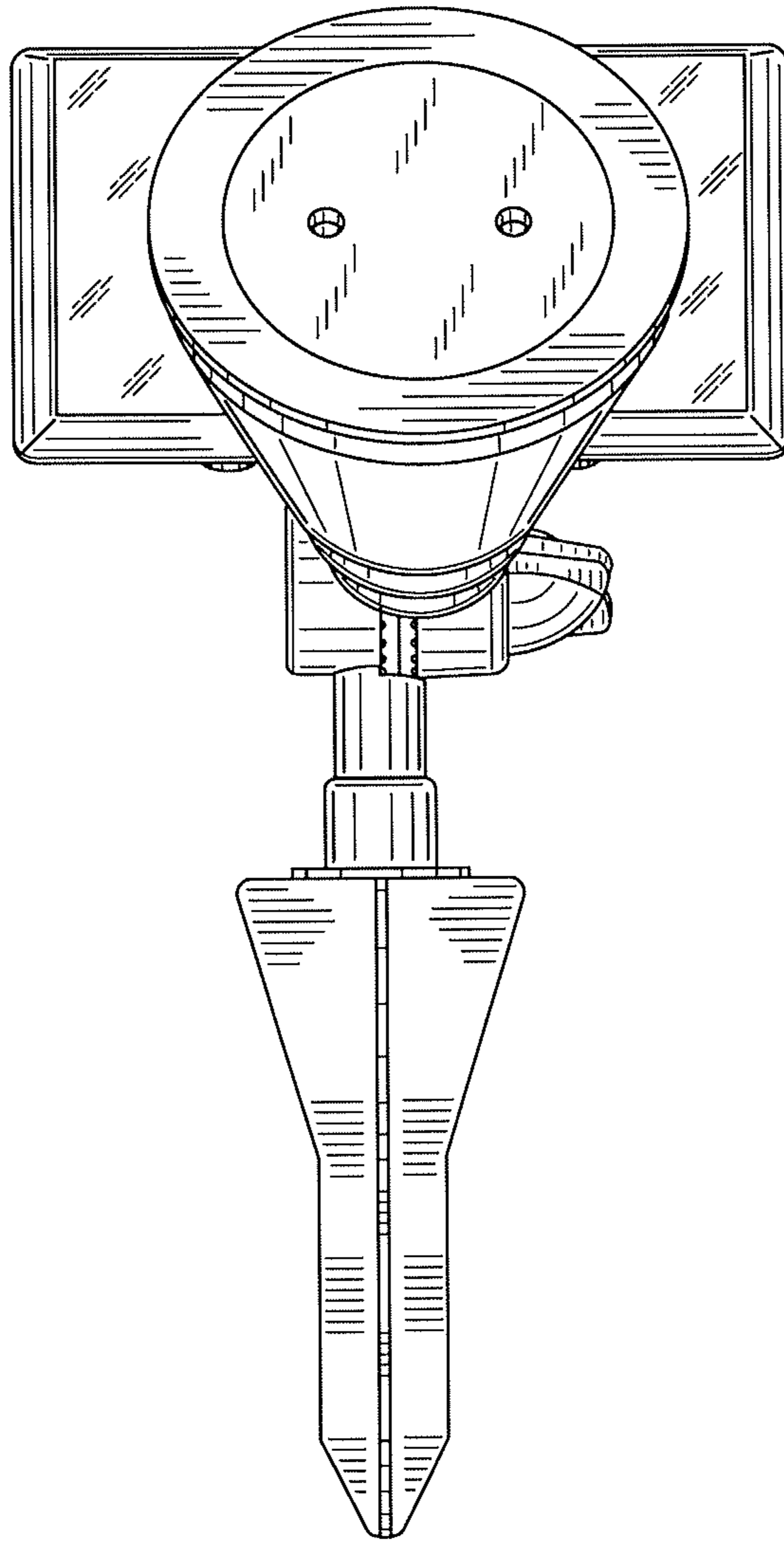


FIGURE 2

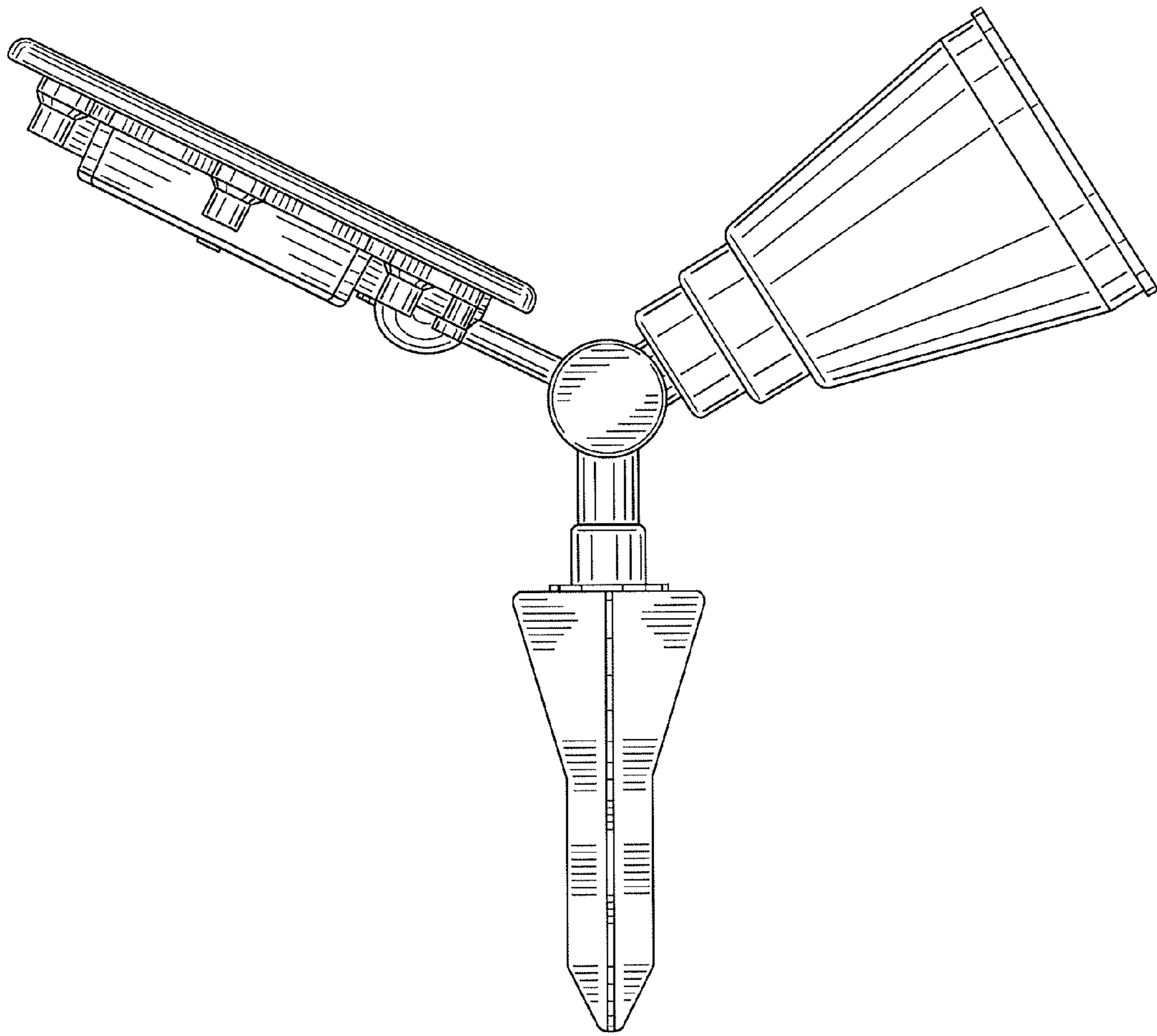


FIGURE 3

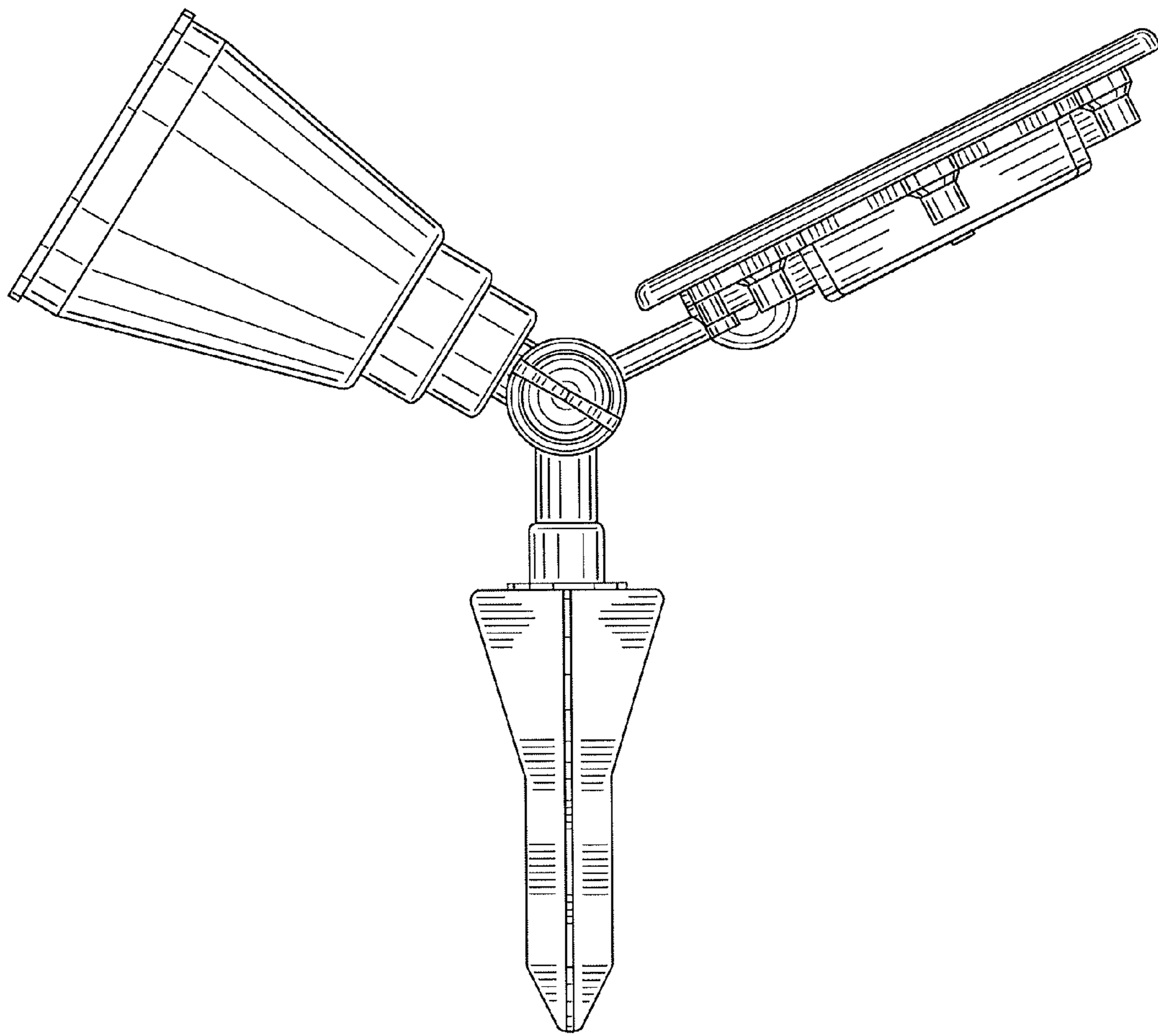


FIGURE 4

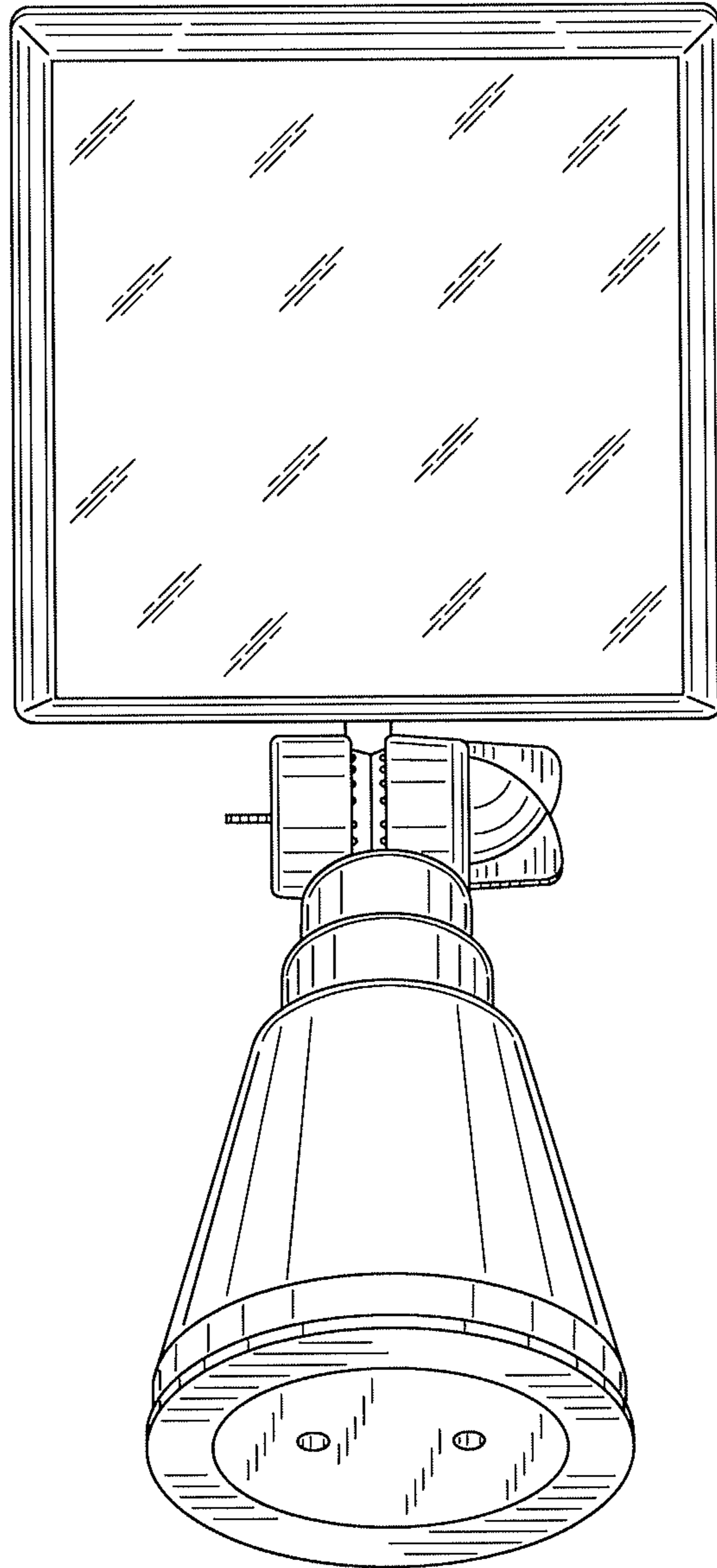


FIGURE 5

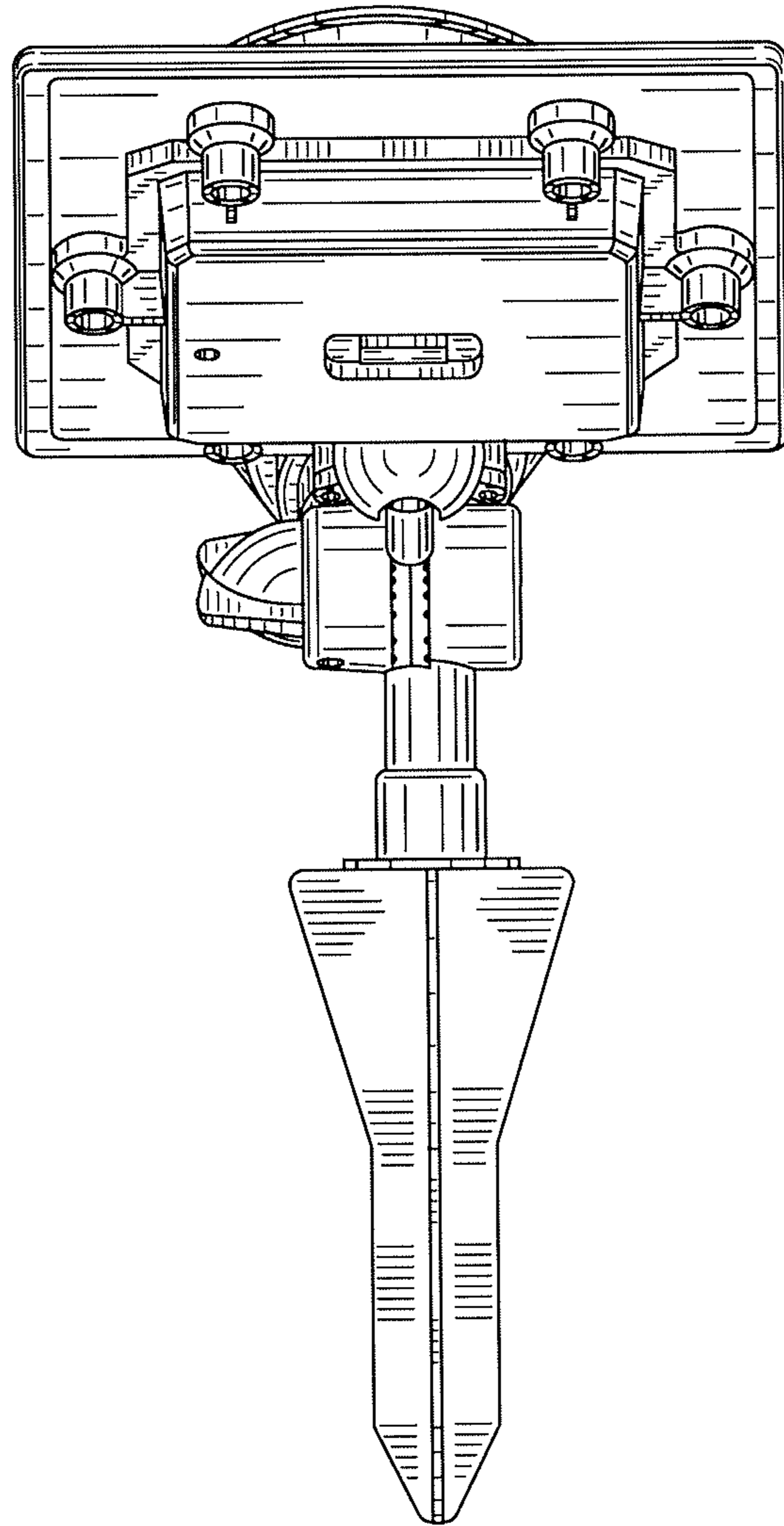


FIGURE 6

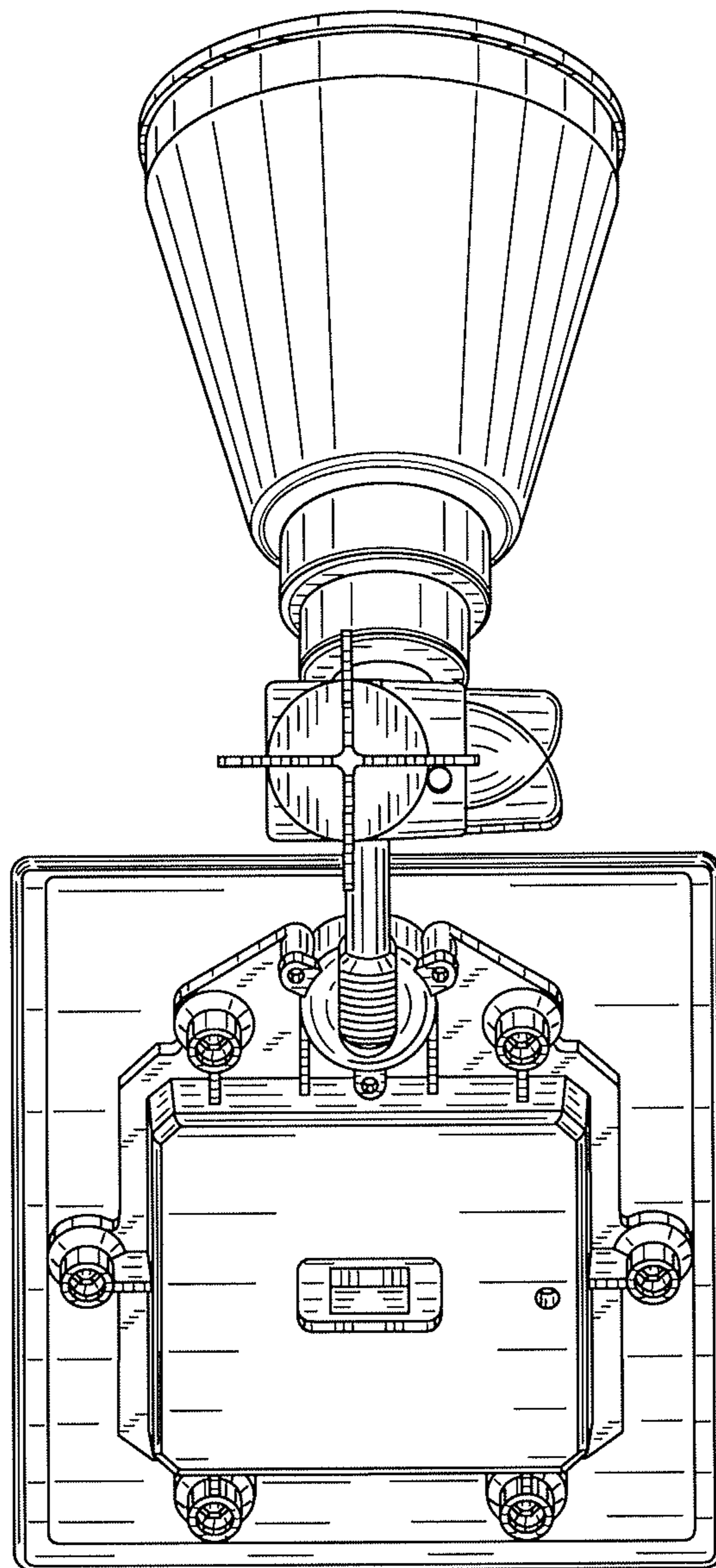


FIGURE 7