

US00D762900S

(12) **United States Design Patent**
Miller et al.

(10) **Patent No.:** **US D762,900 S**

(45) **Date of Patent:** **** Aug. 2, 2016**

(54) **FLEXIBLE LAMP**

Primary Examiner — Brian N Vinson

(71) Applicant: **Poppin, Inc.**, New York, NY (US)

(74) *Attorney, Agent, or Firm* — K&L Gates LLP

(72) Inventors: **Jeffrey Frederick Miller**, New York, NY (US); **Matteo Bonacina**, New York, NY (US); **Adrian Gomez**, Edgewater, NJ (US)

(57) **CLAIM**

The ornamental design for a flexible lamp, as shown and described.

(73) Assignee: **POPPIN, INC.**, New York, NY (US)

(**) Term: **14 Years**

DESCRIPTION

(21) Appl. No.: **29/517,623**

FIG. 1 is a front elevational view of a flexible lamp showing our new design;

(22) Filed: **Feb. 13, 2015**

FIG. 2 is a rear elevational view thereof;

(51) **LOC (10) Cl.** **26-05**

FIG. 3 is a left side elevational view thereof;

(52) **U.S. Cl.**

FIG. 4 is a right side elevational view thereof;

USPC **D26/62**

FIG. 5 is a top plan view thereof;

(58) **Field of Classification Search**

FIG. 6 is a bottom plan view thereof;

USPC D26/1, 24, 61, 63, 65, 85, 93, 106, 107, D26/62

FIG. 7 is a left side elevational view thereof, shown in an alternate position;

CPC F21V 21/14; F21V 15/01; F21V 14/02; F21V 21/30; F21V 21/00; F21V 14/00; F21S 8/00; F21S 8/003; F21S 8/043; F21Y 2105/001

FIG. 8 is a left side elevational view thereof, shown in an alternate position;

See application file for complete search history.

FIG. 9 is a left side elevational view thereof, shown in an alternate position;

(56) **References Cited**

U.S. PATENT DOCUMENTS

D569,539 S *	5/2008	Behar	D26/63
D599,930 S *	9/2009	Huang	D26/63
D621,980 S *	8/2010	Munger	D26/61
D644,367 S *	8/2011	Fu	D26/65
D683,887 S *	6/2013	Sabernig	D26/93

FIG. 10 is a right side elevational view thereof, shown in an alternate position;

FIG. 11 is a right side elevational view thereof, shown in an alternate position;

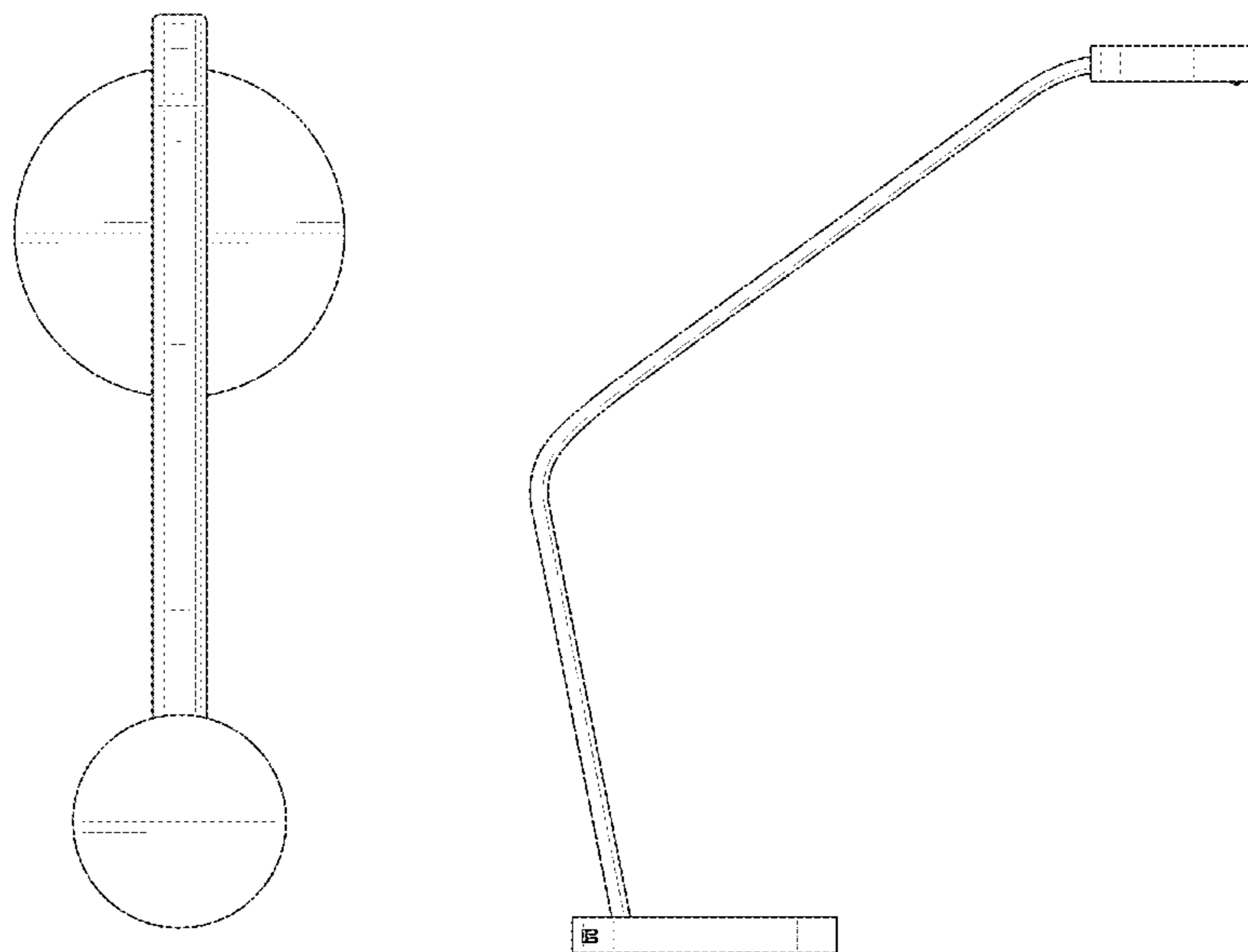
FIG. 12 is a right side perspective view thereof, shown in an alternate position;

FIG. 13 is a right side perspective view thereof, shown in an alternate position; and,

FIG. 14 is a front and right side perspective view thereof, shown in an alternate position.

* cited by examiner

1 Claim, 14 Drawing Sheets



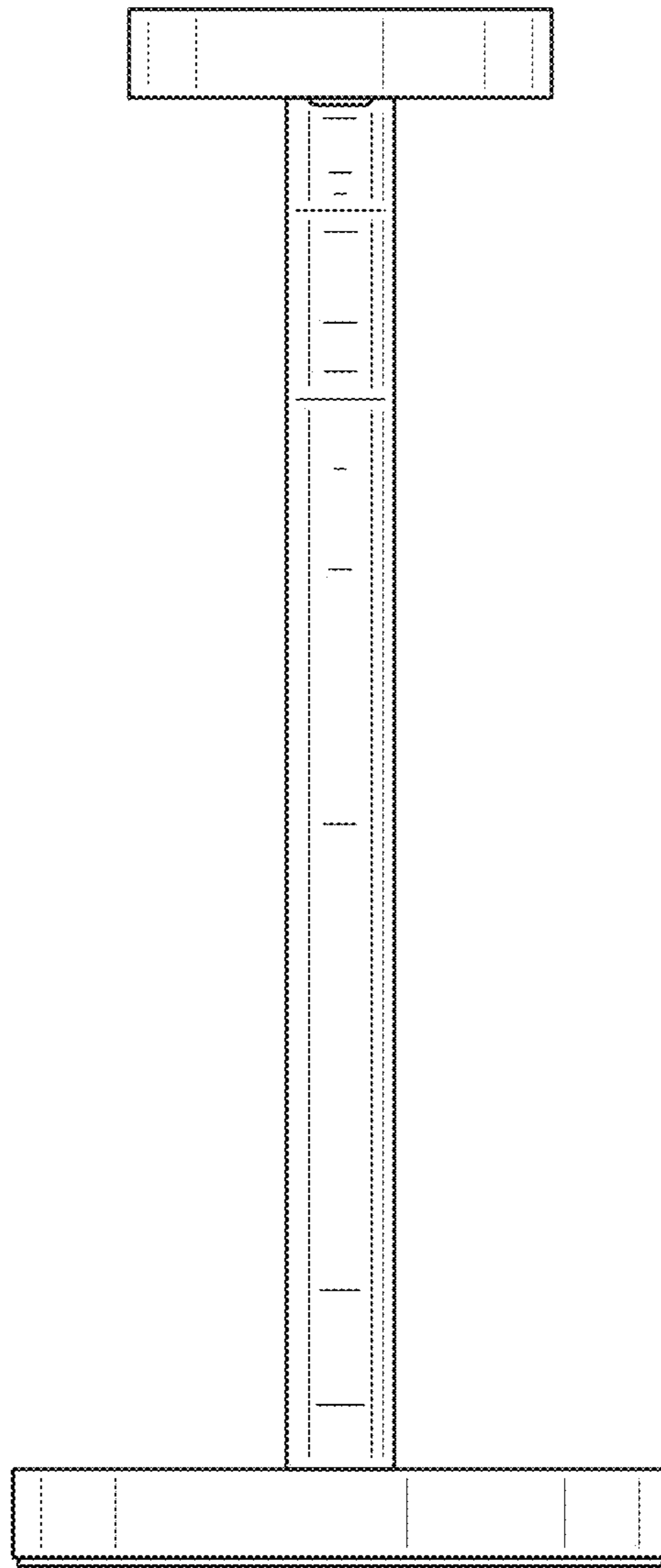


FIG. 1

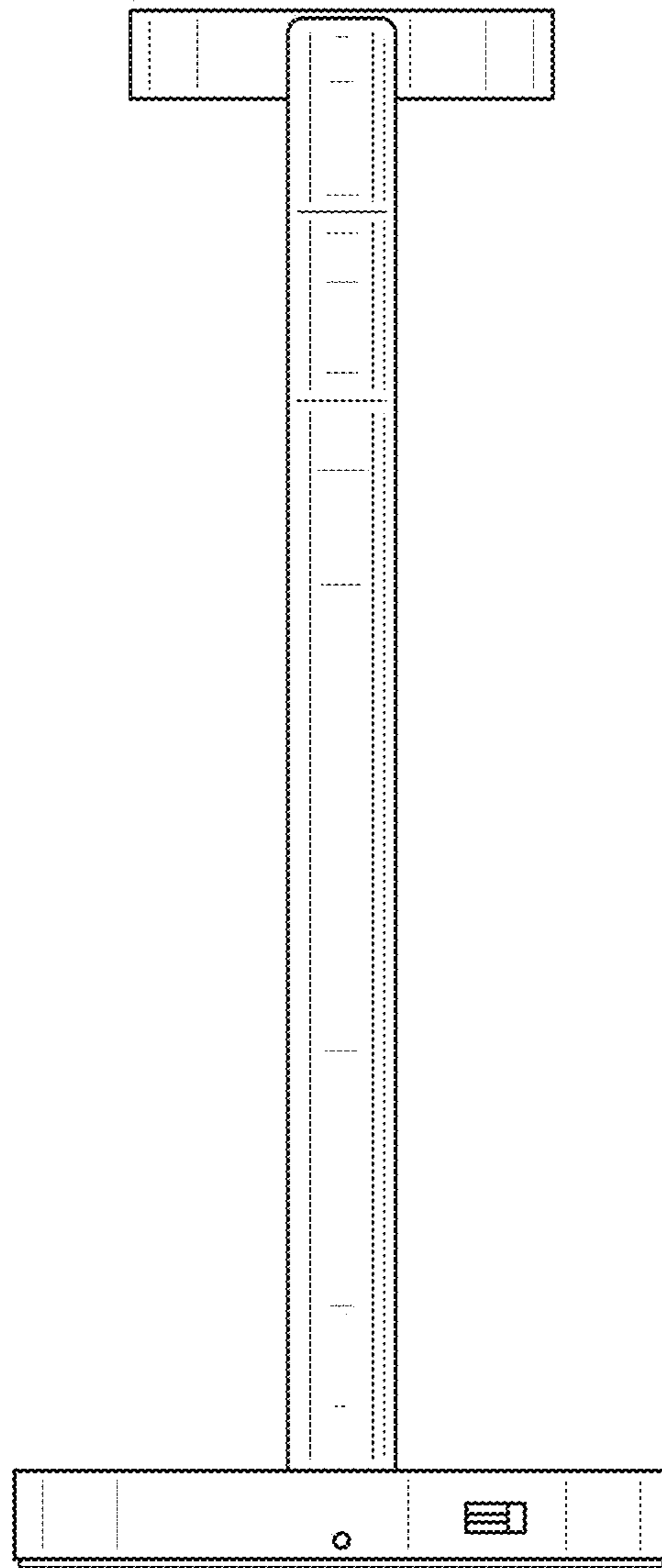


FIG. 2

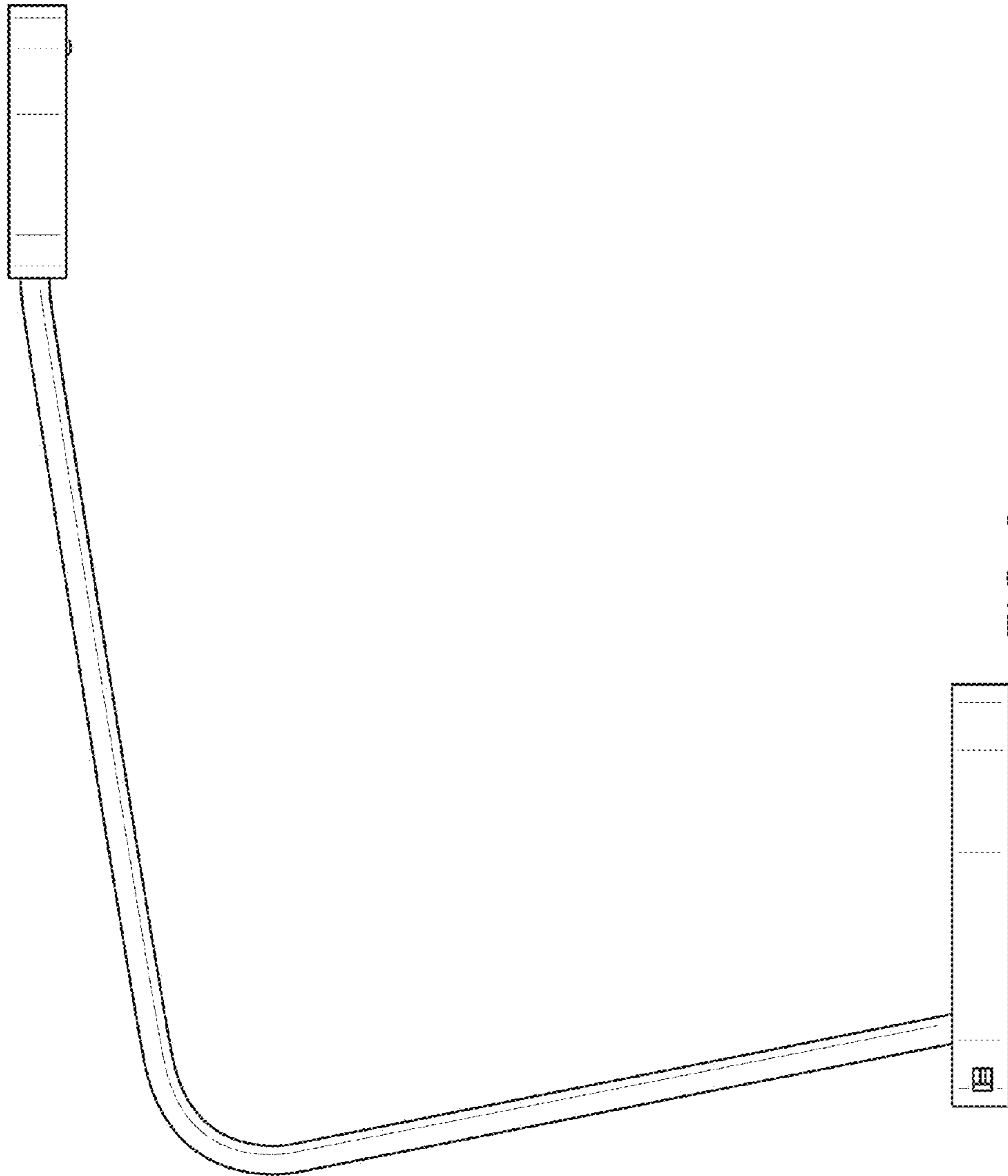


FIG. 3

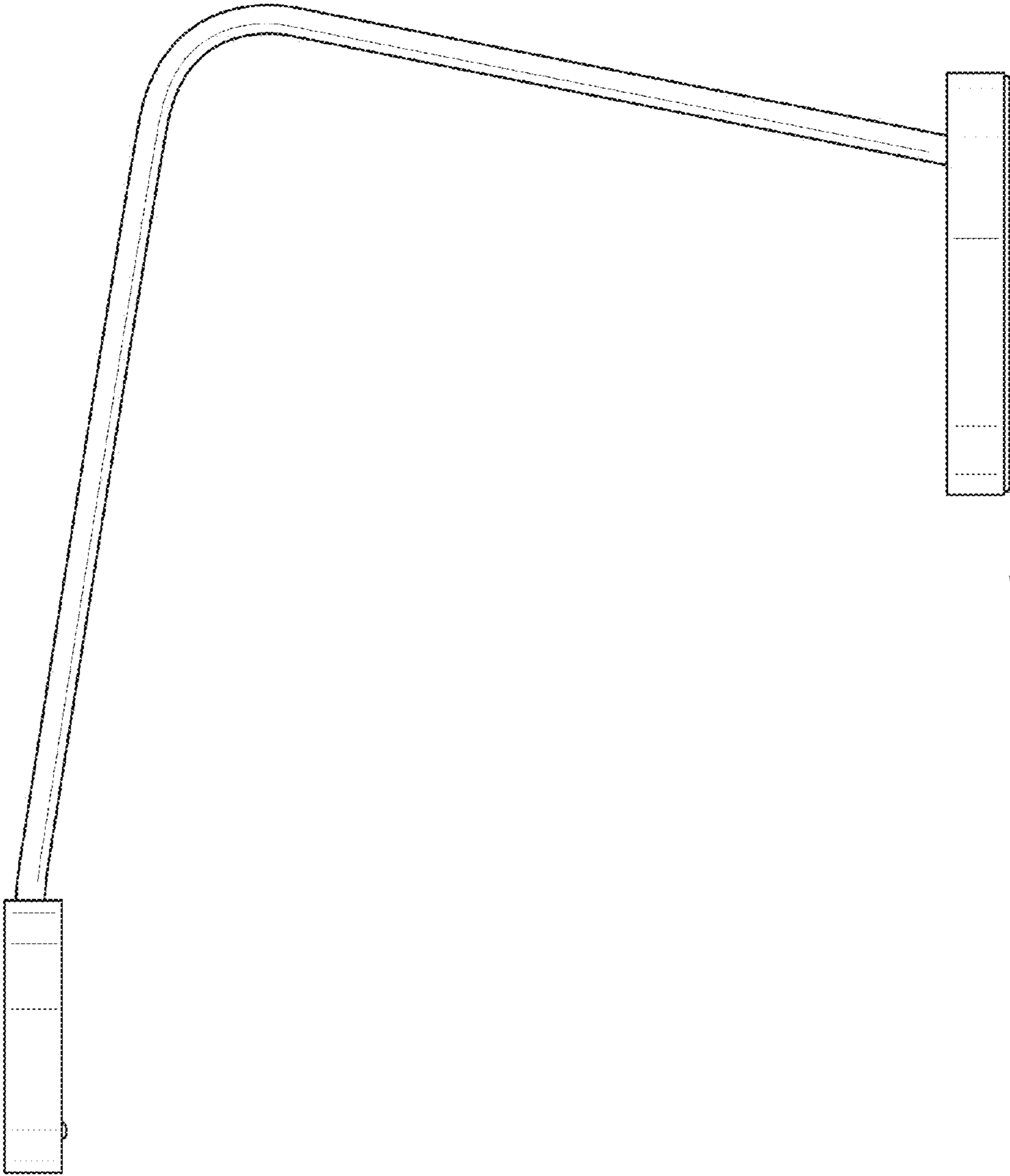


FIG. 4

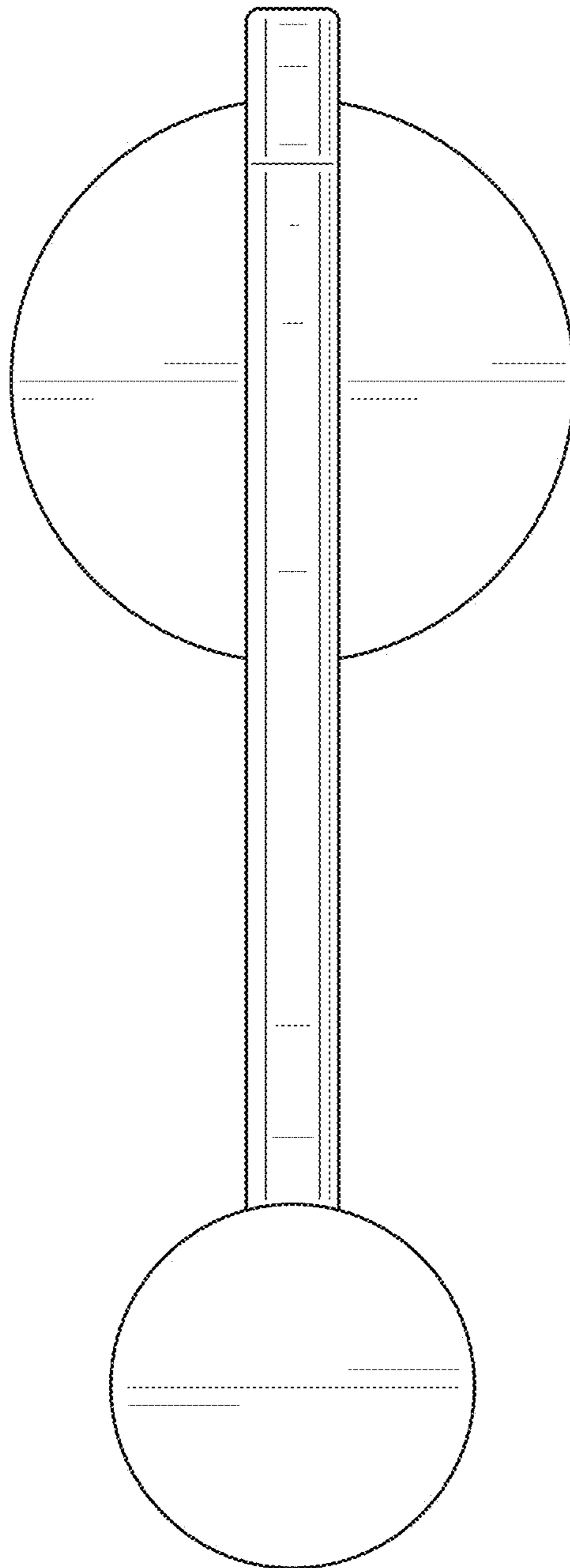


FIG. 5

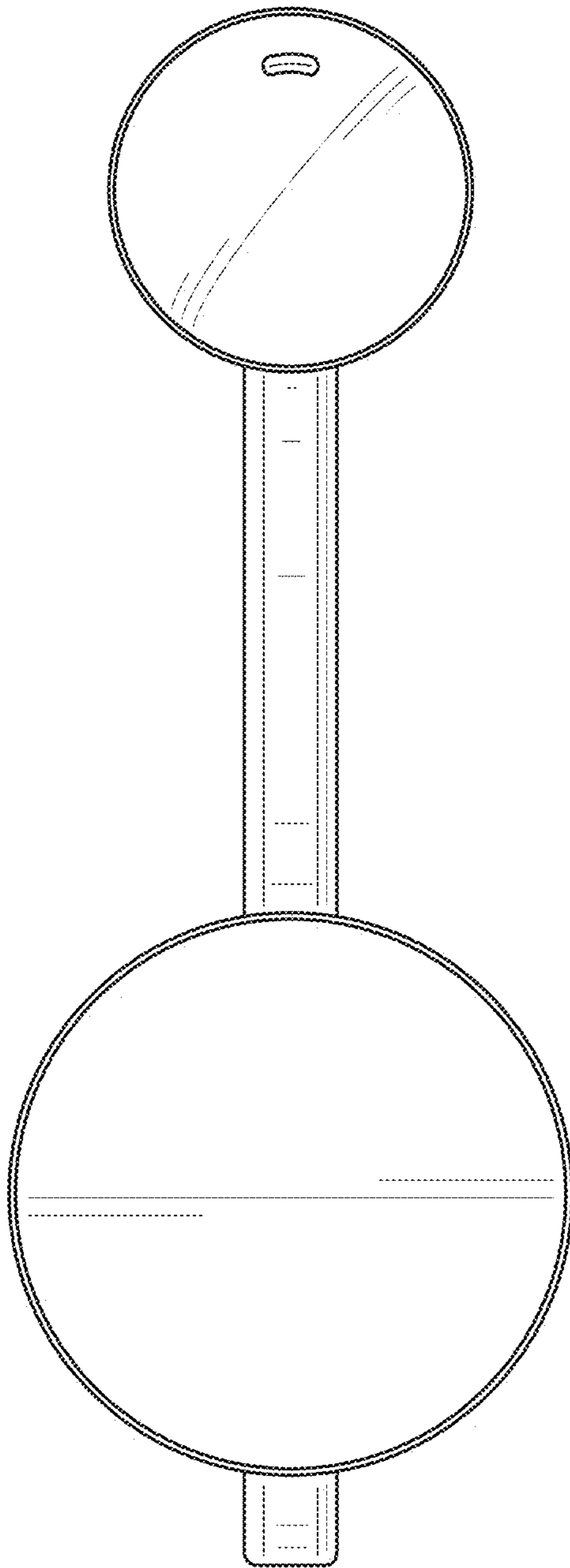


FIG. 6

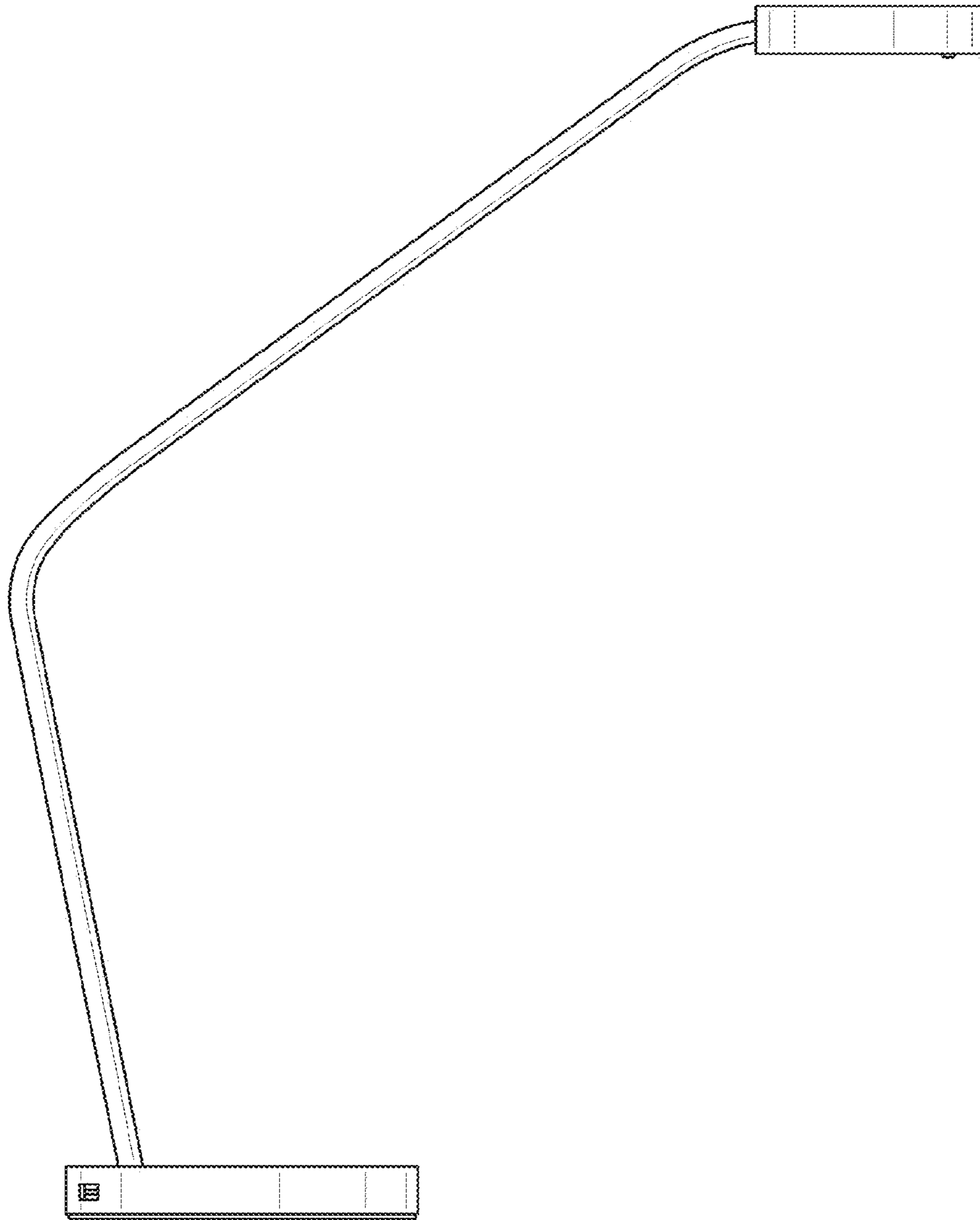


FIG. 7

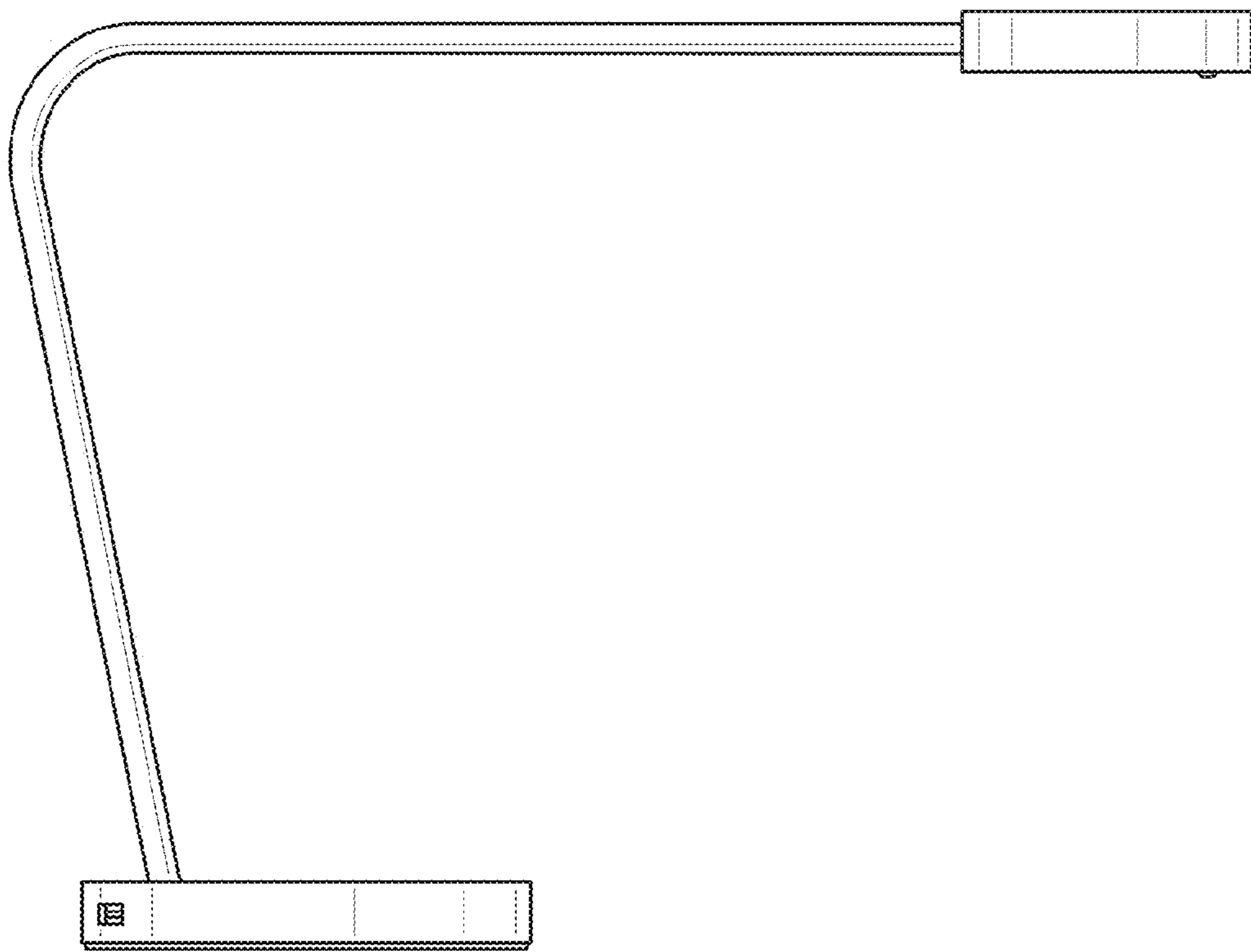


FIG. 8

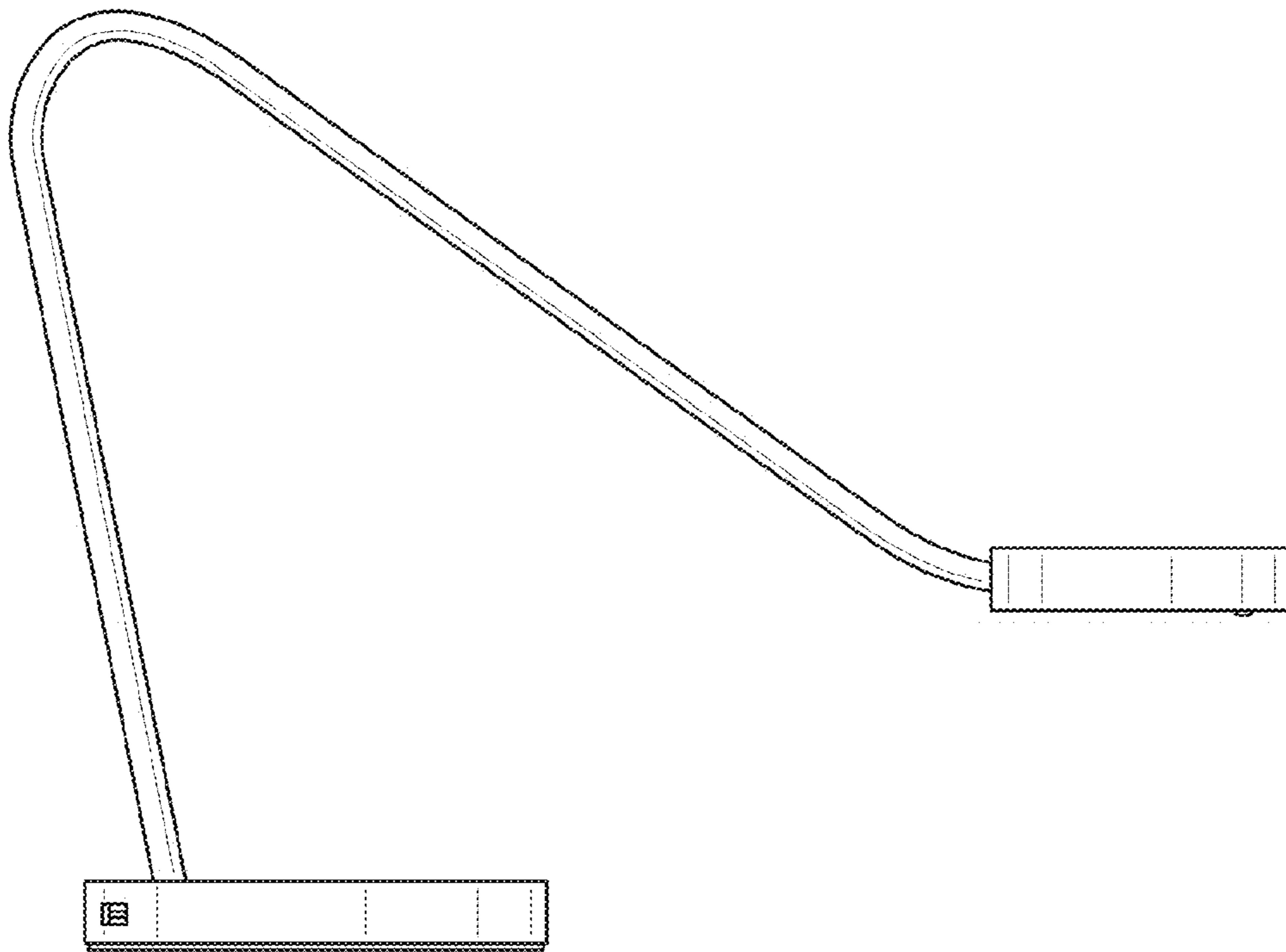


FIG. 9

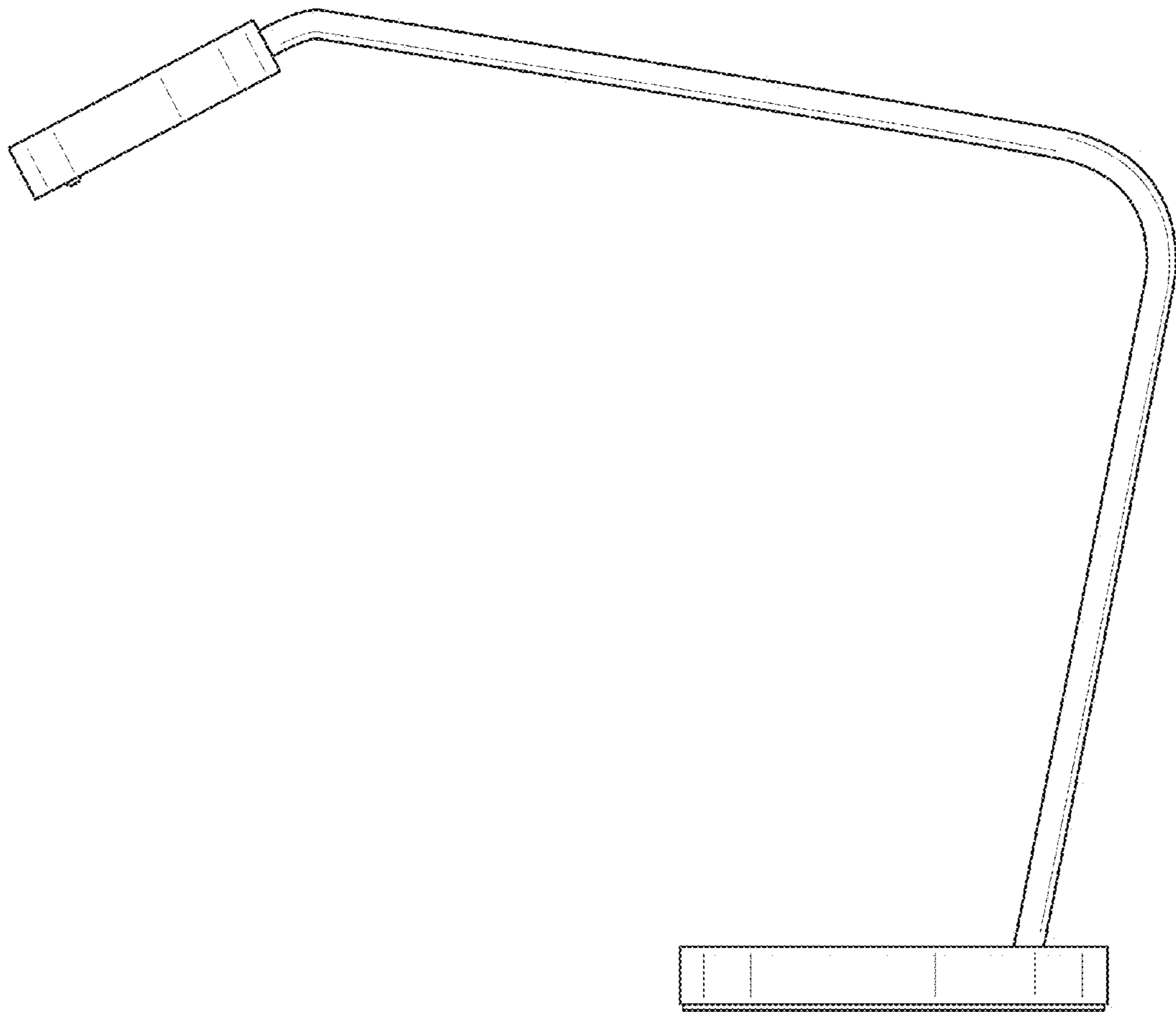


FIG. 10

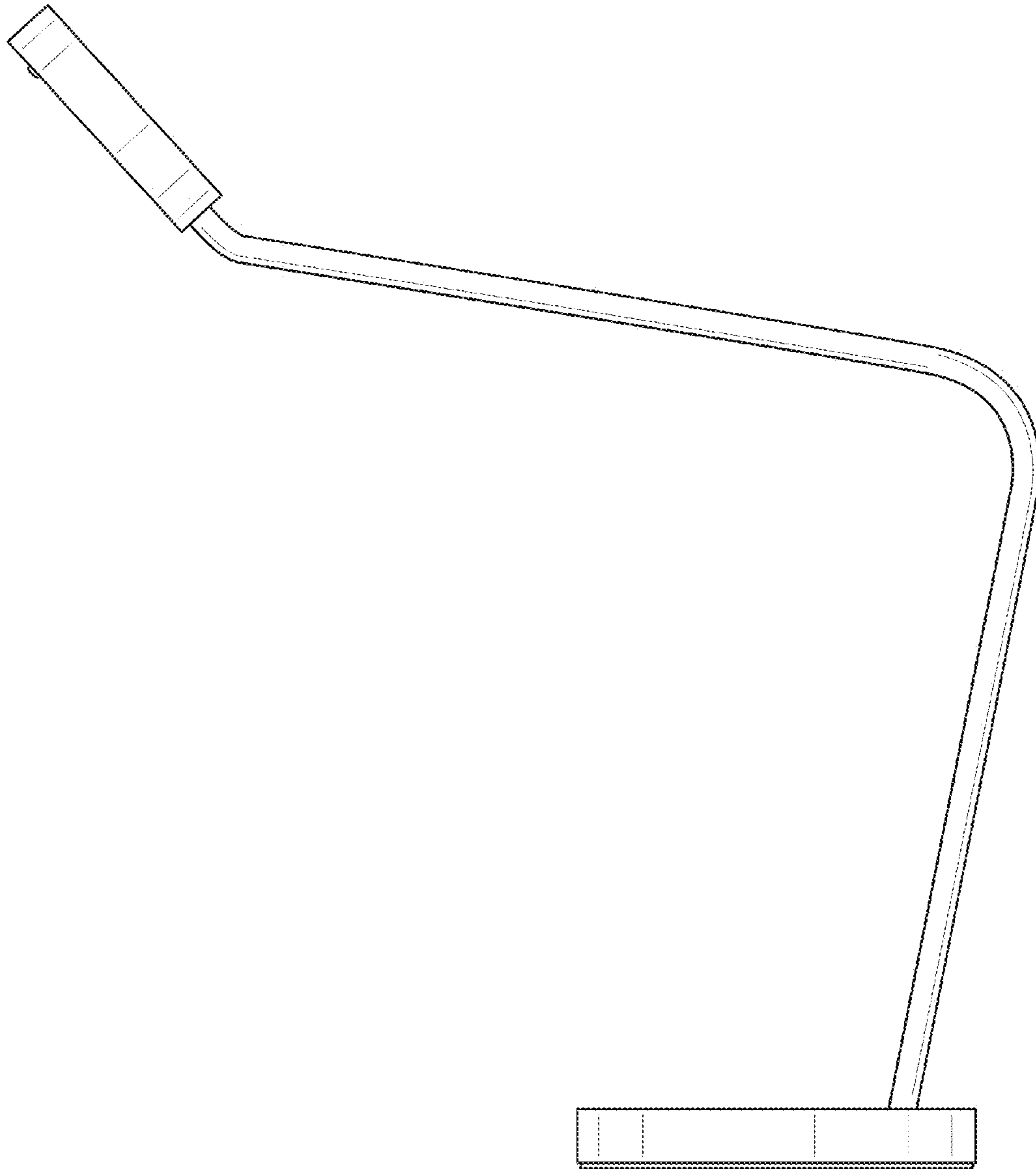


FIG. 11

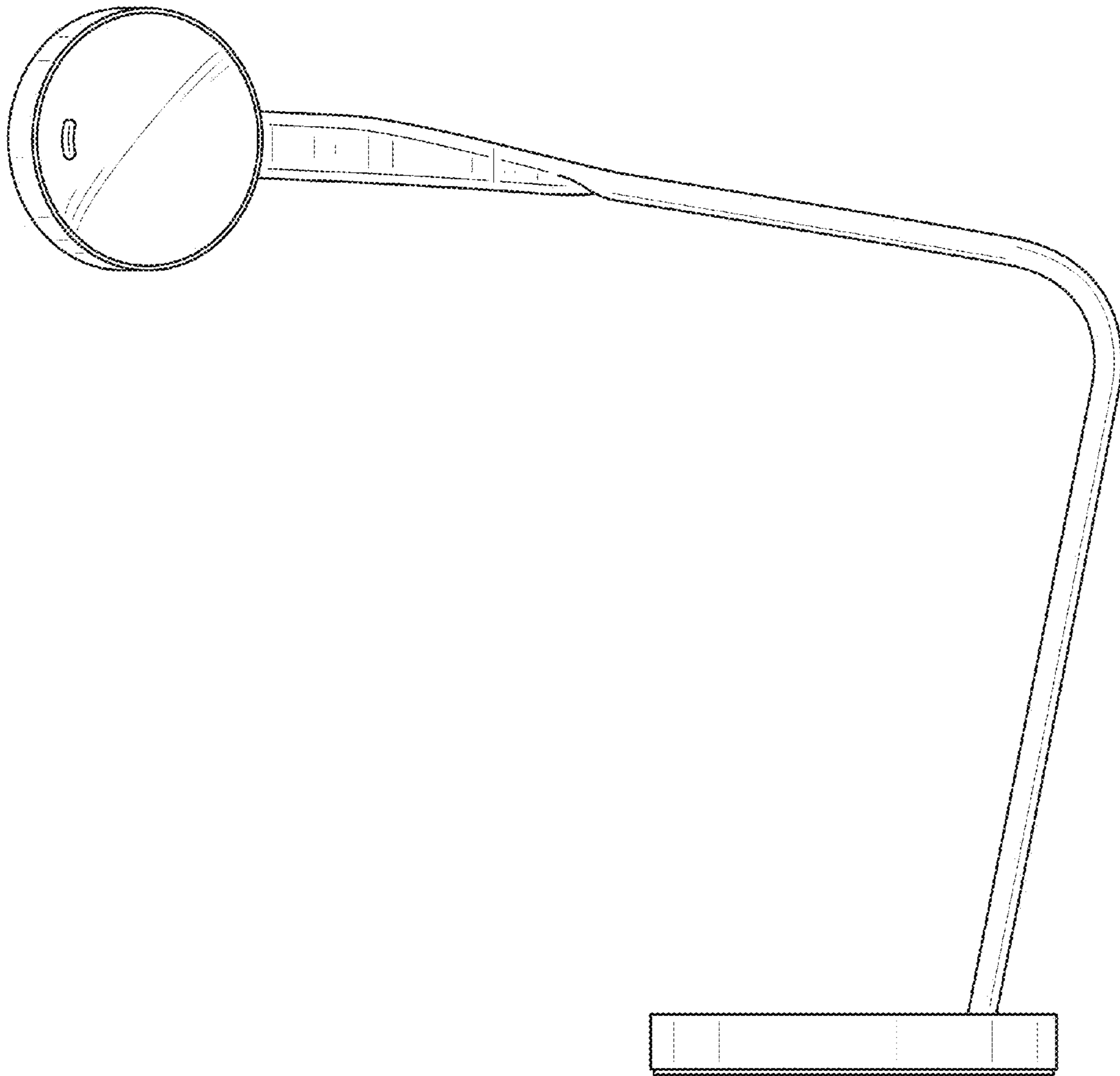


FIG. 12

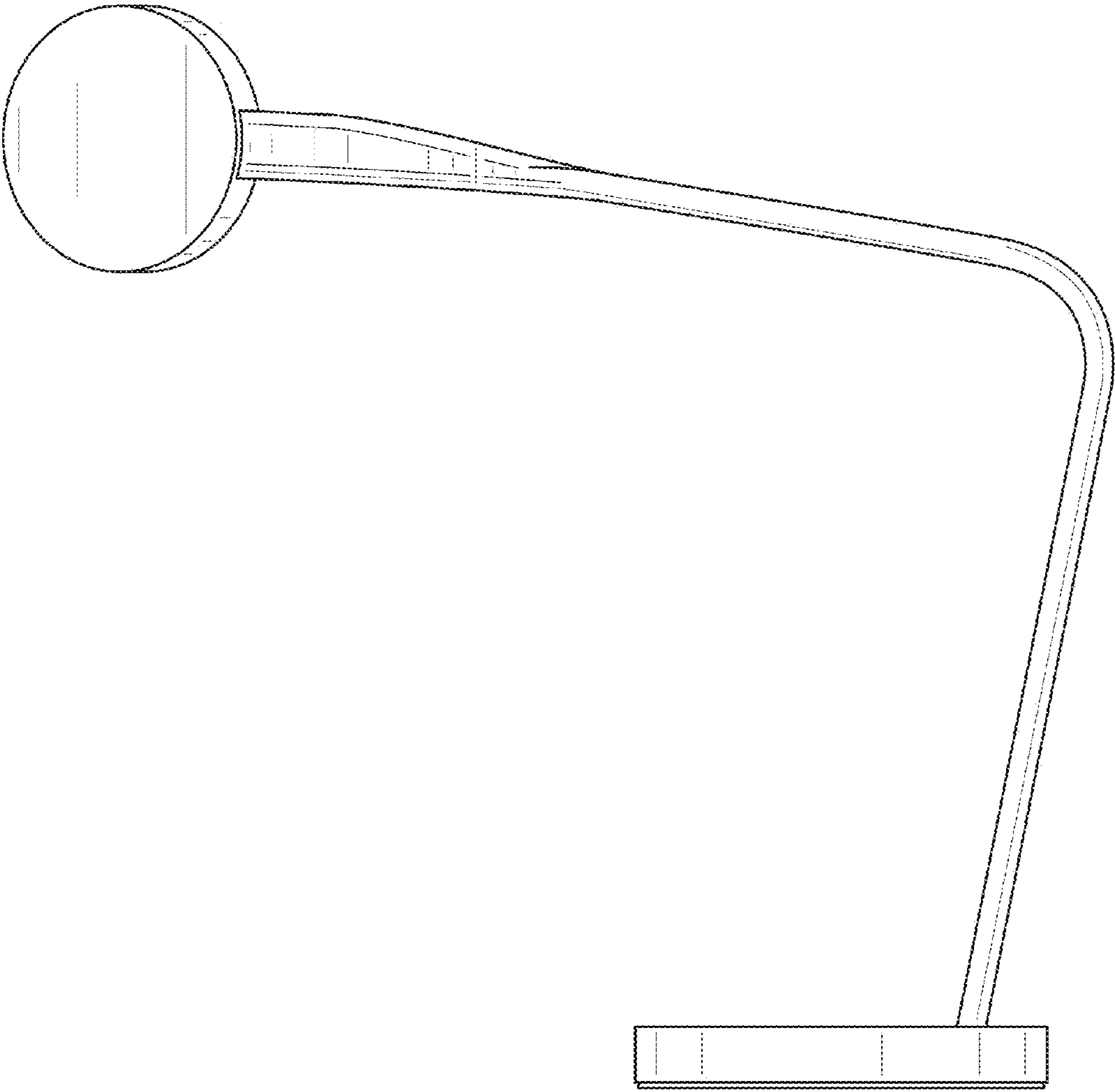


FIG. 13

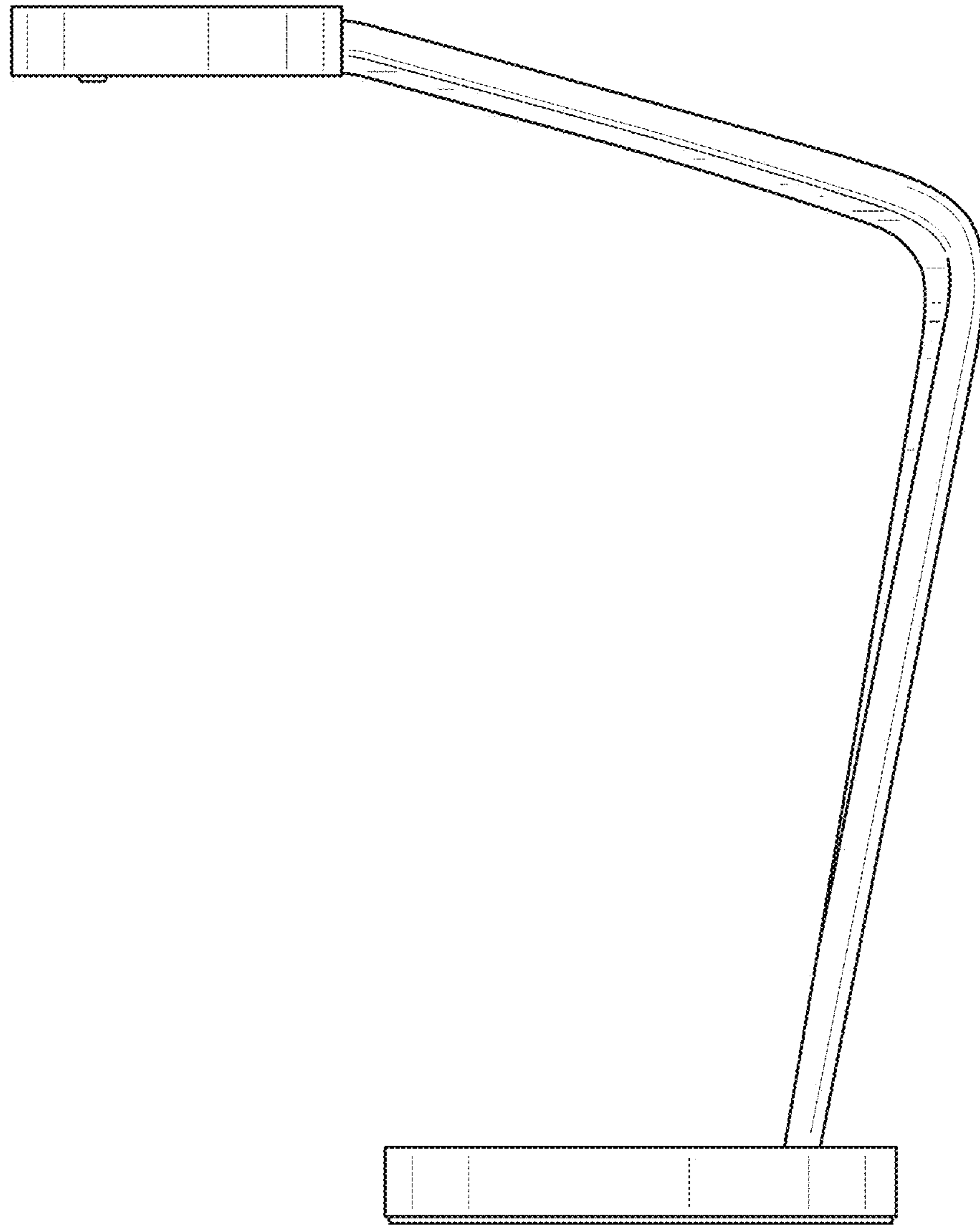


FIG. 14