



US00D762889S

(12) **United States Design Patent**
Luke et al.

(10) **Patent No.:** **US D762,889 S**
(45) **Date of Patent:** **** Aug. 2, 2016**

(54) **TURN SIGNAL LAMP**

FOREIGN PATENT DOCUMENTS

(71) Applicant: **Gogoro Inc.**, Hong Kong (CN)

TW 114554 12/2006
TW 141327 7/2011

(72) Inventors: **Hok-Sum Horace Luke**, Mercer Island, WA (US); **Chien-Chih Weng**, New Taipei (TW); **Hsin-Wen Su**, Taipei (TW); **Song-Fu Wang**, Taipei (TW)

OTHER PUBLICATIONS

Taiwanese Office Action with English Translation dated Jun. 11, 2015, for corresponding TW Application No. 103306726, 6 pages.

(73) Assignee: **GOGORO INC.**, Hong Kong (CN)

Primary Examiner — Marcus Jackson

(**) Term: **14 Years**

(74) *Attorney, Agent, or Firm* — Seed IP Law Group PLLC

(21) Appl. No.: **29/506,641**

(57) **CLAIM**

The ornamental design for a turn signal lamp, as shown and described.

(22) Filed: **Oct. 17, 2014**

DESCRIPTION

(51) **LOC (10) Cl.** **26-06**

FIG. 1 is a rear perspective view of a first embodiment of a turn signal lamp for one side of a vehicle showing our new design.

(52) **U.S. Cl.**

FIG. 2 is a rear perspective view of the rear thereof.

USPC **D26/28**

FIG. 3 is a top plan view thereof.

(58) **Field of Classification Search**

USPC D26/28-36; 362/459-468, 475-478, 362/485-487

FIG. 4 is a bottom plan view thereof.

CPC F21S 48/00; F21S 48/10; F21S 48/115; F21S 48/225; F21S 48/1233; F21S 48/1266; F21S 48/1388; F21S 48/2268; F21V 21/04

FIG. 5 is a front elevational view thereof.

See application file for complete search history.

FIG. 6 is a rear elevational view thereof.

FIG. 7 is a left side elevational view thereof; and,

FIG. 8 is a right side elevational view thereof.

Our novel design also includes a second embodiment for use on an opposite side of a vehicle which is mirror symmetrical to FIGS. 1-8 and therefore not separately illustrated.

(56) **References Cited**

U.S. PATENT DOCUMENTS

4,536,005 A	8/1985	Tanaka et al.	
4,715,465 A	12/1987	Takahashi et al.	
4,719,983 A	1/1988	Bruzzone	
4,800,980 A	1/1989	Hideo et al.	
D314,166 S	1/1991	Shively et al.	
D343,466 S *	1/1994	Starks, Jr.	D20/42
D361,741 S	8/1995	Sofue et al.	

Stippling and contour lines shown in FIGS. 1-8 are intended to represent approximate three-dimensional contours of the design, and are not intended to indicate surface decoration.

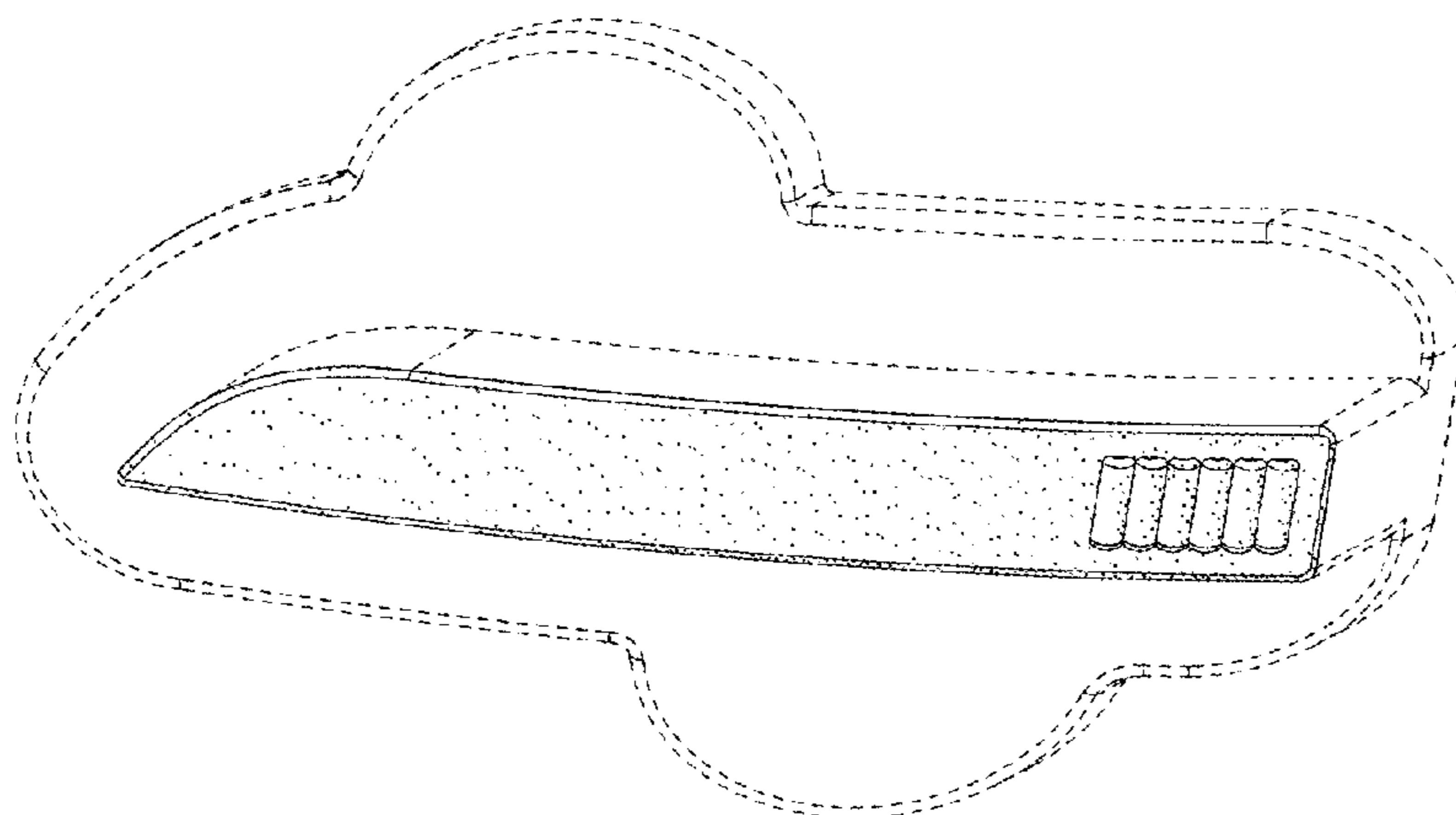
The rear of the first embodiment and second embodiment of our new design for a turn signal lamp are devoid of surface ornamentation.

The broken lines in FIGS. 1-8 are for the purpose of illustrating environmental structure for the claimed design and form no part of the claimed design.

The stippling shown in FIGS. 1-8 is intended to represent transparent surfaces of the design, and are not intended to indicate surface decoration.

(Continued)

1 Claim, 4 Drawing Sheets



(56)

References Cited

U.S. PATENT DOCUMENTS

D399,174 S 10/1998 Takeshita et al.
D400,992 S * 11/1998 Ruminski D26/31
D480,661 S 10/2003 Kawawa et al.
D490,750 S 6/2004 Hoshino
D503,908 S 4/2005 Tomomatsu et al.
D514,987 S 2/2006 Hsiao
D529,415 S 10/2006 Shimada et al.
D537,386 S 2/2007 Mizuta et al.
D537,756 S 3/2007 Kitayama et al.

D574,300 S 8/2008 Kitayama et al.
D602,402 S 10/2009 Takahashi et al.
D610,490 S 2/2010 Wong
D629,721 S 12/2010 Takeno et al.
D644,961 S 9/2011 Watanabe et al.
D654,402 S 2/2012 Lambri et al.
D657,722 S 4/2012 Lambri et al.
D662,860 S 7/2012 Devernay et al.
D670,205 S 11/2012 Takakuwa et al.
D678,128 S 3/2013 Lambri et al.
D678,129 S 3/2013 Kubota et al.
D726,076 S 4/2015 Arai et al.

* cited by examiner

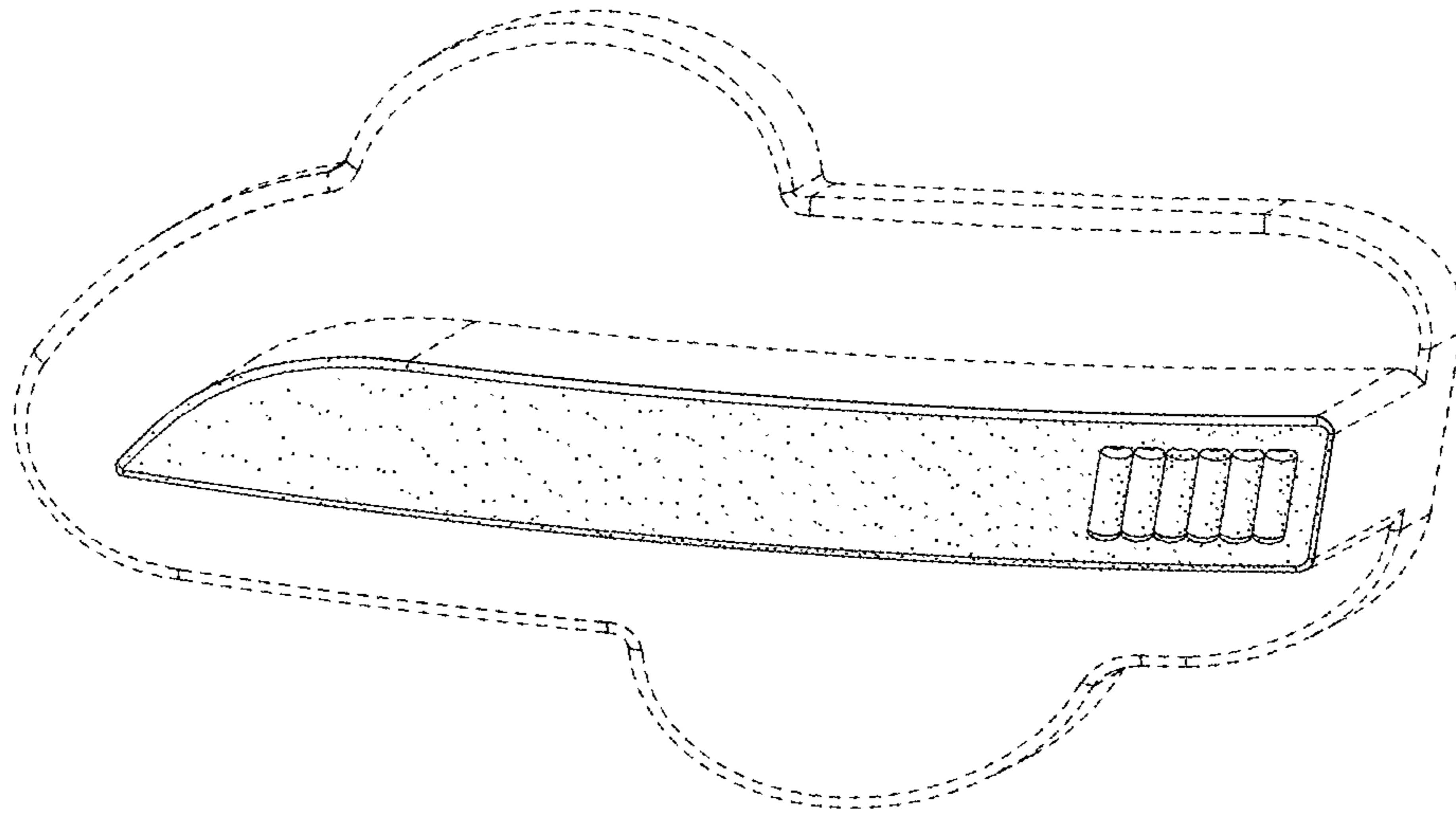


FIG. 1

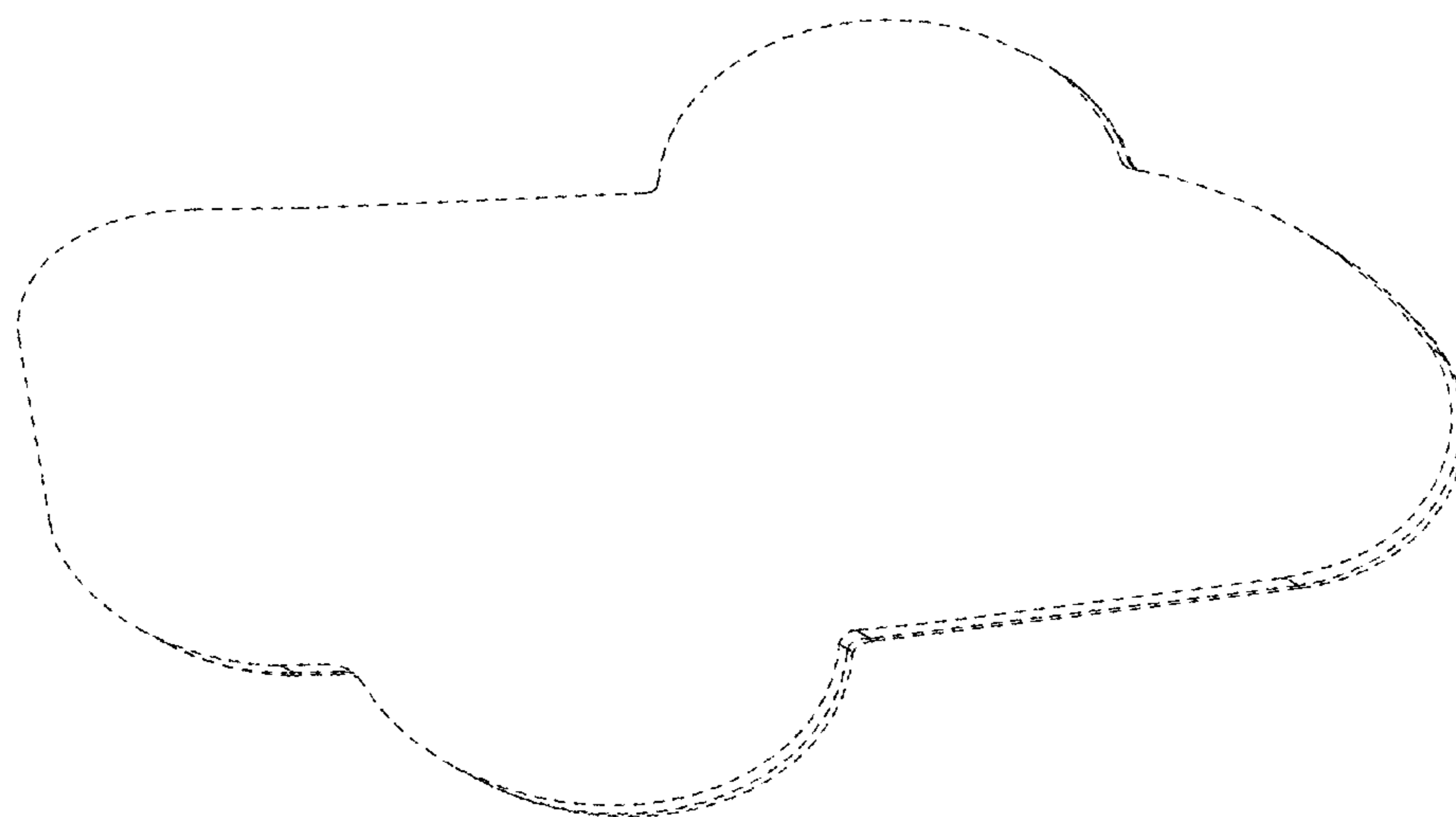


FIG. 2

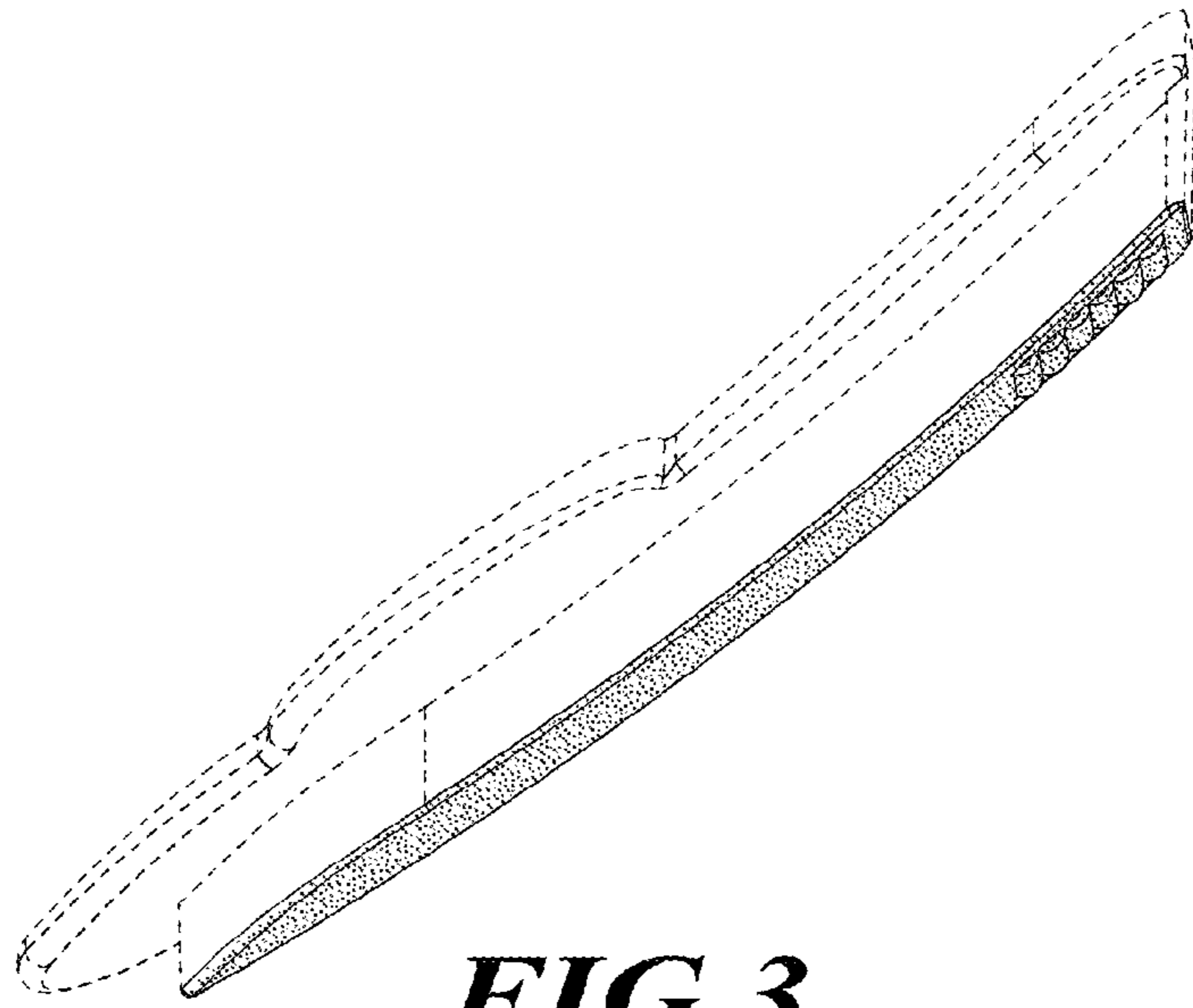


FIG. 3

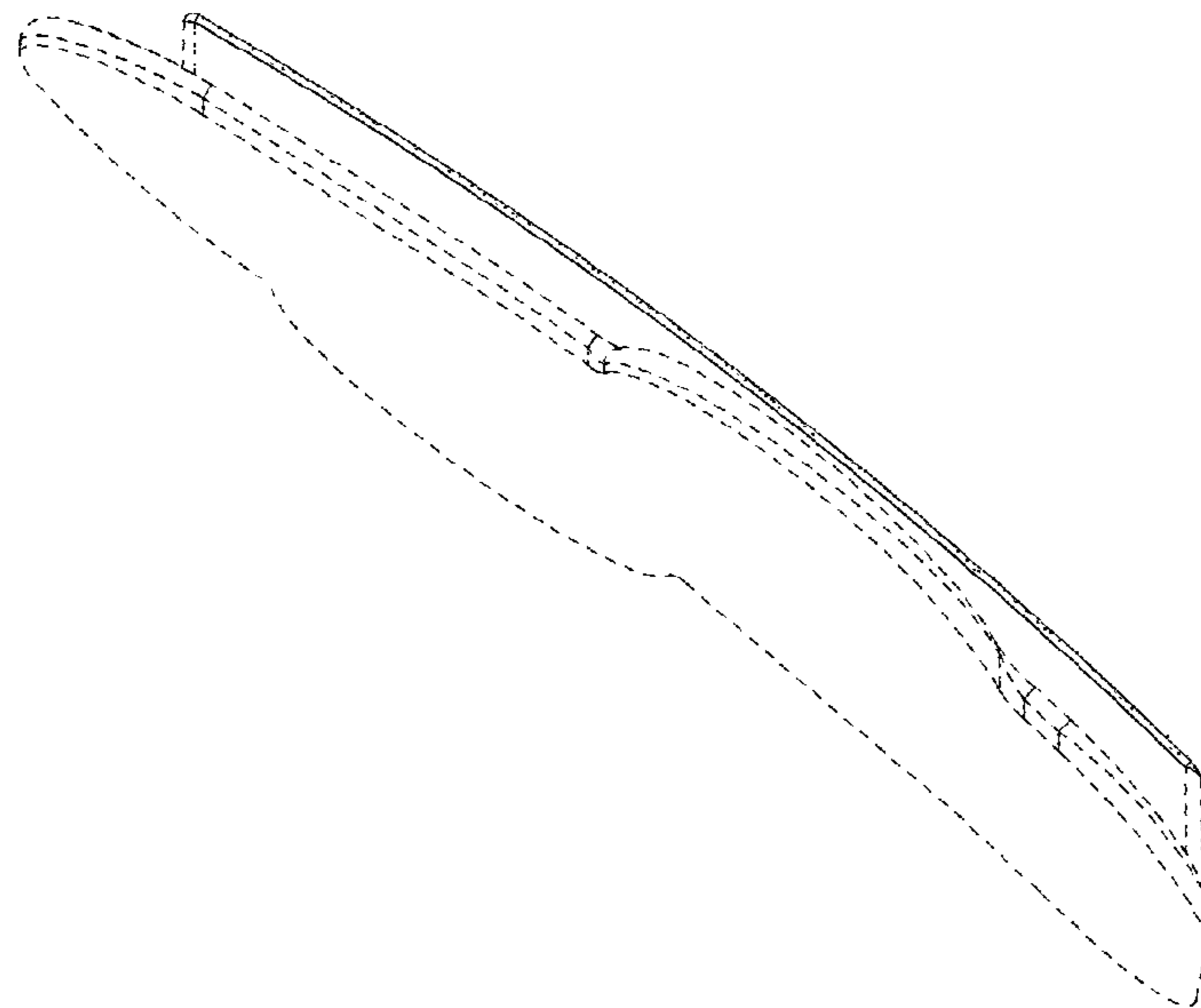


FIG. 4

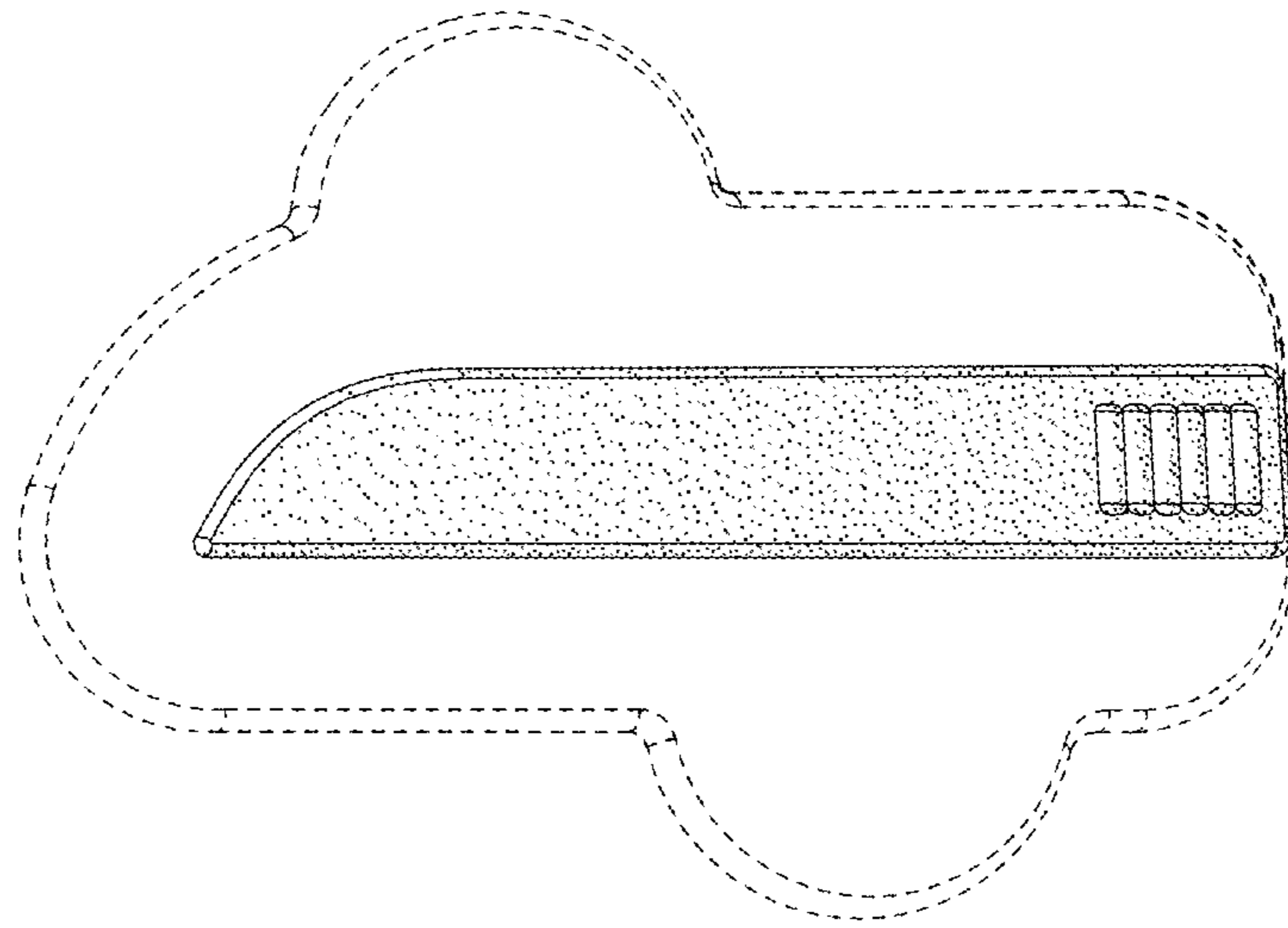


FIG. 5

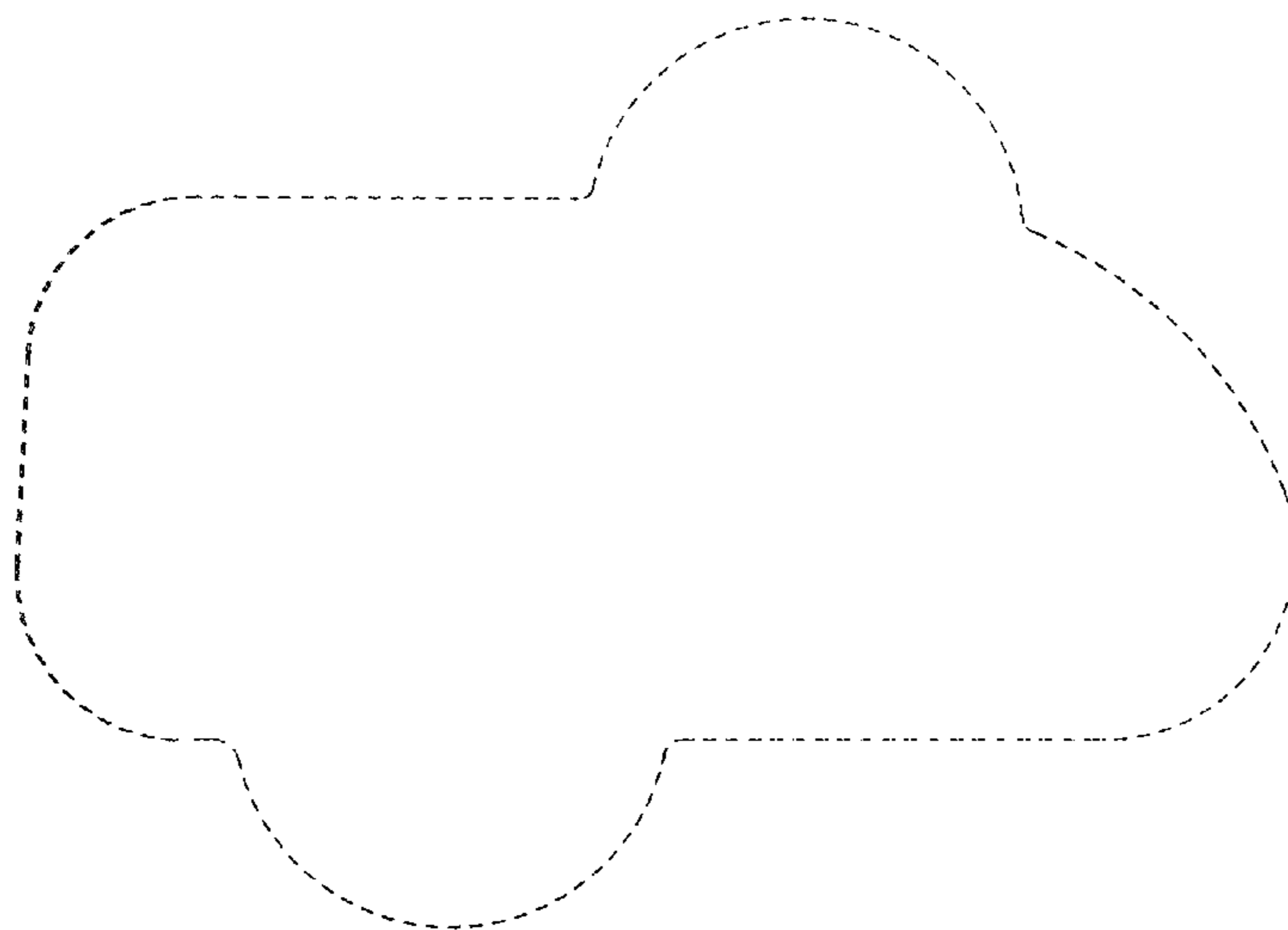


FIG. 6

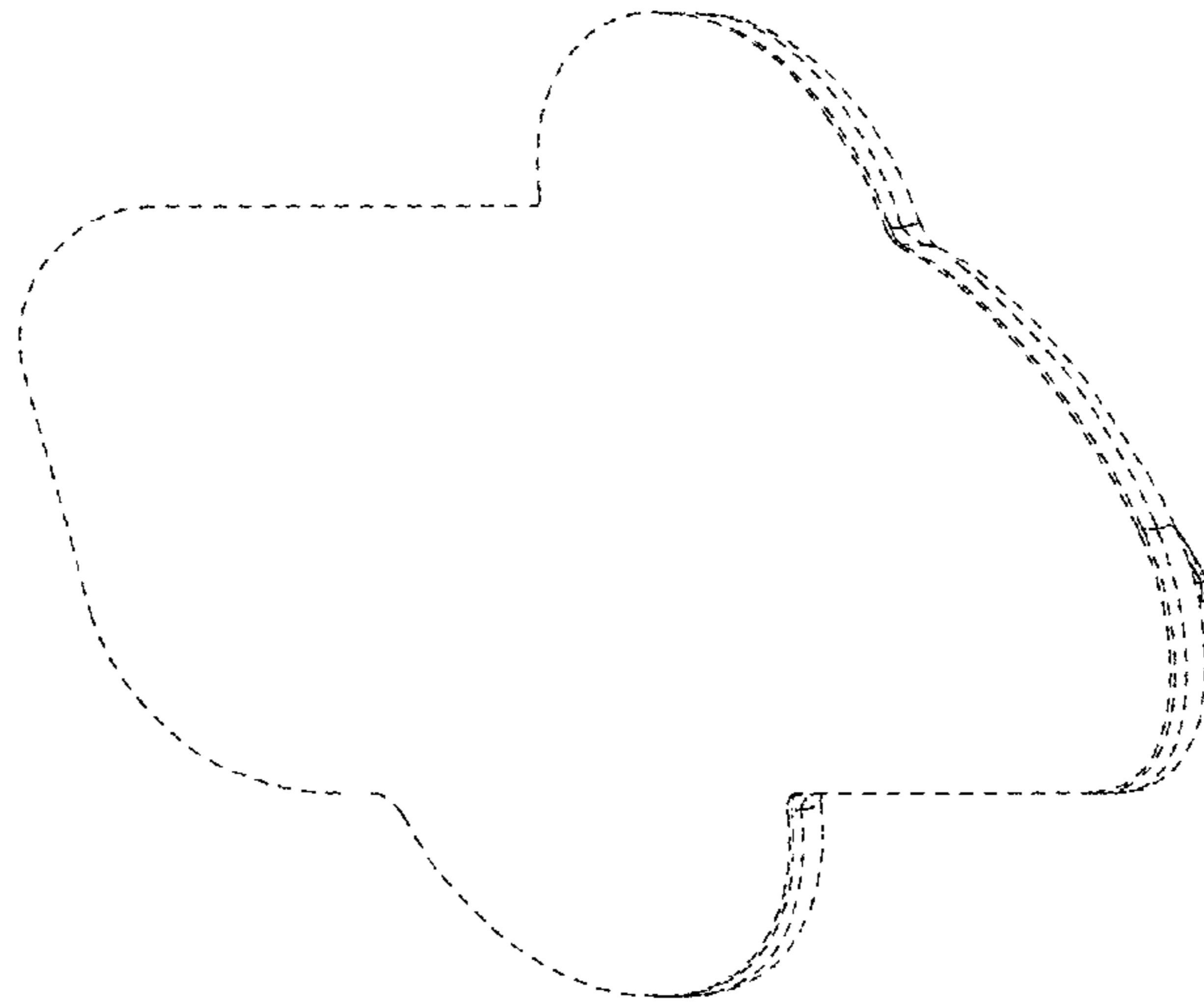


FIG. 7

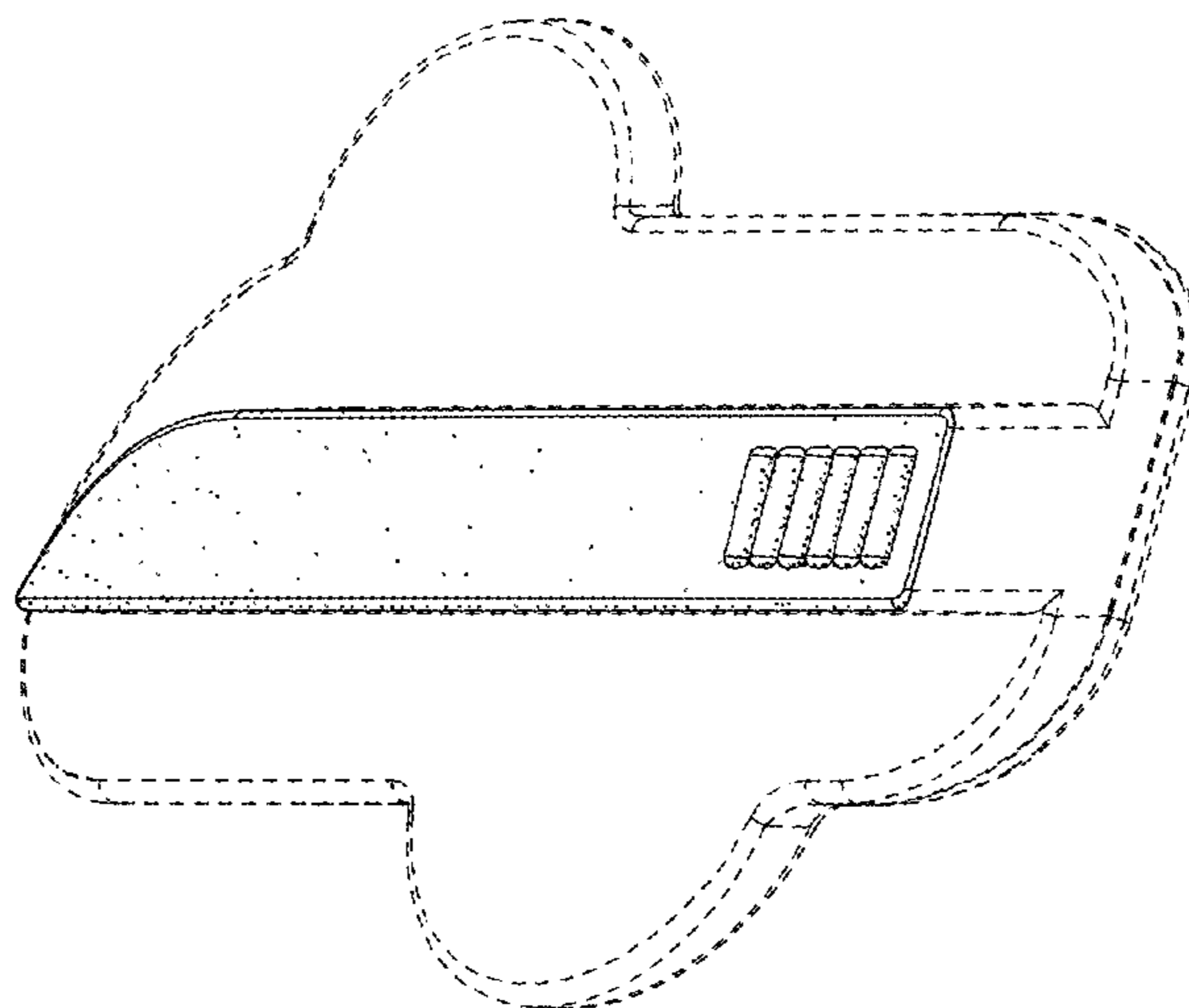


FIG. 8