



US00D762887S

(12) **United States Design Patent**
Hawkins et al.

(10) **Patent No.:** **US D762,887 S**
(45) **Date of Patent:** **** Aug. 2, 2016**

(54) **FLEXIBLE FABRIC LIGHT ARRAY**

Primary Examiner — Brian N Vinson

(71) Applicants: **John D. Hawkins**, Portland, OR (US);
Charles Berteaux, IV, Beaverton, OR (US)

(57) **CLAIM**
We claim the ornamental design for a flexible fabric light array, as shown and described.

(72) Inventors: **John D. Hawkins**, Portland, OR (US);
Charles Berteaux, IV, Beaverton, OR (US)

DESCRIPTION

(**) Term: **14 Years**

FIG. 1 is a top perspective view of a flexible fabric light array showing our new design.

(21) Appl. No.: **29/520,820**

FIG. 2 is a top elevation view of the flexible fabric light array.

(22) Filed: **Mar. 18, 2015**

FIG. 3 is a bottom elevation view of the flexible fabric light array.

(51) **LOC (10) Cl.** **26-03**

FIG. 4 is a right side elevation view of the flexible fabric light array.

(52) **U.S. Cl.**

FIG. 5 is a left side elevation view of the flexible fabric light array.

USPC **D26/24**

FIG. 6 is a front elevation view of the flexible fabric light array.

(58) **Field of Classification Search**

USPC D26/1, 24, 25; D6/603

FIG. 7 is a back elevation view of the flexible fabric light array.

CPC F21S 4/00; F21S 4/002; F21S 4/003;
F21S 4/005; F21S 4/006

FIG. 8 is a top perspective view of the flexible fabric light array rolled up in storage configuration.

See application file for complete search history.

FIG. 9 is a top elevation view of the flexible fabric light array rolled up in storage configuration.

(56) **References Cited**

U.S. PATENT DOCUMENTS

D614,780 S *	4/2010	Huang	D26/1
D668,808 S	10/2012	Hoover et al.		
D736,963 S *	8/2015	Palfreyman	D26/1
9,115,858 B2 *	8/2015	Levante	F21S 4/005
D745,791 S *	12/2015	Corley	D6/603

FIG. 10 is a bottom elevation view of the flexible fabric light array rolled up in storage configuration.

OTHER PUBLICATIONS

Striker, Flexit Light, Product Information available at <https://www.striker1.com/flexit.html>.

FIG. 11 is a front elevation view of the flexible fabric light array rolled up in storage configuration.

Raglite Technologies, LLC, Raglite, Product information available at <http://www.theraglite.com/>.

FIG. 12 is a back elevation view of a flexible fabric light array rolled up in storage configuration.

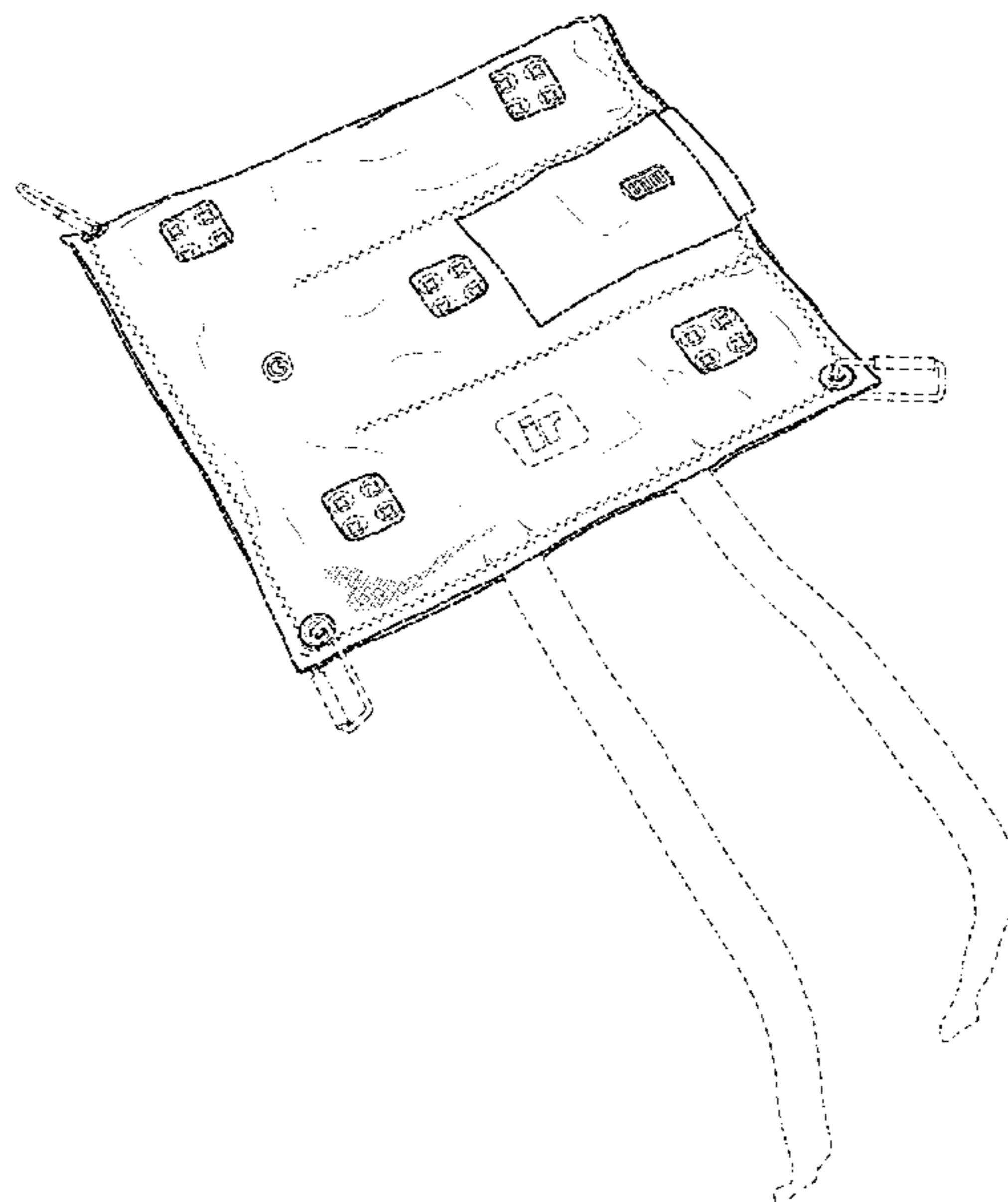
FIG. 13 is a right side elevation view of a flexible fabric light array rolled up in storage configuration; and,

FIG. 14 is a left side elevation view of a flexible fabric light array rolled up in storage configuration.

The claimed ornamental design is shown in solid lines. Any dashed lines in the drawings are for illustrative purposes only and form no part of the claimed design.

* cited by examiner

1 Claim, 8 Drawing Sheets



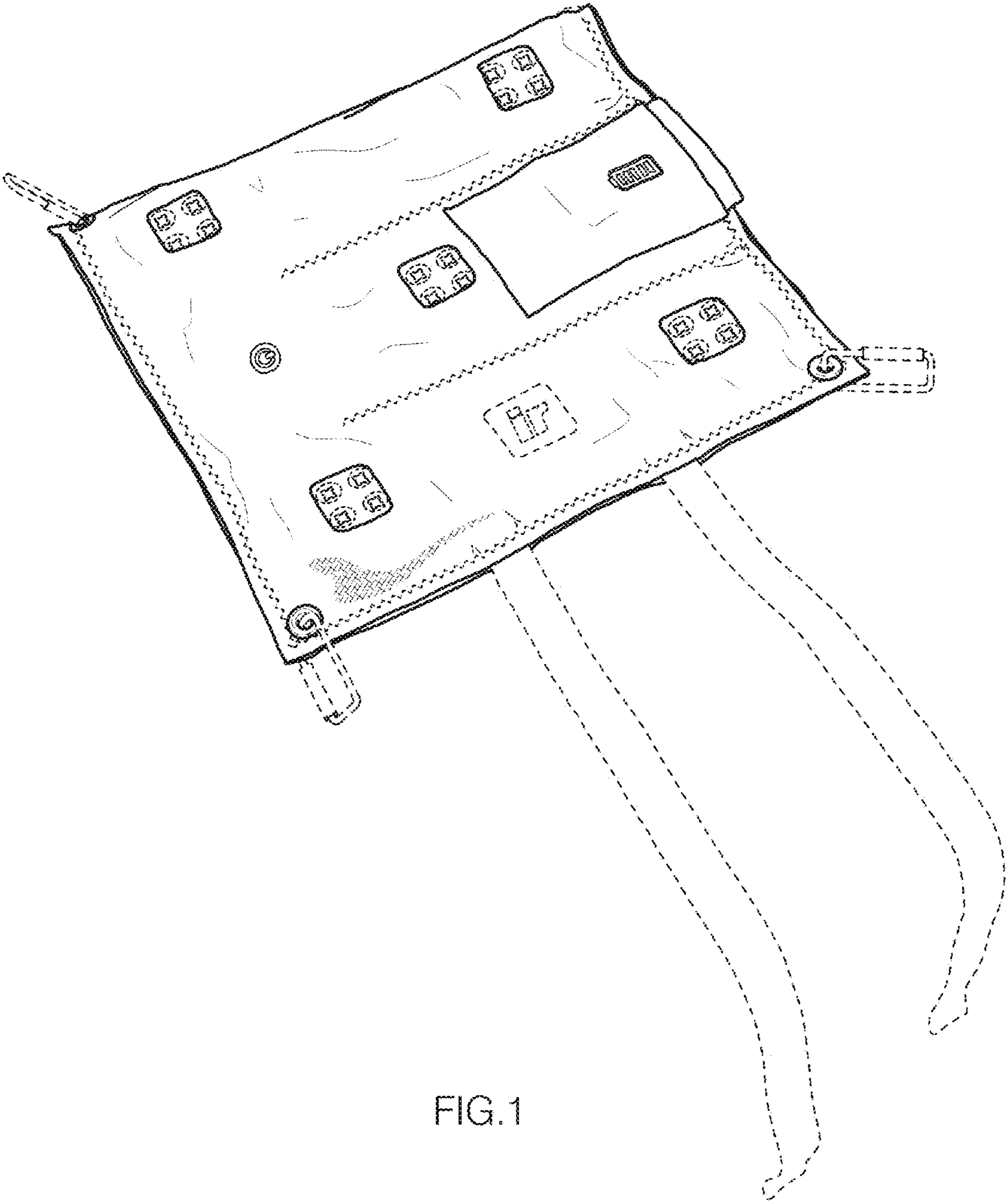


FIG.1

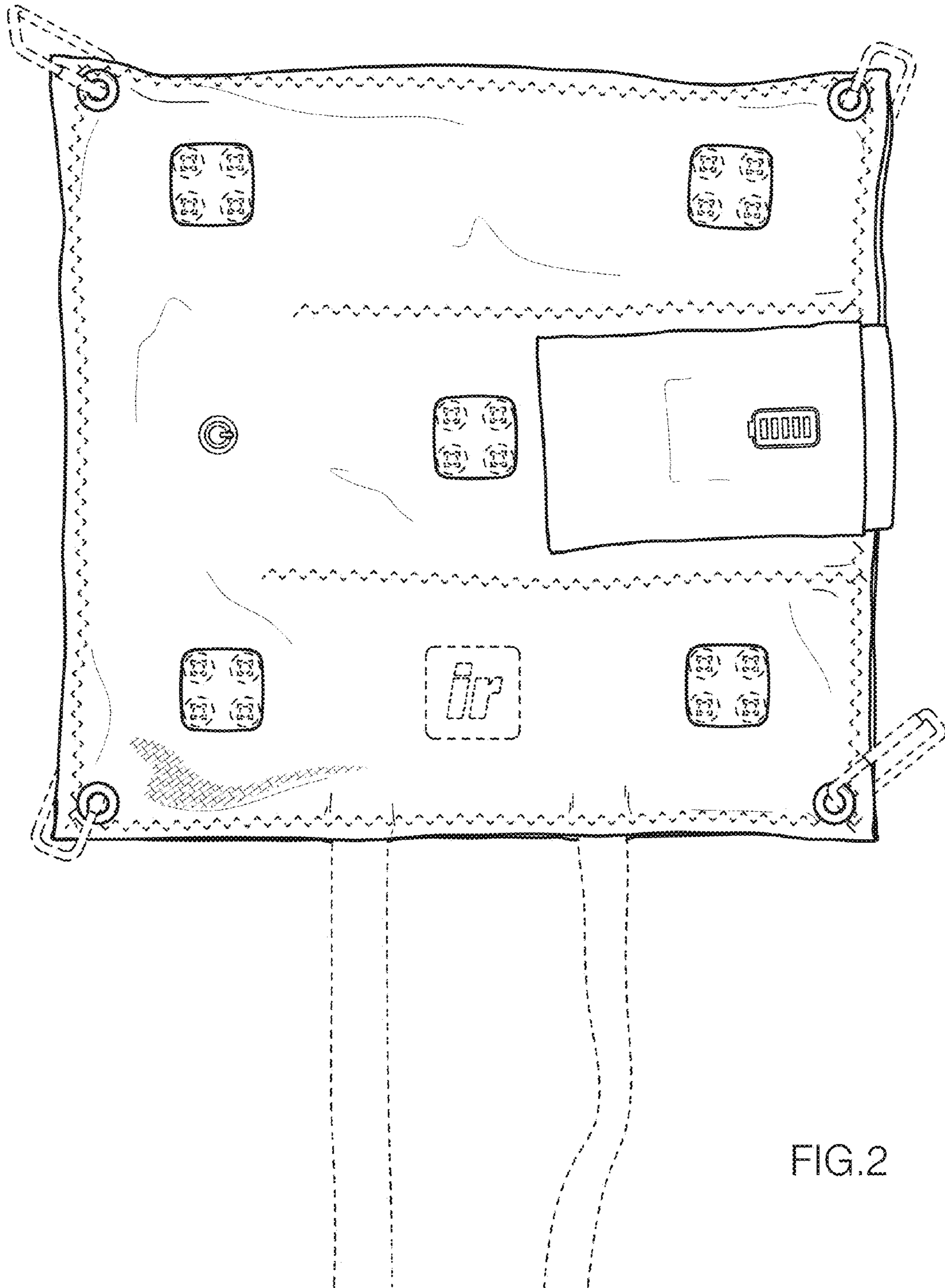




FIG.3

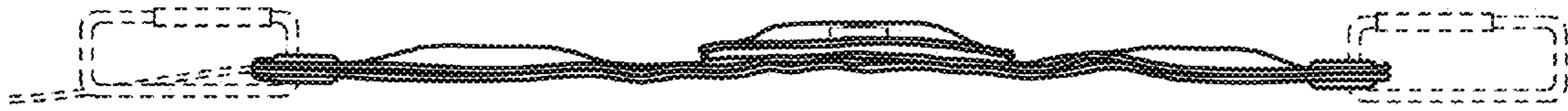


FIG. 4



FIG. 5

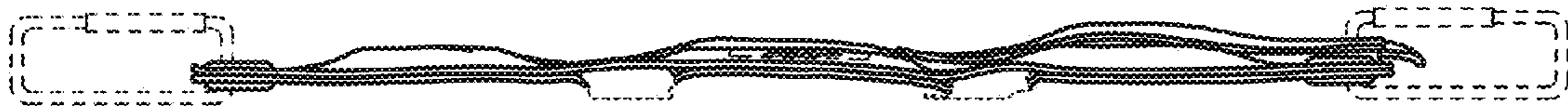


FIG. 6

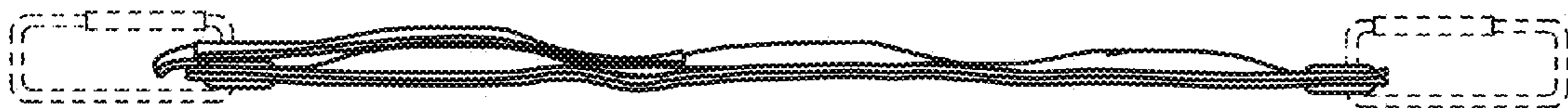


FIG. 7

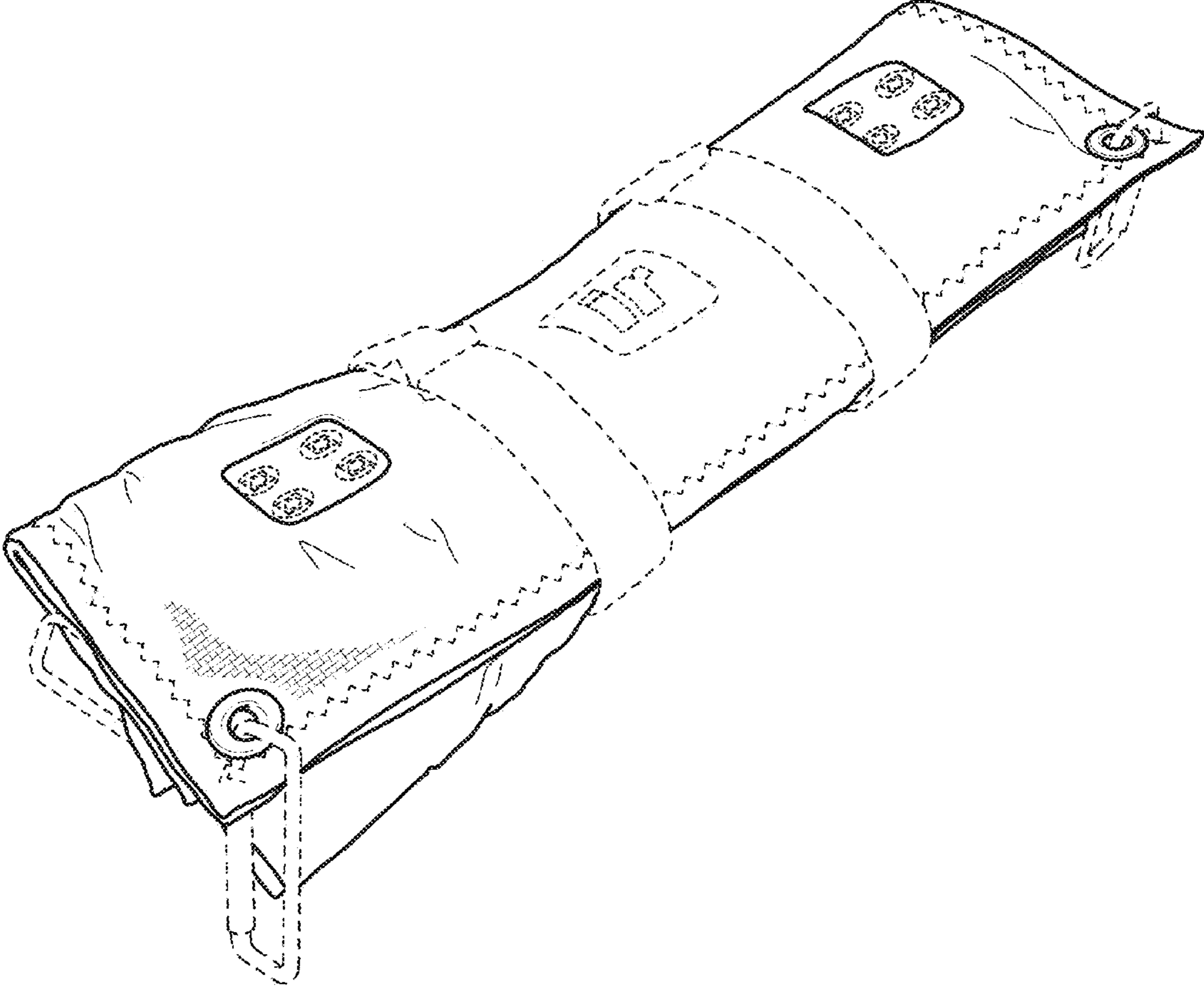


FIG.8

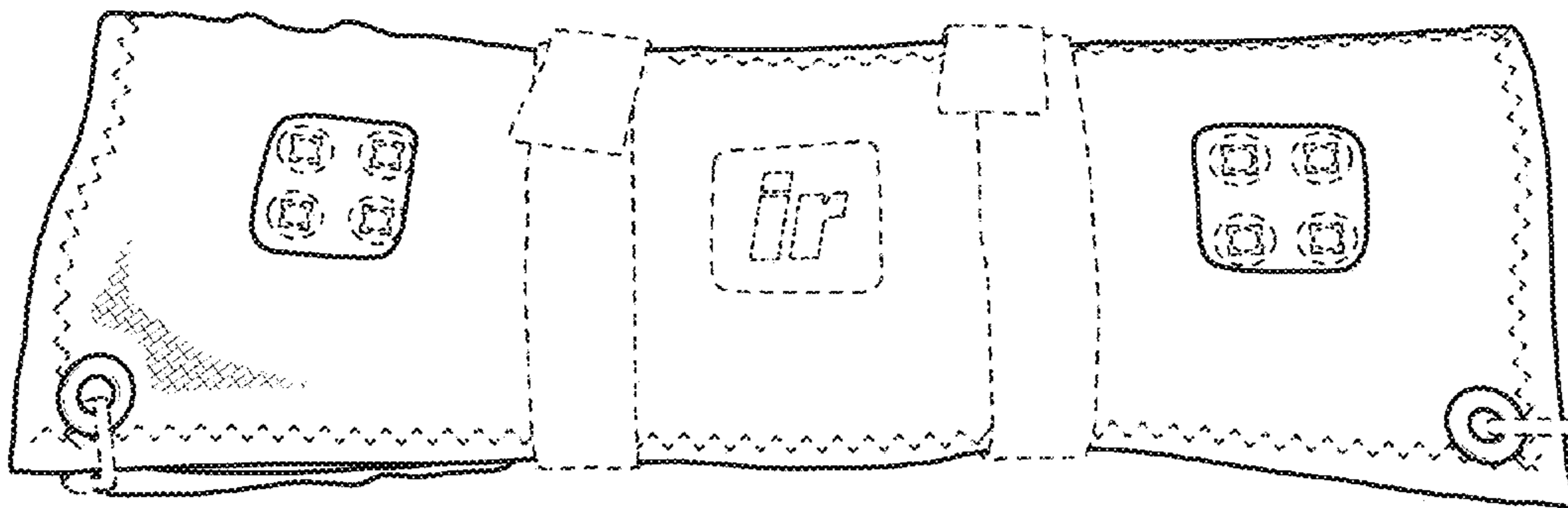


FIG. 9

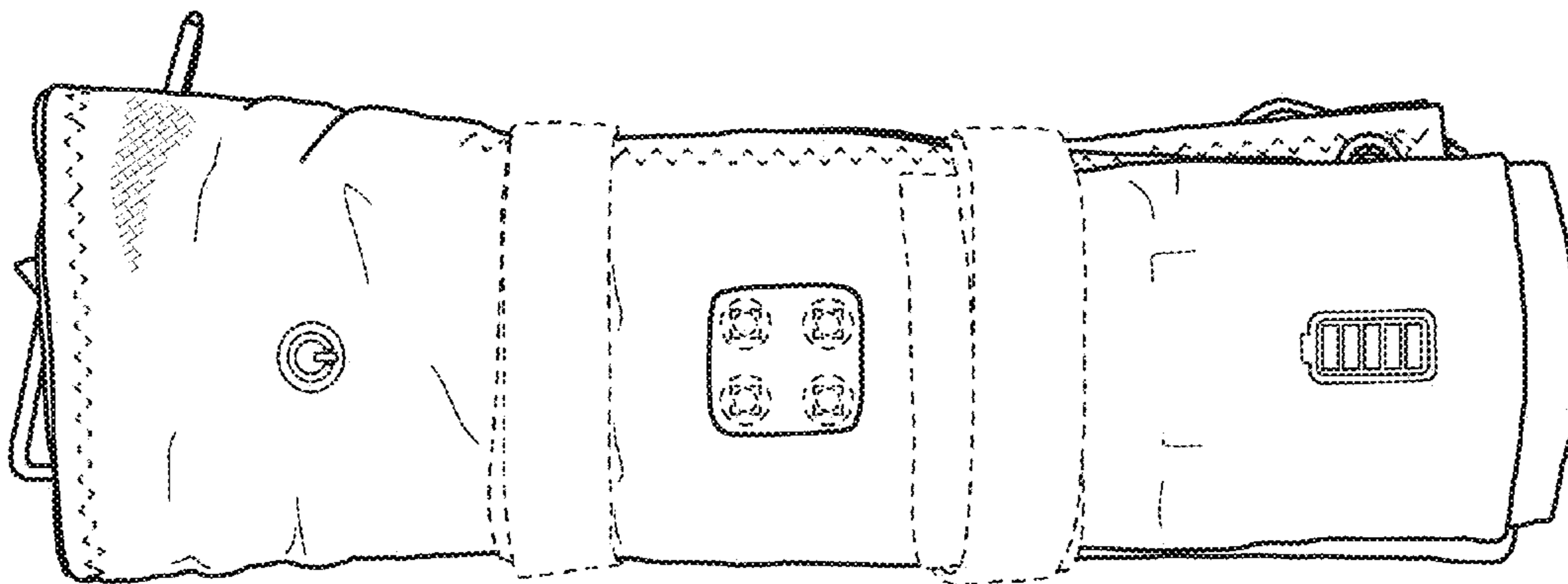


FIG. 10

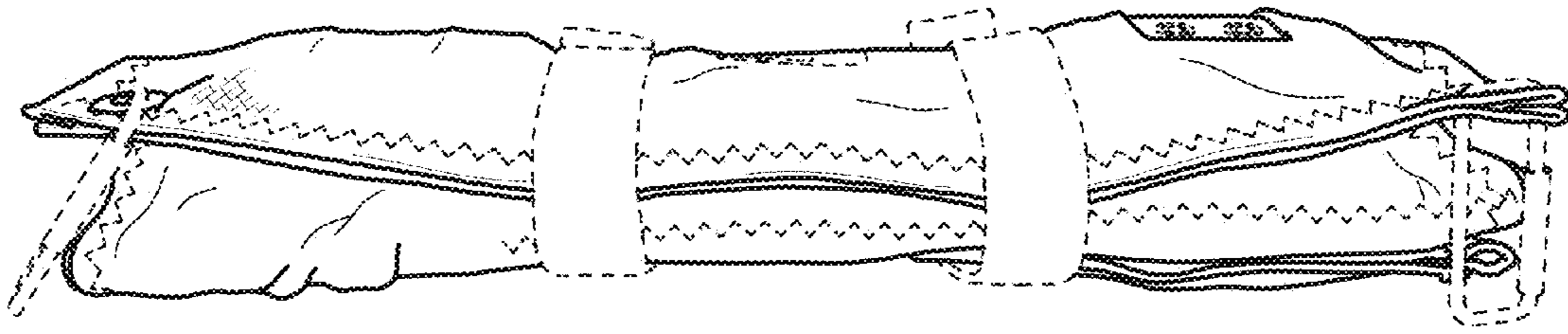


FIG. 11

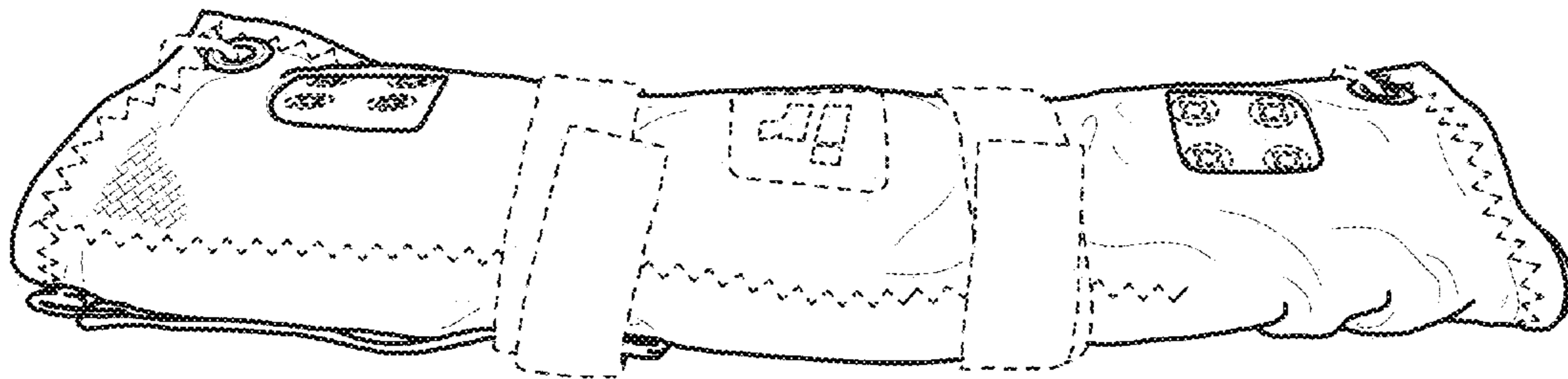


FIG. 12

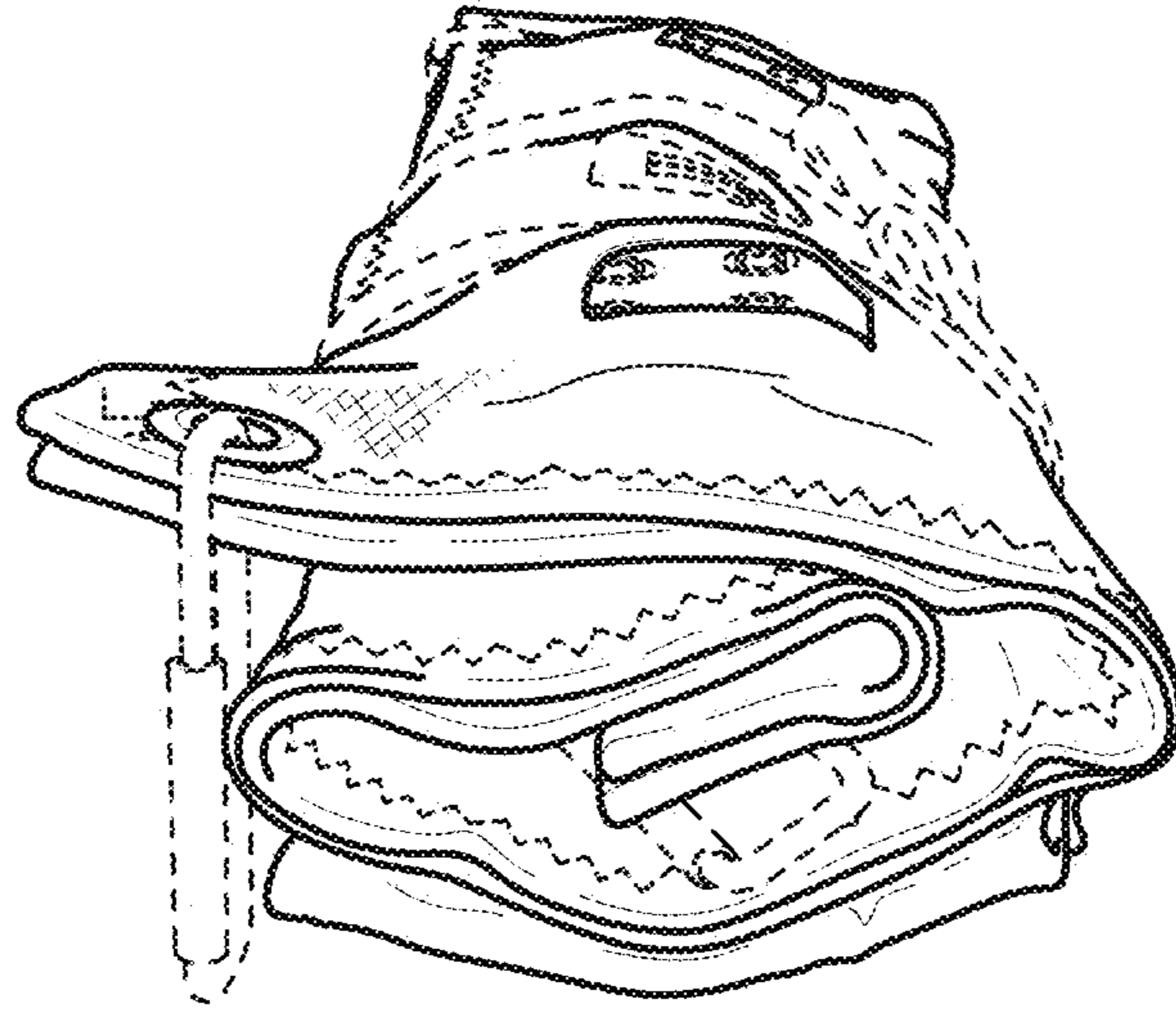


FIG. 13

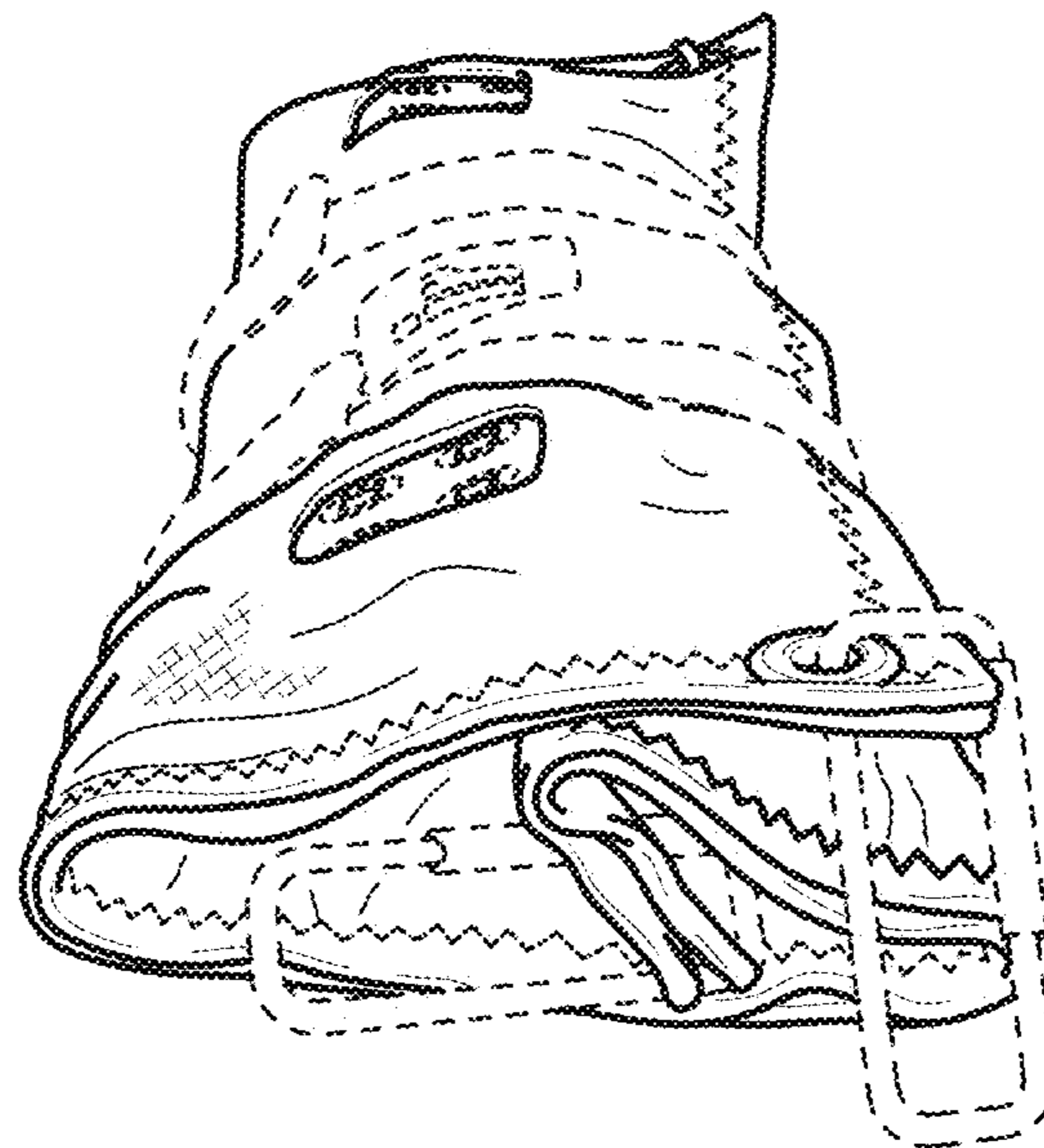


FIG. 14