

US00D762886S

(12) **United States Design Patent**
Zhang et al.

(10) **Patent No.:** **US D762,886 S**

(45) **Date of Patent:** **** Aug. 2, 2016**

(54) **LIGHT BULB**

(56) **References Cited**

(71) Applicant: **NINGBO YUSING OPTOELECTRONIC TECHNOLOGY CO., LTD.**, Ningbo, Zhejiang (CN)

U.S. PATENT DOCUMENTS

D531,741 S *	11/2006	Takahashi	D26/2
D538,950 S *	3/2007	Maxik	D26/2
D538,953 S *	3/2007	Mama	D26/2
D549,360 S *	8/2007	An	D26/2
D662,625 S *	6/2012	Yamamoto	D26/2
D673,699 S *	1/2013	Yao	D26/2

(72) Inventors: **Liang Zhang**, Ningbo (CN); **Xiaoyu Cai**, Ningbo (CN)

* cited by examiner

(73) Assignee: **NINGBO YUSING OPTOELECTRONIC TECHNOLOGY CO., LTD.**, Ningbo (CN)

Primary Examiner — Marcus Jackson

(**) Term: **15 Years**

(57) **CLAIM**

The ornamental design for a light bulb, as shown and described.

(21) Appl. No.: **29/532,930**

(22) Filed: **Jul. 12, 2015**

DESCRIPTION

(30) **Foreign Application Priority Data**

Mar. 9, 2015 (CN) 2015 3 0055992

(51) **LOC (10) Cl.** **26-04**

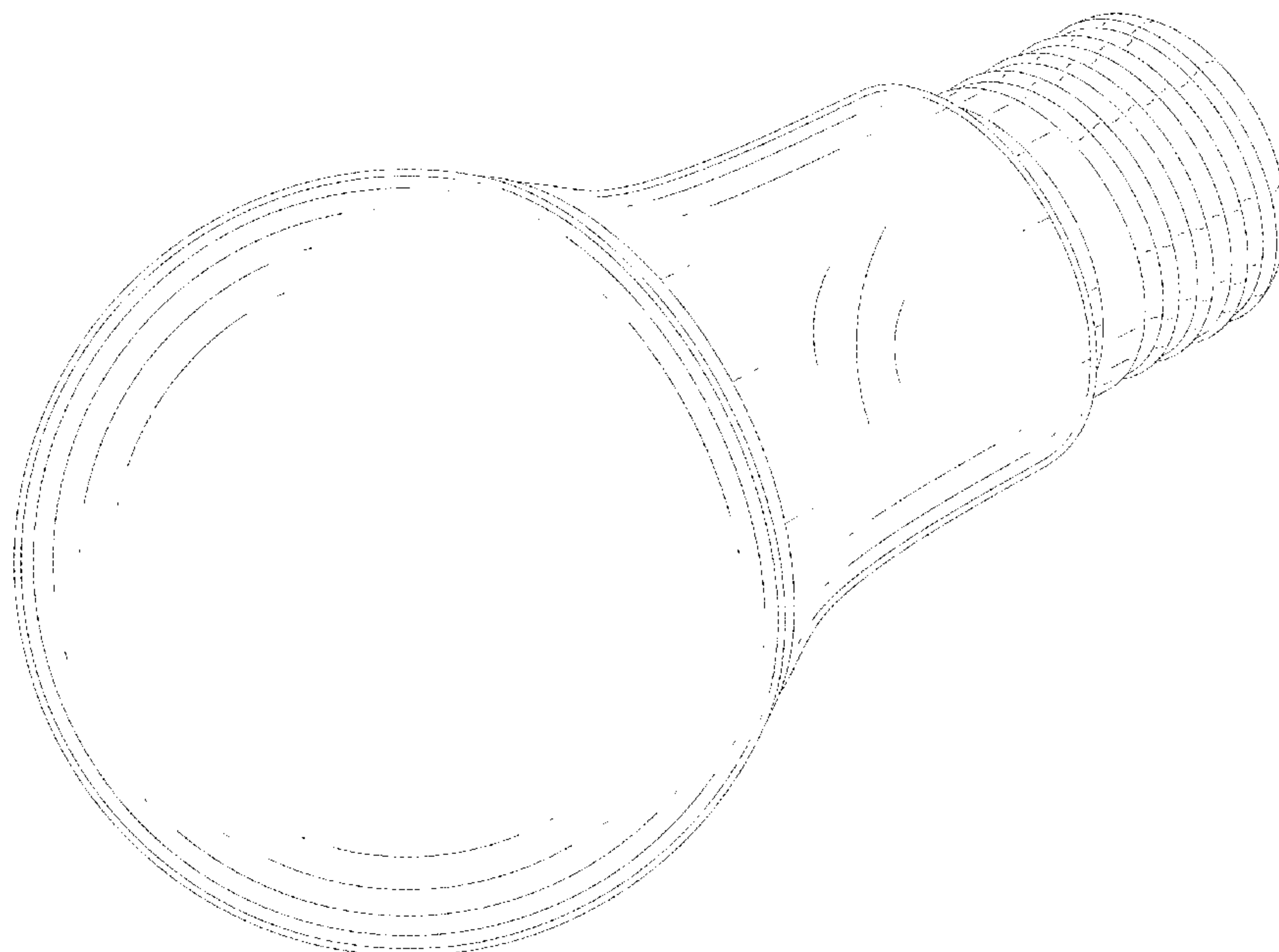
(52) **U.S. Cl.**
USPC **D26/2**

(58) **Field of Classification Search**
USPC D26/1-4; 313/313, 315, 316, 317, 318, 313/493; 315/52, 53, 56, 57, 58
CPC F21V 5/00; F21K 9/13; F21K 9/135; F21K 9/1375; H01J 5/48; H01J 5/50; H01J 19/54

FIG. 1 is a front elevational view of a light bulb showing our new design;
FIG. 2 is a rear elevational view thereof;
FIG. 3 is a left side view thereof;
FIG. 4 is a right side view thereof;
FIG. 5 is a top plan view thereof;
FIG. 6 is a bottom plan view thereof;
FIG. 7 is a first perspective view thereof;
FIG. 8 is a second perspective view thereof;
FIG. 9 is a third perspective view thereof; and,
FIG. 10 is a fourth perspective view thereof.

See application file for complete search history.

1 Claim, 10 Drawing Sheets



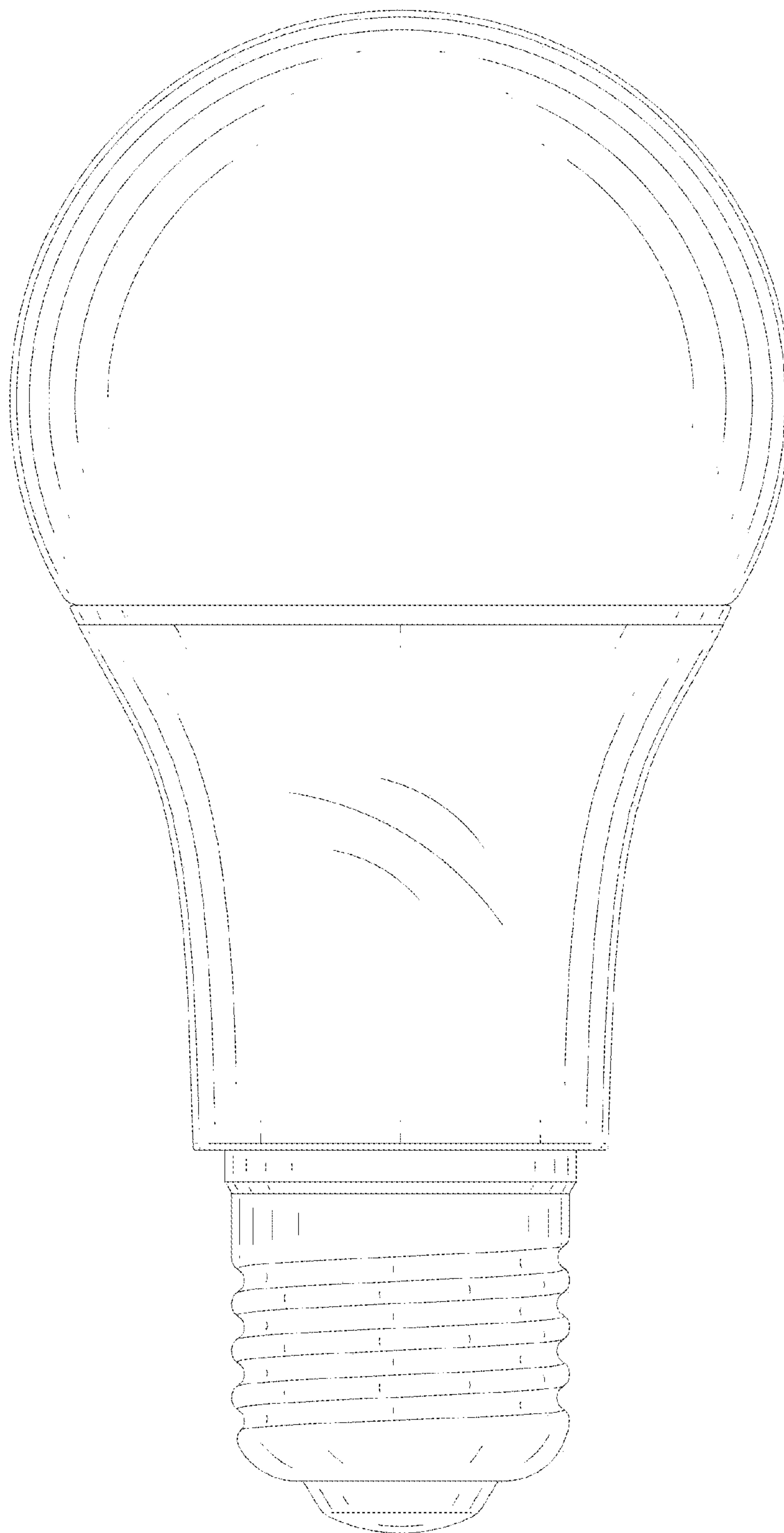


FIG. 1

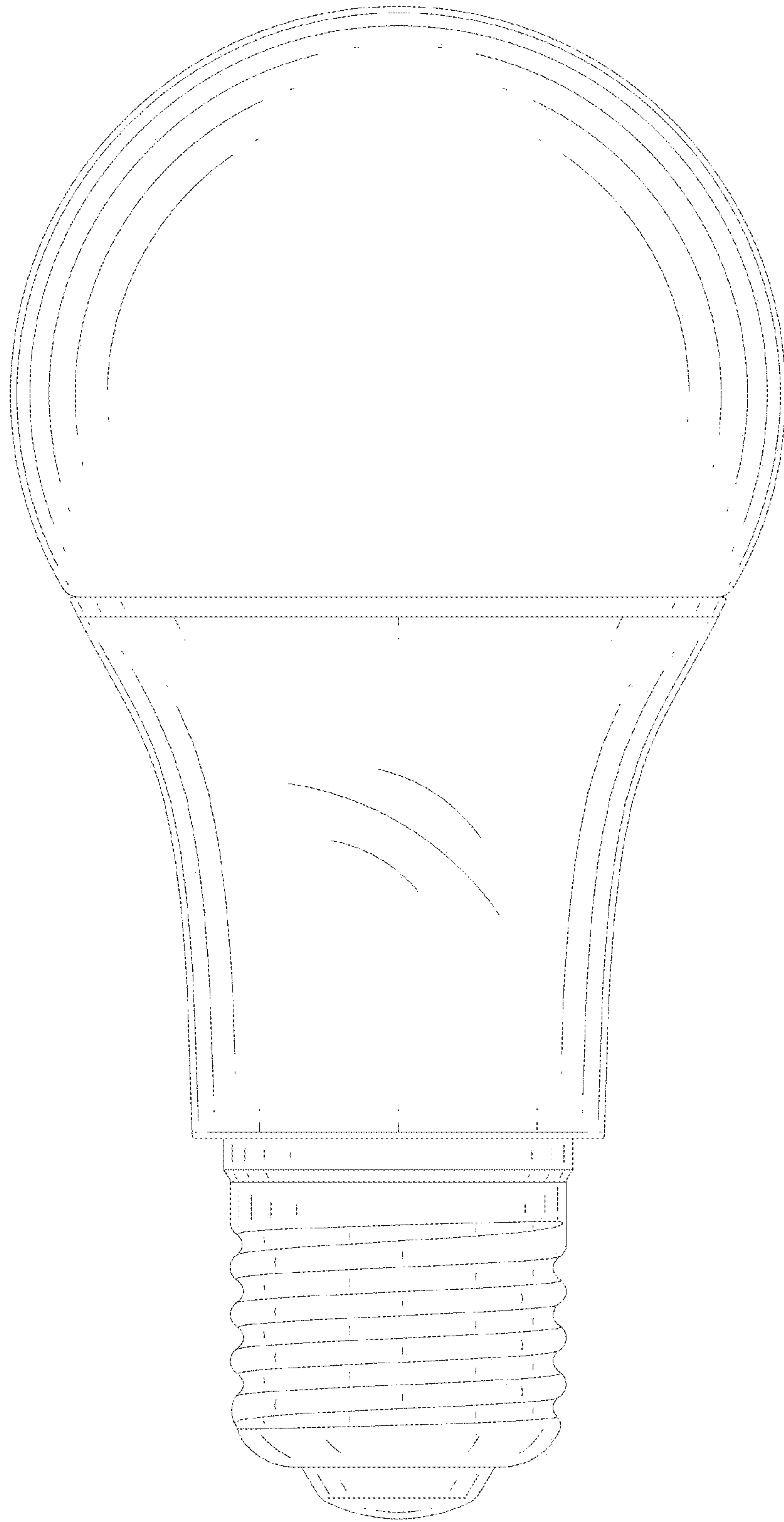


FIG.2

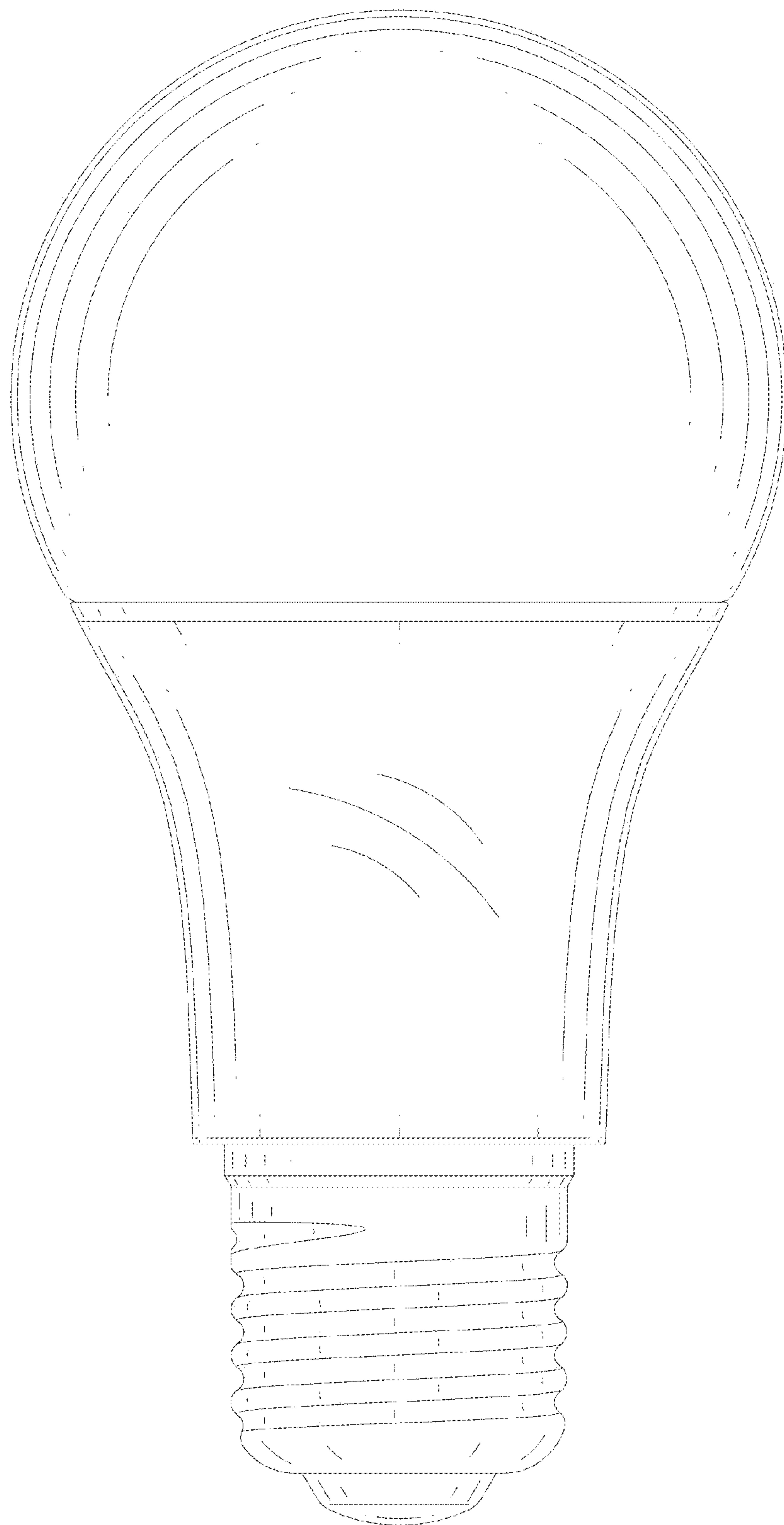


FIG.3

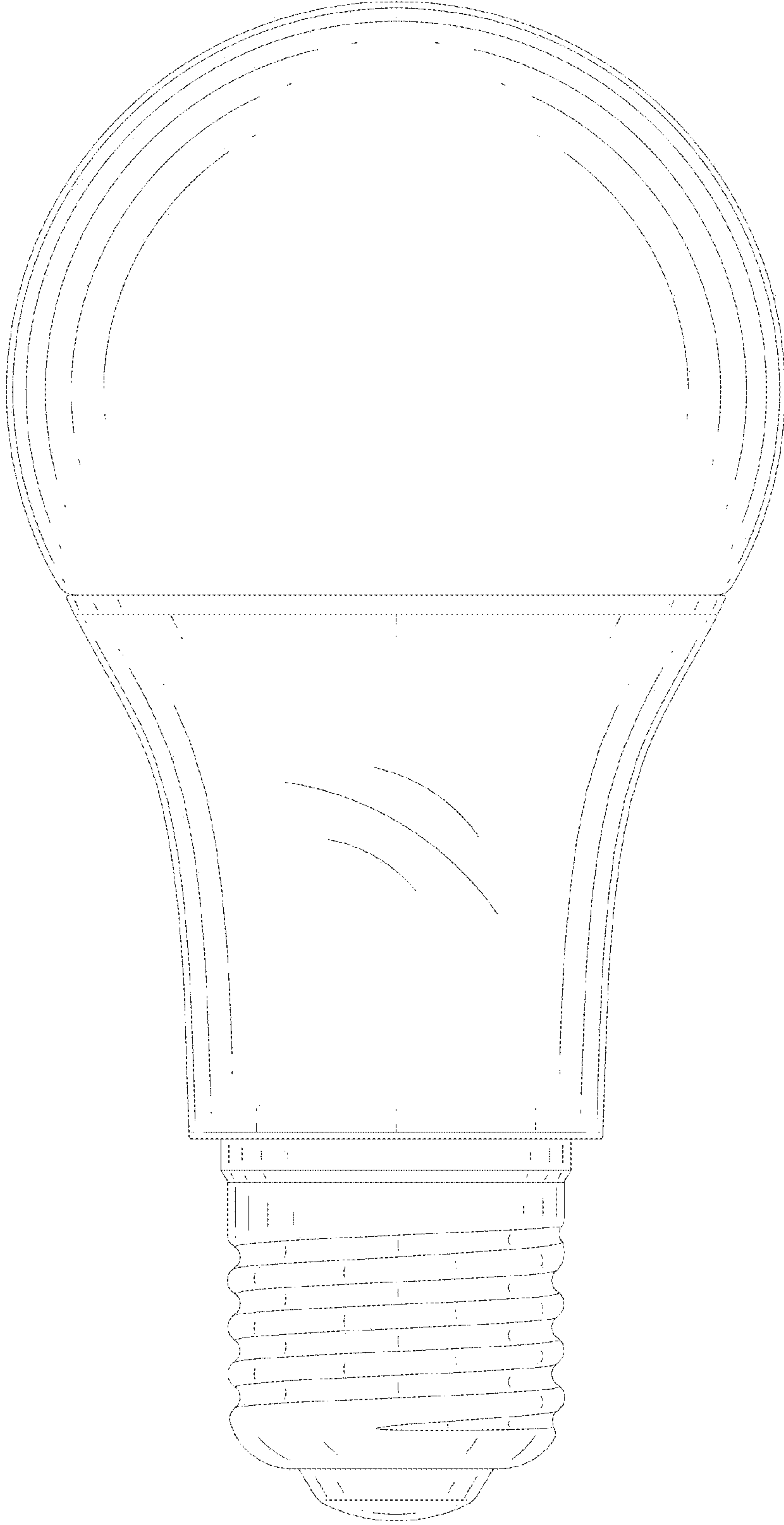


FIG.4

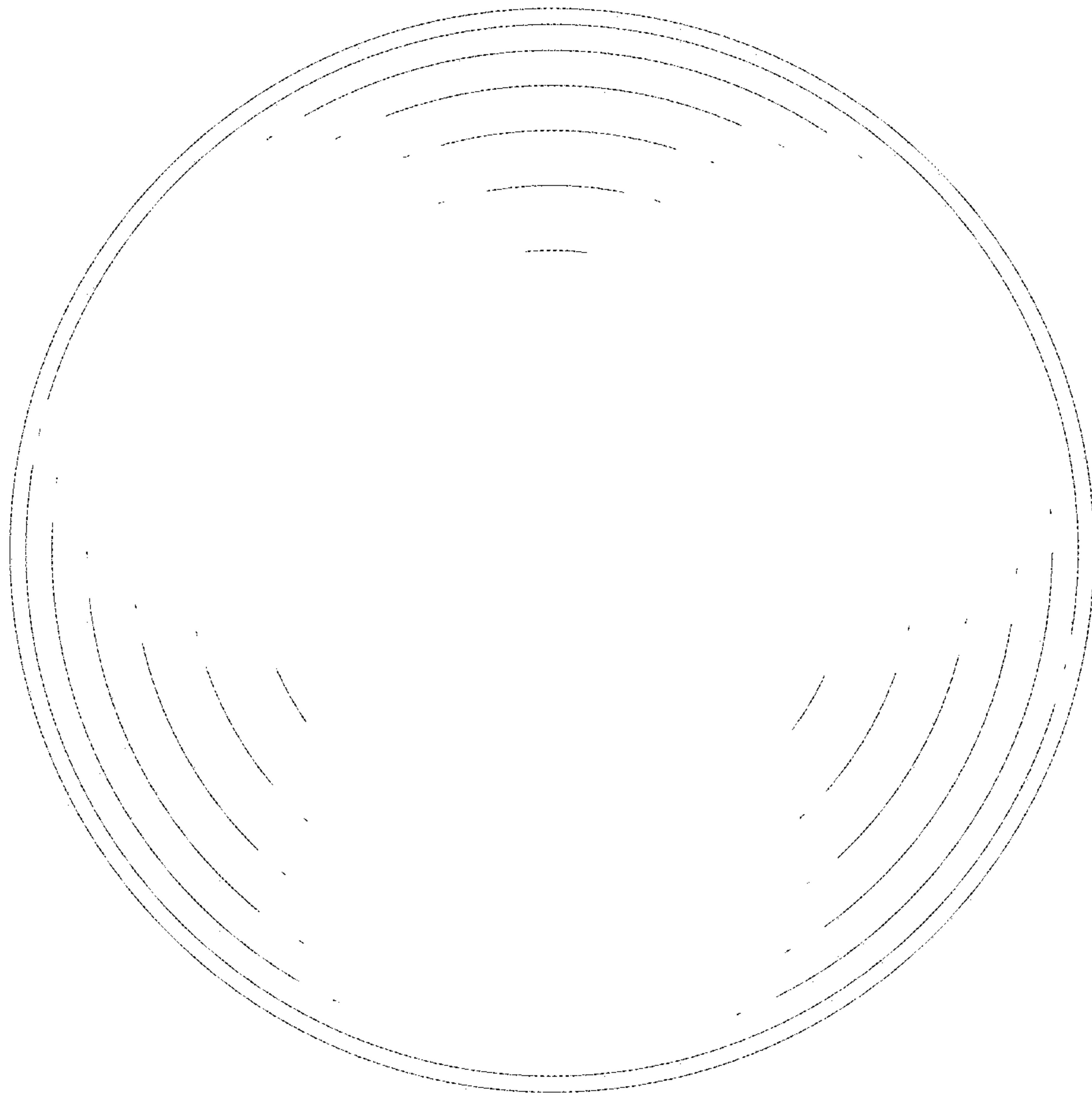


FIG.5

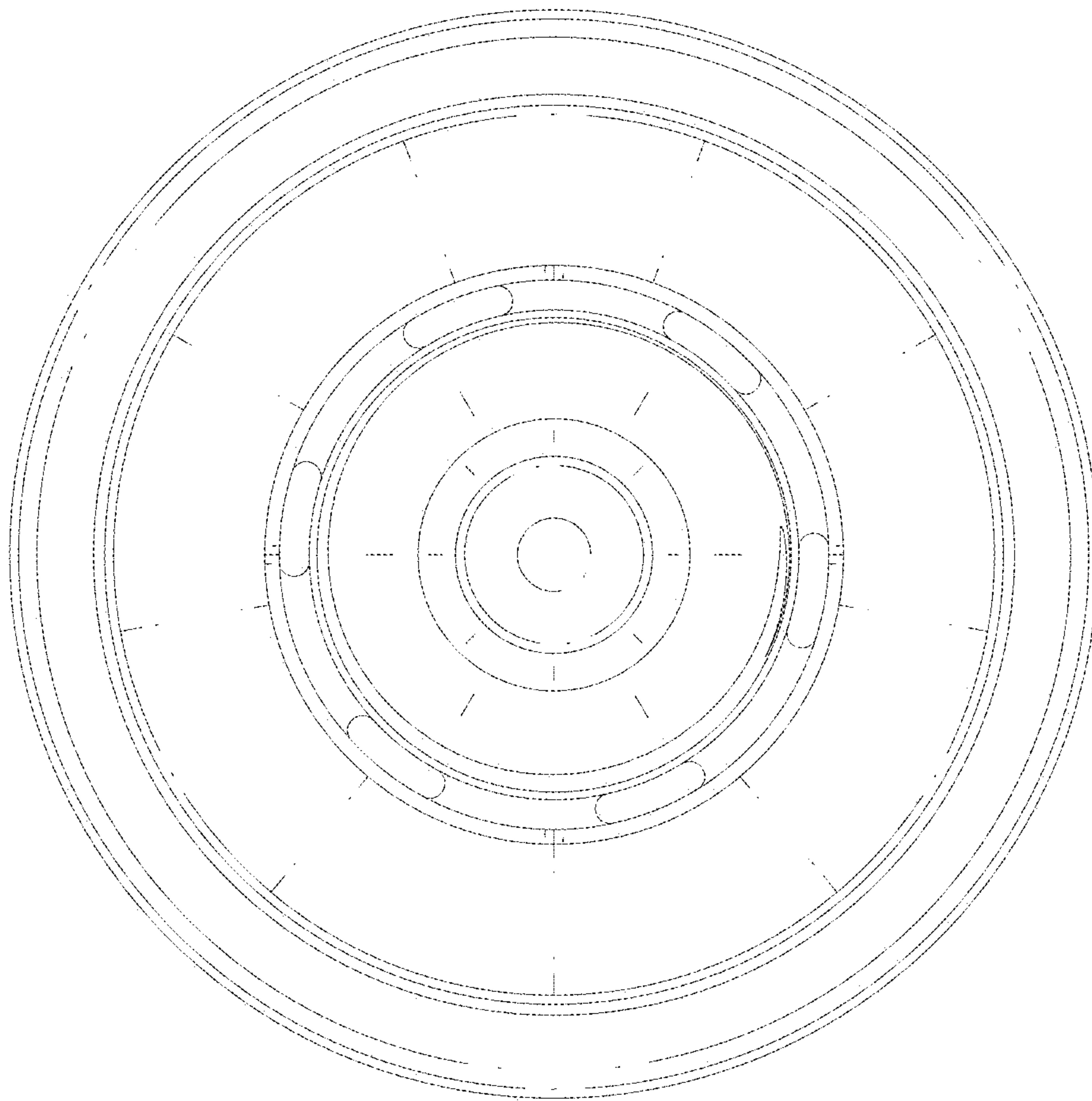


FIG.6

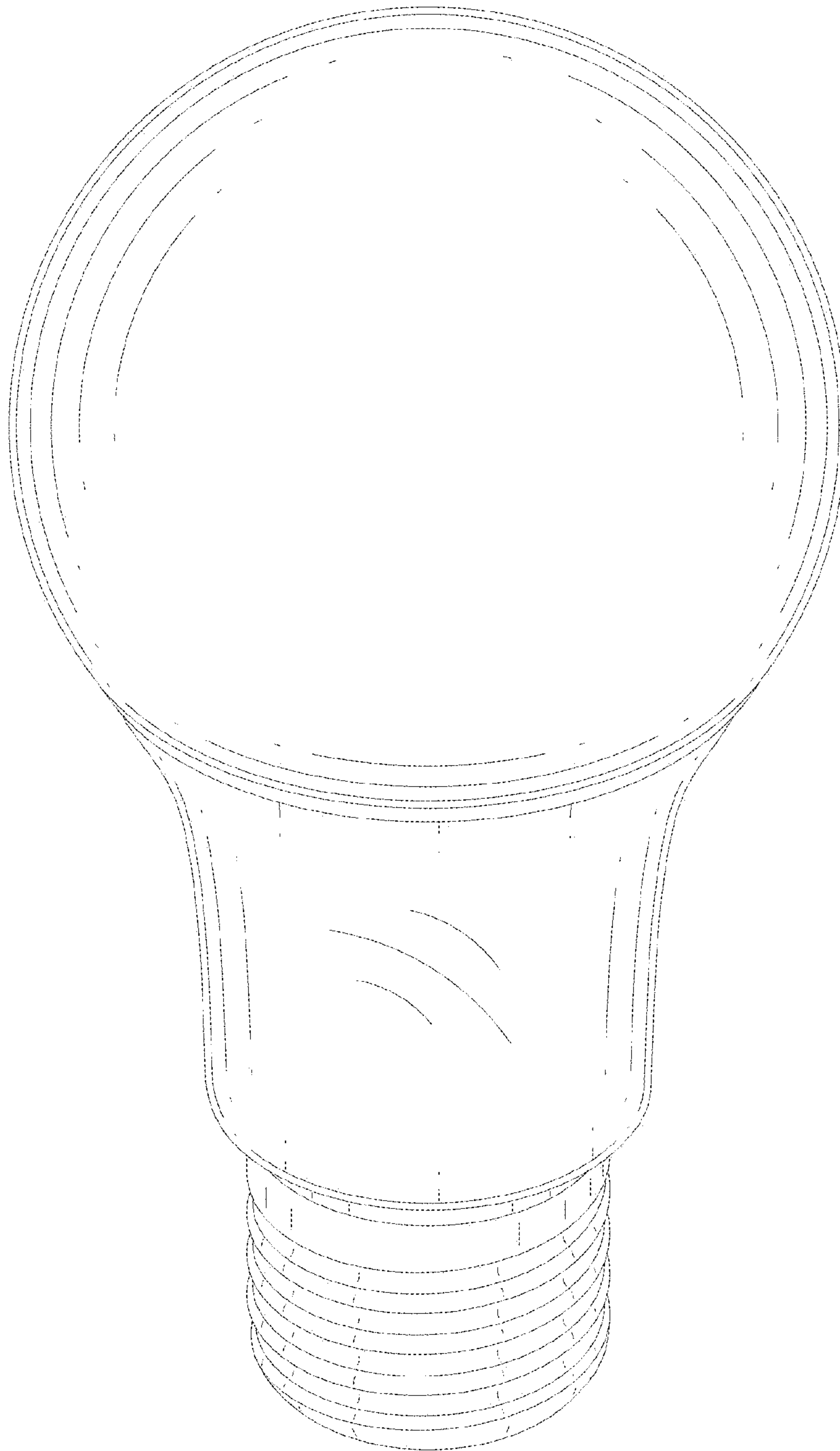


FIG. 7

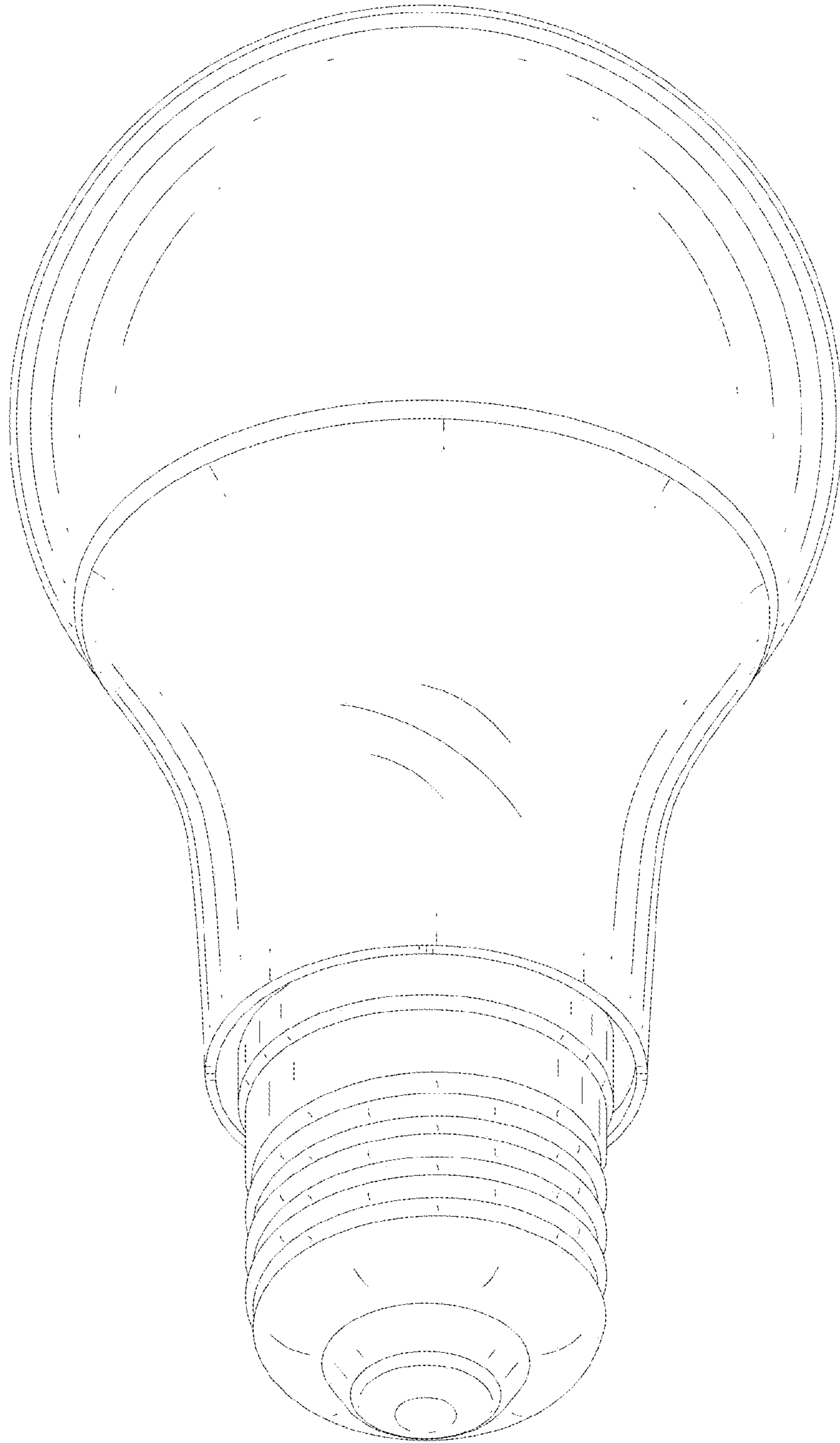


FIG.8

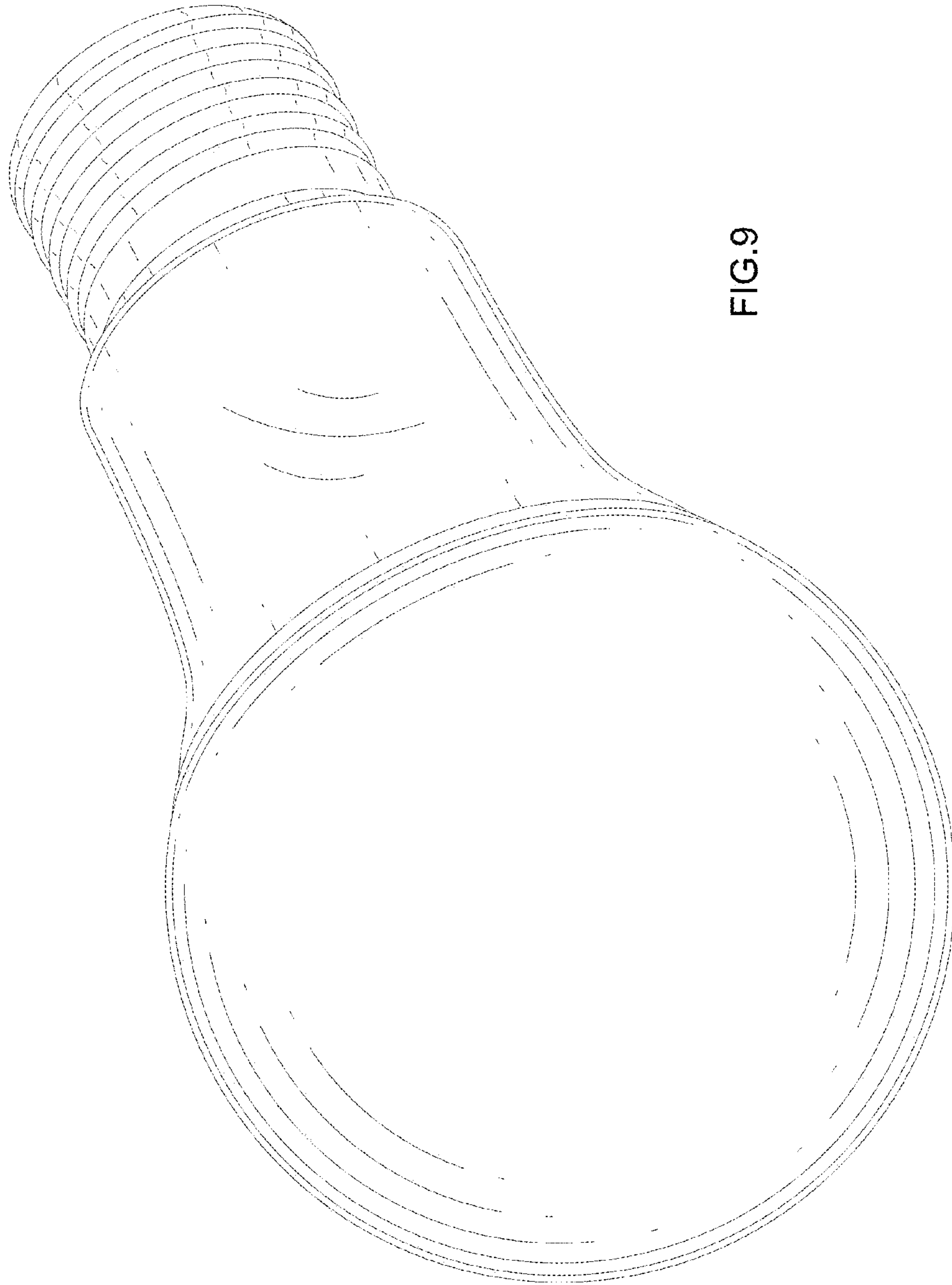


FIG.9

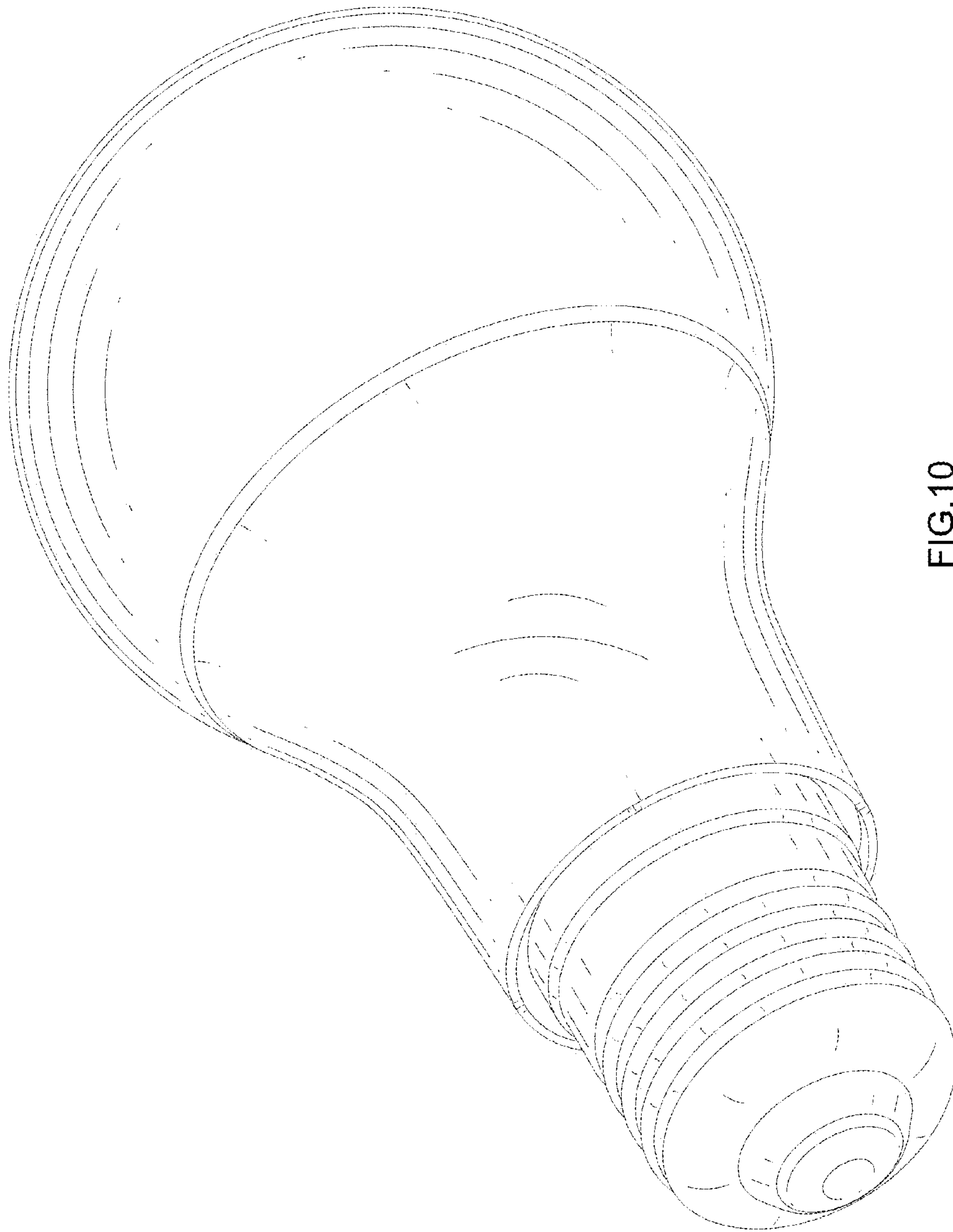


FIG.10