

US00D762885S

(12) **United States Design Patent**
Chan

(10) **Patent No.:** **US D762,885 S**

(45) **Date of Patent:** **** Aug. 2, 2016**

(54) **PORTION OF A LED BULB**

(71) Applicants: **Kinpo Electronics, Inc.**, New Taipei (TW); **Cal-Comp Electronics & Communications Company Limited**, New Taipei (TW)

(72) Inventor: **Ta-Hsin Chan**, New Taipei (TW)

(73) Assignees: **Kinpo Electronics, Inc.**, New Taipei (TW); **Cal-Comp Electronics & Communications Company Limited**, New Taipei (TW)

(**) Term: **15 Years**

(21) Appl. No.: **29/528,295**

(22) Filed: **May 27, 2015**

(30) **Foreign Application Priority Data**

May 14, 2015 (TW) 104302553

(51) **LOC (10) Cl.** **26-04**

(52) **U.S. Cl.**
USPC **D26/2**

(58) **Field of Classification Search**

USPC D26/1-4; 313/313, 315, 316, 317, 318, 313/493; 315/52, 53, 56, 57, 58
CPC H01J 5/48; H01J 5/50; H01J 19/54; F21V 21/04; F21K 9/13; F21K 9/135; F21K 9/1375

See application file for complete search history.

(56) **References Cited**

U.S. PATENT DOCUMENTS

D579,130 S *	10/2008	Hernandez, Jr.	D26/2
D600,368 S *	9/2009	Bertram	D26/2
D610,272 S *	2/2010	Guo	D26/2
D669,611 S *	10/2012	Yamamoto	D26/2

* cited by examiner

Primary Examiner — Marcus Jackson

(74) *Attorney, Agent, or Firm* — Jianq Chyun IP Office

(57) **CLAIM**

The ornamental design for a portion of a LED bulb, as shown and described.

DESCRIPTION

FIG. 1 is a perspective view of a portion of a LED bulb showing my new design;

FIG. 2 is another perspective view thereof;

FIG. 3 is a front view thereof;

FIG. 4 is a rear view thereof;

FIG. 5 is a left side view thereof;

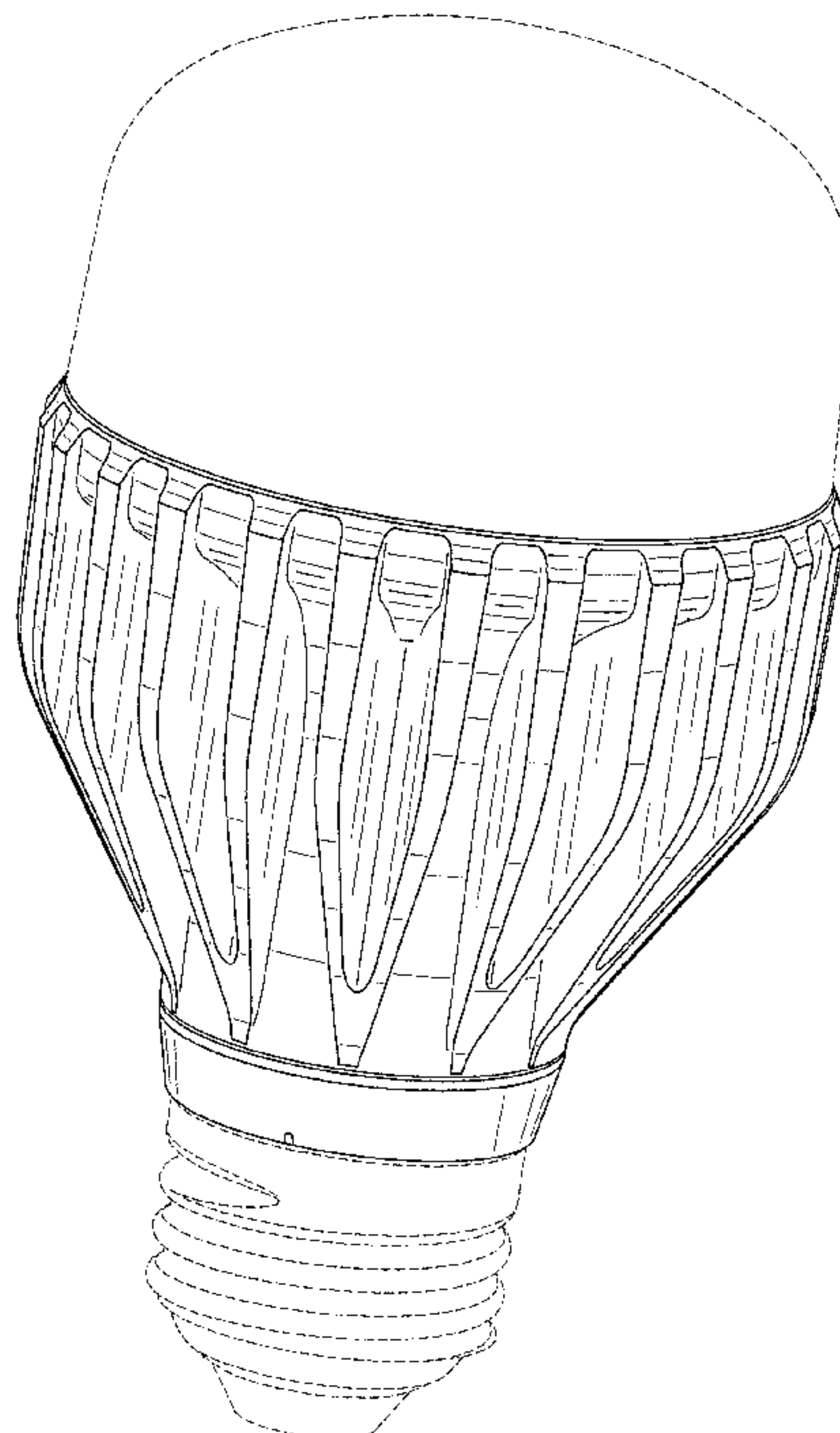
FIG. 6 is a right side view thereof;

FIG. 7 is a top view thereof; and,

FIG. 8 is a bottom view thereof.

The broken lines showing in the views are for the purpose of illustrating environmental structure and form no part of the claimed design.

1 Claim, 8 Drawing Sheets



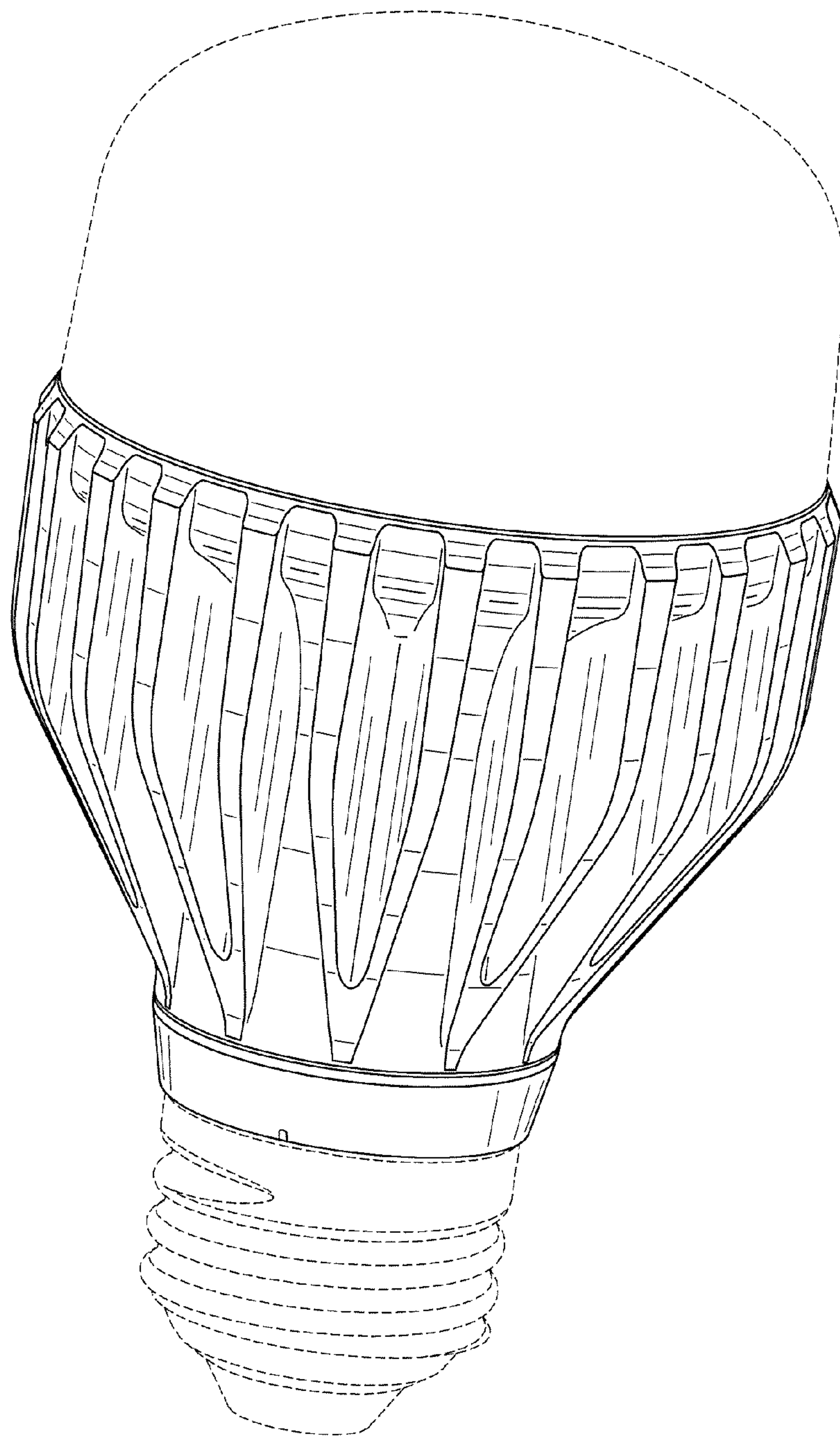


FIG. 1

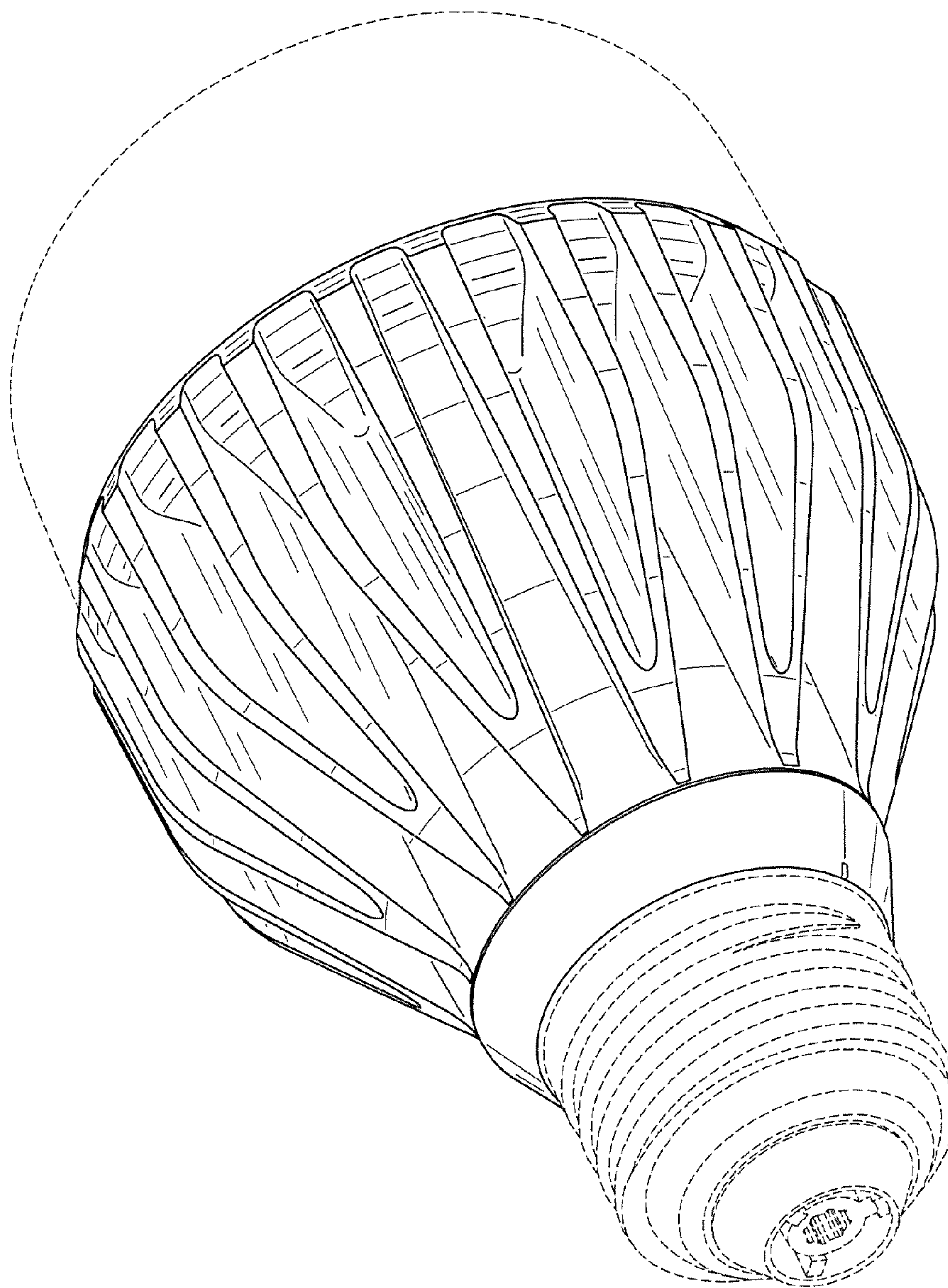


FIG. 2

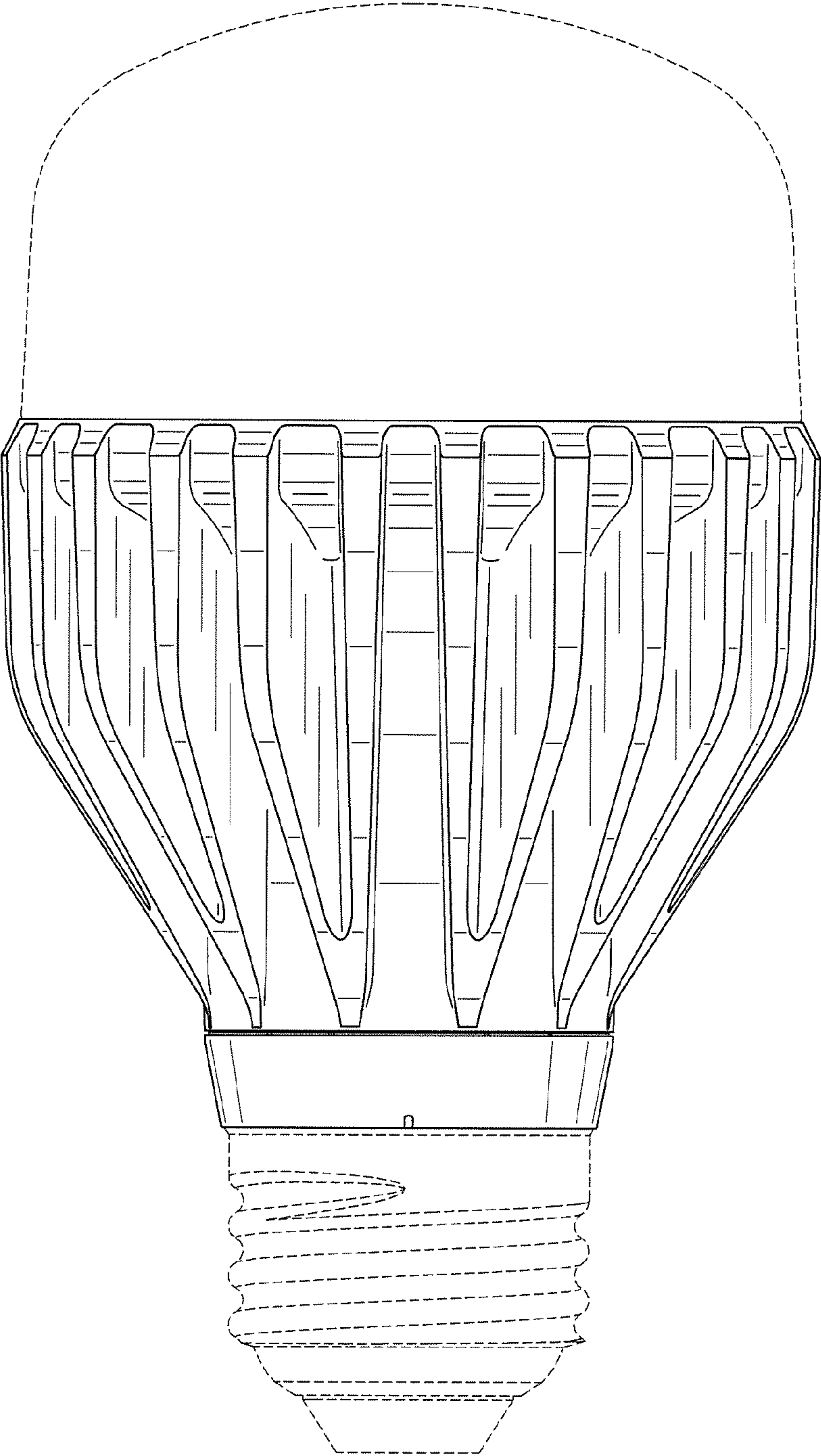


FIG. 3

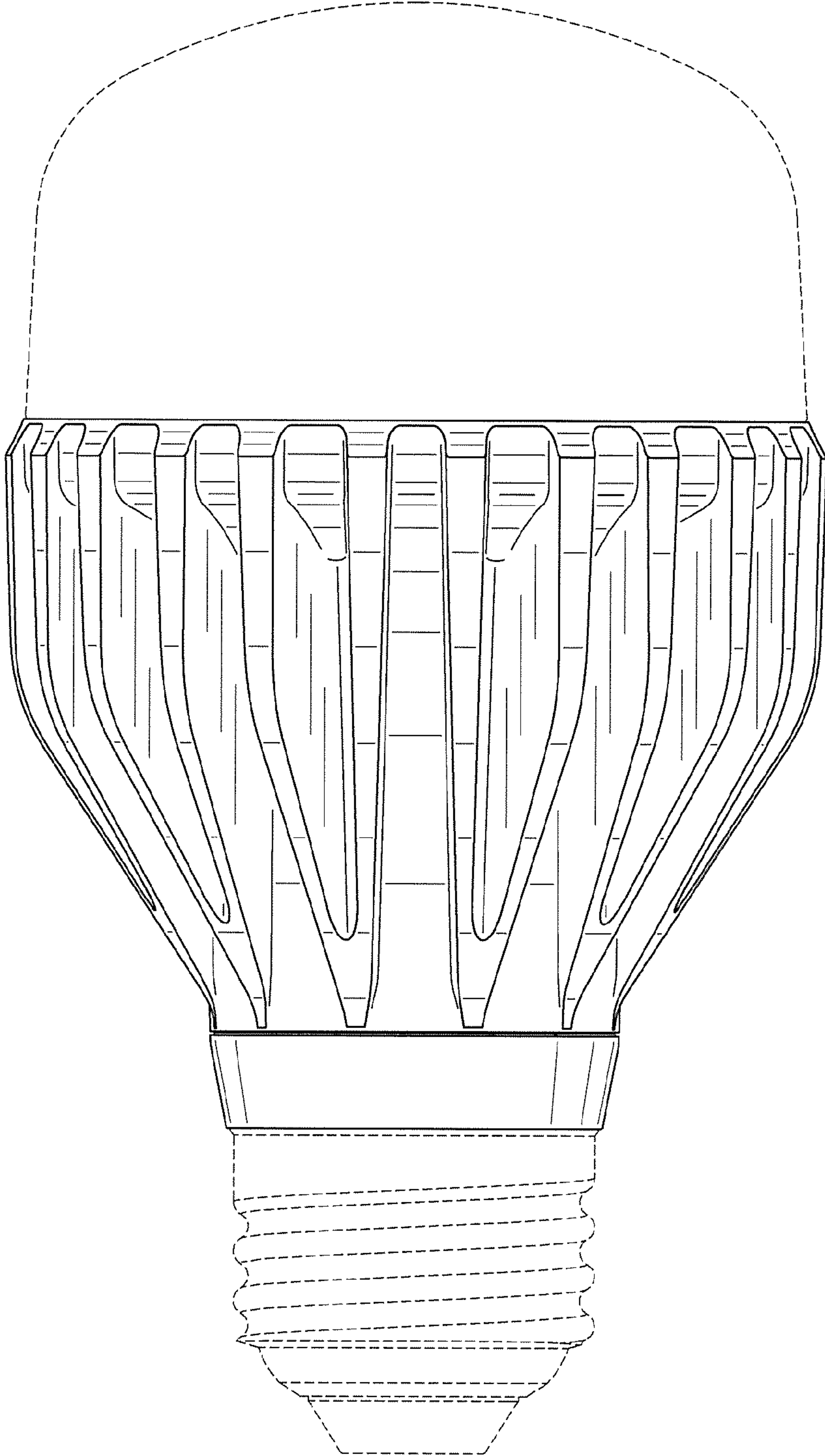


FIG. 4

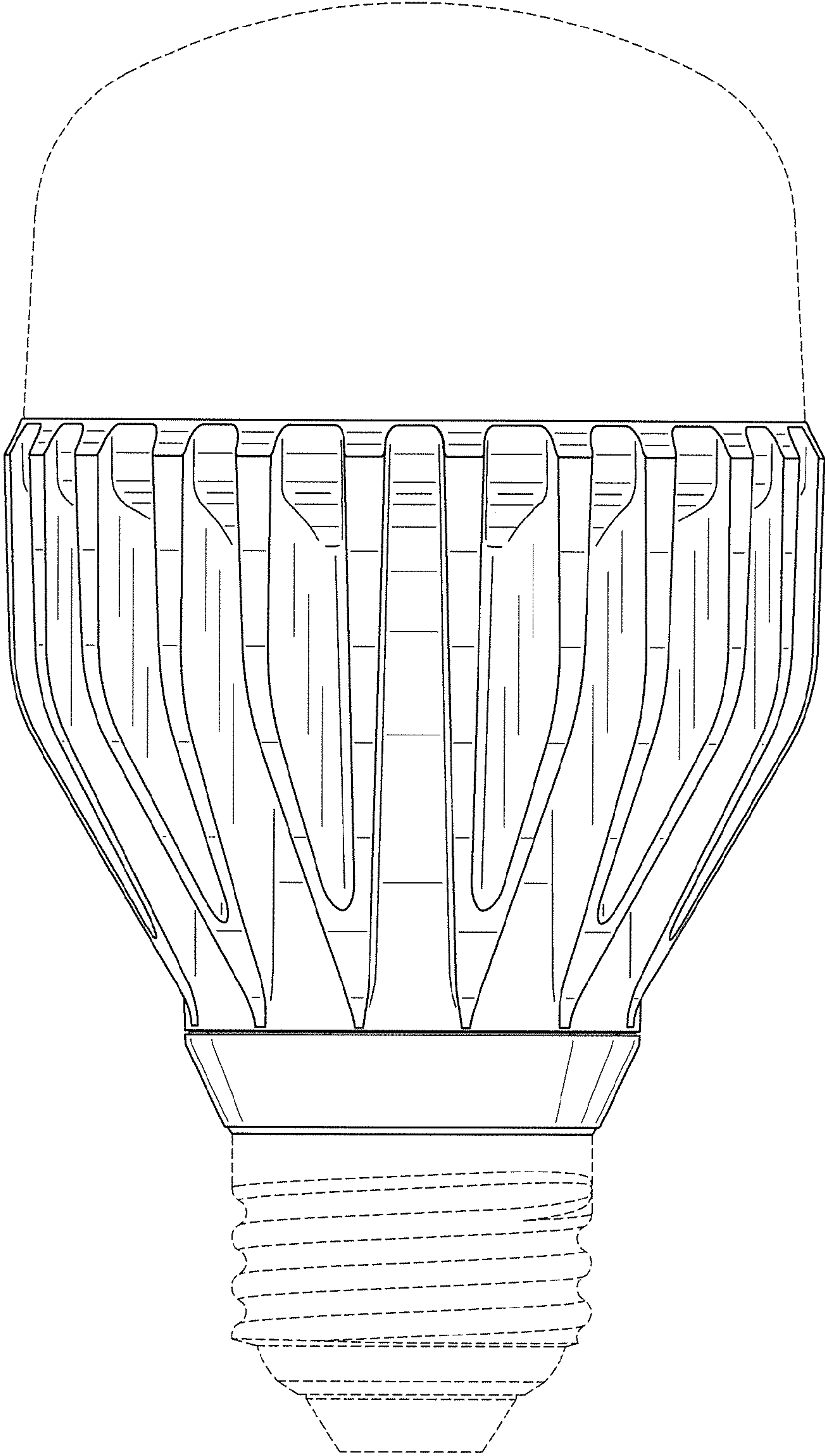


FIG. 5

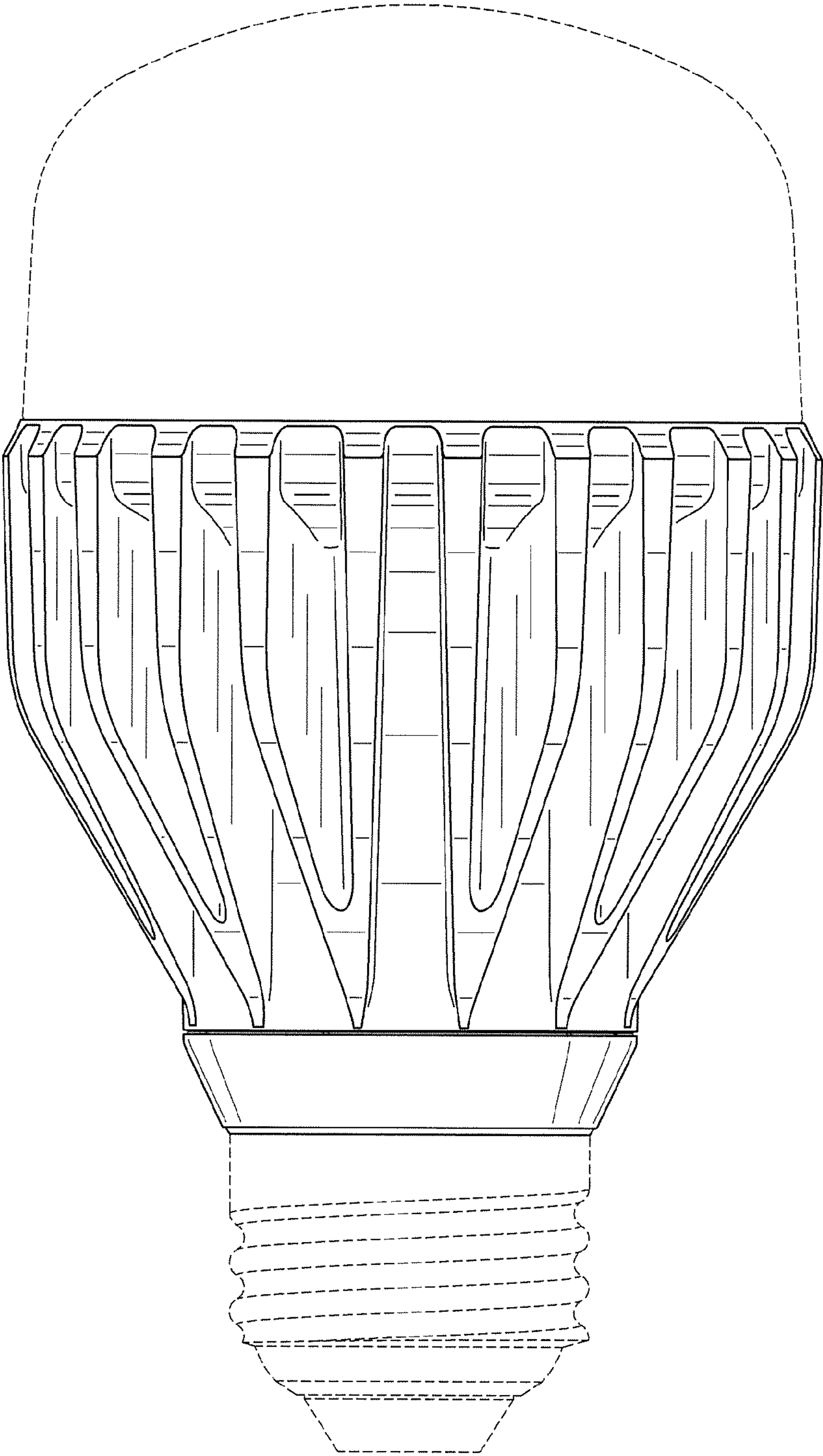


FIG. 6

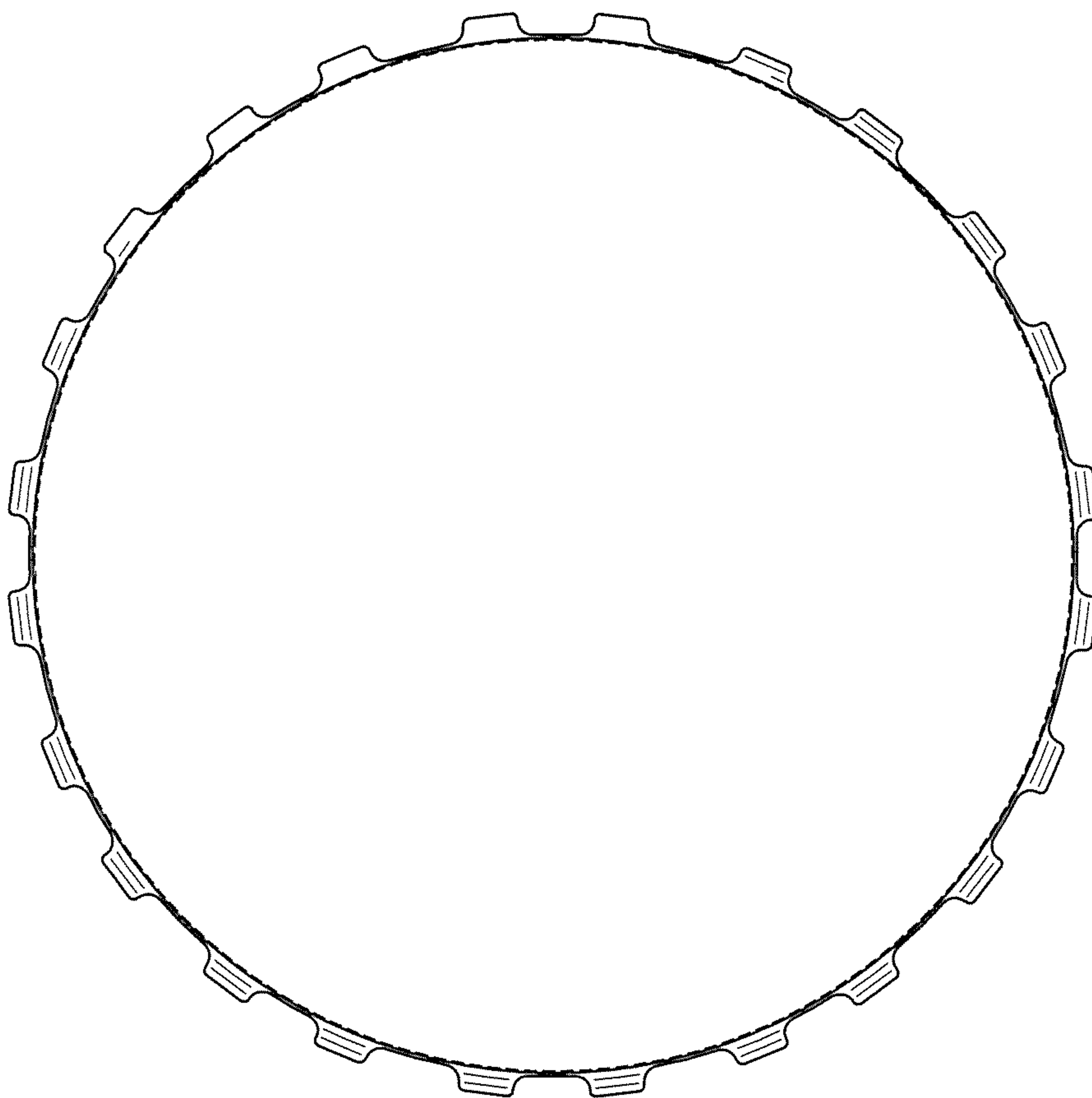


FIG. 7

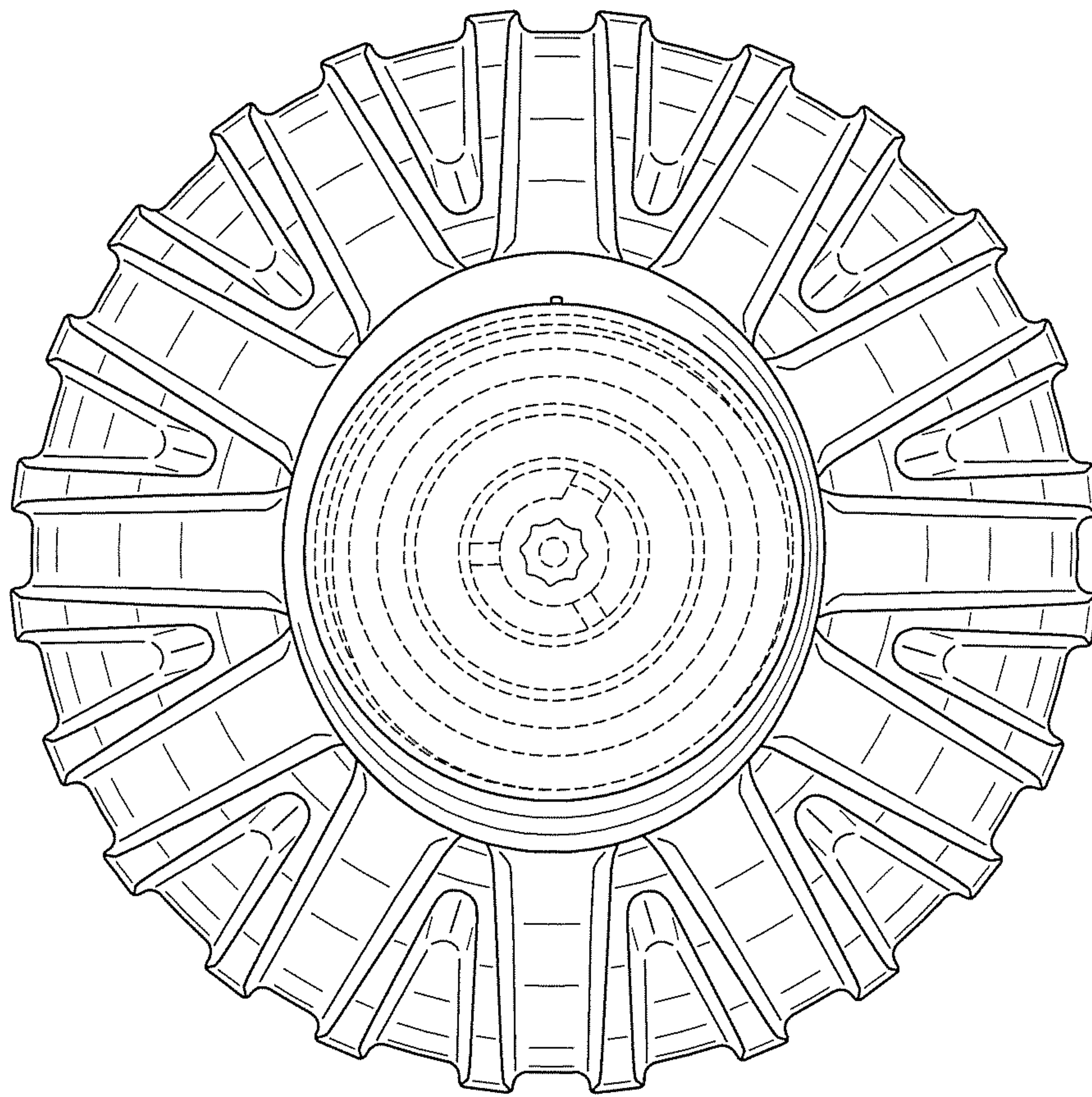


FIG. 8