

US00D762882S

(12) **United States Design Patent**
von Langsdorff

(10) **Patent No.:** **US D762,882 S**
(45) **Date of Patent:** **** Aug. 2, 2016**

(54) **PAVING STONE**

(71) Applicant: **F. von Langsdorff Licensing Limited,**
Caledon (CA)

(72) Inventor: **Harald von Langsdorff,** Caledon (CA)

(73) Assignee: **F. von Langsdorff Licensing Limited,**
Caledon (CA)

(**) Term: **14 Years**

(21) Appl. No.: **29/475,696**

(22) Filed: **Dec. 5, 2013**

(51) **LOC (10) Cl.** **25-01**

(52) **U.S. Cl.**
USPC **D25/152**

(58) **Field of Classification Search**
USPC D21/108, 484-491, 499-504;
D25/112-118, 152, 164
CPC A63H 33/04; C04B 28/02; C04B 14/10;
C04B 18/023; E01C 9/004
See application file for complete search history.

(56) **References Cited**

U.S. PATENT DOCUMENTS

1,686,270 A * 10/1928 Dwyer et al. 52/566
1,688,902 A * 10/1928 Straight 52/605

(Continued)

Primary Examiner — Eric Goodman

Assistant Examiner — Amy Wierenga

(74) *Attorney, Agent, or Firm* — Santosh K. Chari; Blake,
Cassels & Graydon LLP

(57) **CLAIM**

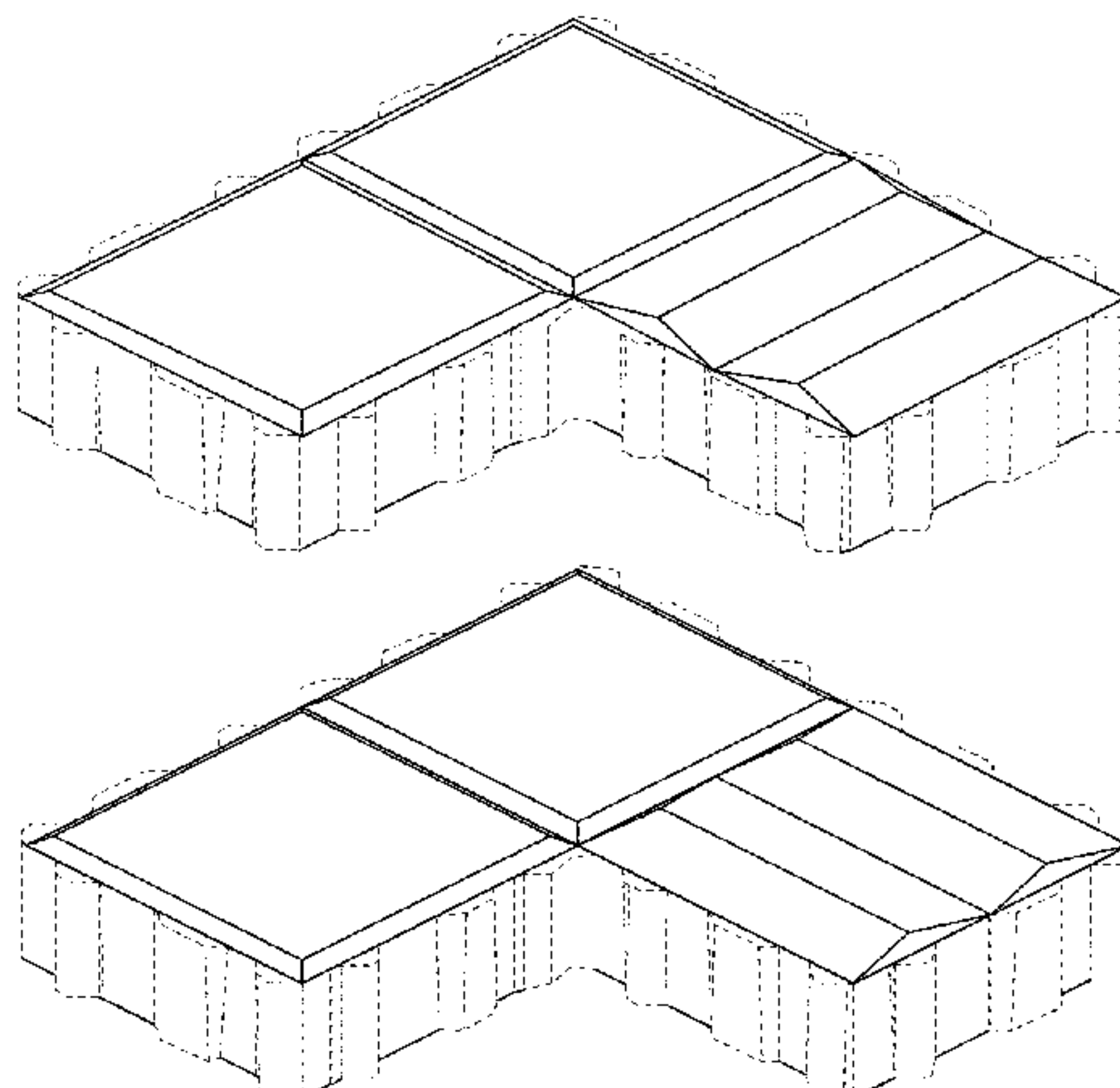
The ornamental design for a paving stone, substantially as
shown and described.

DESCRIPTION

FIG. 1 is a top perspective view of a paving stone according to
a first embodiment of the design.

FIG. 2 is a top view of the design of FIG. 1.
FIG. 3 is a left side view of the design of FIG. 1.
FIG. 4 is a rear view of the design of FIG. 1.
FIG. 5 is a front view of the design of FIG. 1.
FIG. 6 is a right side of the design of FIG. 1.
FIG. 7 is a top perspective view of a paving stone according to
a second embodiment of the design.
FIG. 8 is a top view of the design of FIG. 7.
FIG. 9 is a left side view of the design of FIG. 7.
FIG. 10 is a rear view of the design of FIG. 7.
FIG. 11 is a front view of the design of FIG. 7.
FIG. 12 is a right side of the design of FIG. 7.
FIG. 13 is a top perspective view of a paving stone according
to a third embodiment of the design.
FIG. 14 is a top view of the design of FIG. 13.
FIG. 15 is a left side view of the design of FIG. 13.
FIG. 16 is a rear view of the design of FIG. 13.
FIG. 17 is a front view of the design of FIG. 13.
FIG. 18 is a right side of the design of FIG. 13.
FIG. 19 is a top perspective view of a paving stone according
to a fourth embodiment of the design.
FIG. 20 is a top view of the design of FIG. 19.
FIG. 21 is a left side view of the design of FIG. 19.
FIG. 22 is a rear view of the design of FIG. 19.
FIG. 23 is a front view of the design of FIG. 19.
FIG. 24 is a right side of the design of FIG. 19.
FIG. 25 is a top perspective view of a paving stone according
to a fifth embodiment of the design.
FIG. 26 is a top view of the design of FIG. 25.
FIG. 27 is a left side view of the design of FIG. 25.
FIG. 28 is a rear view of the design of FIG. 25.
FIG. 29 is a front view of the design of FIG. 25.
FIG. 30 is a right side of the design of FIG. 25.
FIG. 31 is a top perspective view of a paving stone according
to a sixth embodiment of the design.
FIG. 32 is a top view of the design of FIG. 31.
FIG. 33 is a left side view of the design of FIG. 31.
FIG. 34 is a rear view of the design of FIG. 31.
FIG. 35 is a front view of the design of FIG. 31; and,
FIG. 36 is a right side of the design of FIG. 31.
The broken lines shown in the drawings depict portions of the
paving stone that form no part of the claim. The rib features
shown in broken line on the sides of the paving stone form no
part of the claim.

1 Claim, 12 Drawing Sheets



(56)

References Cited

U.S. PATENT DOCUMENTS

1,689,107 A * 10/1928 Bradley 52/592.3
 1,794,572 A * 3/1931 Wyatt 52/596
 1,862,246 A * 6/1932 Ticehurst 52/608
 2,132,757 A * 10/1938 Paulson 446/124
 D134,701 S * 12/1942 Meade D25/113
 3,640,288 A * 2/1972 Spanel 132/212
 D262,742 S * 1/1982 Vesterholt D25/113
 4,329,981 A * 5/1982 Dungl 601/28
 5,186,703 A * 2/1993 Huang 482/148
 D339,898 S * 10/1993 Lane D1/121
 D340,119 S * 10/1993 Lane D1/121
 5,409,325 A * 4/1995 Wu 404/34
 D389,926 S * 1/1998 Barth et al. D25/113
 5,902,069 A * 5/1999 Barth et al.
 D417,514 S * 12/1999 Von Langsdorff et al. .. D25/158
 D425,628 S * 5/2000 Barth et al. D25/113
 6,055,784 A * 5/2000 Geiger 52/302.1
 6,063,007 A * 5/2000 Sithole 482/52
 D431,305 S * 9/2000 Barth et al. D25/113
 D457,971 S * 5/2002 Schrader et al. D25/113
 D485,370 S 1/2004 Schmitz et al.

D498,543 S 11/2004 Schmitz et al.
 6,857,244 B2 2/2005 Schmitz
 D510,443 S * 10/2005 Von Langsdorff D25/112
 D511,012 S * 10/2005 Von Langsdorff D25/113
 D574,087 S * 7/2008 Bouchard D25/113
 D574,514 S * 8/2008 Bouchard D25/113
 D574,516 S * 8/2008 Bouchard D25/113
 D610,268 S * 2/2010 Hammer et al. D25/113
 7,850,394 B2 12/2010 Schroder
 D639,454 S * 6/2011 Thomassen D25/113
 D655,803 S * 3/2012 Platt D23/365
 D655,804 S * 3/2012 Platt D23/365
 D656,242 S * 3/2012 MacDonald et al. D25/113
 D656,625 S * 3/2012 MacDonald et al. D25/113
 D657,858 S * 4/2012 Platt D23/365
 D674,117 S * 1/2013 Thomassen et al. D25/113
 D674,118 S * 1/2013 MacDonald et al. D25/113
 D689,624 S * 9/2013 Pacitto D25/113
 D689,625 S * 9/2013 Antal D25/113
 D701,619 S * 3/2014 Pacitto D25/113
 D704,859 S * 5/2014 Gleason D25/113
 D711,019 S * 8/2014 Griffith D25/113
 D711,020 S * 8/2014 Cochren D25/113
 2007/0277471 A1 12/2007 Gibson

* cited by examiner

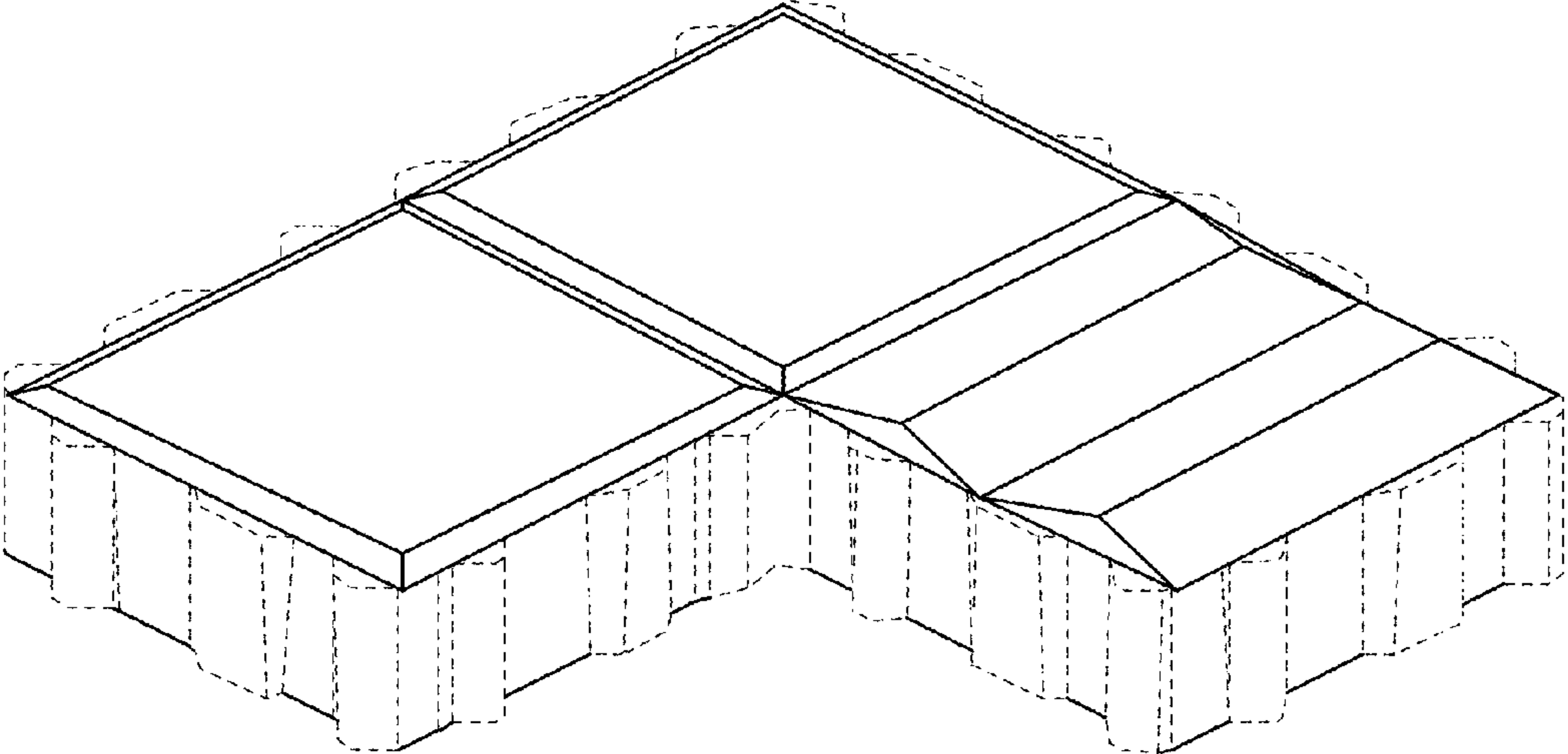


Figure 1

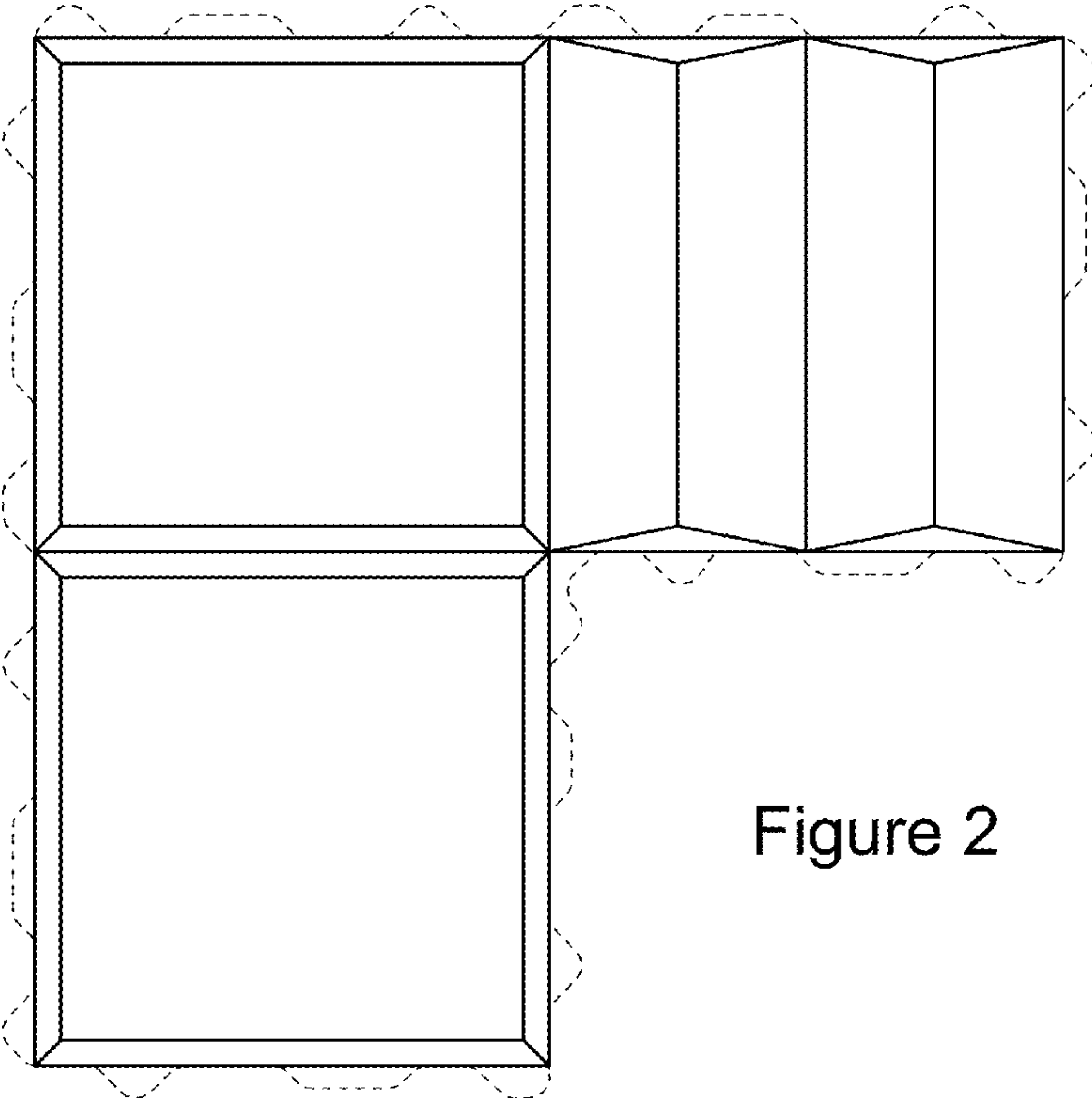


Figure 2

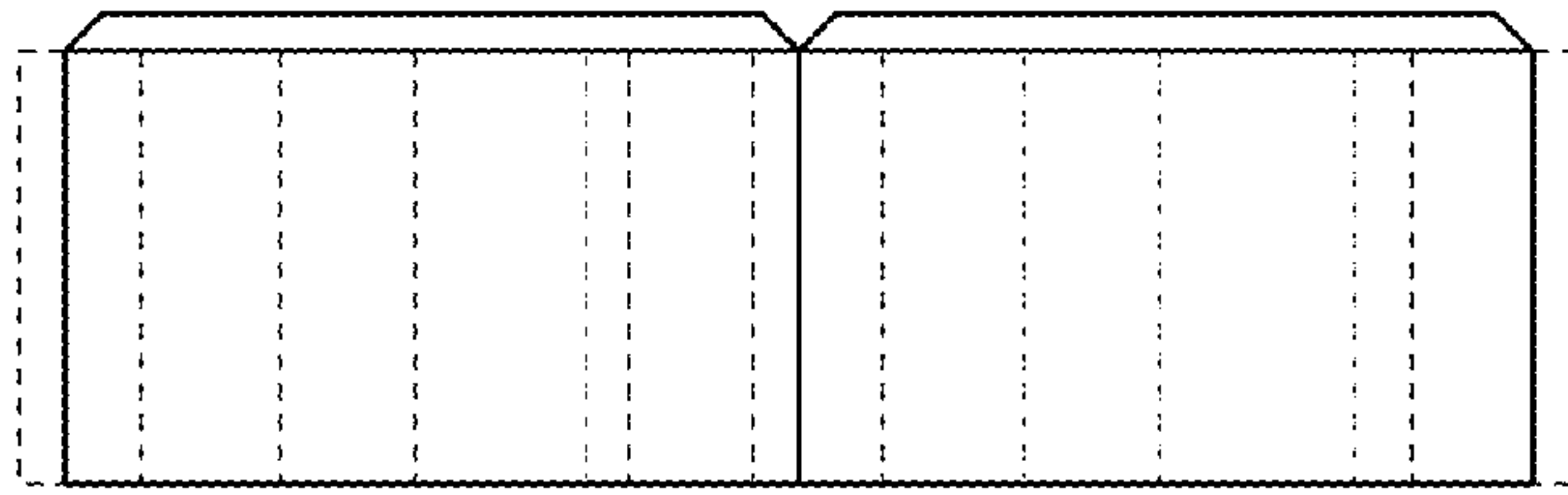


Figure 3

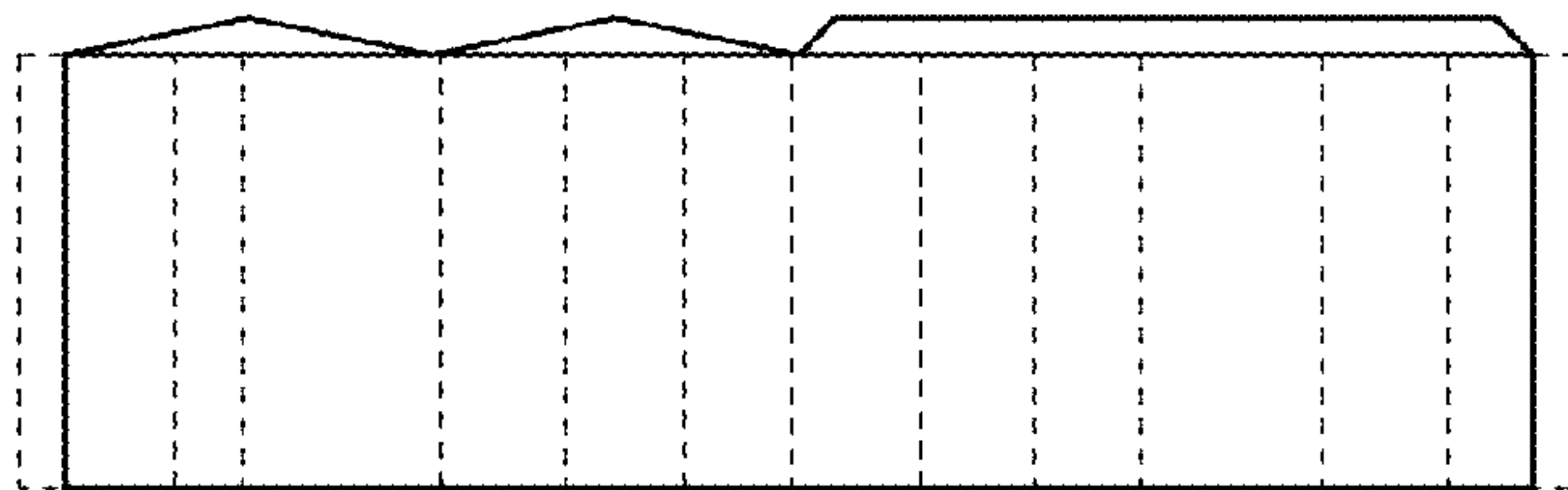


Figure 4

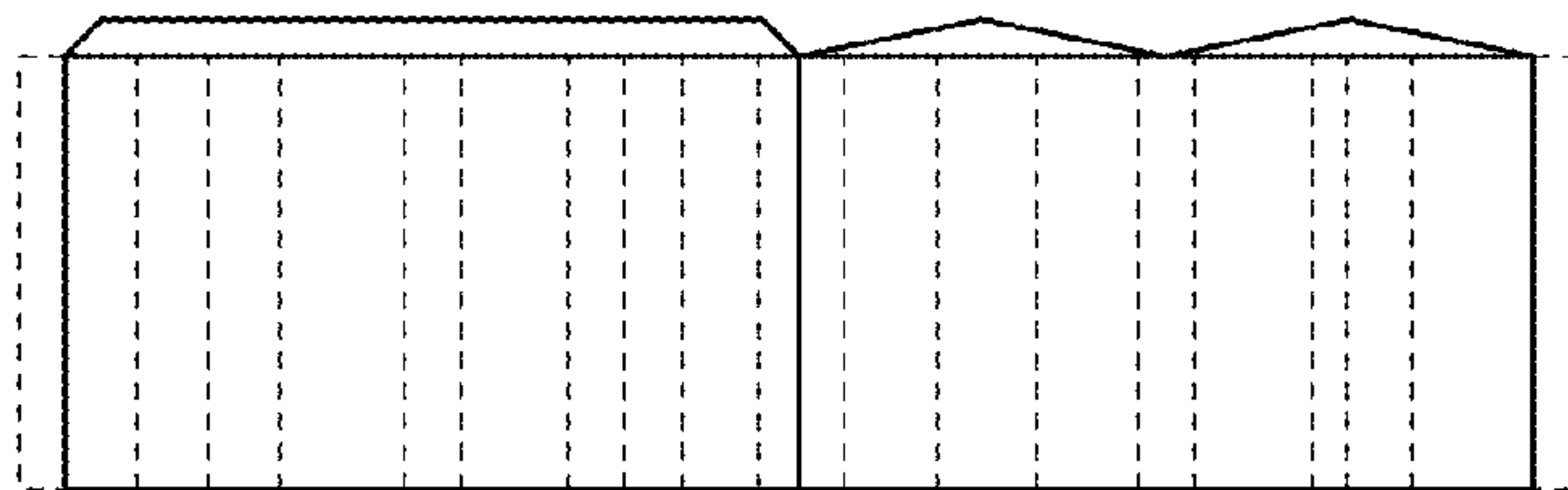


Figure 5

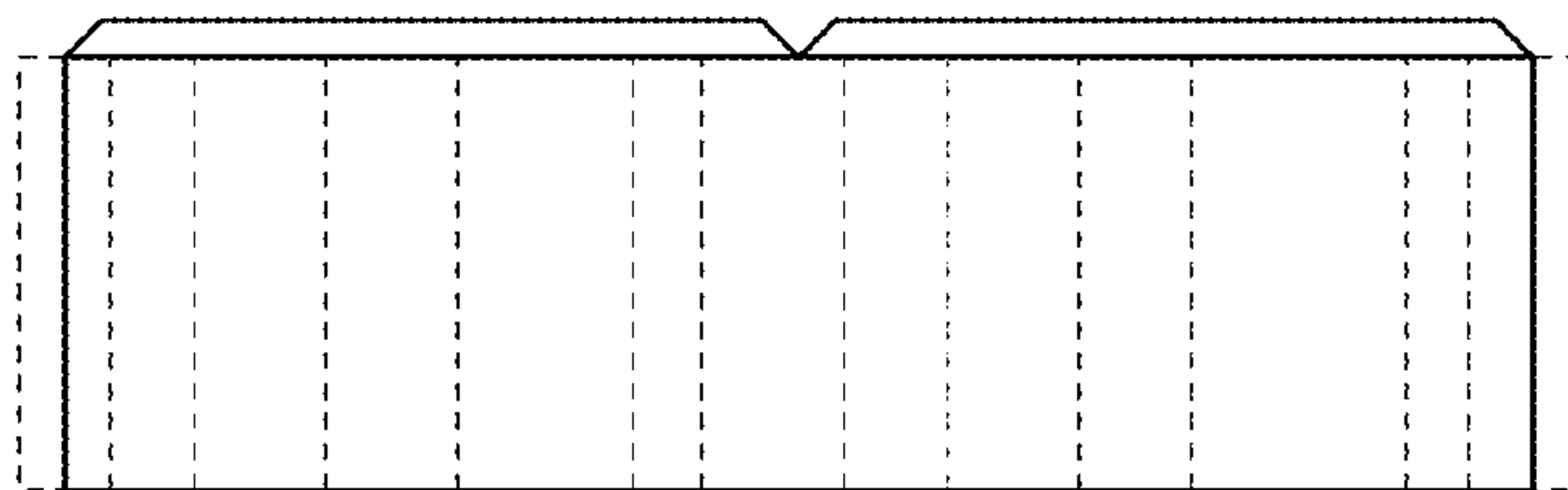


Figure 6

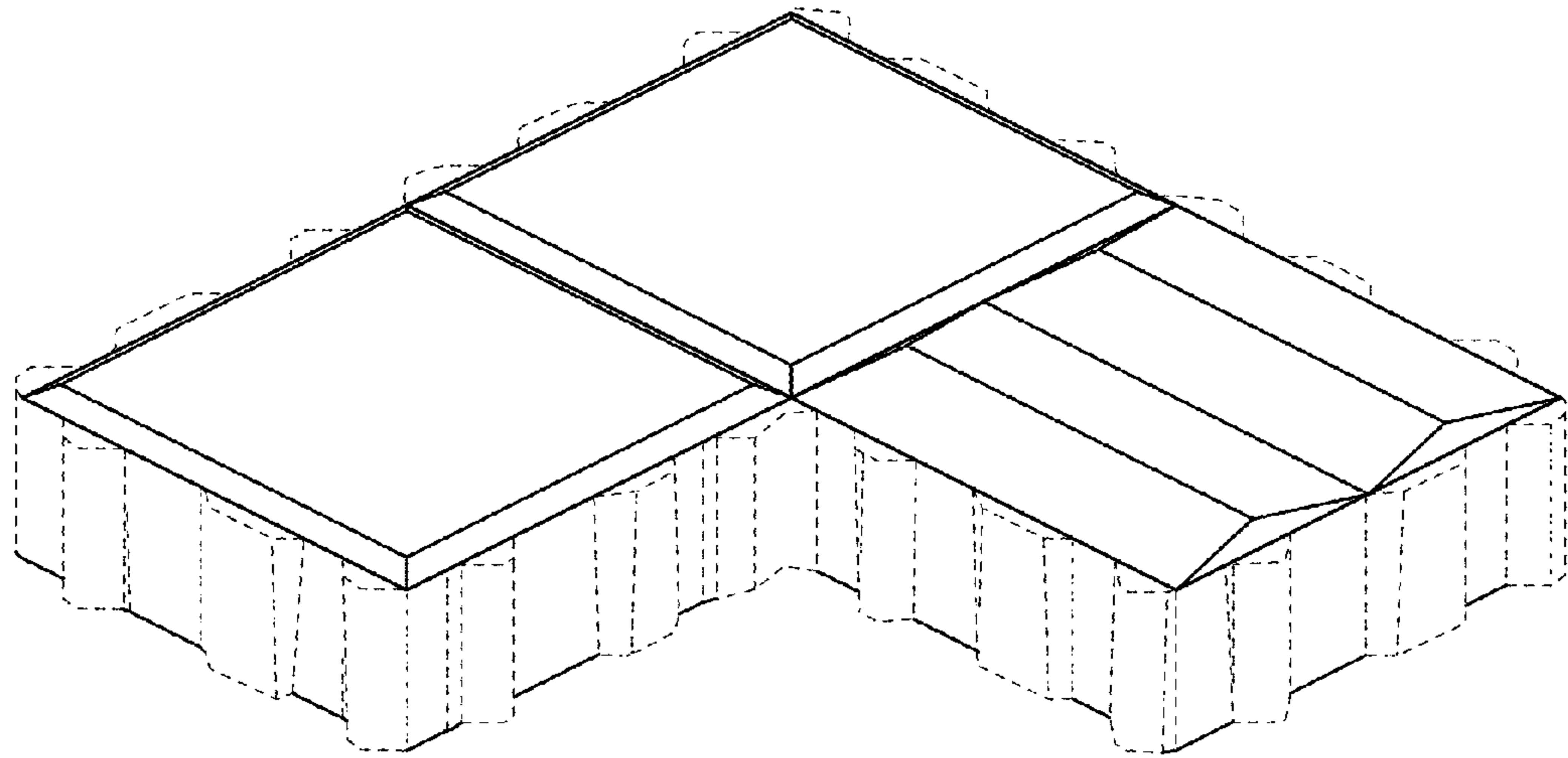


Figure 7

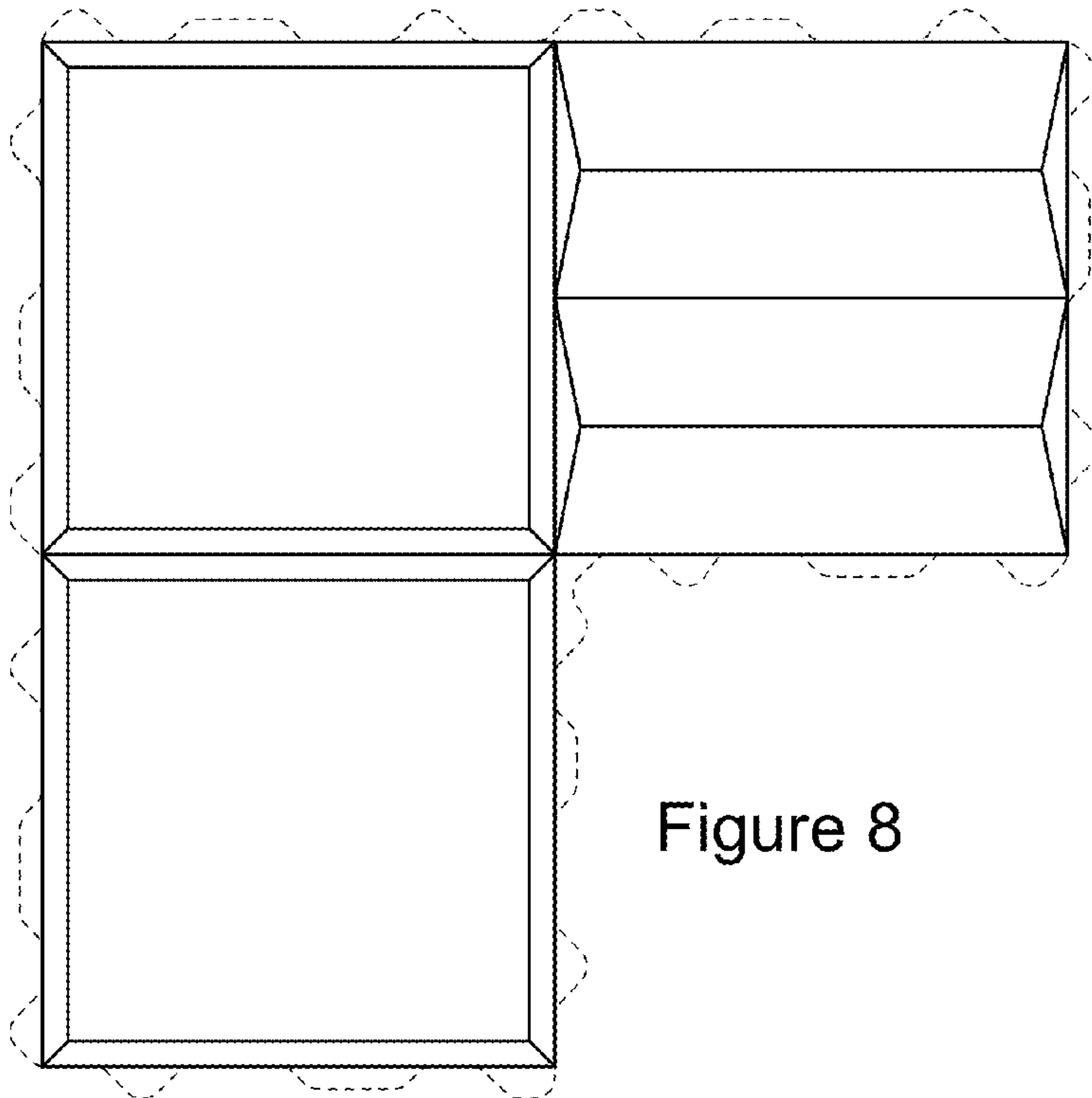


Figure 8

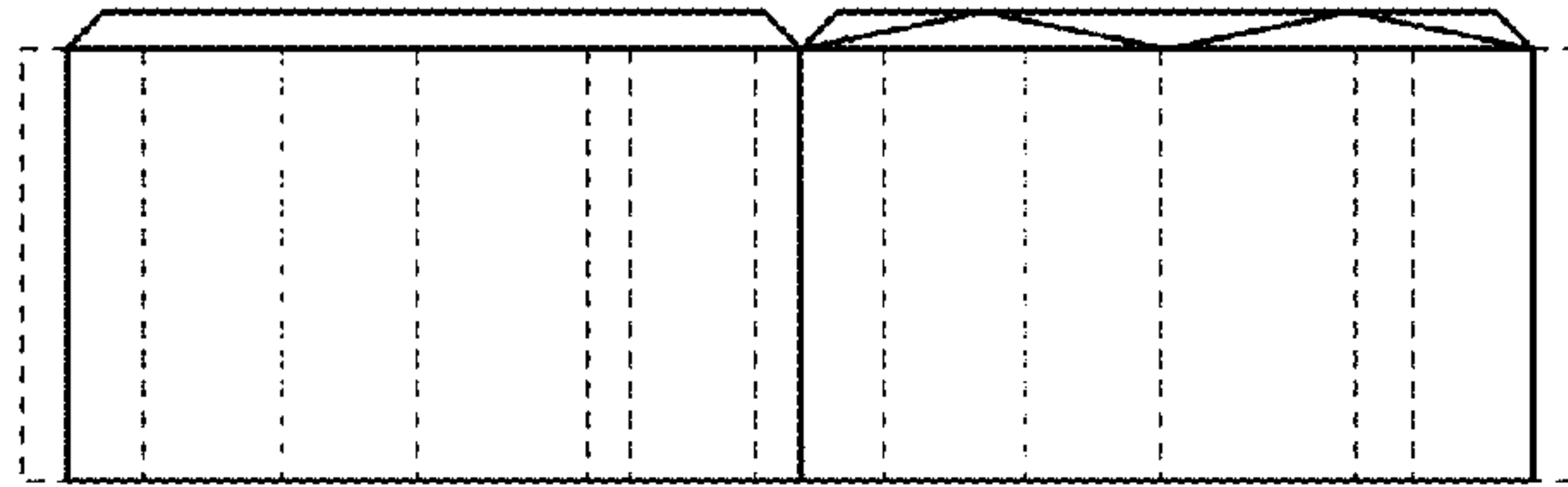


Figure 9

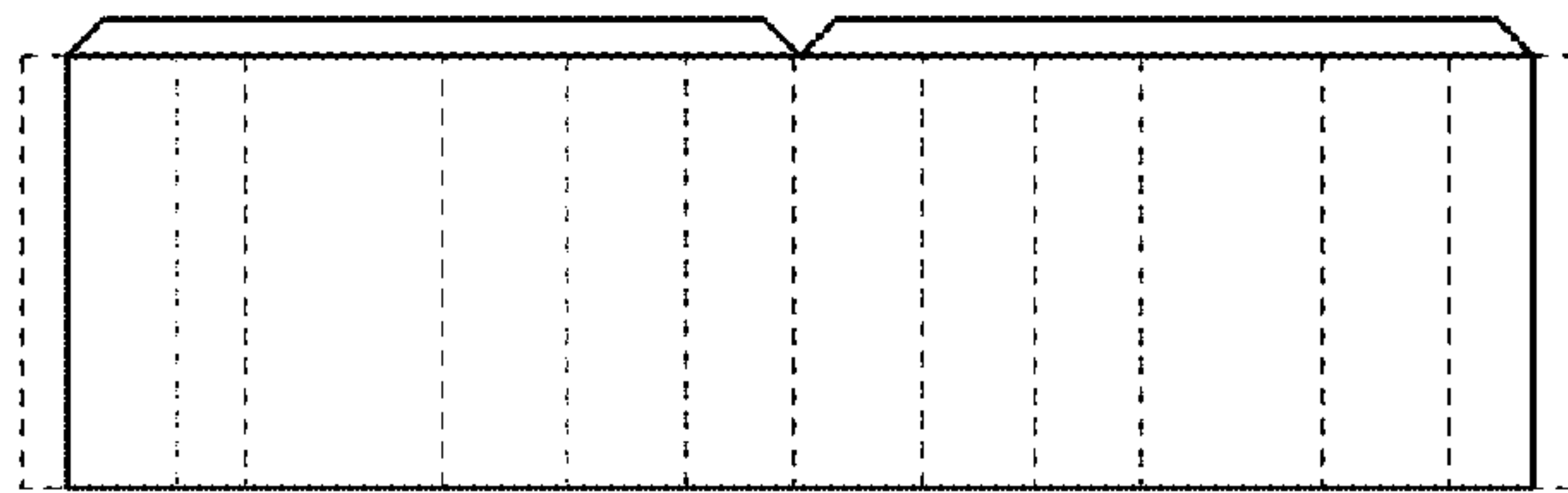


Figure 10

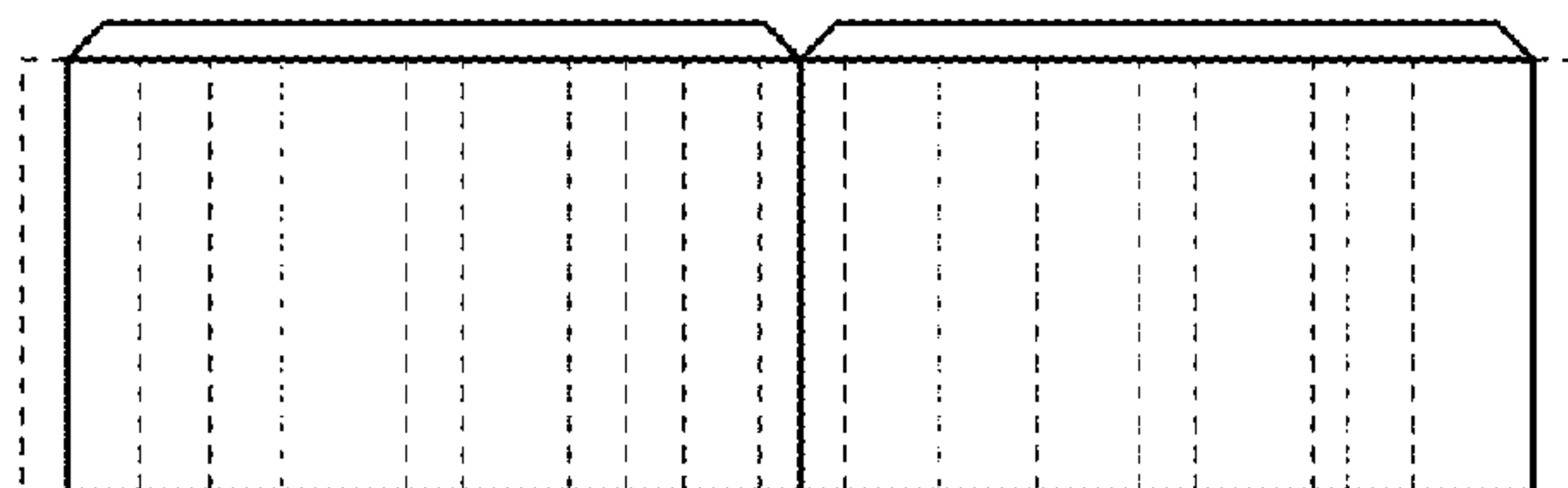


Figure 11

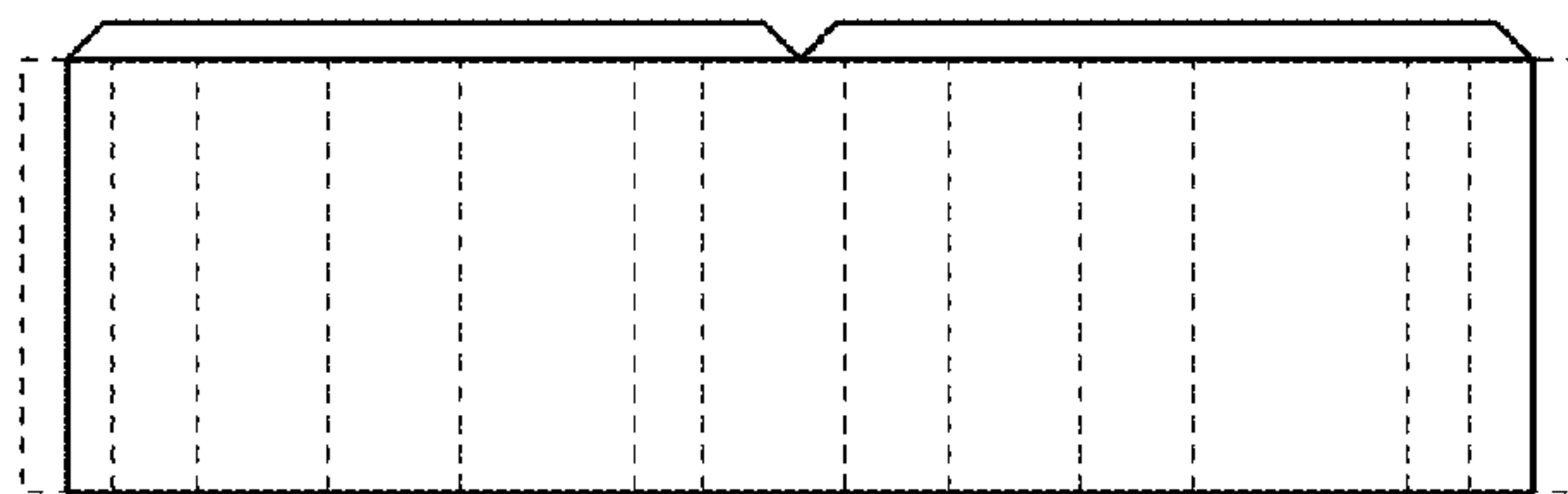


Figure 12

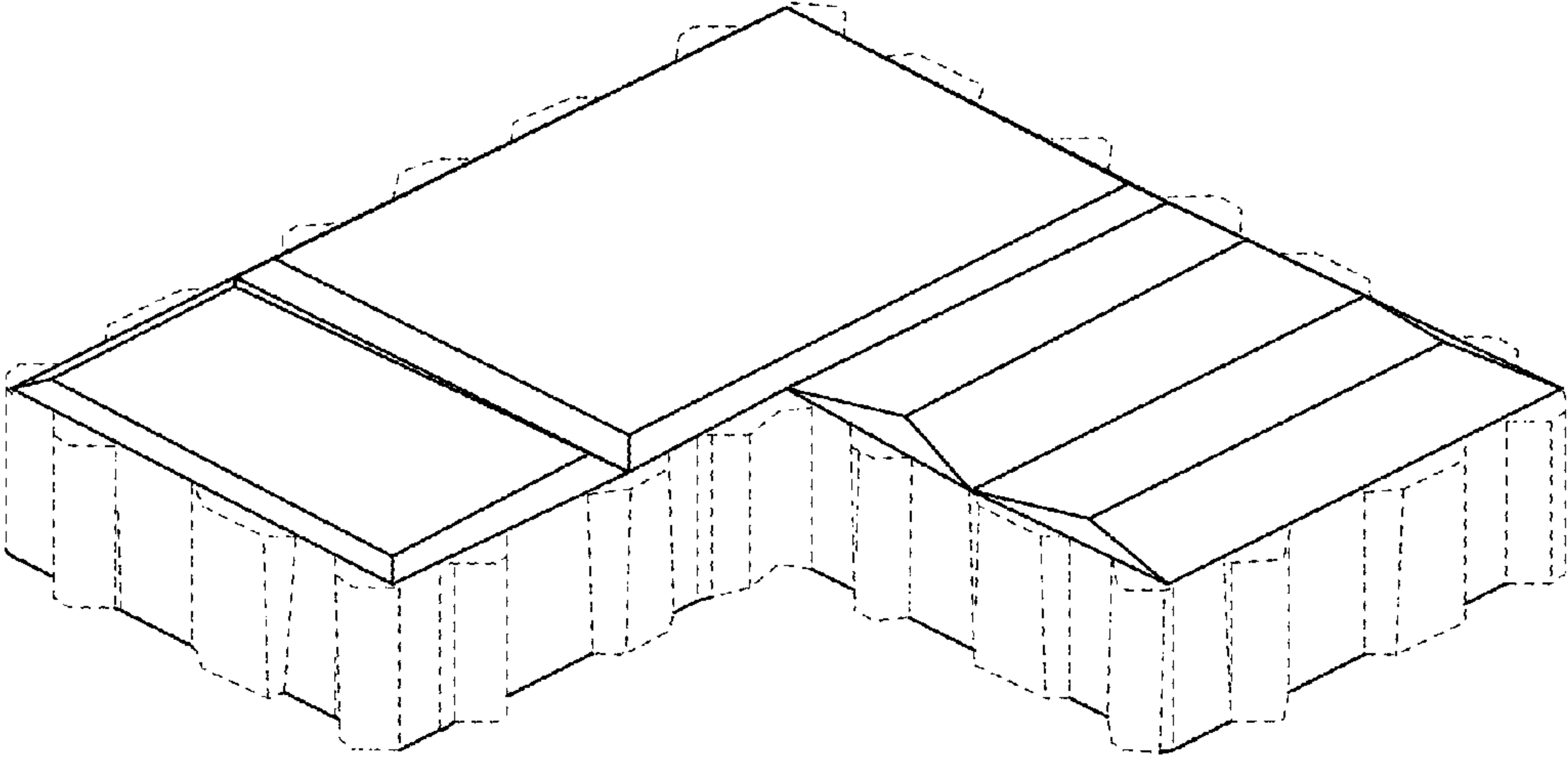


Figure 13

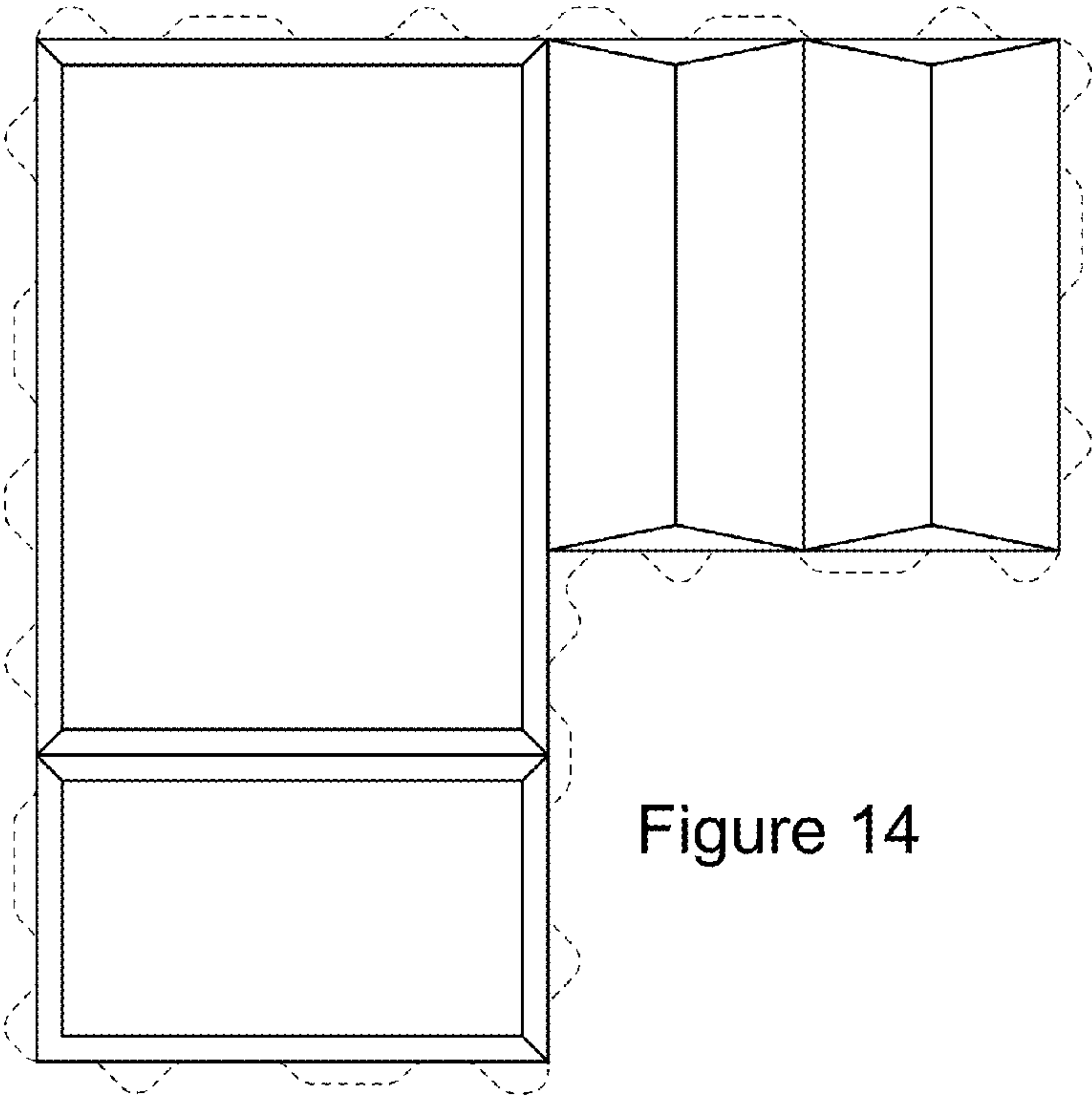


Figure 14

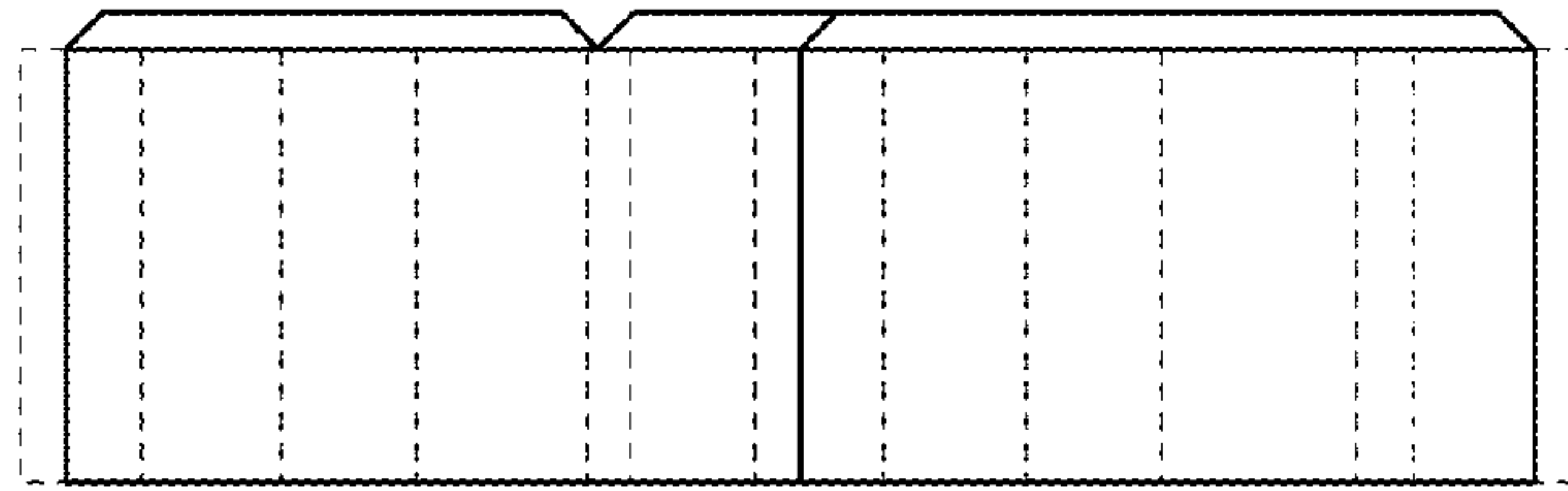


Figure 15

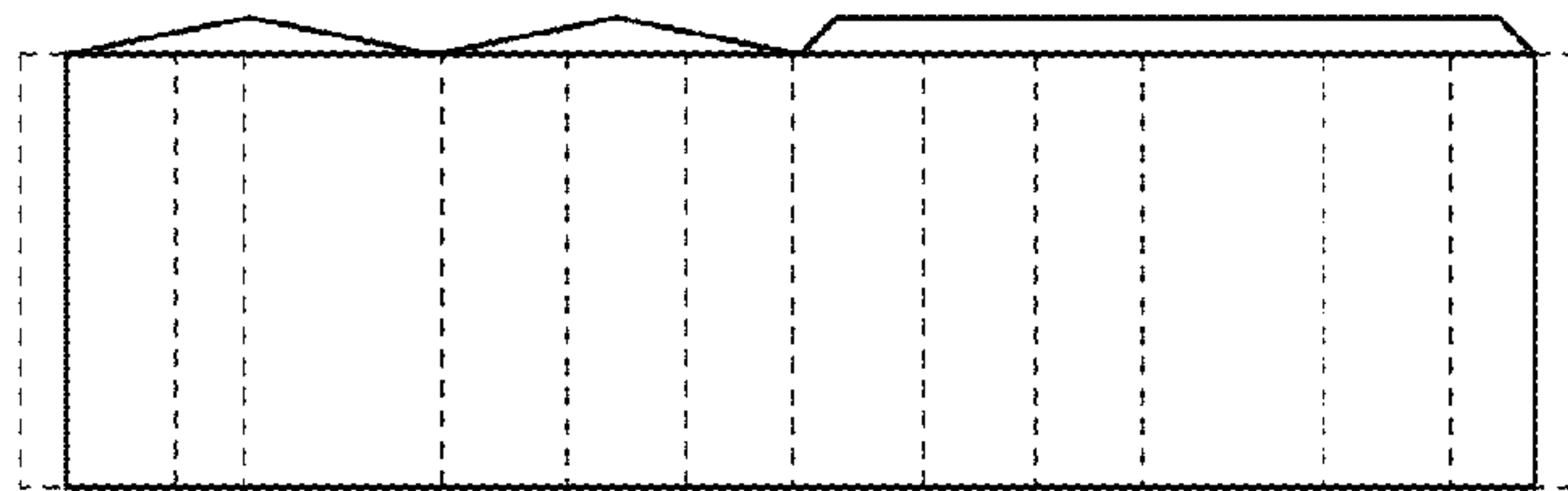


Figure 16

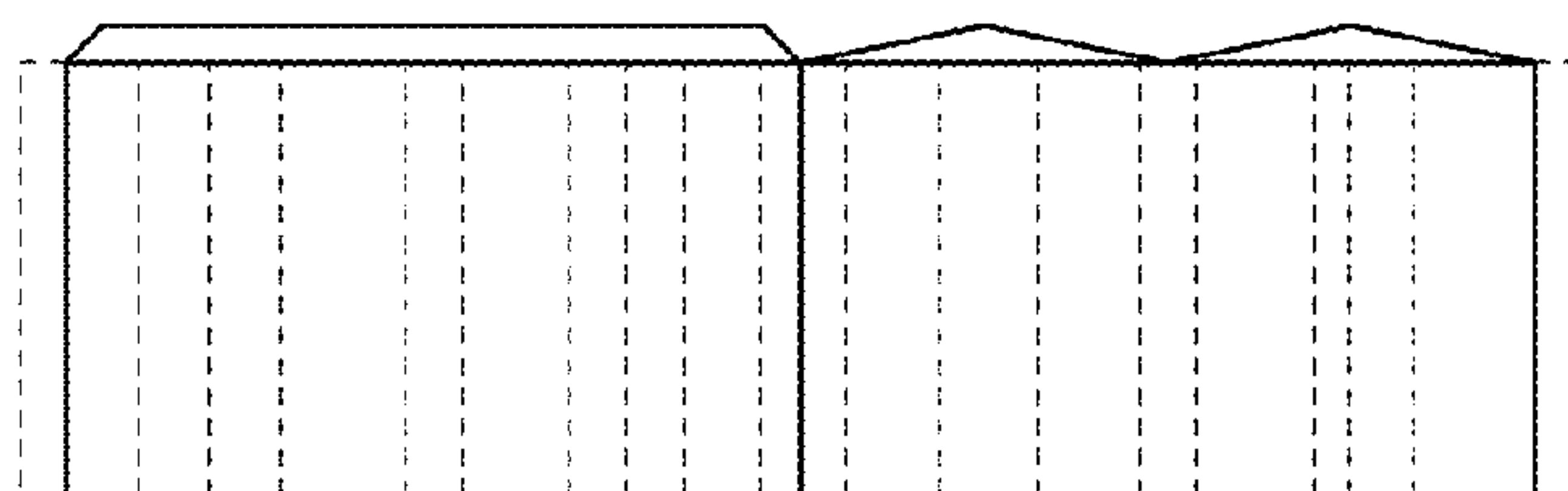


Figure 17

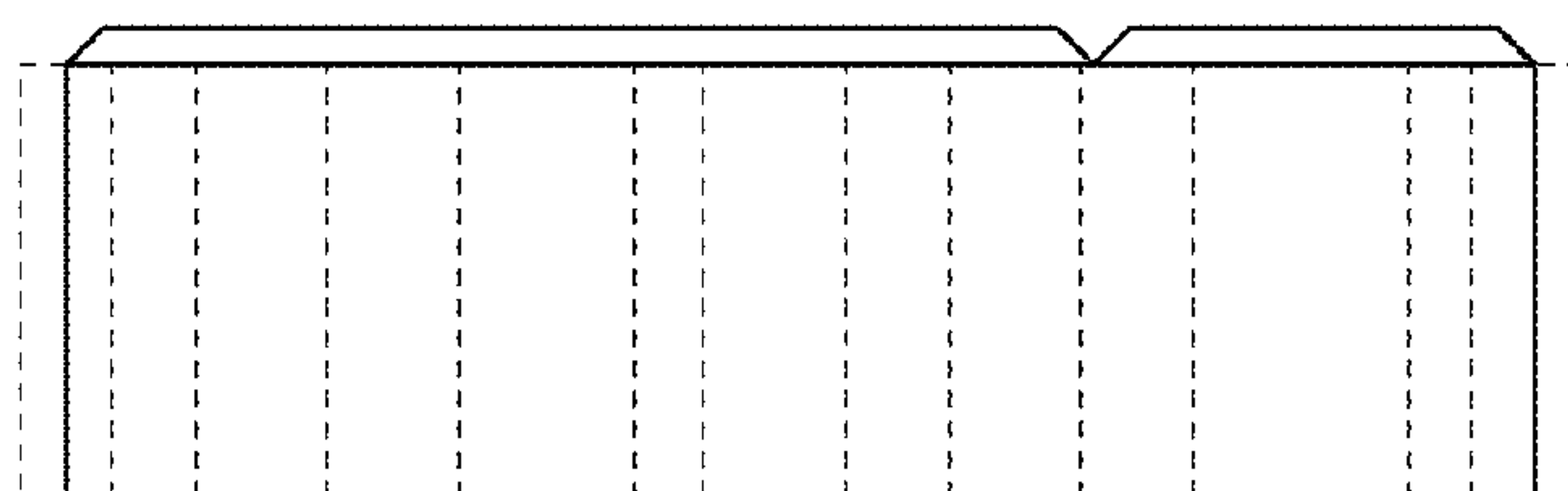


Figure 18

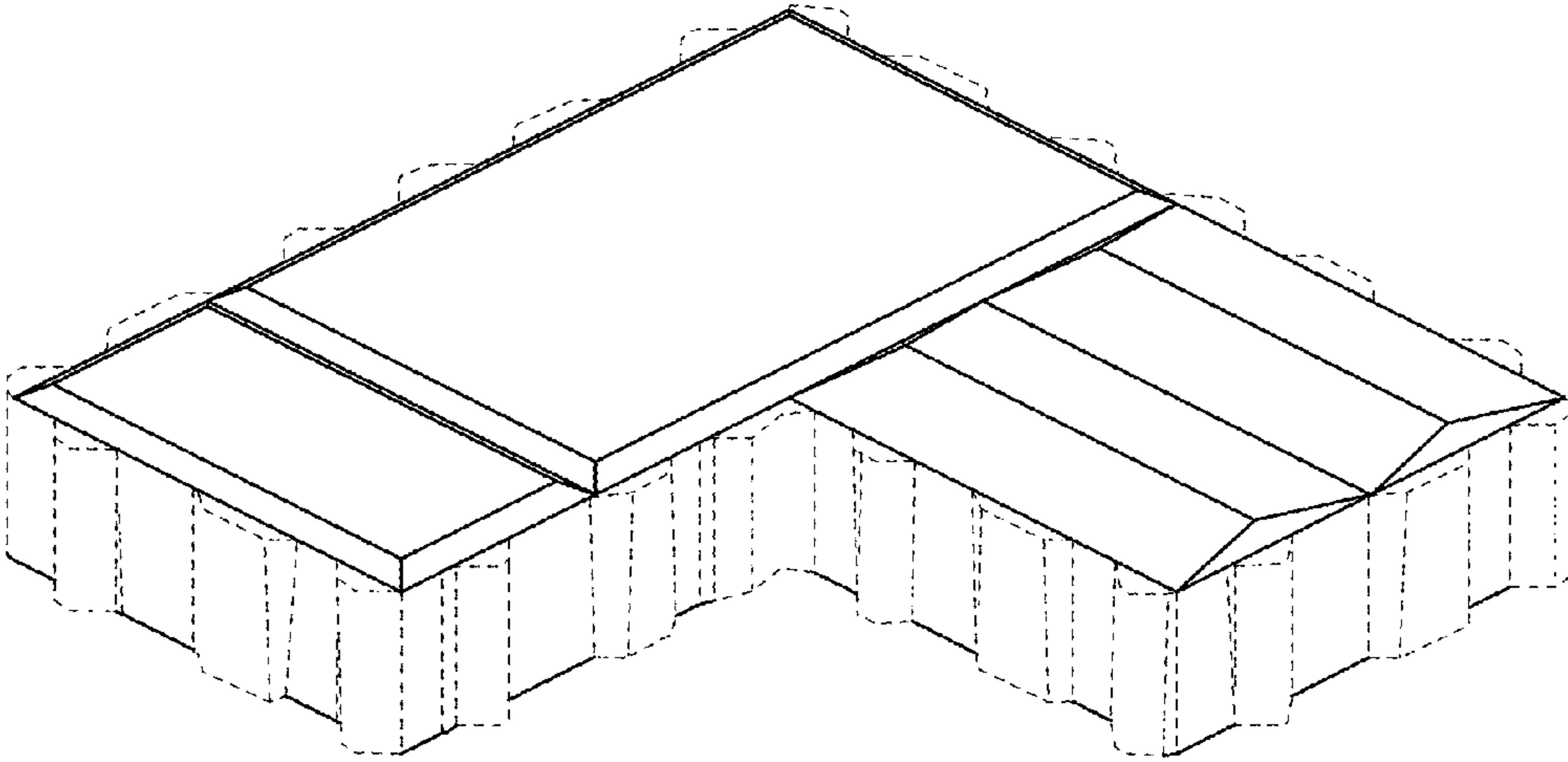


Figure 19

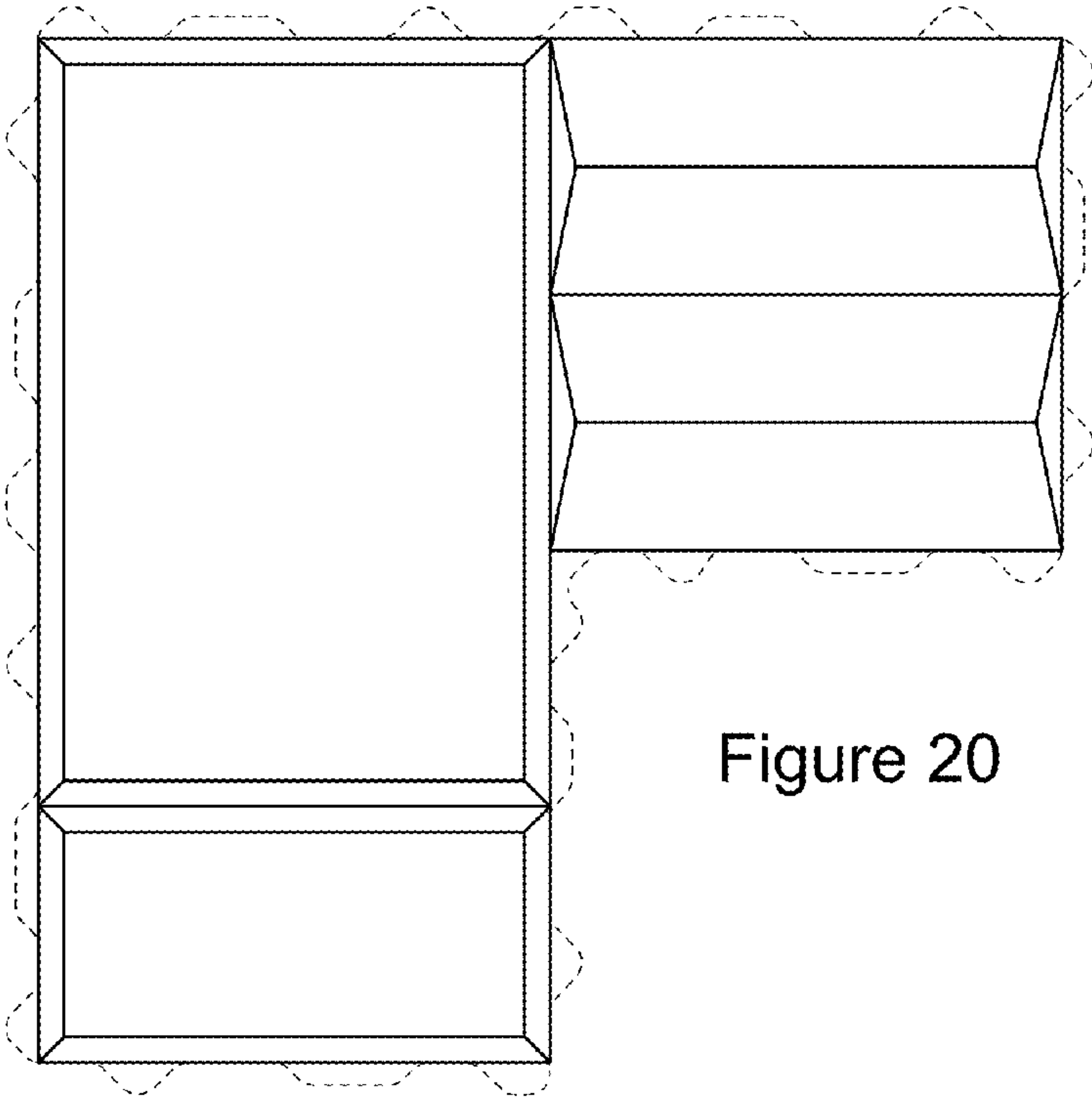


Figure 20

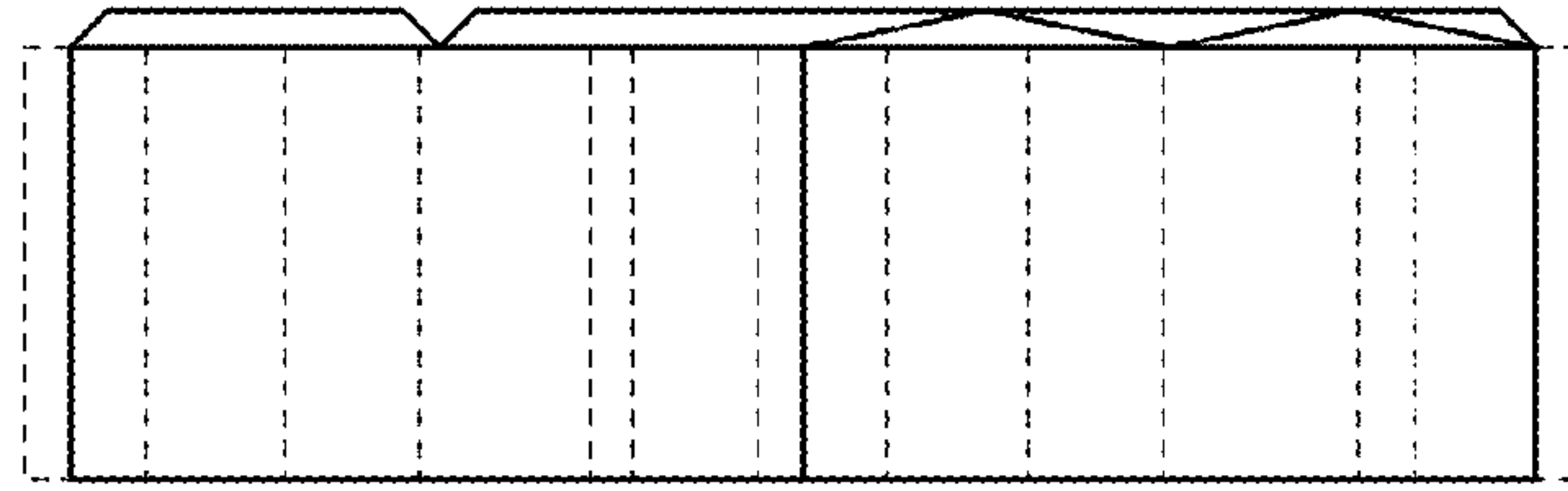


Figure 21

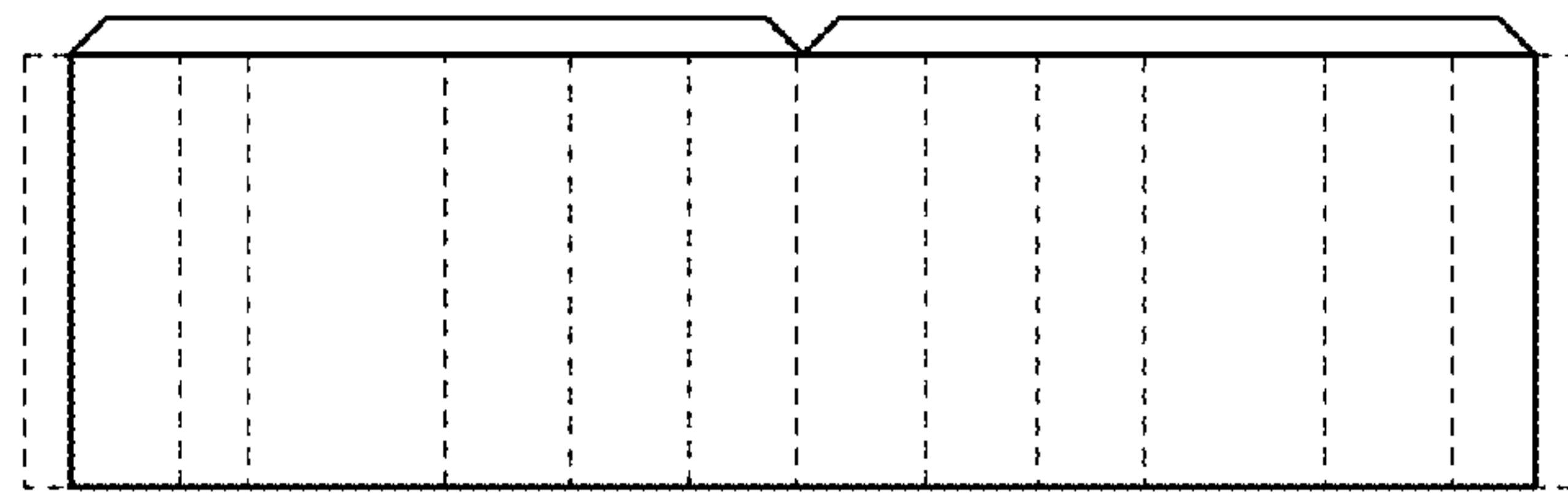


Figure 22

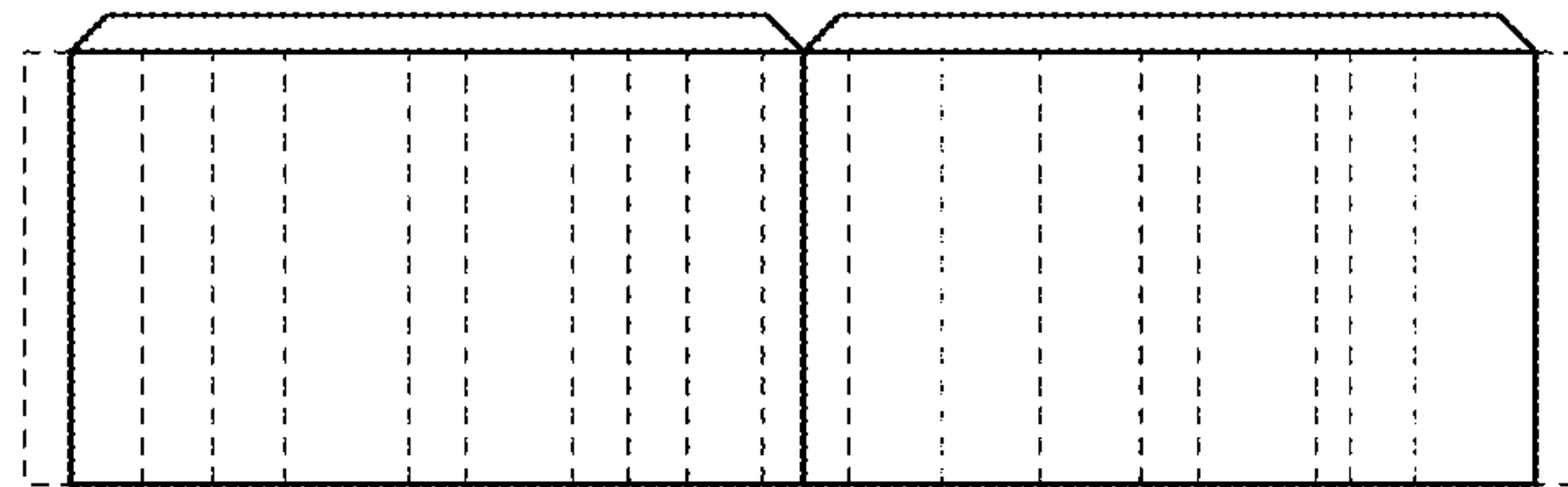


Figure 23

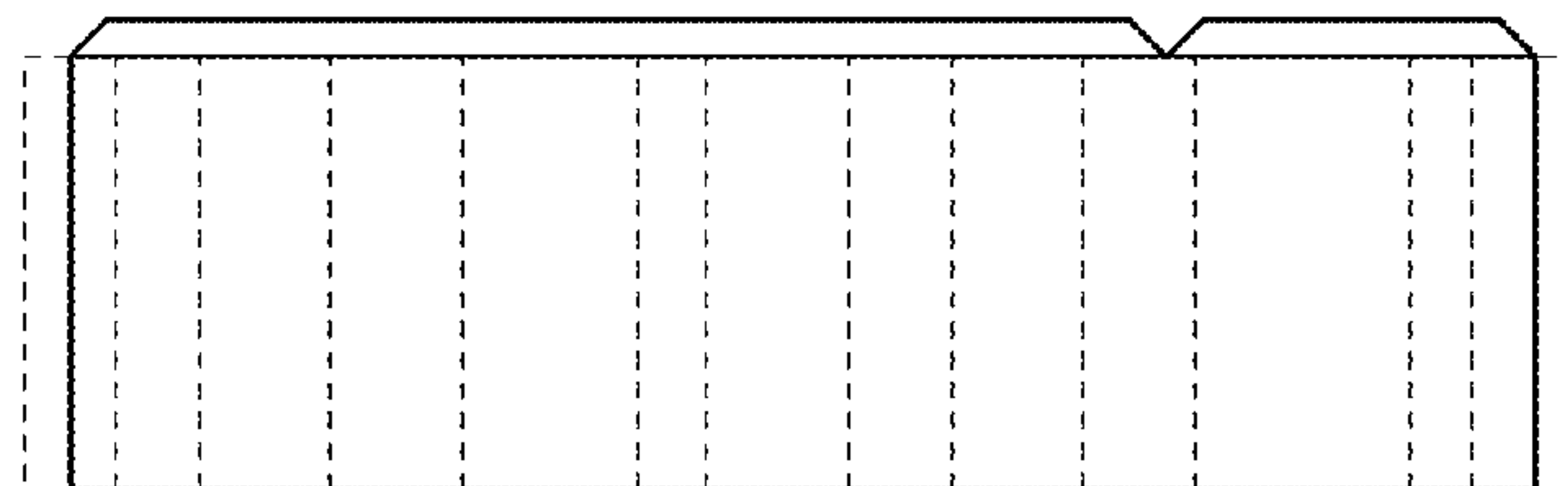


Figure 24

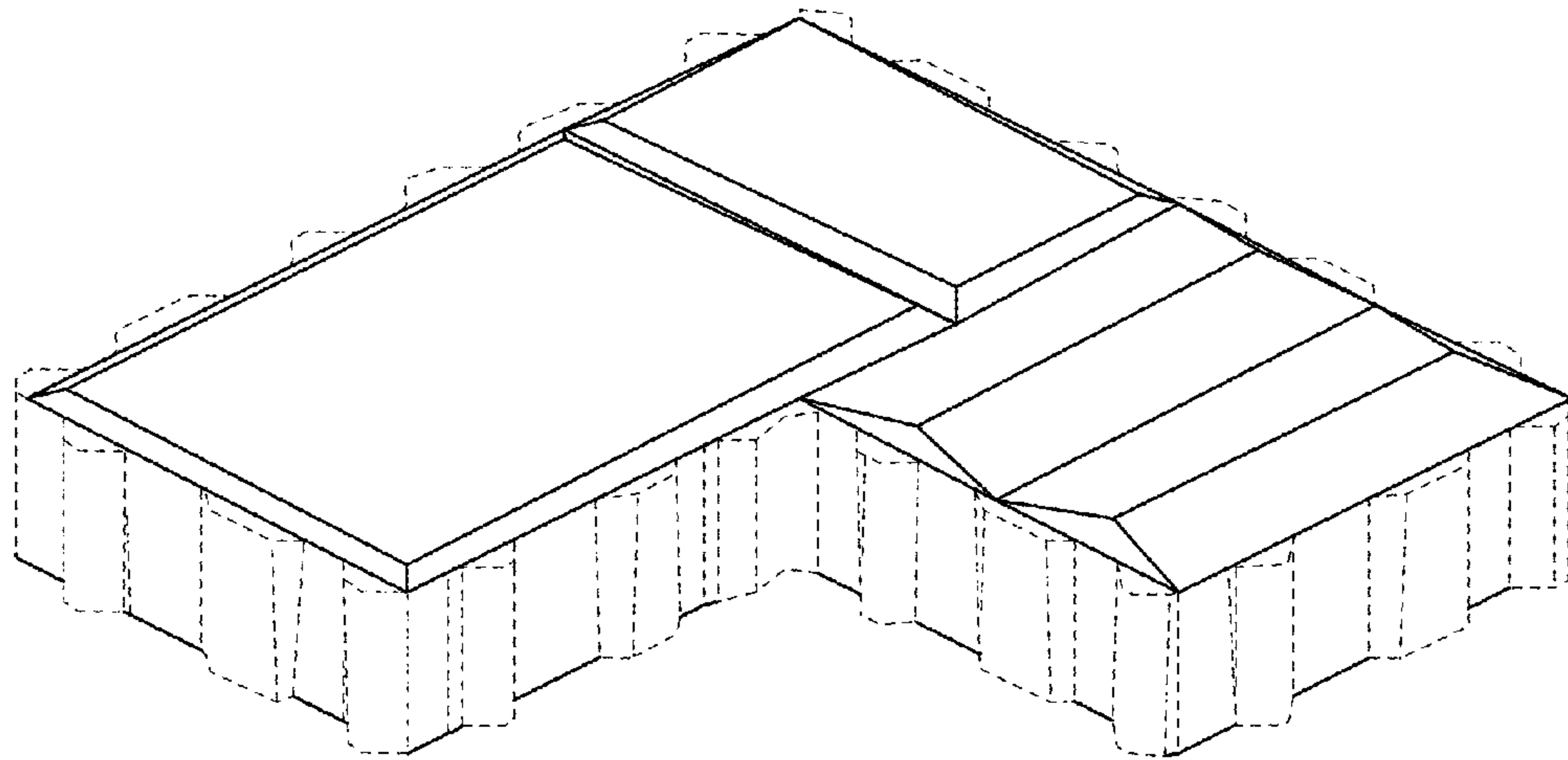


Figure 25

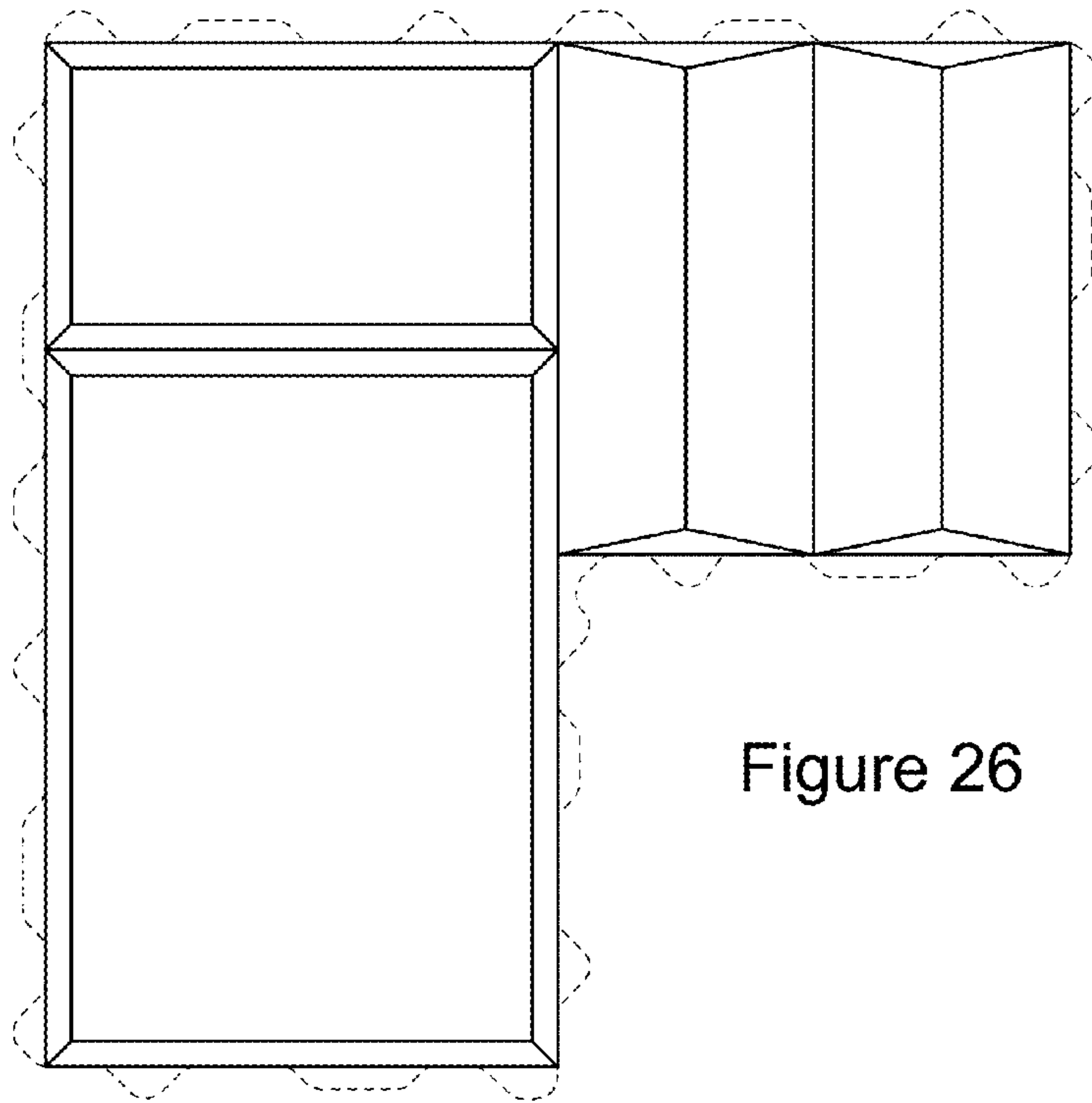


Figure 26

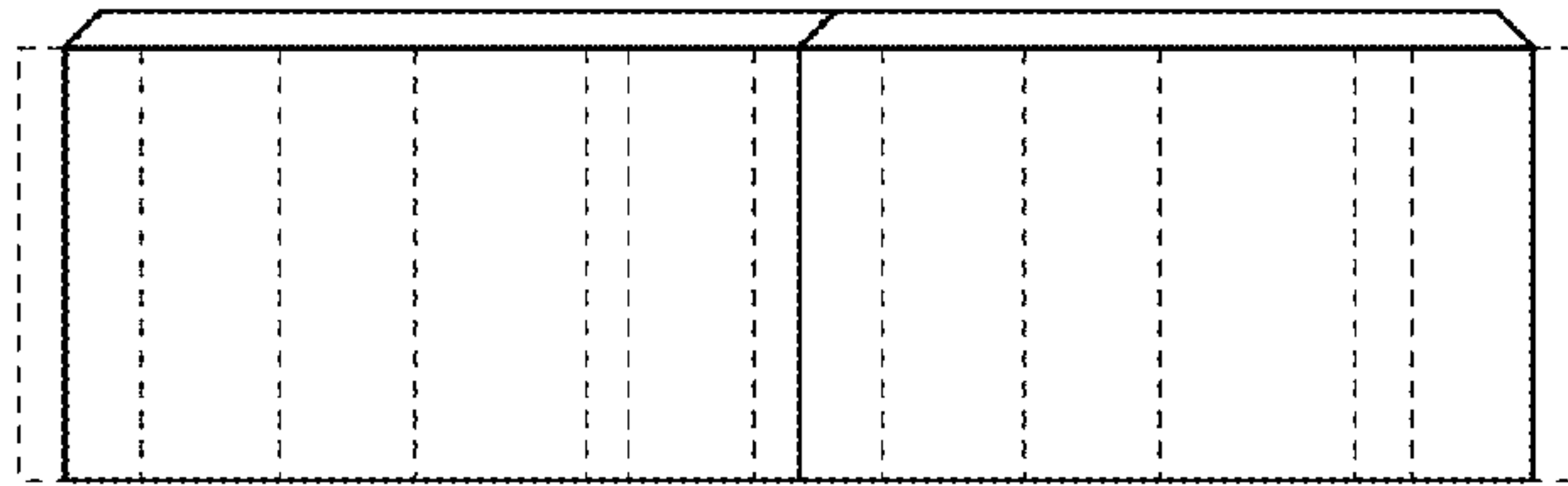


Figure 27

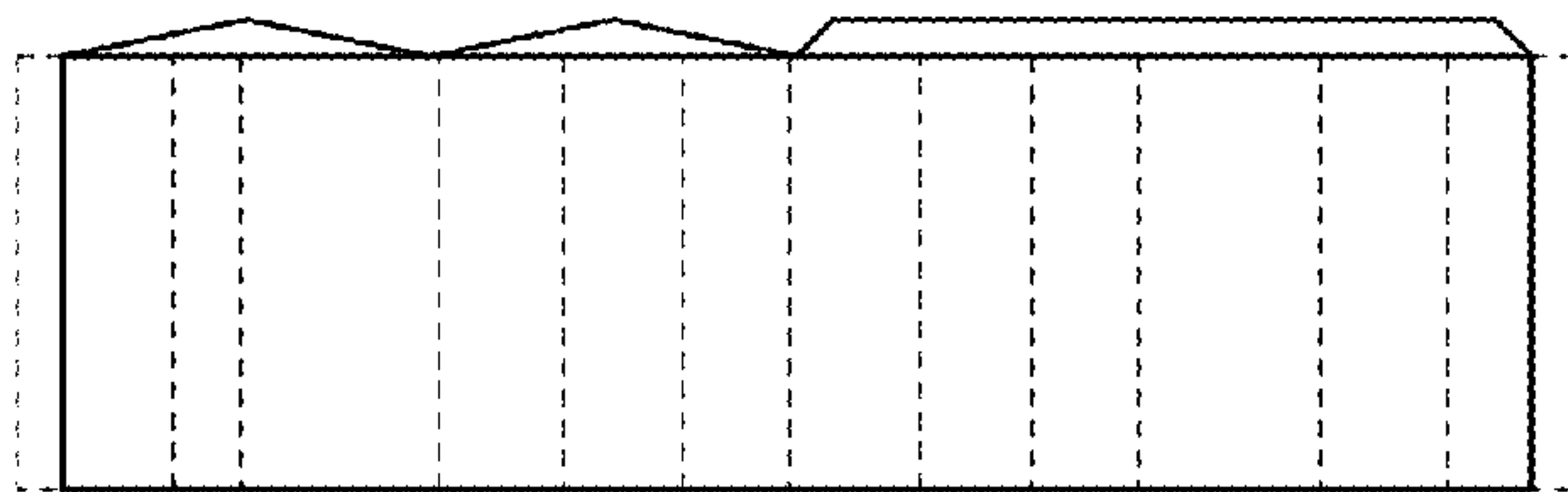


Figure 28

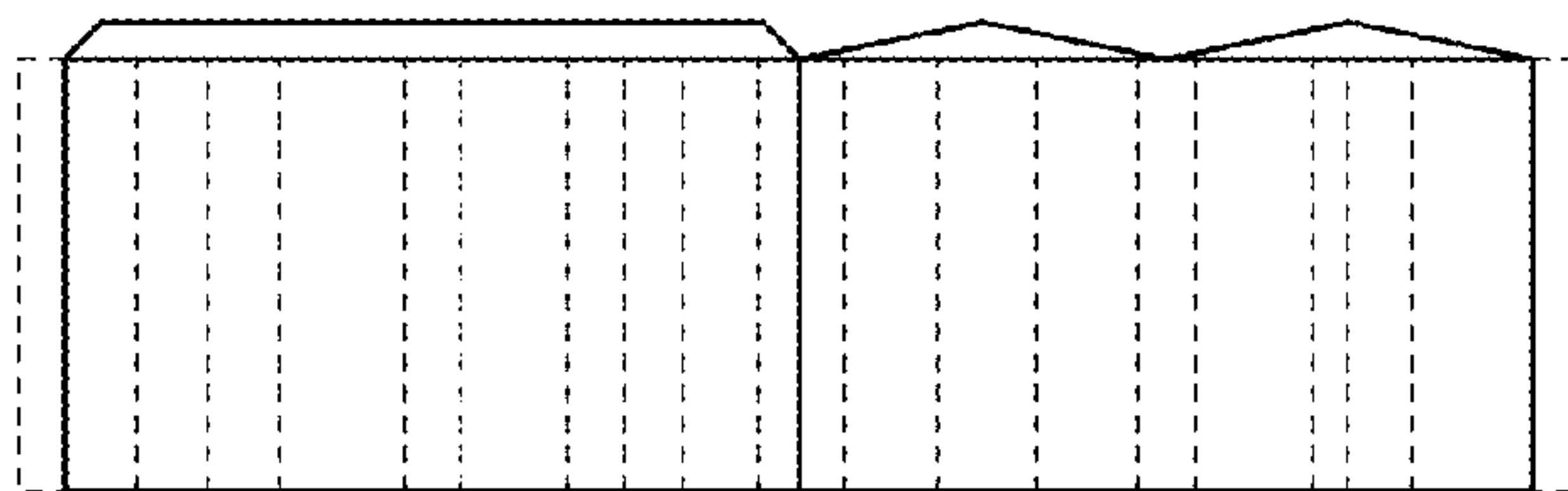


Figure 29

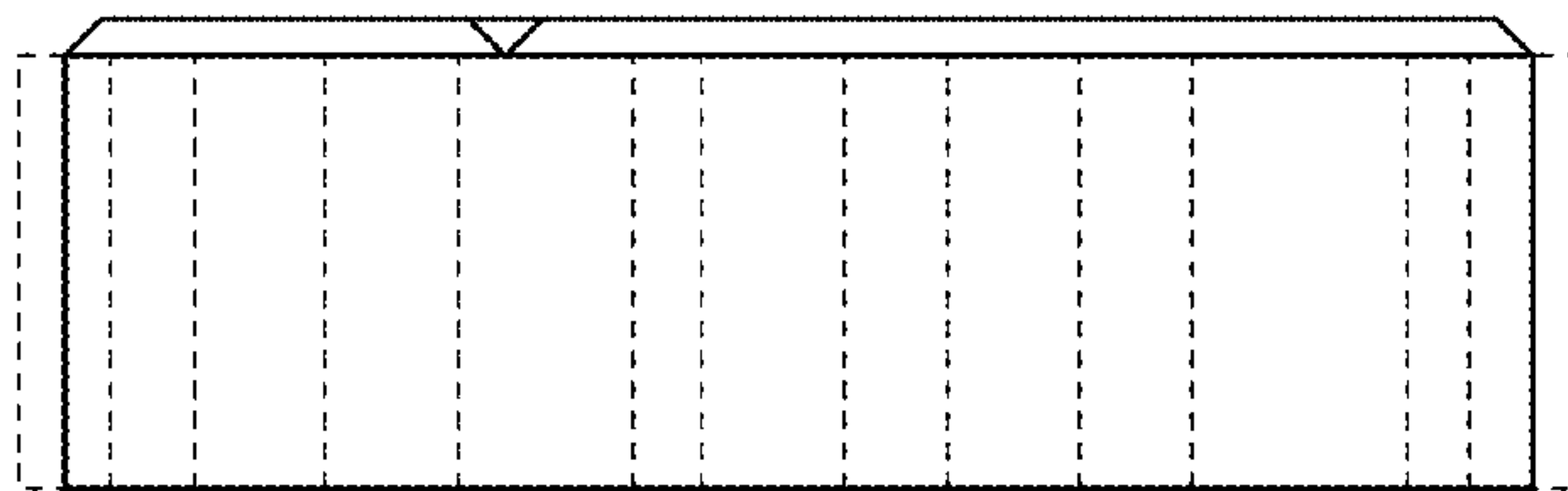


Figure 30

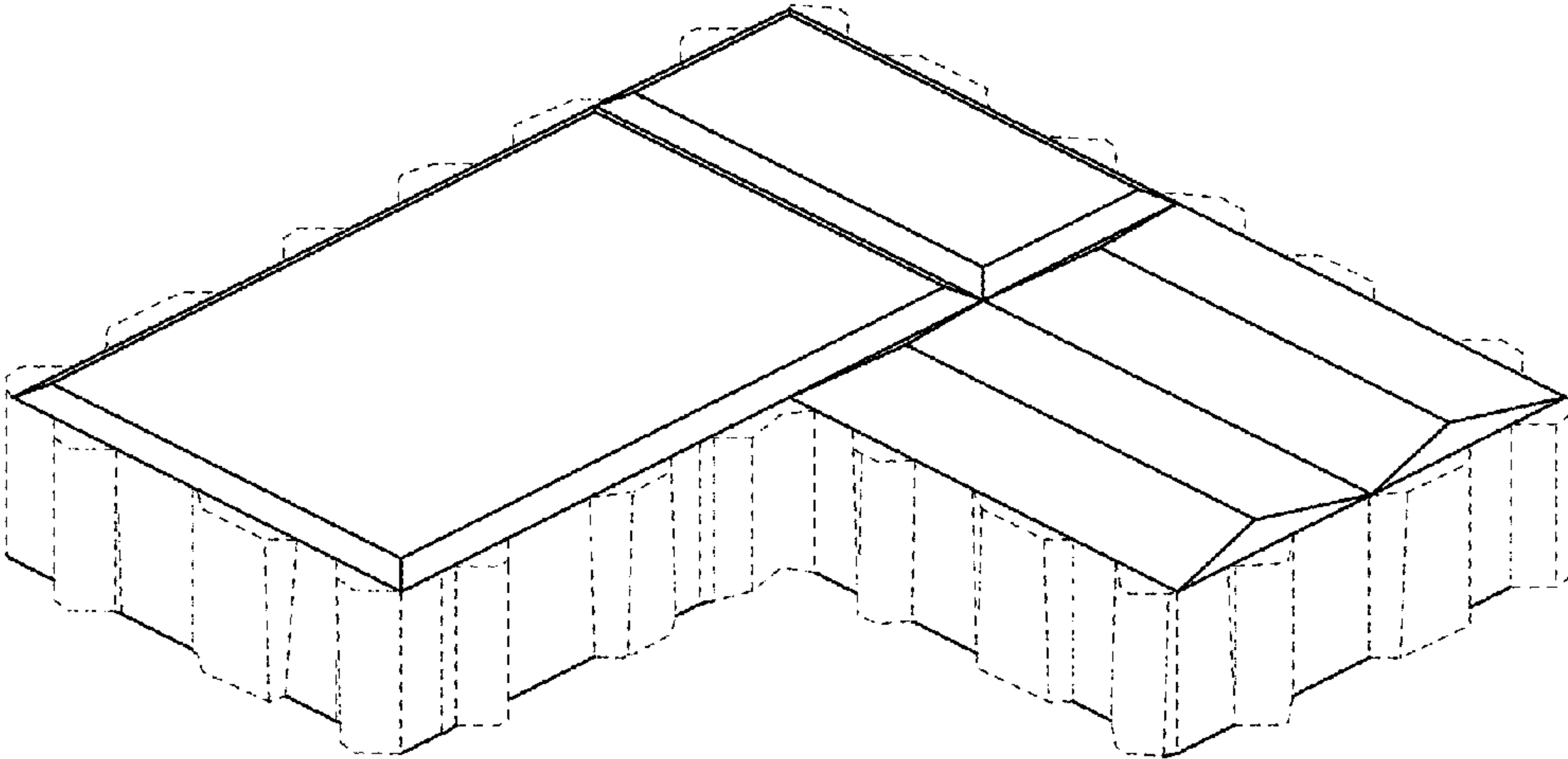


Figure 31

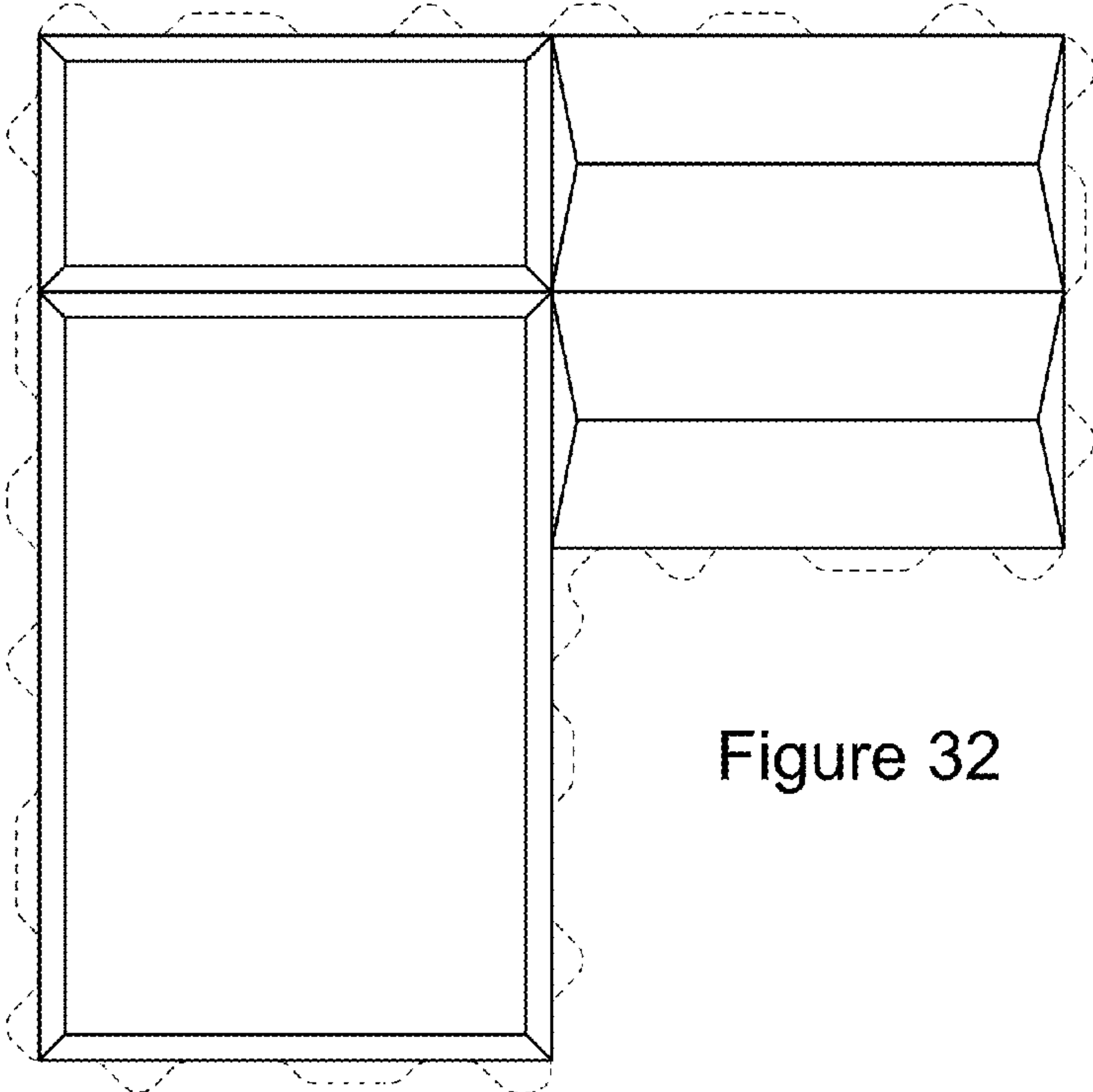


Figure 32

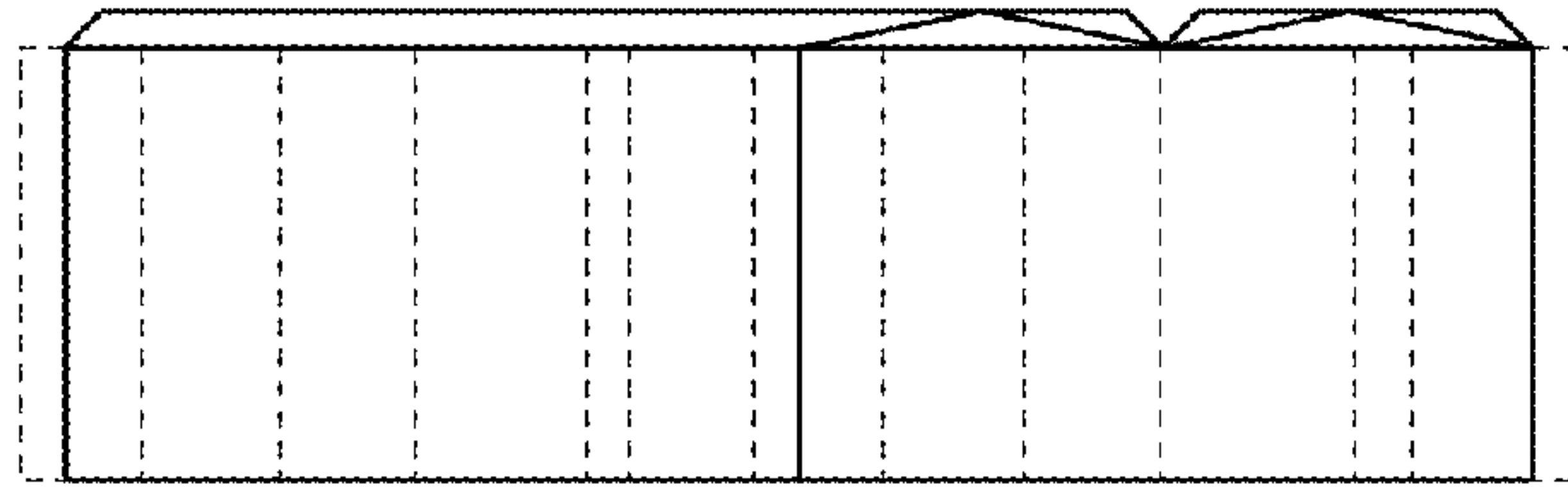


Figure 33

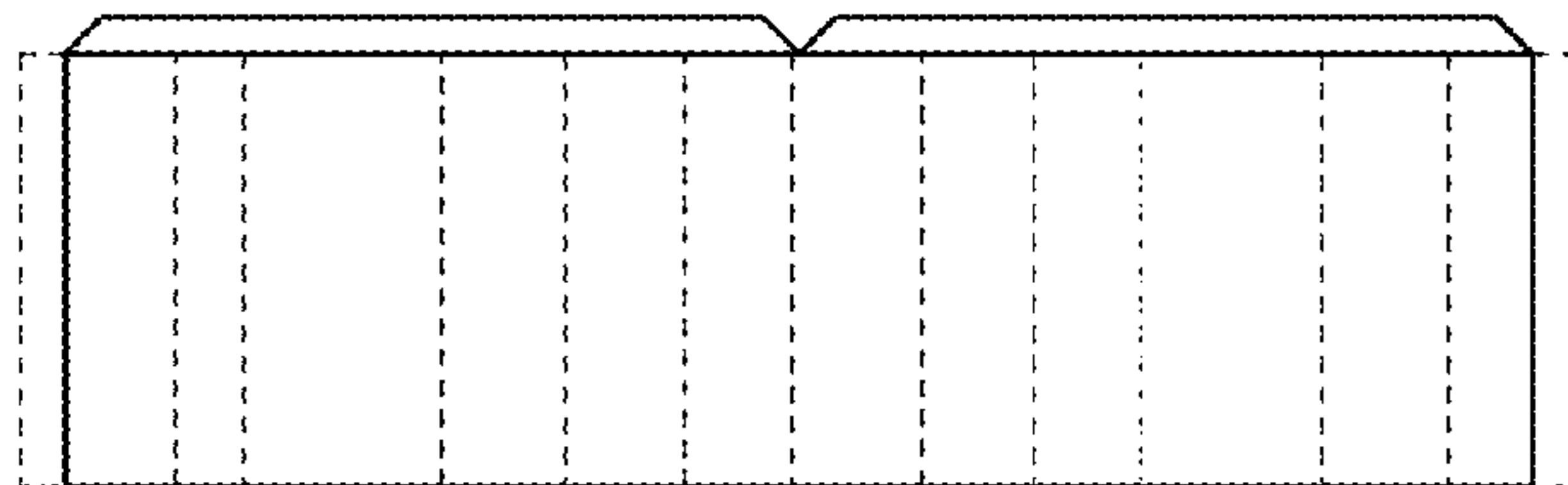


Figure 34

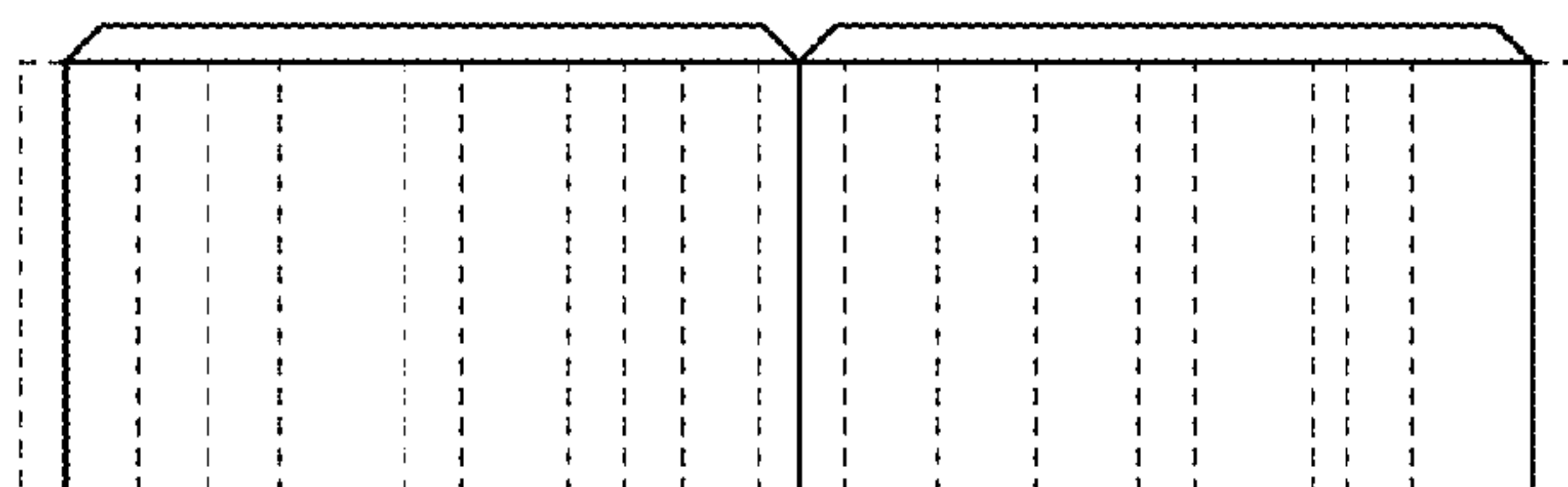


Figure 35

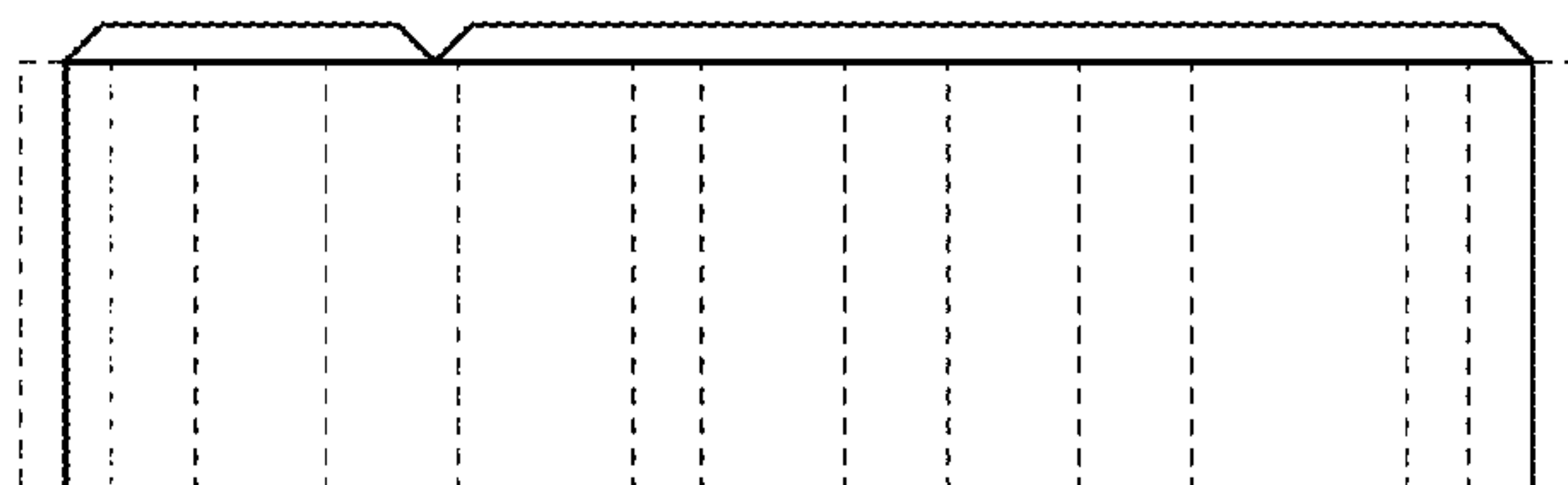


Figure 36