

US00D762876S

(12) **United States Design Patent**  
**Karashima**

(10) **Patent No.:** **US D762,876 S**  
(45) **Date of Patent:** **\*\* Aug. 2, 2016**

- (54) **PARTITION PANEL**
- (71) Applicant: **OKAMURA CORPORATION**,  
Yokohama-shi, Kanagawa (JP)
- (72) Inventor: **Takashi Karashima**, Yokohama (JP)
- (73) Assignee: **Okamura Corporation**, Kanagawa (JP)
- (\*\*) Term: **14 Years**
- (21) Appl. No.: **29/522,422**
- (22) Filed: **Mar. 31, 2015**
- (30) **Foreign Application Priority Data**

Oct. 7, 2014 (JP) ..... 2014-022360

- (51) **LOC (10) Cl.** ..... **25-02**
- (52) **U.S. Cl.**  
USPC ..... **D25/58; D6/643**
- (58) **Field of Classification Search**  
USPC ..... D6/332, 641, 643, 648, 650, 650.1,  
D6/656; D25/16, 58, 138; 52/36.1, 36.5,  
52/220.7, 238.1, 239-243, 272, 481.2,  
52/745.09; 108/48, 59, 60, 64, 96;  
160/135, 137, 161, 351; 312/195, 238,  
312/245, 304  
CPC ..... A47B 95/008; E04B 2/7425  
See application file for complete search history.

(56) **References Cited**

**U.S. PATENT DOCUMENTS**

- 2,636,224 A \* 4/1953 Murdoch ..... E04B 2/7425  
108/48
- 4,774,792 A \* 10/1988 Ballance ..... E04B 2/7431  
160/135
- D304,529 S \* 11/1989 Hontz ..... D6/332
- D402,476 S \* 12/1998 Thorp ..... D6/332
- D407,501 S \* 3/1999 Shipman ..... D25/138

- 5,901,513 A \* 5/1999 Mollenkopf ..... A47B 21/06  
108/182
- 6,115,977 A \* 9/2000 Hornberger ..... A47B 95/008  
52/238.1
- 6,349,516 B1 \* 2/2002 Powell ..... E04B 2/7437  
52/220.7
- D457,737 S \* 5/2002 Citterio ..... D6/332
- 6,389,773 B1 \* 5/2002 Reuter ..... E04B 2/7425  
160/135
- 6,684,929 B2 \* 2/2004 MacDonald ..... E04B 2/7425  
160/135
- 6,775,953 B2 \* 8/2004 Burken ..... E04B 2/7425  
52/238.1
- D651,416 S \* 1/2012 Martin ..... D6/332
- D728,127 S \* 4/2015 Way ..... D25/58
- D740,057 S \* 10/2015 Bouroullec ..... D6/643.1
- 2005/0000168 A1 \* 1/2005 Wright ..... E04B 2/7427  
52/36.1

\* cited by examiner

*Primary Examiner* — Susan Bennett Hattan

*Assistant Examiner* — Leanne Was

(74) *Attorney, Agent, or Firm* — Sughrue Mion, PLLC

(57) **CLAIM**

The ornamental design for a partition panel, as shown and described.

**DESCRIPTION**

FIG. 1 is a perspective view of a partition panel.  
 FIG. 2 is a front elevation view thereof.  
 FIG. 3 is a rear elevation view thereof.  
 FIG. 4 is a top plan view thereof.  
 FIG. 5 is a bottom plan view thereof.  
 FIG. 6 is a left side elevation view thereof.  
 FIG. 7 is an enlarged cross-sectional view taken along the line 7-7 in FIG. 4; and,  
 FIG. 8 is a referential view showing use thereof.  
 The broken lines shown in the drawings illustrate portions of the partition panel that form no part of the claimed design.

**1 Claim, 8 Drawing Sheets**

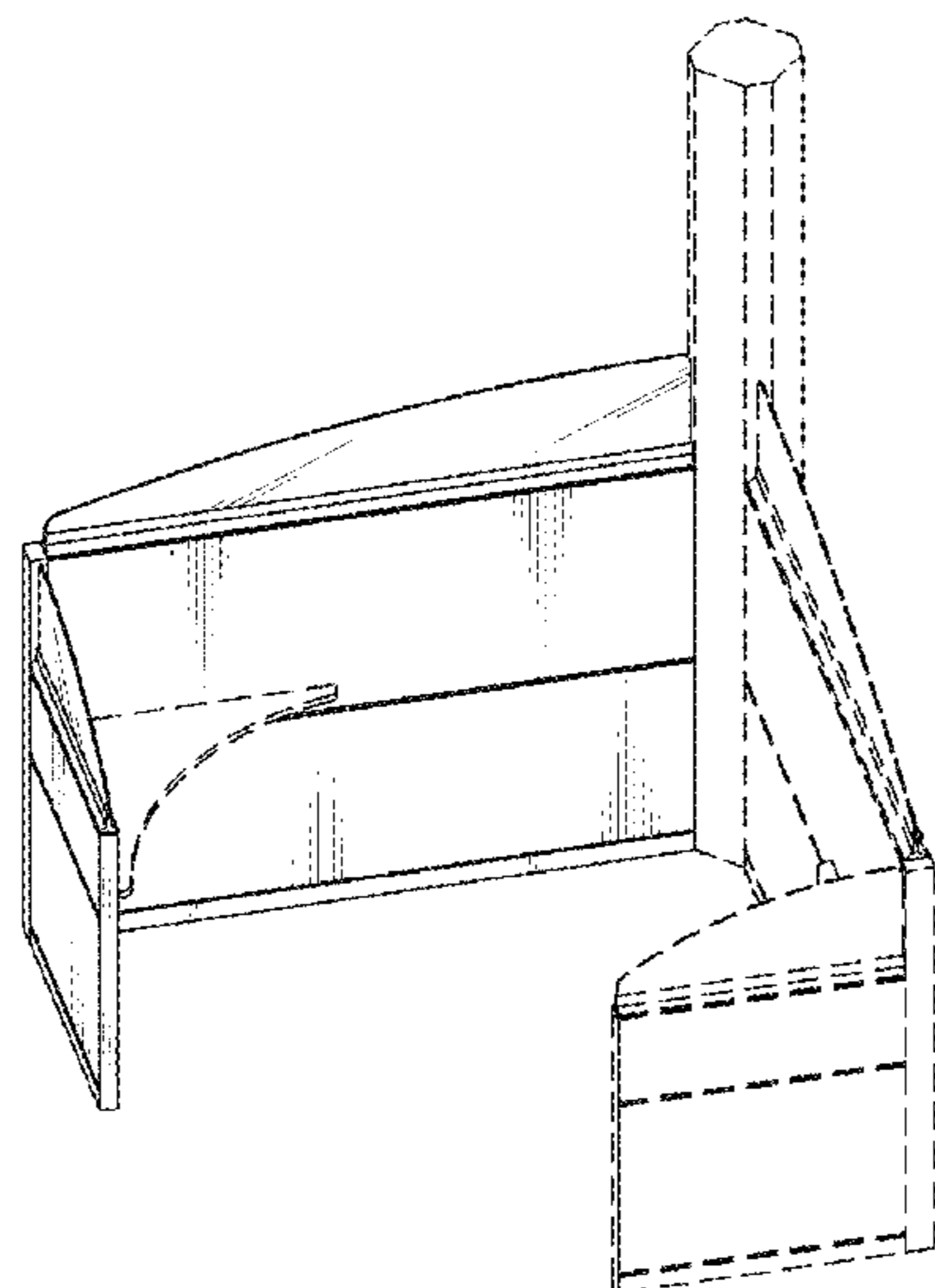


FIG. 1

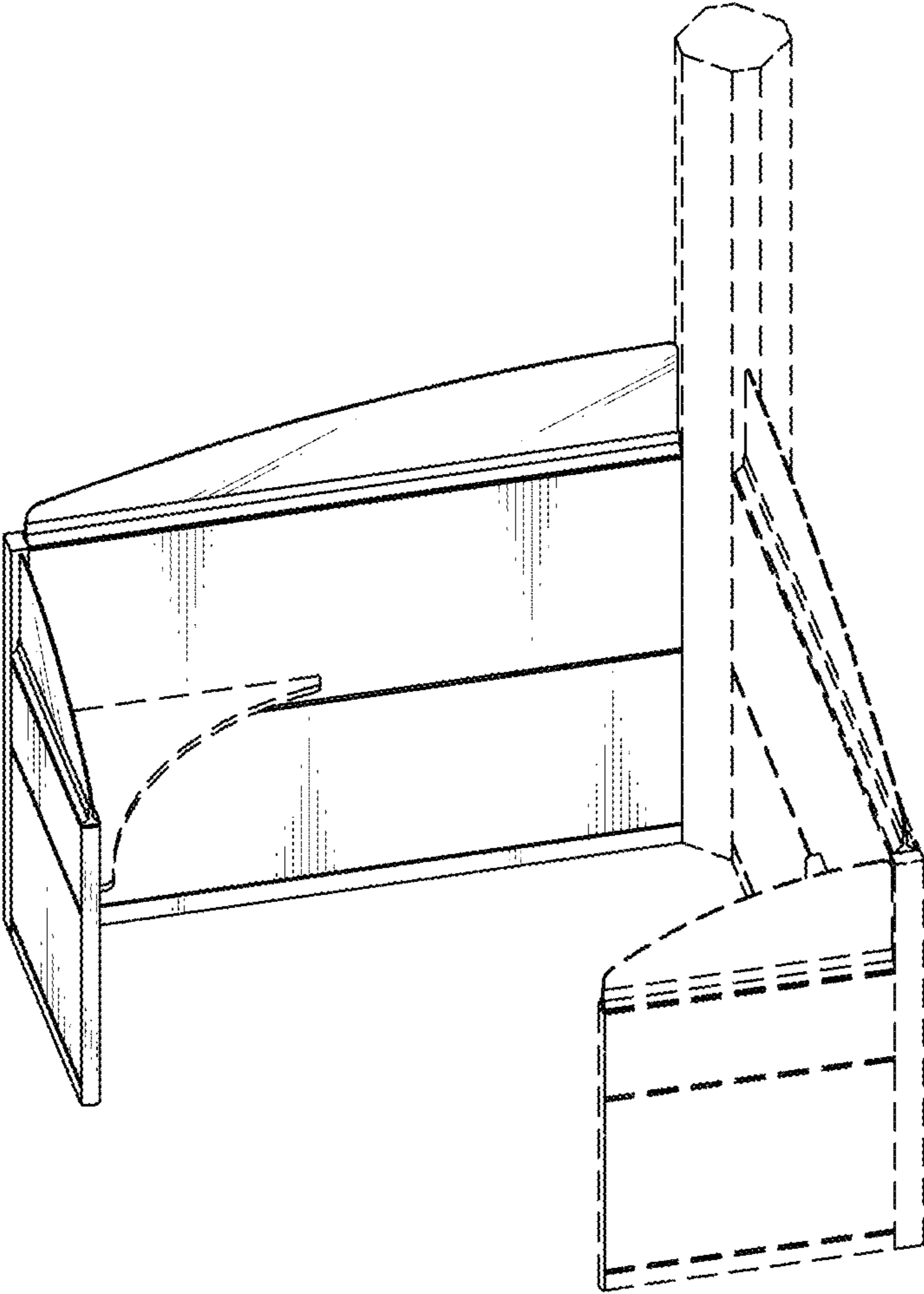


FIG. 2

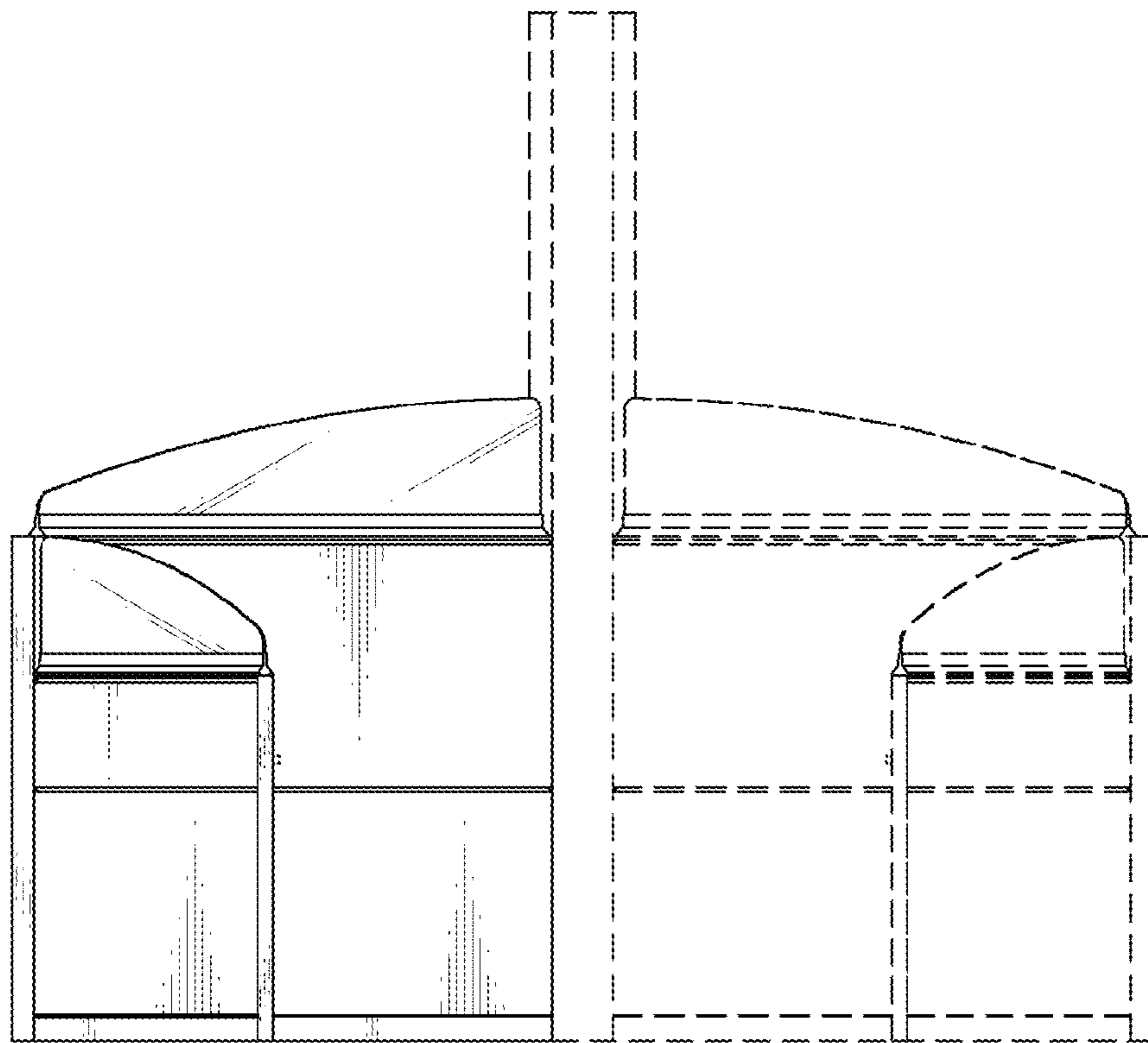


FIG. 3

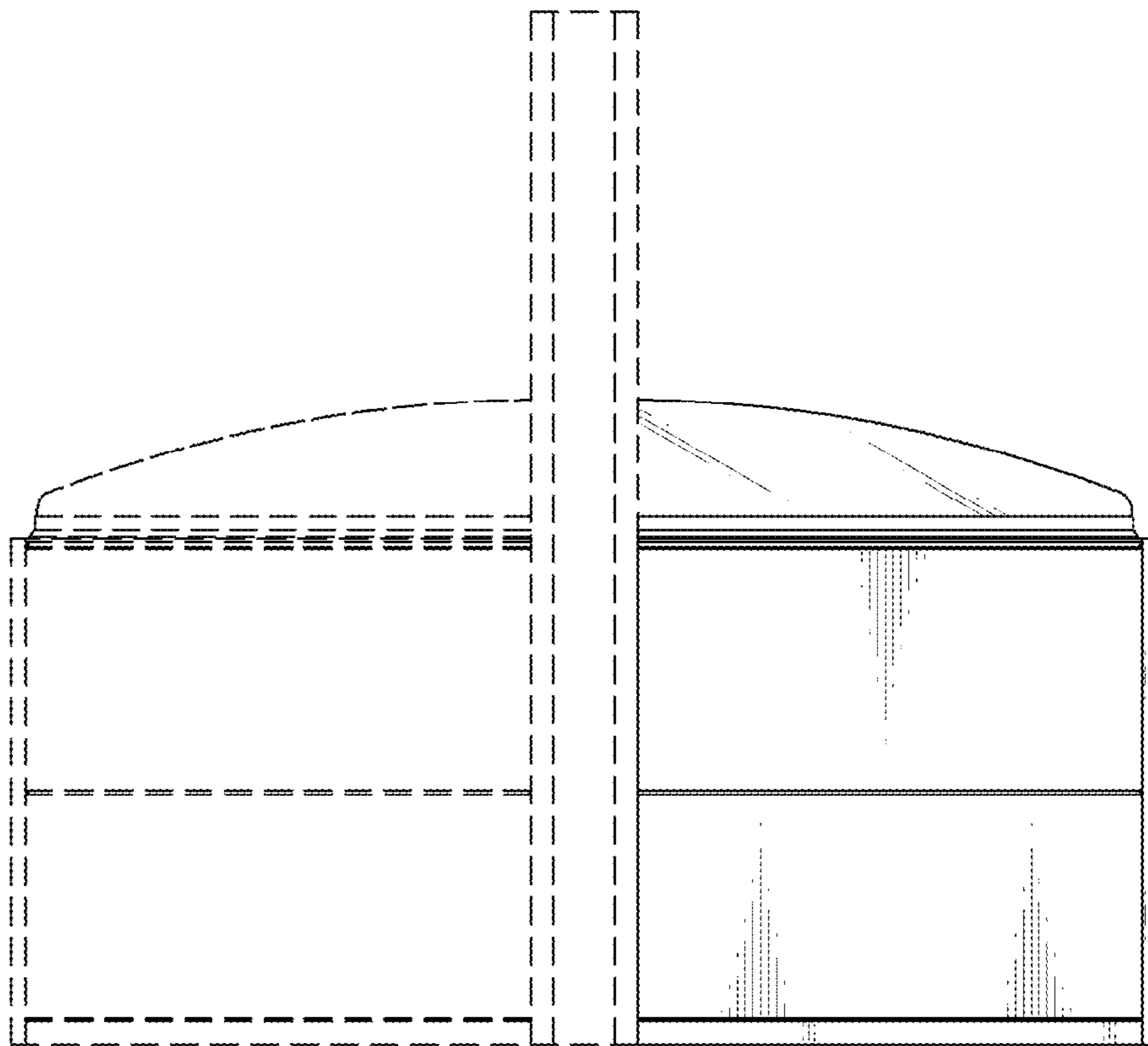


FIG. 4

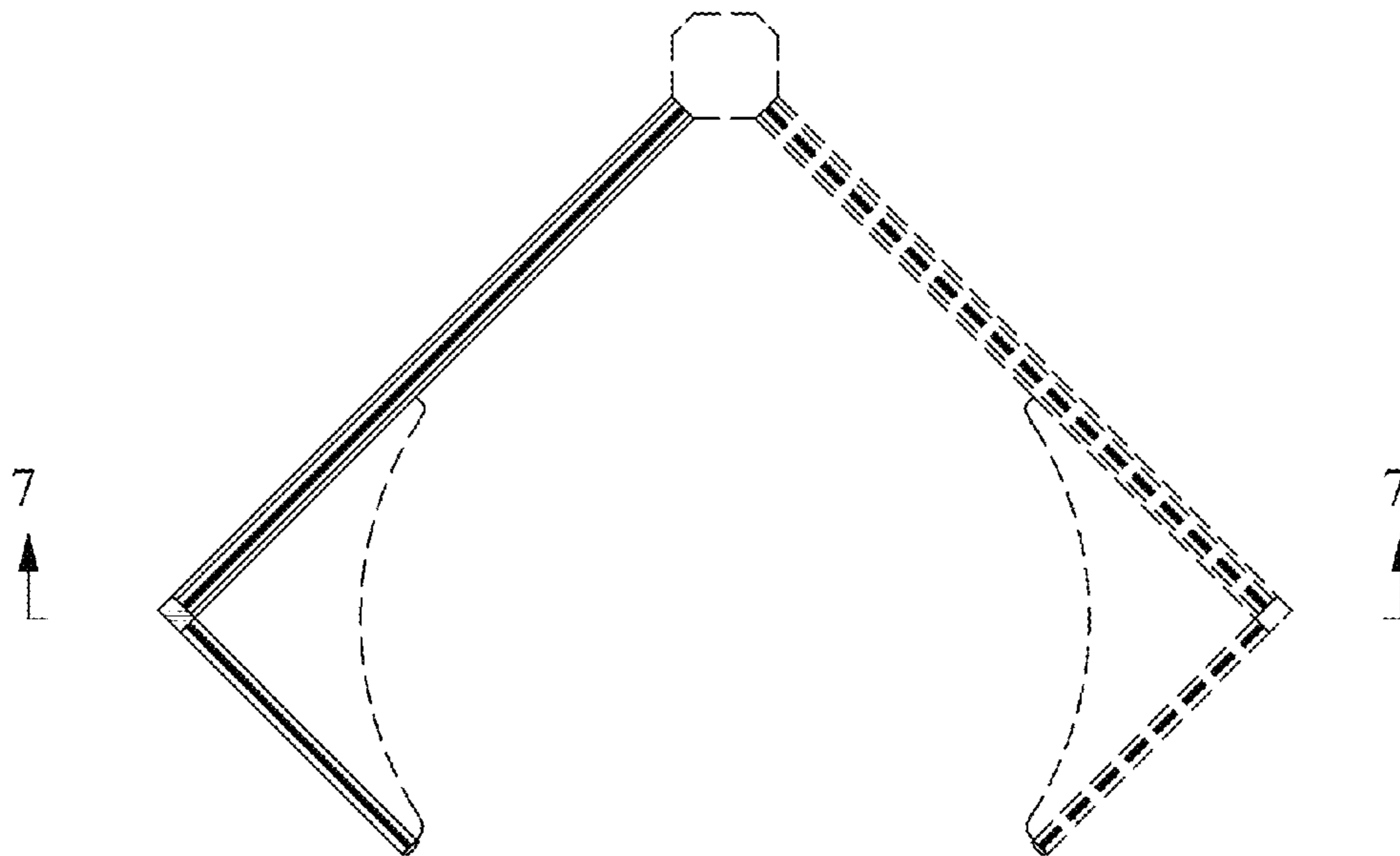


FIG. 5

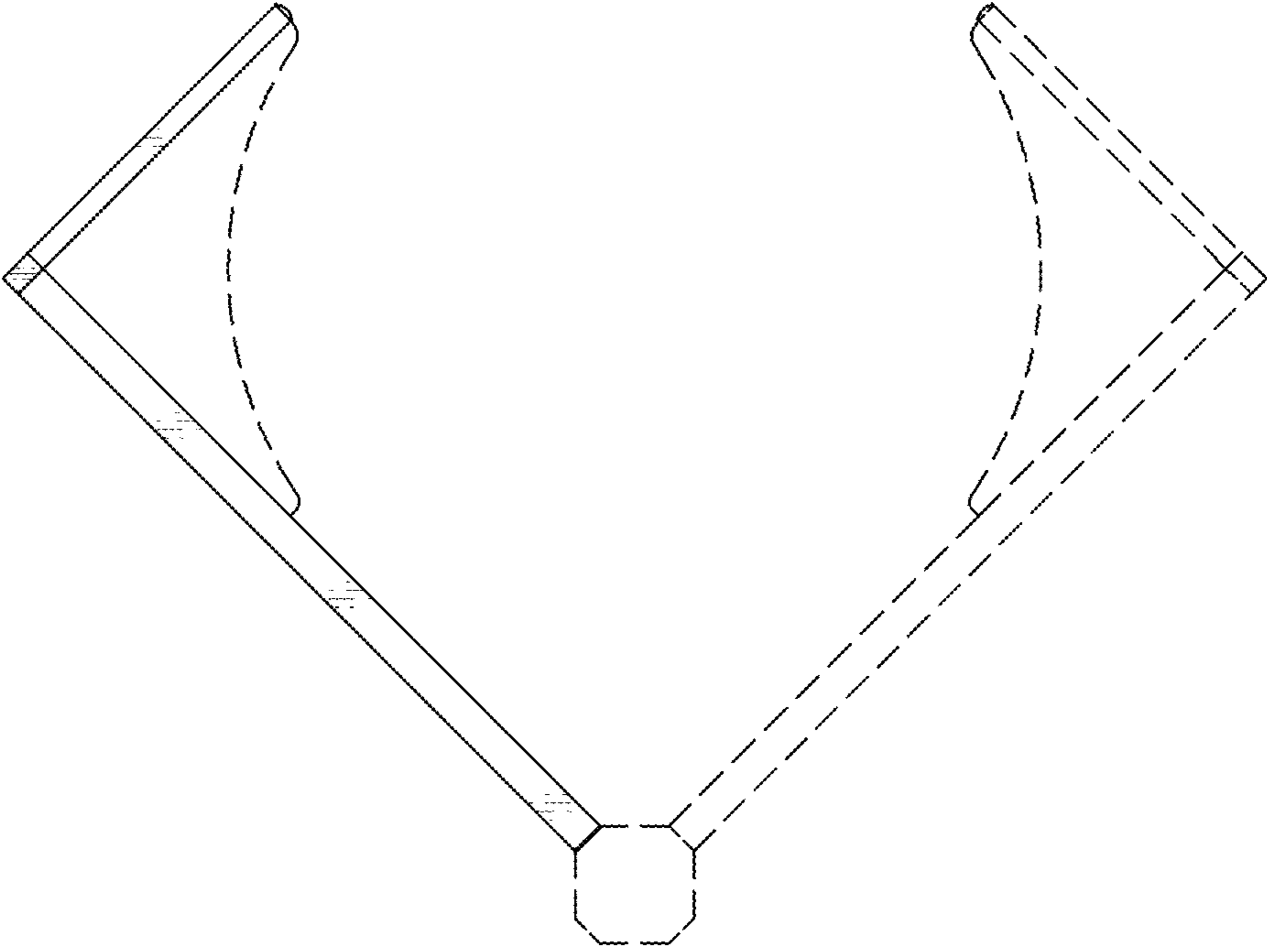


FIG. 6

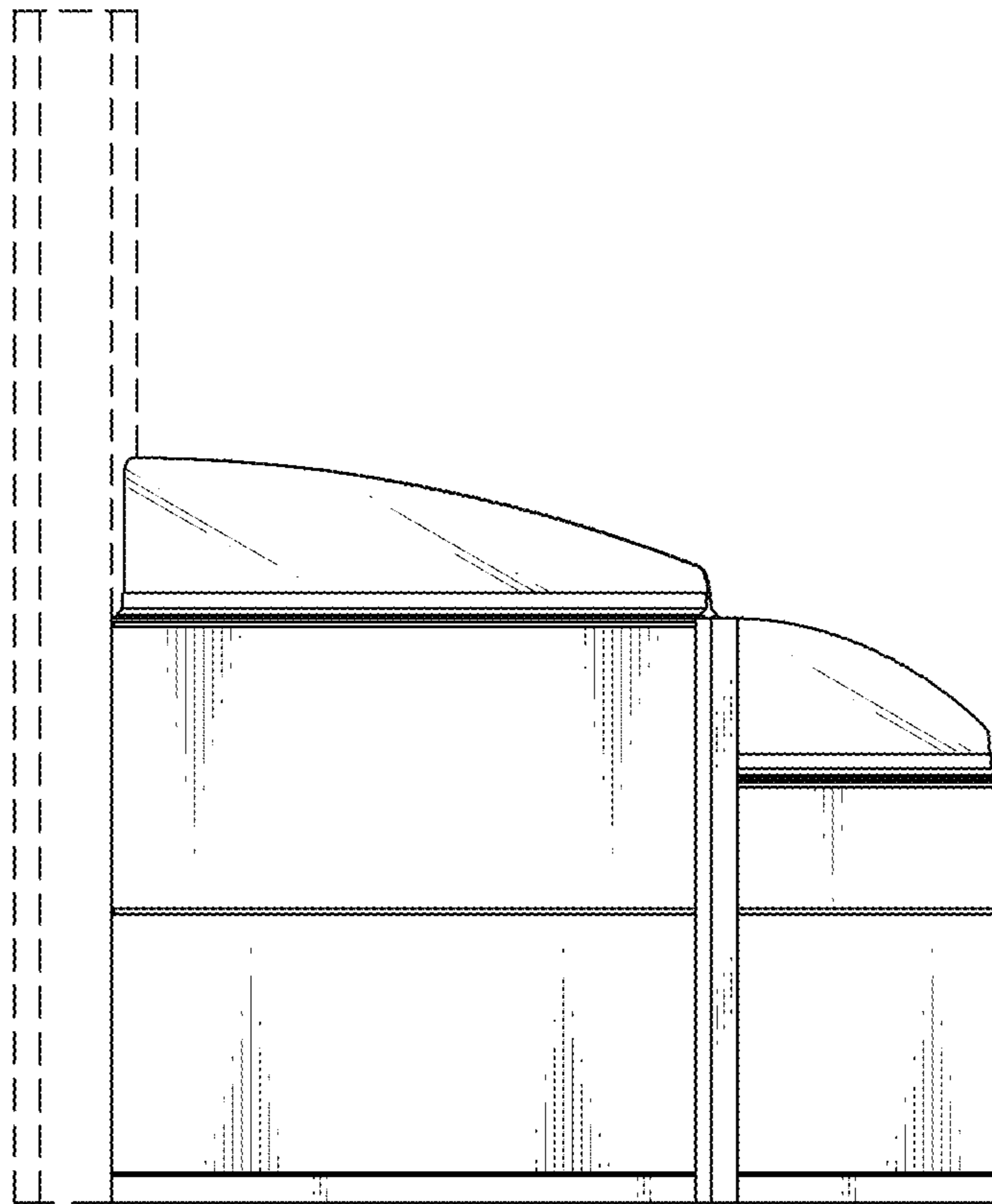


FIG. 7

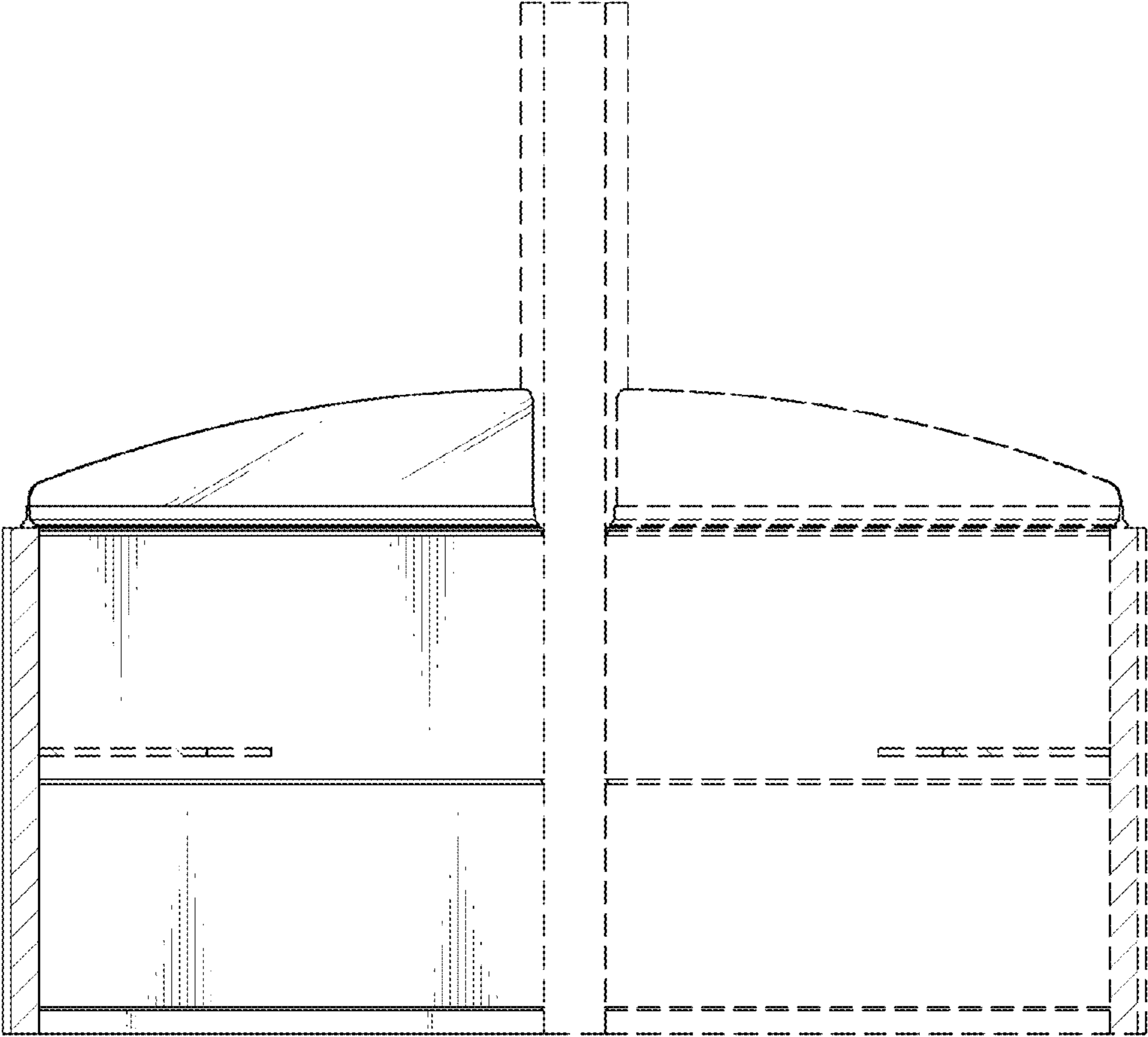




FIG. 8

