

US00D762875S

(12) **United States Design Patent**
Lui

(10) **Patent No.:** **US D762,875 S**
(45) **Date of Patent:** **** Aug. 2, 2016**

(54) **SHIPPING CONTAINER**

(71) Applicant: **Theranos, Inc.**, Palo Alto, CA (US)

(72) Inventor: **Clarissa Lui**, Palo Alto, CA (US)

(73) Assignee: **Theranos, Inc.**, Palo Alto, CA (US)

(**) Term: **15 Years**

(21) Appl. No.: **29/529,095**

(22) Filed: **Jun. 3, 2015**

Related U.S. Application Data

(63) Continuation of application No. 29/466,710, filed on Sep. 10, 2013, now Pat. No. Des. 733,317, which is a continuation-in-part of application No. 29/466,440, filed on Sep. 8, 2013, now Pat. No. Des. 732,686, and a continuation-in-part of application No. 29/466,441, filed on Sep. 8, 2013, now Pat. No. Des. 733,314.

(51) **LOC (10) Cl.** **24-02**

(52) **U.S. Cl.**
USPC **D24/227**

(58) **Field of Classification Search**
USPC D24/216, 217, 224–232, 131;
D3/203.1–203.6, 272; D9/420, 423,
D9/430, 432, 424, 732, 629, 429; 220/793,
220/839, 258.3; 206/83, 528, 438, 63.5,
206/815, 508; 422/560–564; 435/305.1,
435/288.3, 288.4

CPC B65D 2543/00296; B65D 43/162;
B65D 51/20; B65D 85/42; A61C 19/008;
A61C 19/02; A61F 2/0095; B01L 9/06;
B01L 3/5085; C12M 1/24; C12M 23/08

See application file for complete search history.

(56) **References Cited**

U.S. PATENT DOCUMENTS

D264,810 S * 6/1982 Voltmann D3/203.3
4,401,229 A * 8/1983 Bell B65D 43/168
220/258.3
D271,239 S * 11/1983 Lemieux D24/230

(Continued)

OTHER PUBLICATIONS

Notice of Allowance dated Oct. 5, 2015 for U.S. Appl. No. 29/528,999.

(Continued)

Primary Examiner — T. Chase Nelson

Assistant Examiner — Mark Cavanna

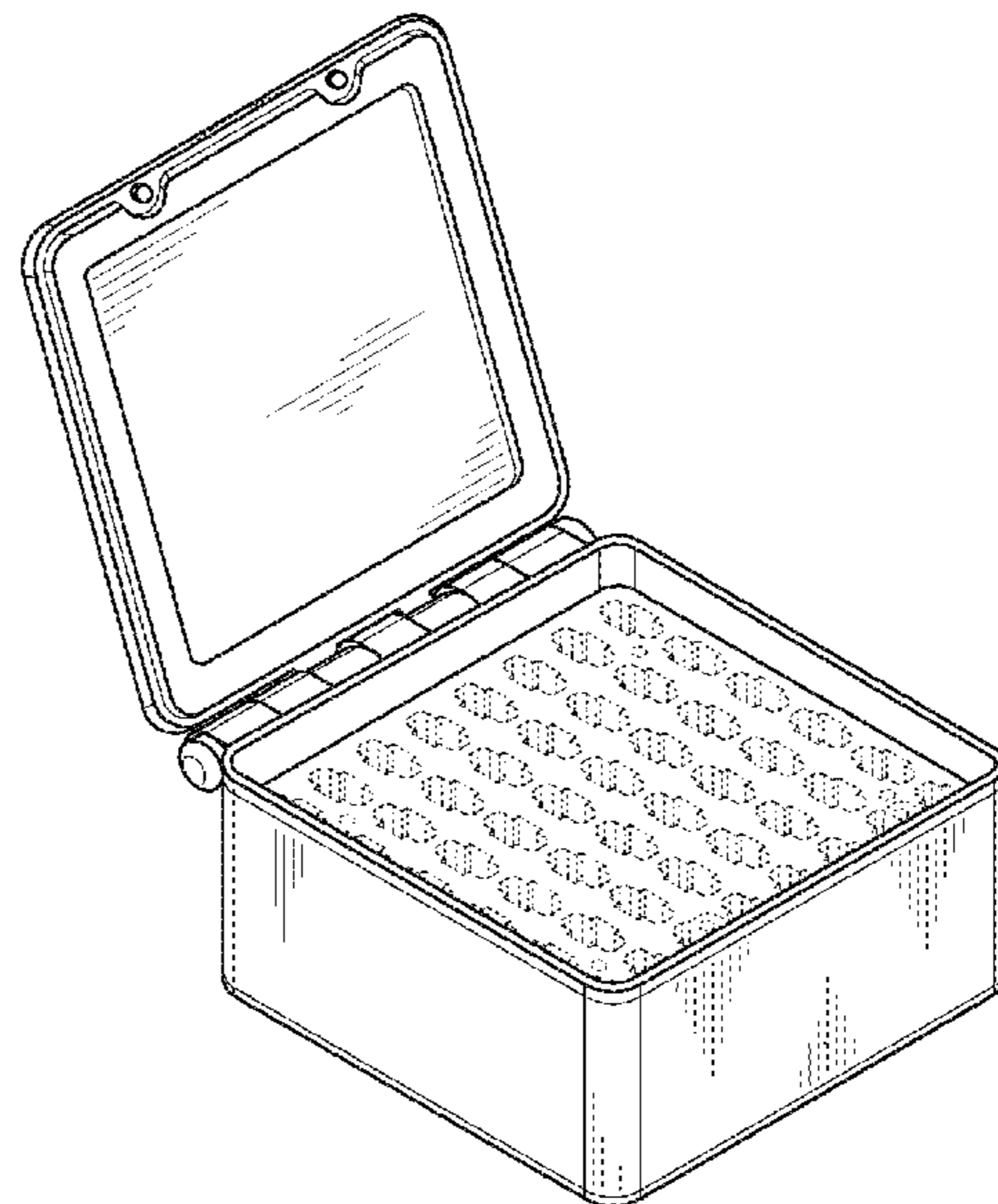
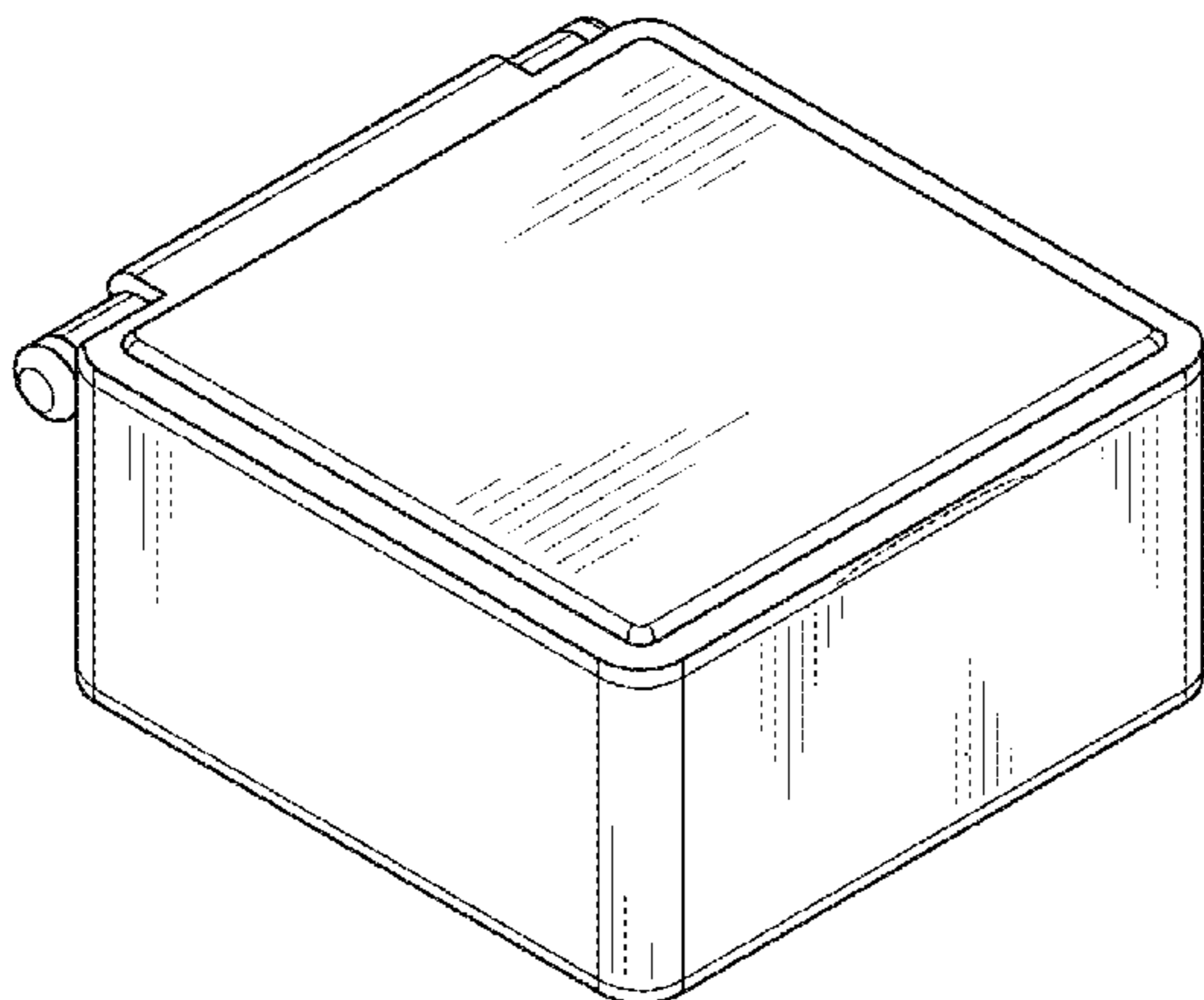
(57) **CLAIM**

The ornamental design for a shipping container, as shown and described.

DESCRIPTION

FIG. 1 is a top perspective view of a shipping container with a closed lid, showing our new design; FIG. 2 is a very enlarged side view thereof, with lid closed; FIG. 3 is a very reduced top view thereof with lid closed; FIG. 4 is an enlarged rear view thereof, with lid closed; and FIG. 5 is a bottom perspective view thereof with lid closed; FIG. 6 is a top perspective view of a shipping container with an open lid; FIG. 7 is a reduced side view thereof, with an open lid; FIG. 8 is a reduced top view thereof with an open lid; FIG. 9 is a reduced rear view thereof, with an open lid; and, FIG. 10 is a bottom perspective view thereof with an open lid. The broken lines are included for the purpose of illustrating unclaimed portions of the shipping container and form no part of the claimed design.

1 Claim, 5 Drawing Sheets



(56)

References Cited

U.S. PATENT DOCUMENTS

D278,412 S * 4/1985 Yeung D9/420
 D280,015 S * 8/1985 Sarajian D24/227
 D282,577 S * 2/1986 Neumeister D24/226
 D295,074 S * 4/1988 Jerge D24/217
 D299,955 S * 2/1989 Kendrick, Sr. D24/229
 D316,146 S * 4/1991 Payne D24/227
 5,012,928 A * 5/1991 Proffitt B65D 21/0233
 206/508
 D324,819 S * 3/1992 Eisenberg D3/203.3
 5,204,130 A * 4/1993 McDevitt A47G 19/30
 206/815
 D352,116 S * 11/1994 Kienholz D24/227
 D376,647 S * 12/1996 Marsh D24/131
 5,906,292 A * 5/1999 Rider, Jr. B65D 43/162
 220/839
 D411,308 S * 6/1999 Pandey D24/230
 D423,111 S * 4/2000 Davis D24/226
 D476,423 S * 6/2003 Picot D24/217
 D484,797 S * 1/2004 Kipperman D9/424
 D487,315 S * 3/2004 Picot D24/217
 6,875,405 B1 * 4/2005 Mathus B01L 9/06
 206/562
 D525,714 S * 7/2006 Ueda D24/227
 D526,064 S * 8/2006 Wood D24/229
 D529,622 S * 10/2006 Hadjis D24/229
 D543,120 S * 5/2007 Coe D9/732
 D551,515 S * 9/2007 Ablo D7/629

D574,505 S * 8/2008 Muller-Cohn D24/216
 D593,207 S * 5/2009 Ayliffe D24/229
 D618,516 S * 6/2010 DiPietro D7/629
 D664,845 S * 8/2012 Everson D7/629
 8,460,622 B2 * 6/2013 Motadel B01L 9/543
 422/564
 D698,938 S * 2/2014 Fonseca D24/224
 D699,370 S * 2/2014 Motadel D24/229
 D707,847 S * 6/2014 Motadel D24/227
 D711,549 S * 8/2014 Trump D24/224
 D711,550 S * 8/2014 Trump D24/224
 D732,686 S 6/2015 Lui
 D733,314 S 6/2015 Lui
 D733,315 S 6/2015 Lui
 D733,316 S 6/2015 Lui
 D733,317 S 6/2015 Lui
 D733,318 S 6/2015 Lui
 2007/0012710 A1 * 1/2007 Vovan B65D 43/162
 220/793

OTHER PUBLICATIONS

Office Action dated Oct. 10, 2014 for U.S. Appl. No. 29/466,739.
 Office Action dated Oct. 2, 2014 for U.S. Appl. No. 29/466,443.
 Office Action dated Oct. 2, 2014 for U.S. Appl. No. 29/466,710.
 Office Action dated Oct. 3, 2014 for U.S. Appl. No. 29/466,440.
 Office Action dated Oct. 3, 2014 for U.S. Appl. No. 29/466,441.
 Office Action dated Oct. 8, 2014 for U.S. Appl. No. 29/466,442.

* cited by examiner

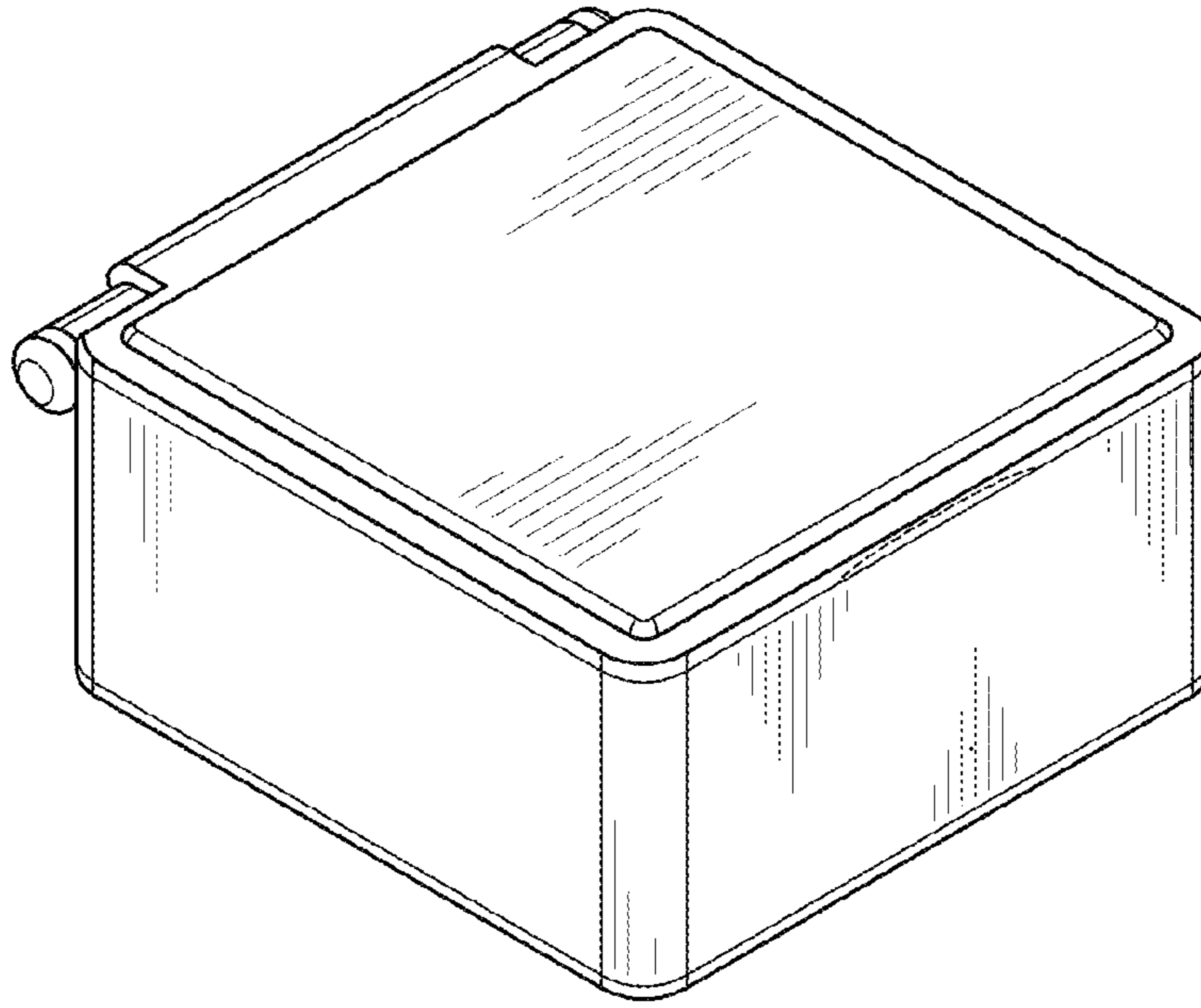


FIG. 1

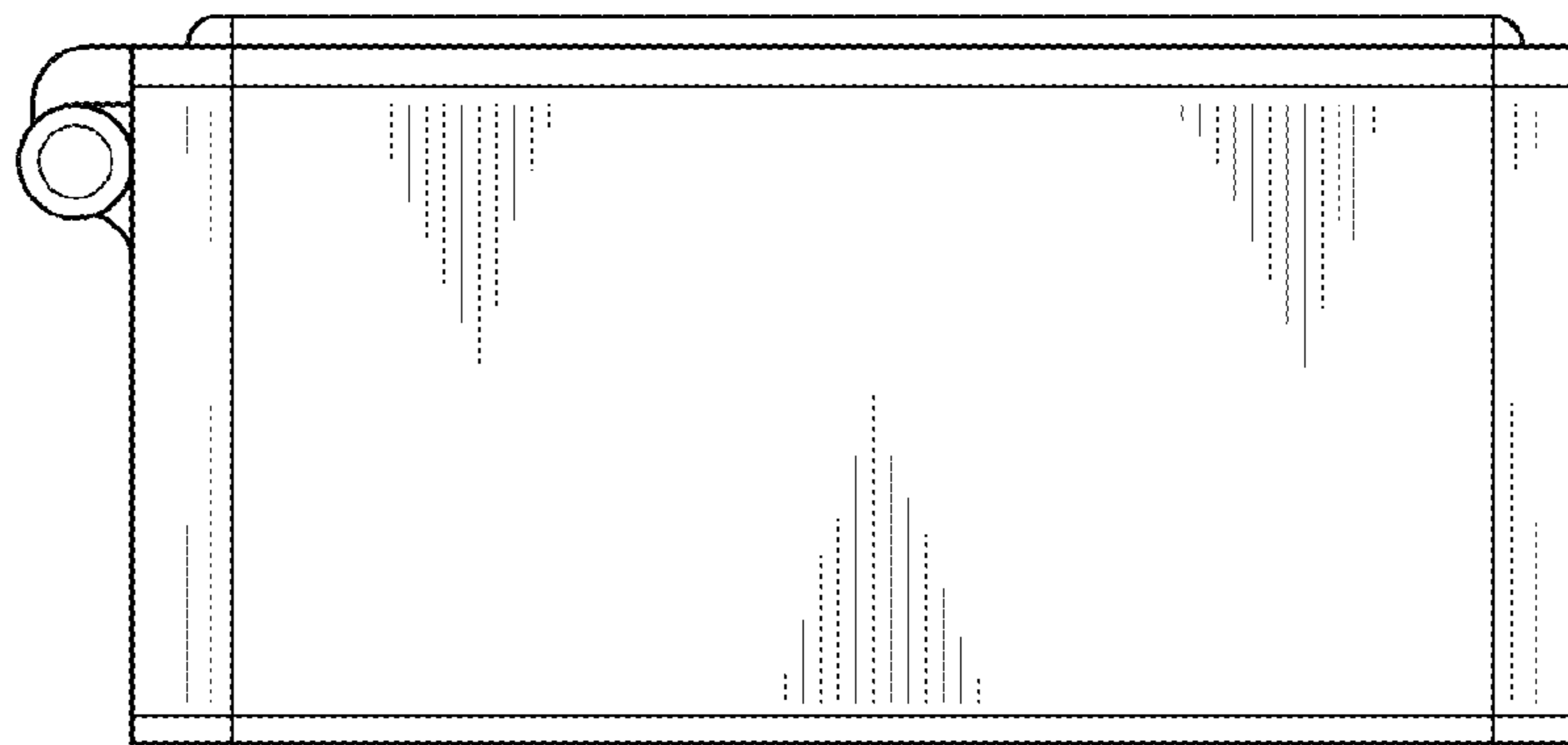


FIG. 2

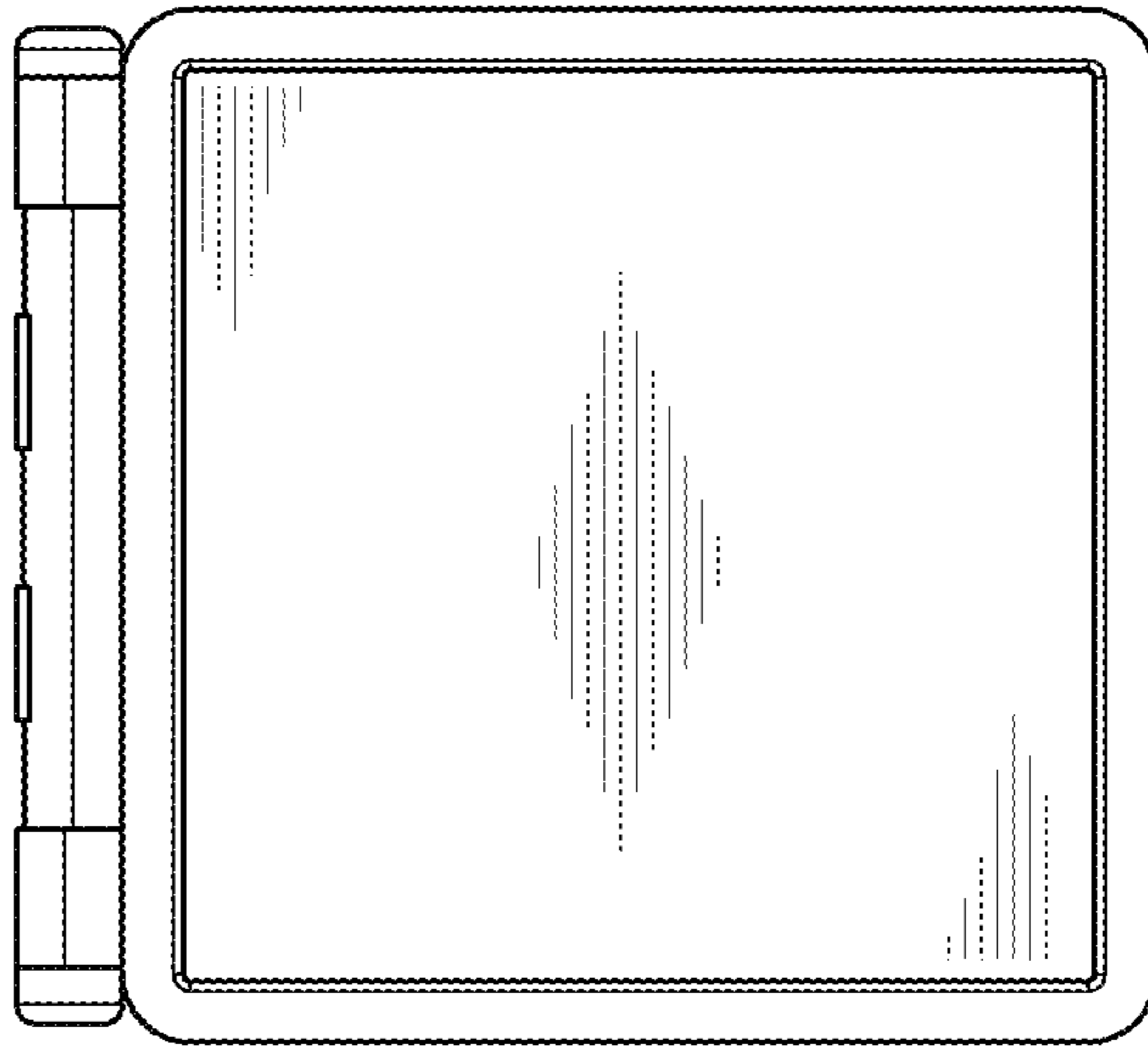


FIG. 3

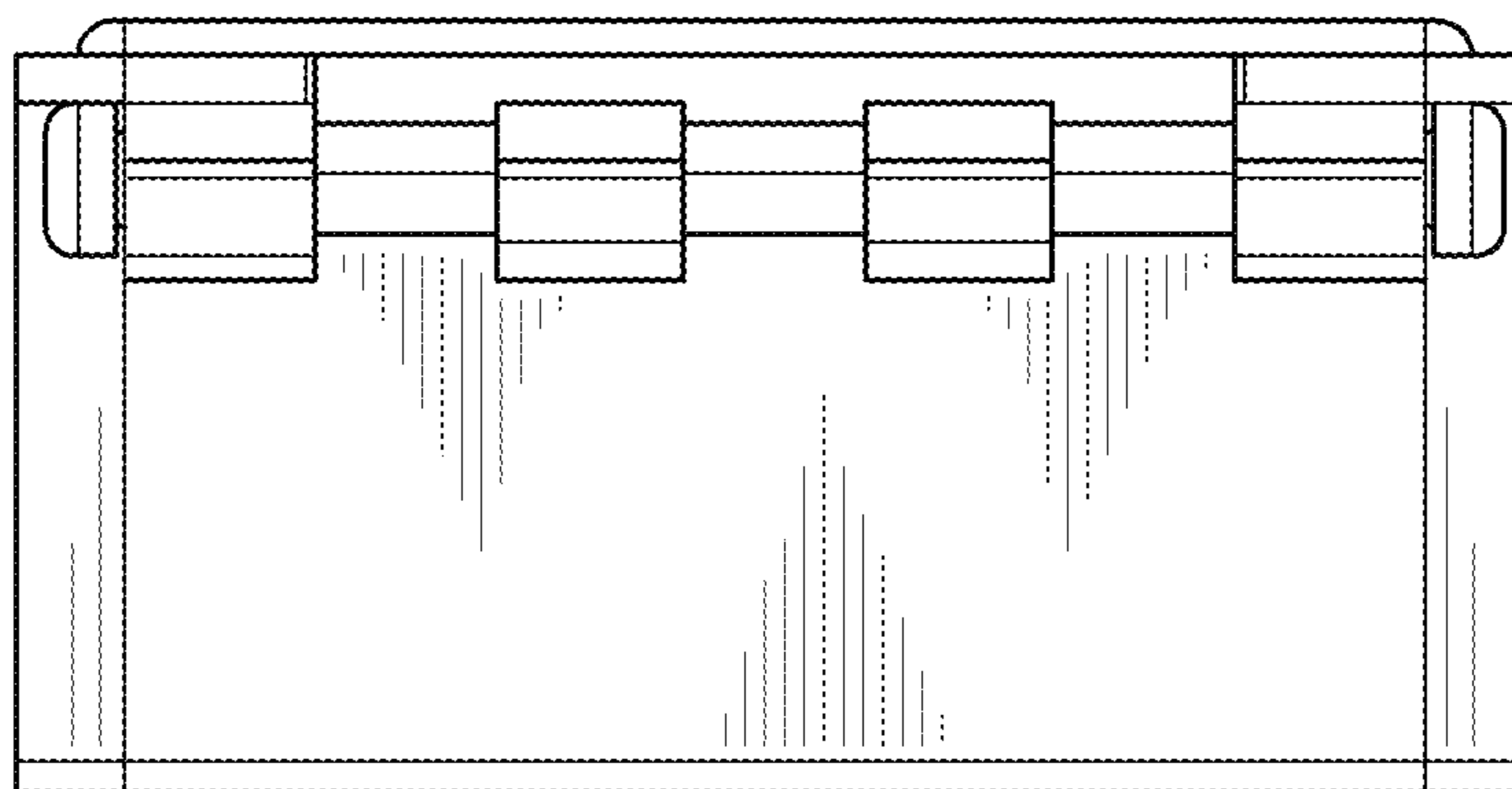


FIG. 4

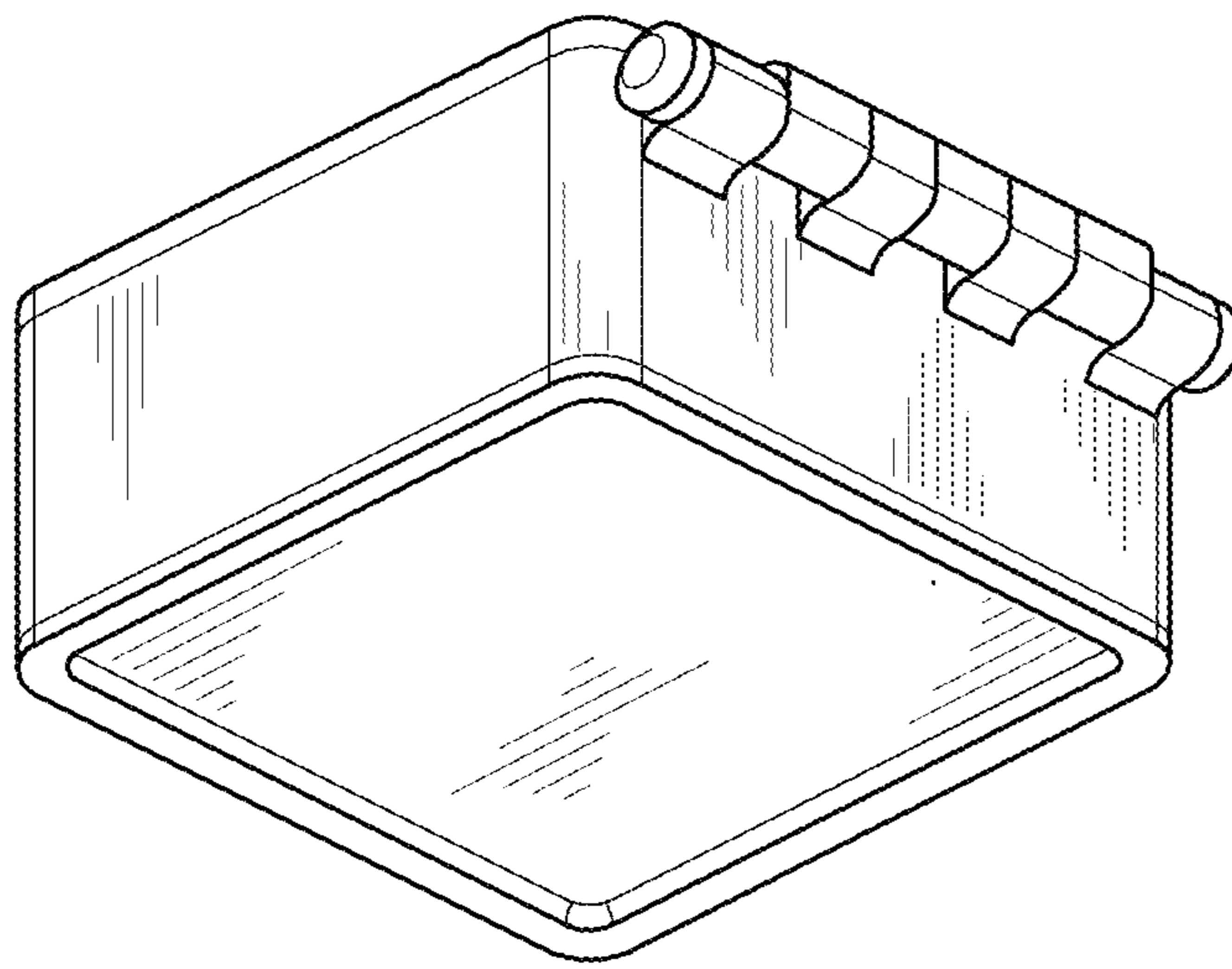


FIG. 5

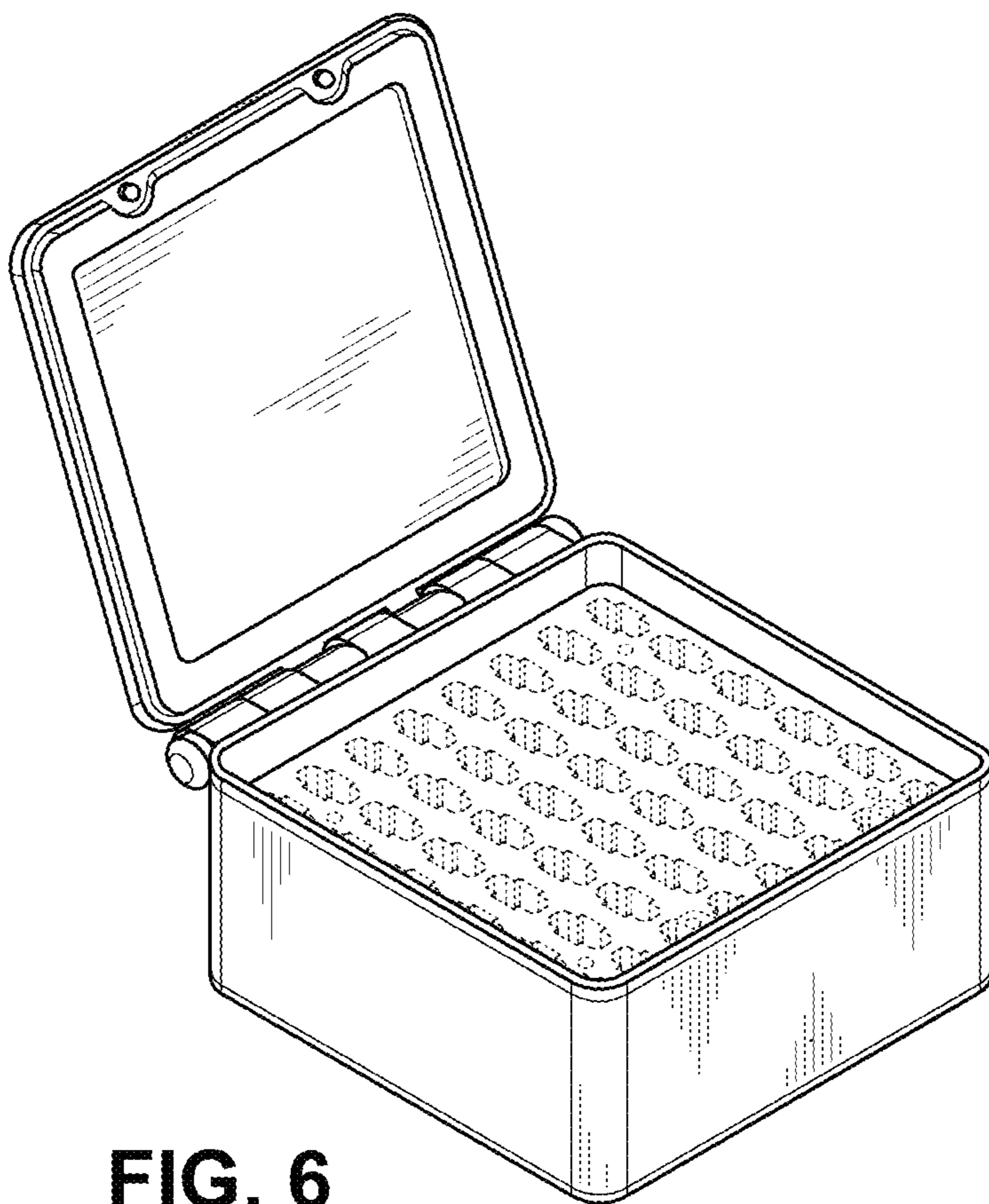


FIG. 6

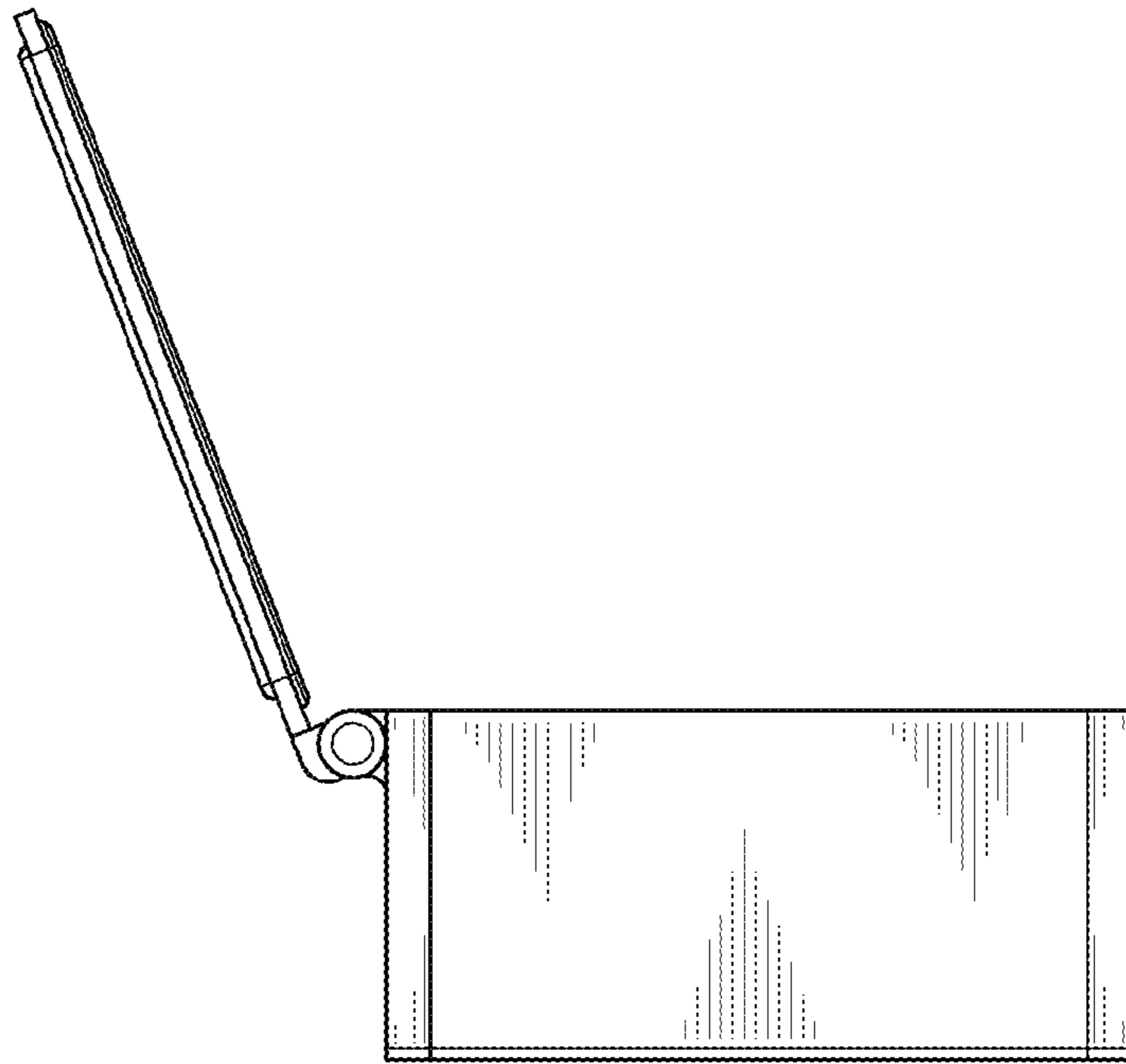


FIG. 7

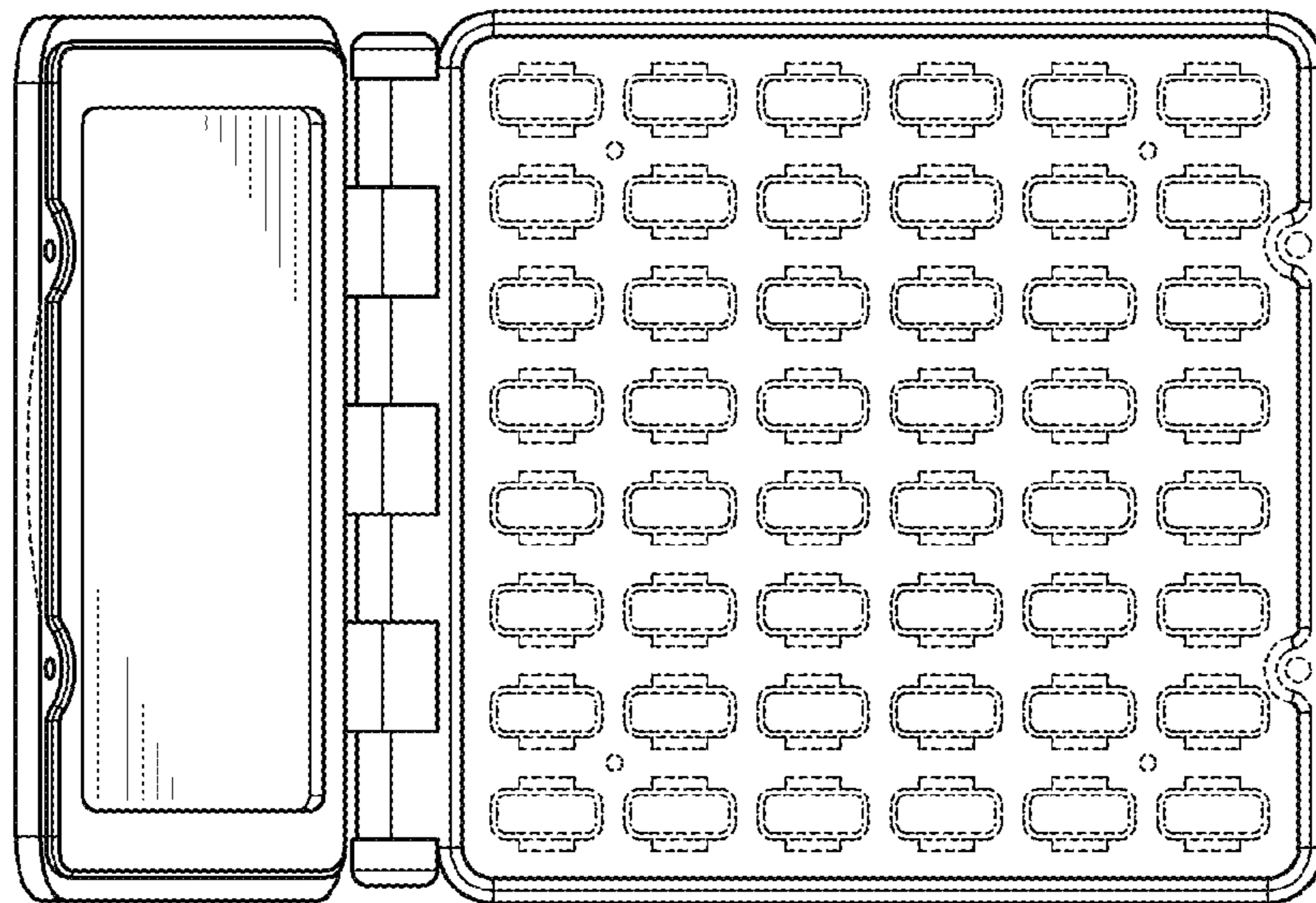


FIG. 8

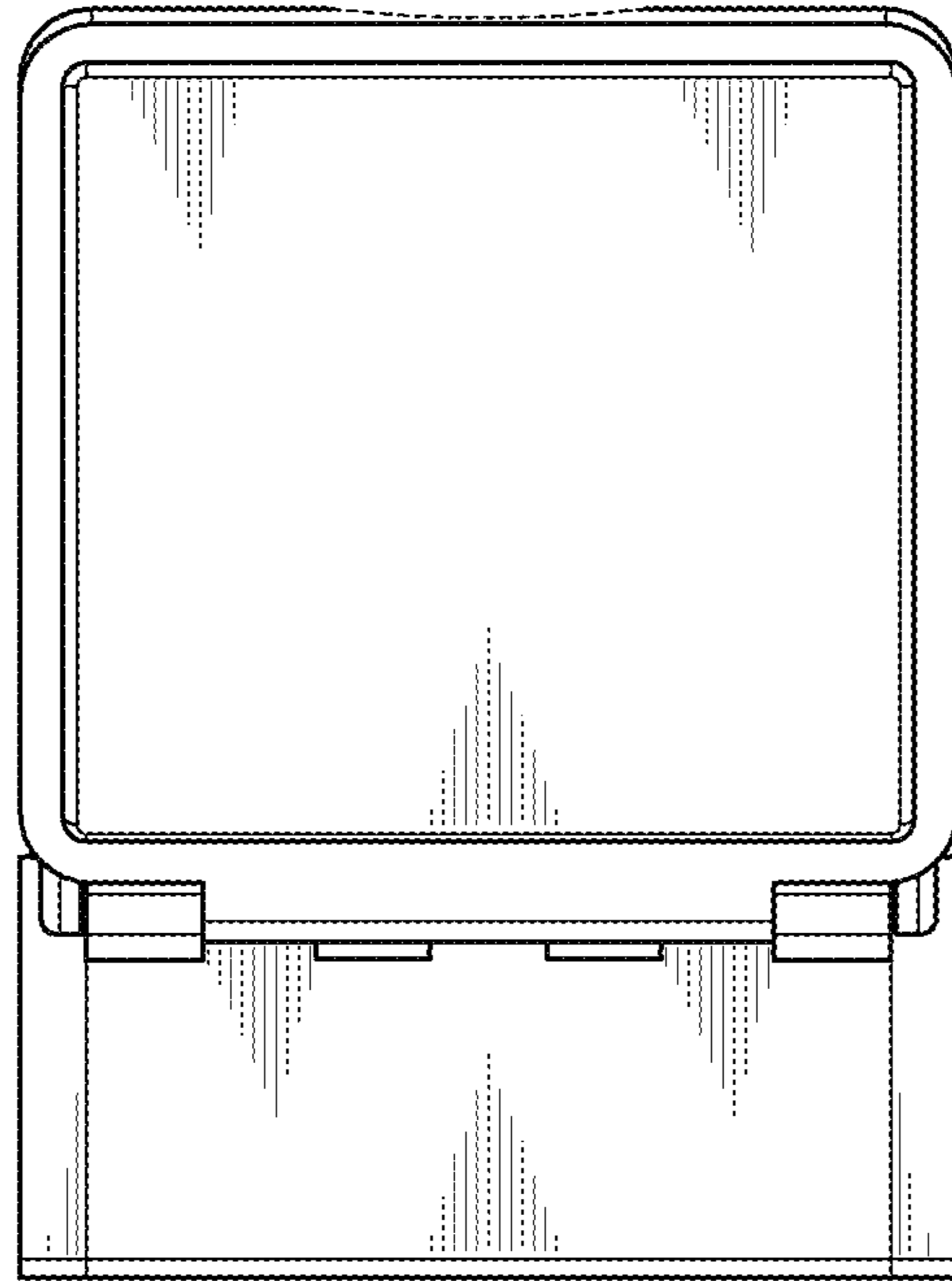


FIG. 9

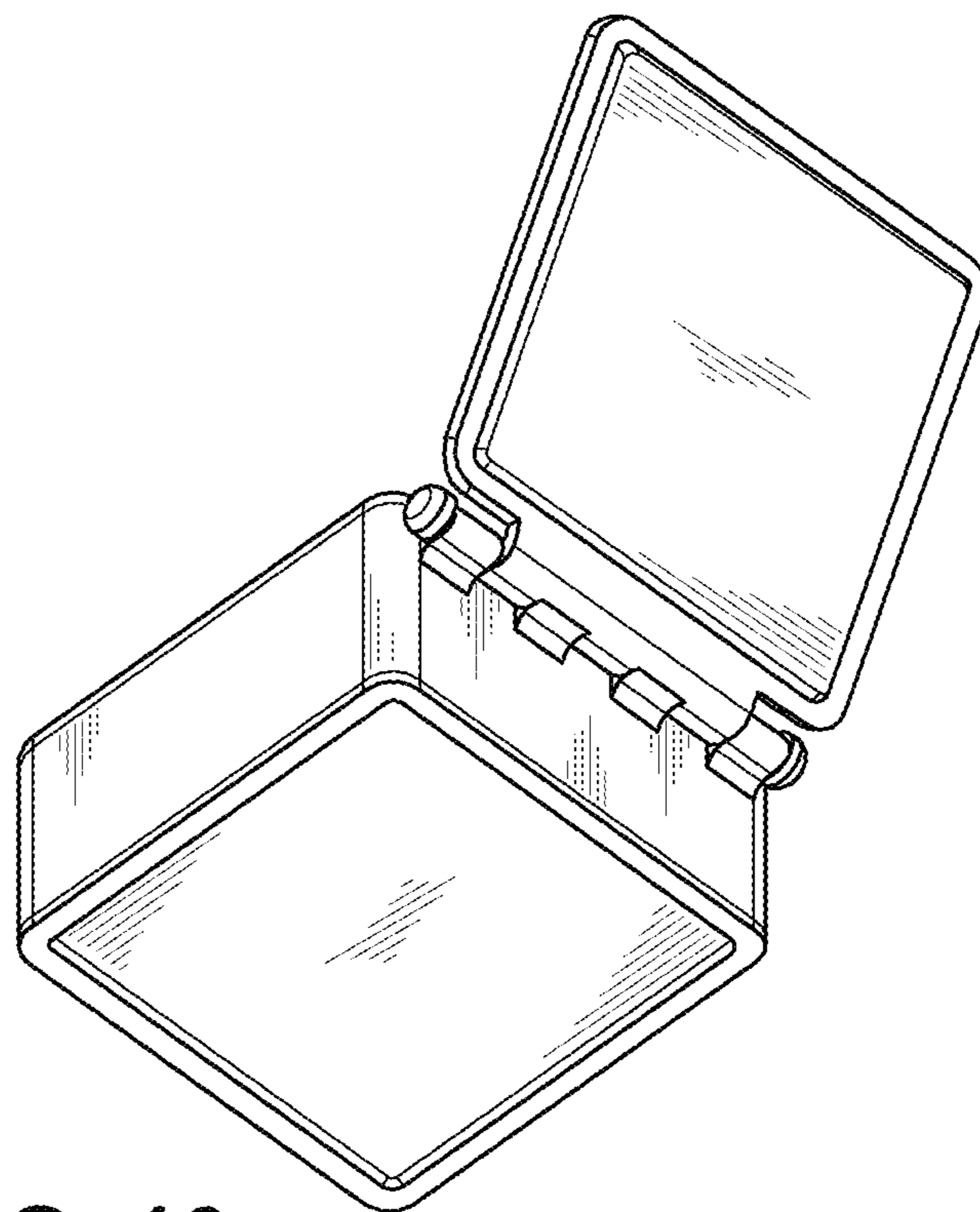


FIG. 10