



US00D762873S

(12) **United States Design Patent**  
**Baum et al.**

(10) **Patent No.:** **US D762,873 S**  
(45) **Date of Patent:** **\*\* Aug. 2, 2016**

(54) **PROCESS TUBE**  
(71) Applicant: **BECTON, DICKINSON AND COMPANY**, Franklin Lakes, NJ (US)

D380,555 S 7/1997 Kurosaki et al.  
5,721,136 A 2/1998 Finney et al.  
5,753,186 A \* 5/1998 Hanley et al. .... 422/550  
D401,700 S 11/1998 Gray et al.  
5,948,363 A 9/1999 Gaillard

(72) Inventors: **Michael J Baum**, Fallston, MD (US);  
**Brent Pohl**, Timonium, MD (US); **Ed Belsinger**, Forest Hill, MD (US)

(Continued)

(73) Assignee: **Becton, Dickinson and Company**, Franklin Lakes, NJ (US)

EP 0483620 A2 5/1992  
EP 0688602 A2 12/1995

(Continued)

(\*\*) Term: **14 Years**

**OTHER PUBLICATIONS**

(21) Appl. No.: **29/497,146**

International Search Report and Written Opinion mailed Jan. 28, 2014 for International Application No. PCT/US2013/032556.

(22) Filed: **Jul. 21, 2014**

*Primary Examiner* — Anhdao Doan

(74) *Attorney, Agent, or Firm* — Knobbe Martens Olson & Bear, LLP

**Related U.S. Application Data**

(63) Continuation-in-part of application No. 29/450,175, filed on Mar. 15, 2013, now Pat. No. Des. 709,624.

(51) **LOC (10) Cl.** ..... **24-01**

(52) **U.S. Cl.**  
USPC ..... **D24/224**

(58) **Field of Classification Search**  
USPC ..... D24/216, 223–225, 231, 232, 186, 108,  
D24/112, 119, 121, 127, 129; D10/81;  
604/1–3; 600/569, 572, 578;  
422/400–405, 547–550, 554, 558, 562;  
435/288.1, 288.4, 304.1, 305.2  
CPC . A61B 10/0096; A61B 10/0038; A61B 10/02  
See application file for complete search history.

(57) **CLAIM**

The ornamental design for a process tube, substantially as shown and described.

**DESCRIPTION**

FIG. 1 is a perspective view of a process tube; FIG. 2 is a side plan view of the process tube; FIG. 3 is an end plan view of the process tube; FIG. 4 is a top plan view of the process tube; FIG. 5 is a bottom plan view of the process tube; and, FIG. 6 is a cross-sectional view of the process tube taken along line 6 in FIG. 4.

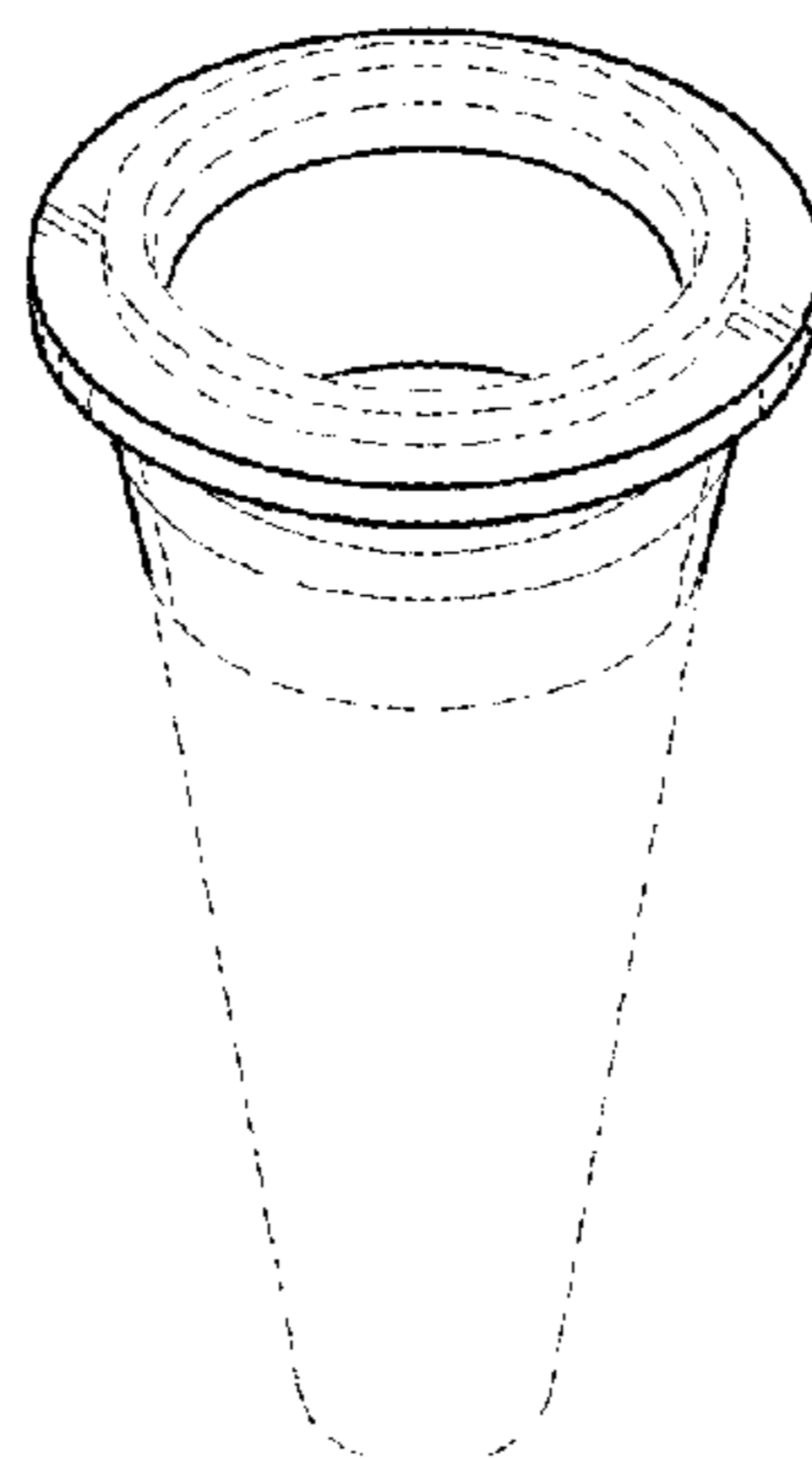
The broken lines immediately adjacent the shaded areas represent the bounds of the claim, and other broken lines illustrate portions of the process tube that form no part of the claimed design. None of the broken lines form a part of the claimed design.

(56) **References Cited**

**U.S. PATENT DOCUMENTS**

D229,748 S 1/1974 White  
D342,793 S 12/1993 Balmer

**1 Claim, 2 Drawing Sheets**



(56)

**References Cited**

**FOREIGN PATENT DOCUMENTS**

**U.S. PATENT DOCUMENTS**

6,117,391 A 9/2000 Mootz et al.  
D583,481 S 12/2008 Yamamoto et al.  
8,216,530 B2 7/2012 Handique et al.  
D687,964 S 8/2013 Trump  
D687,965 S 8/2013 Trump  
2007/0116613 A1 5/2007 Elsener  
2008/0287585 A1\* 11/2008 Brown ..... 422/240  
2009/0047180 A1 2/2009 Kawahara  
2014/0271409 A1\* 9/2014 Knight et al. .... 422/554

EP 1077086 A2 2/2001  
EP 1346772 A2 9/2003  
EP 1792656 A1 6/2007  
GB 2453432 A 4/2009  
WO WO 98/35013 A1 8/1998  
WO WO 2004/056485 A1 7/2004  
WO WO 2011/101467 8/2011

\* cited by examiner

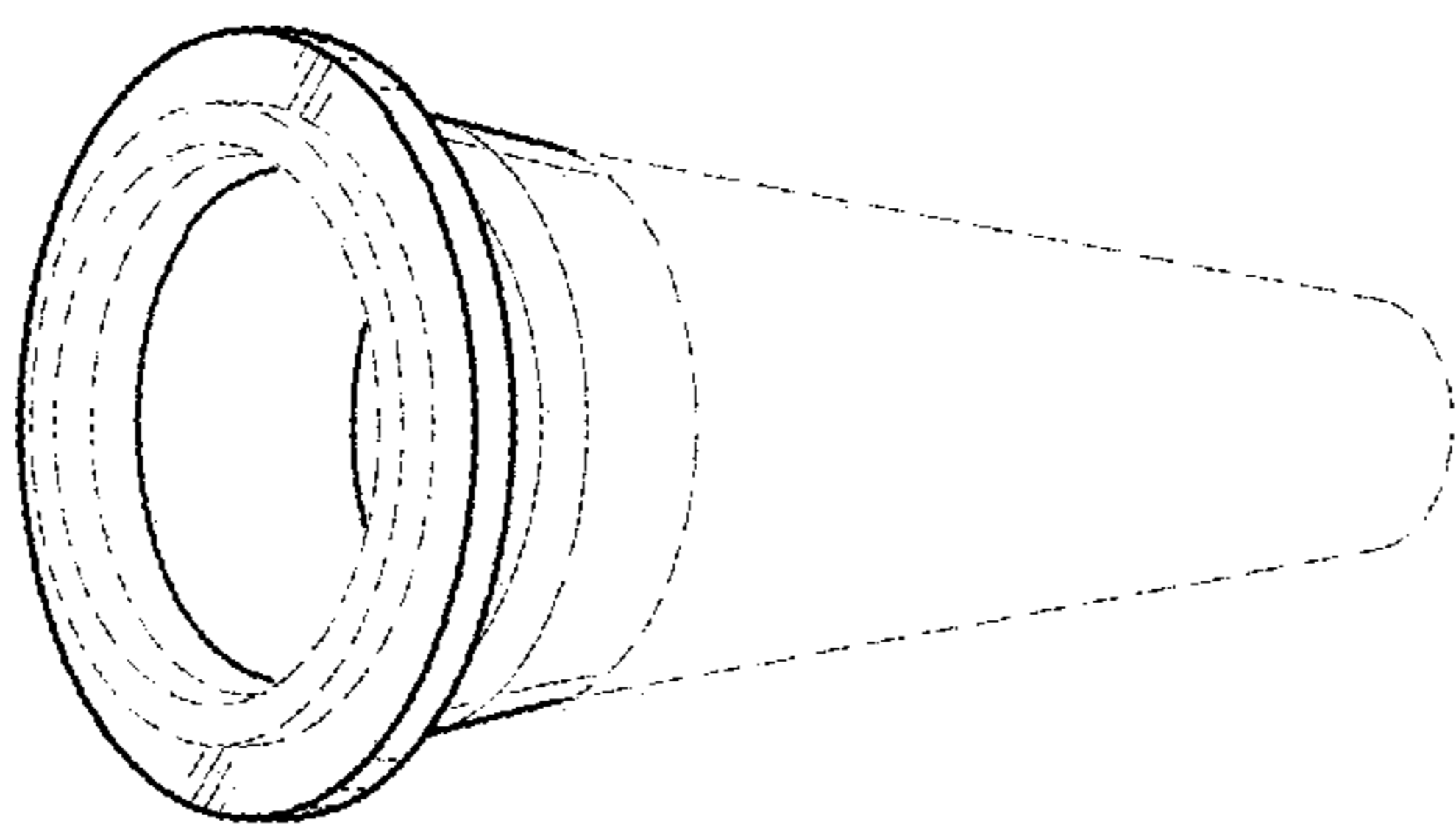


FIG. 1

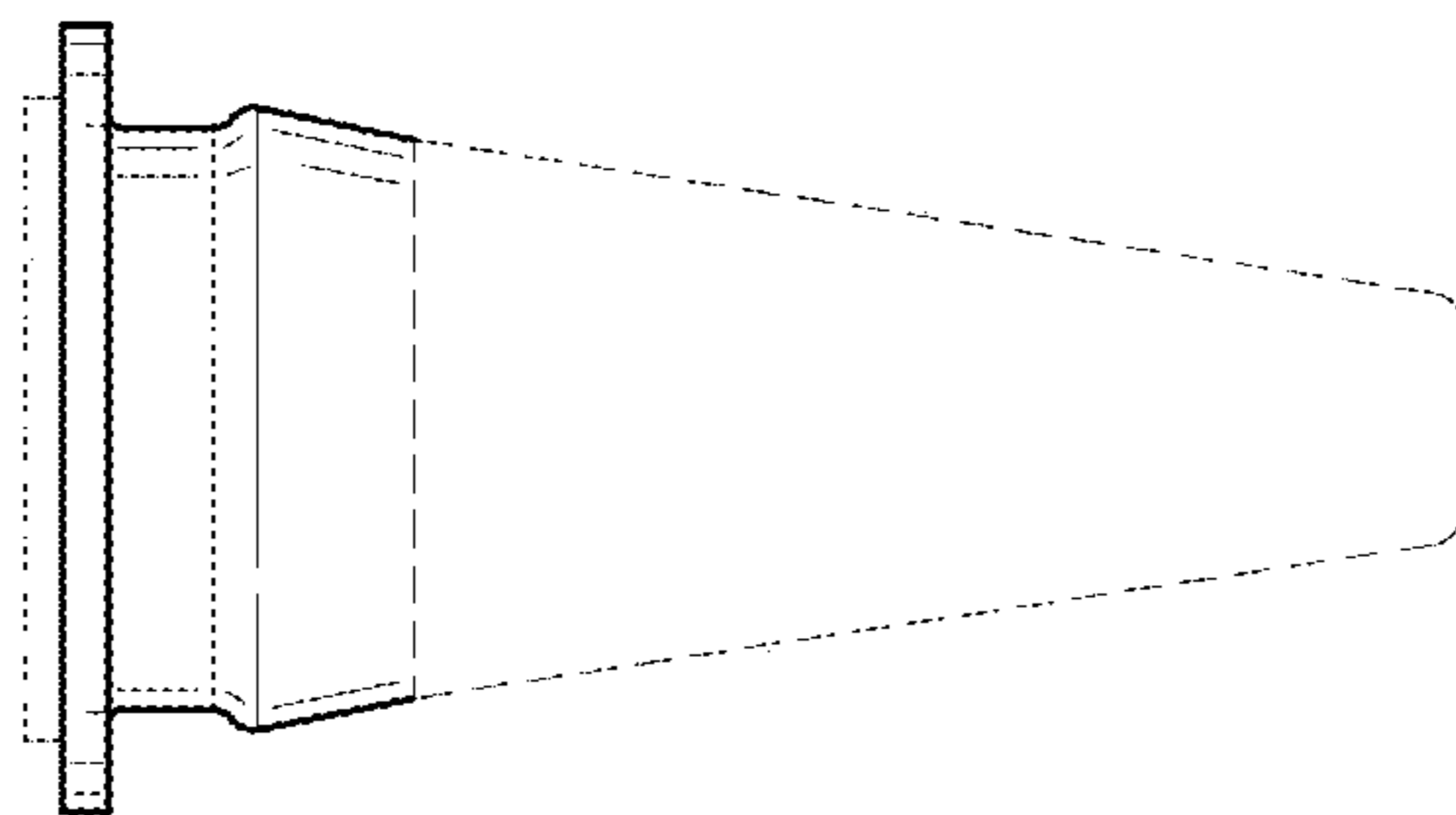


FIG. 2

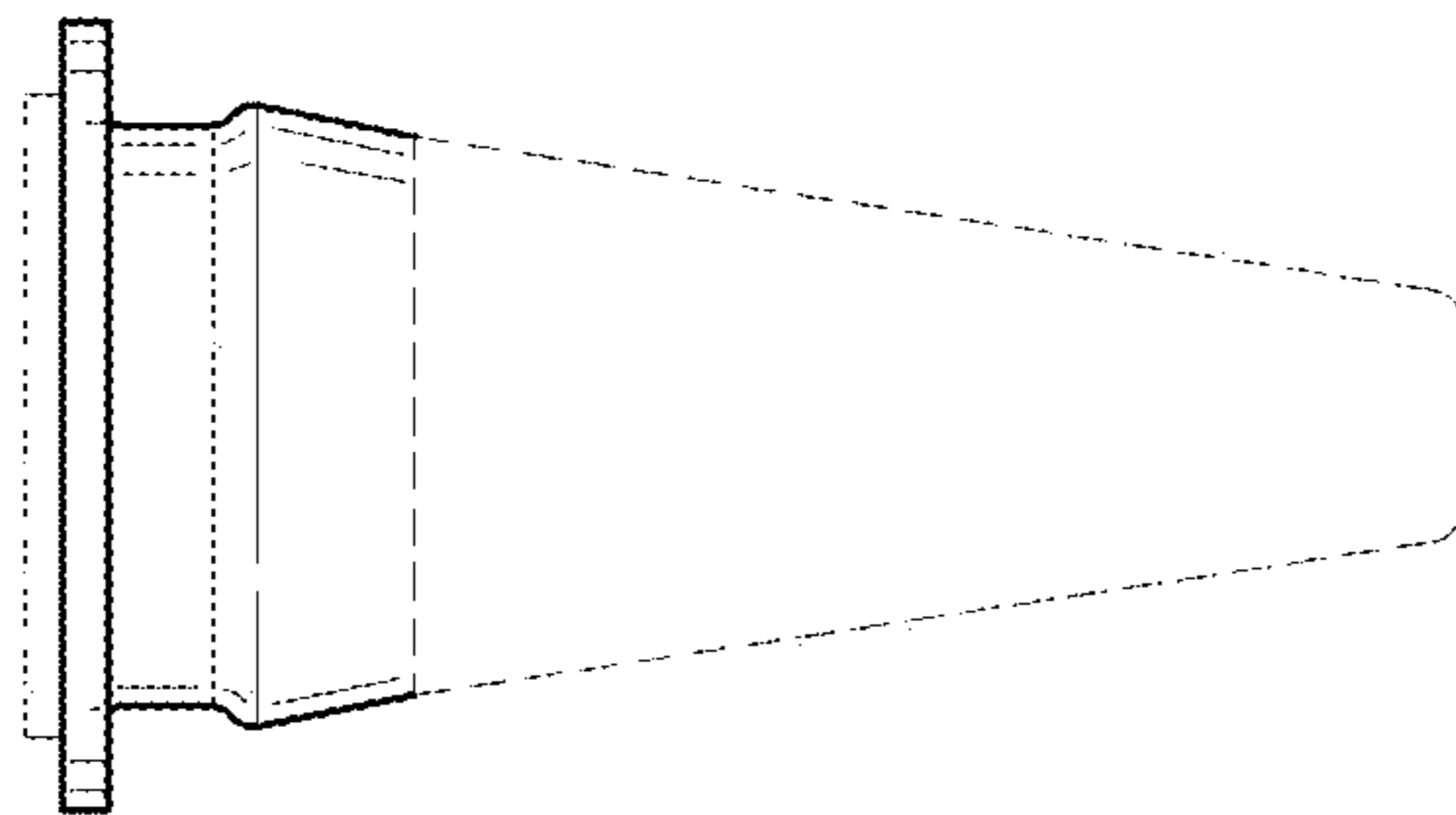


FIG. 3

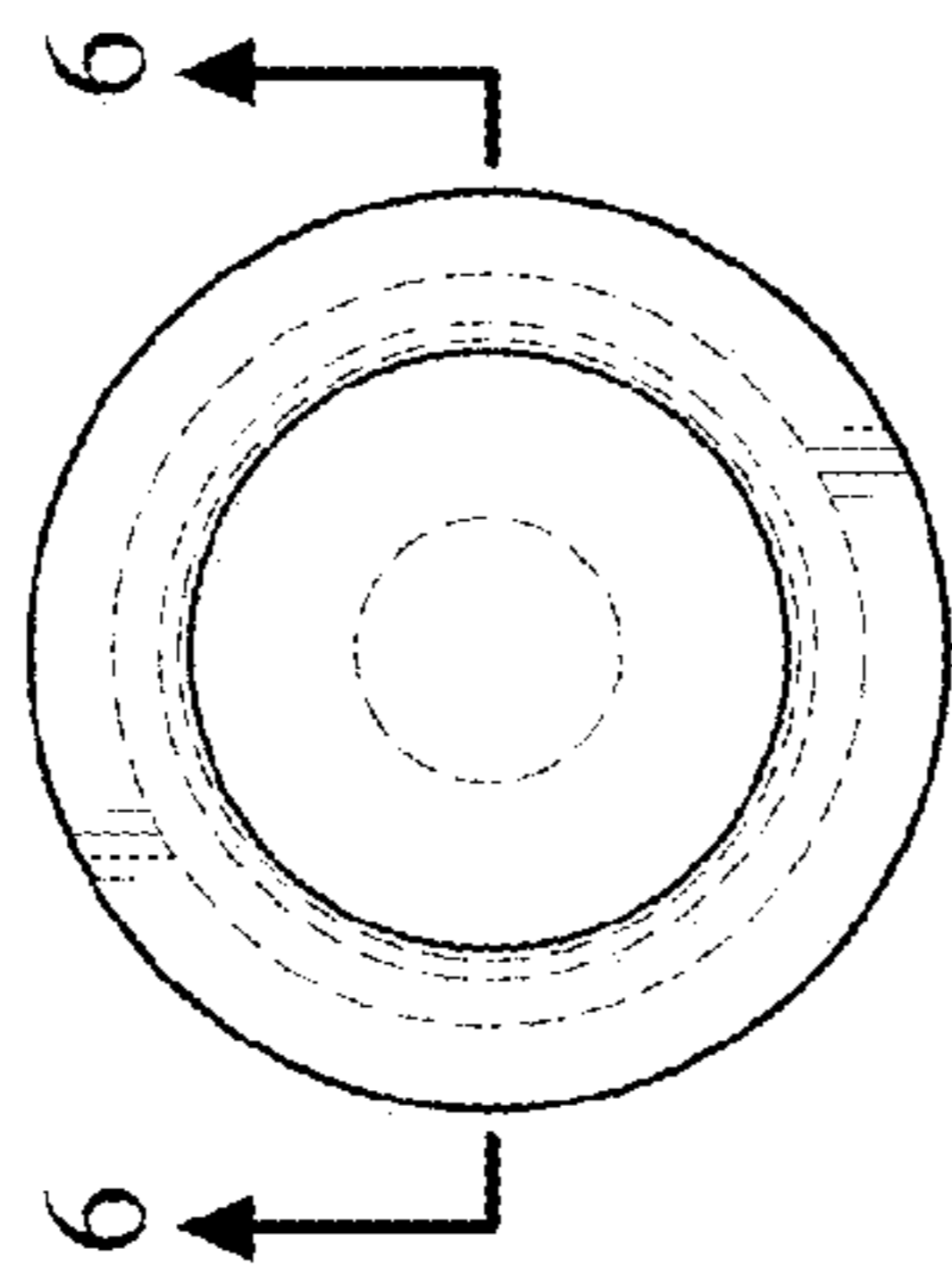


FIG. 4

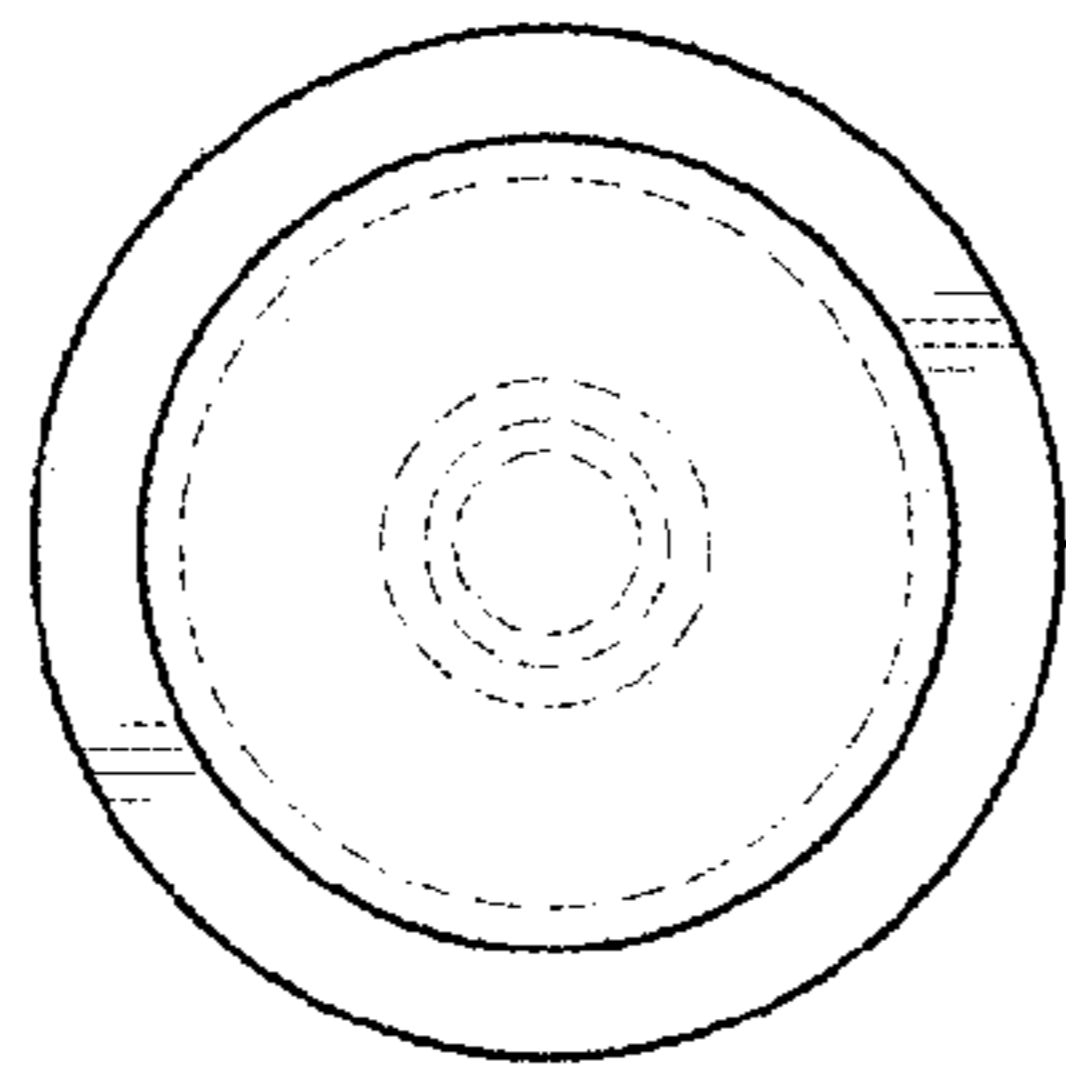


FIG. 5

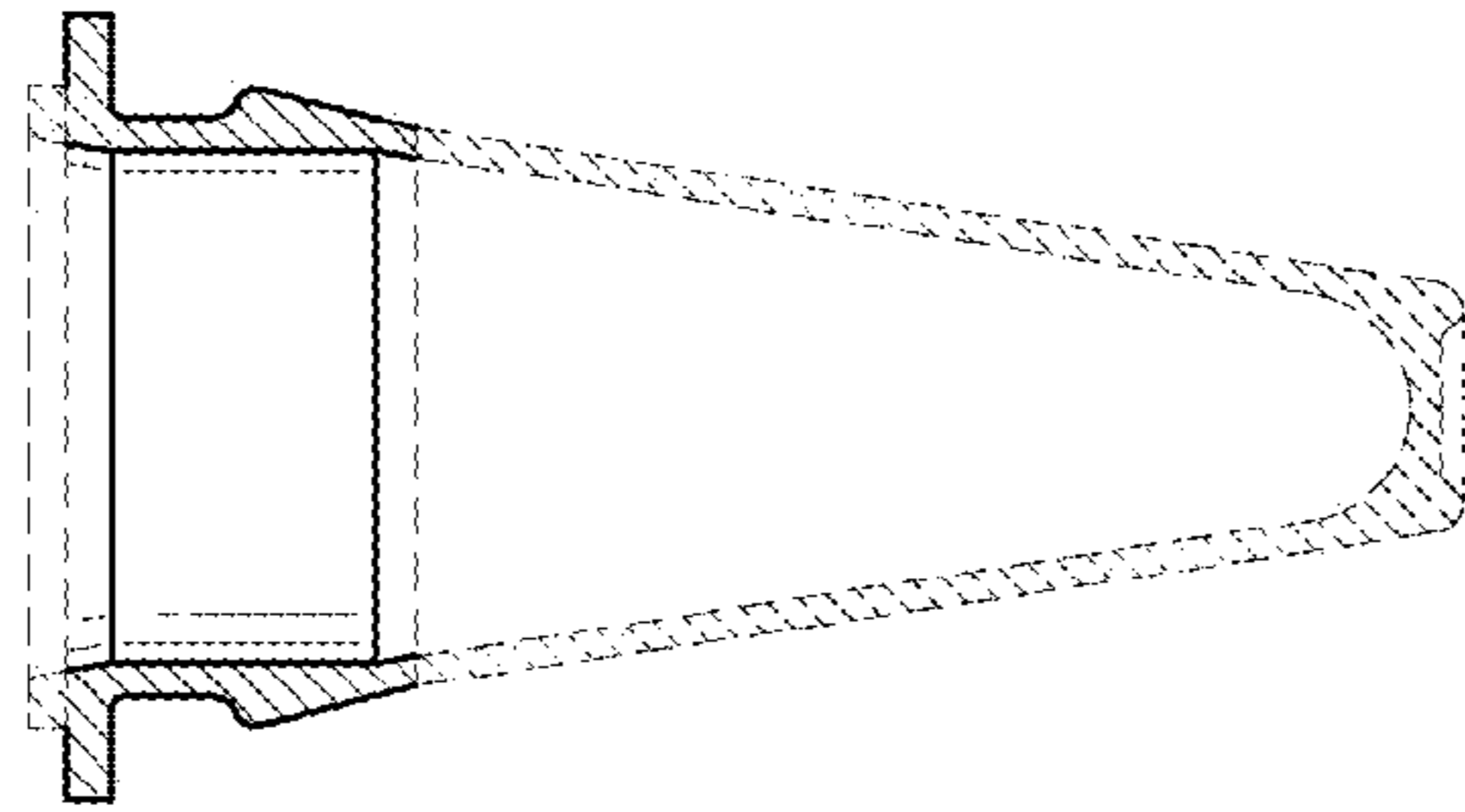


FIG. 6