



US00D762871S

(12) **United States Design Patent**
Gomez

(10) **Patent No.:** **US D762,871 S**

(45) **Date of Patent:** **** *Aug. 2, 2016**

(54) **LIP SUCTION DEVICE WITH OPENING**

(71) Applicant: **Fullips, LLC**, Paradise Valley, AZ (US)

(72) Inventor: **Linda M. Gomez**, Henderson, NV (US)

(73) Assignee: **Fullips, LLC**, Paradise Valley, AZ (US)

(*) Notice: This patent is subject to a terminal disclaimer.

(**) Term: **15 Years**

(21) Appl. No.: **29/528,261**

(22) Filed: **May 27, 2015**

Related U.S. Application Data

(63) Continuation-in-part of application No. 29/510,853, filed on Dec. 3, 2014, now Pat. No. Des. 741,502, which is a continuation-in-part of application No. 14/512,273, filed on Oct. 10, 2014, which is a

(Continued)

(51) **LOC (10) Cl.** **28-03**

(52) **U.S. Cl.**
USPC **D24/215**

(58) **Field of Classification Search**
USPC D24/200, 211, 212, 213, 214, 215;
601/19, 27-32, 46, 49, 52, DIG. 12,
601/DIG. 14, DIG. 15, DIG. 16, DIG. 17, 48
CPC A61H 2201/0153; A61H 2201/0207;
A61H 2201/0263; A61H 2201/0111; A61H
2201/1253; A61H 2205/082; A61H 2205/085;
A61H 15/0085; A61H 19/00; A61H 19/30;
A61H 19/32; A61H 19/40; A61H 19/44;
A61H 19/50

See application file for complete search history.

(56) **References Cited**

U.S. PATENT DOCUMENTS

931,102 A 8/1909 Walter
1,882,040 A 10/1932 Roehm

(Continued)

FOREIGN PATENT DOCUMENTS

CN 2254743 Y 5/1997
DE 19522416 A1 1/1997

(Continued)

Primary Examiner — Sandra Snapp

(74) *Attorney, Agent, or Firm* — Adam R. Stephenson, LTD.

(57) **CLAIM**

The ornamental design for lip suction device with opening, as shown and described.

DESCRIPTION

FIG. 1 is a top, front side perspective view of a of a lip suction device;

FIG. 2 is a top, back side perspective view thereof;

FIG. 3 is a top view thereof;

FIG. 4 is a bottom view thereof;

FIG. 5 is a front side view thereof;

FIG. 6 is back side view thereof;

FIG. 7 is right view thereof;

FIG. 8 is a left view thereof;

FIG. 9 is a top, front side perspective view of another lip suction device;

FIG. 10 is a top, back side perspective view of another lip suction device;

FIG. 11 is a top view thereof;

FIG. 12 is a bottom view thereof;

FIG. 13 is a front view thereof;

FIG. 14 is a back view thereof;

FIG. 15 is a right side view thereof, the left side view being a mirror image;

FIG. 16 is a top, front side perspective view of another lip suction device;

FIG. 17 is a top, back side perspective view of another lip suction device;

FIG. 18 is a top view thereof;

FIG. 19 is a bottom view thereof;

FIG. 20 is a front side view thereof;

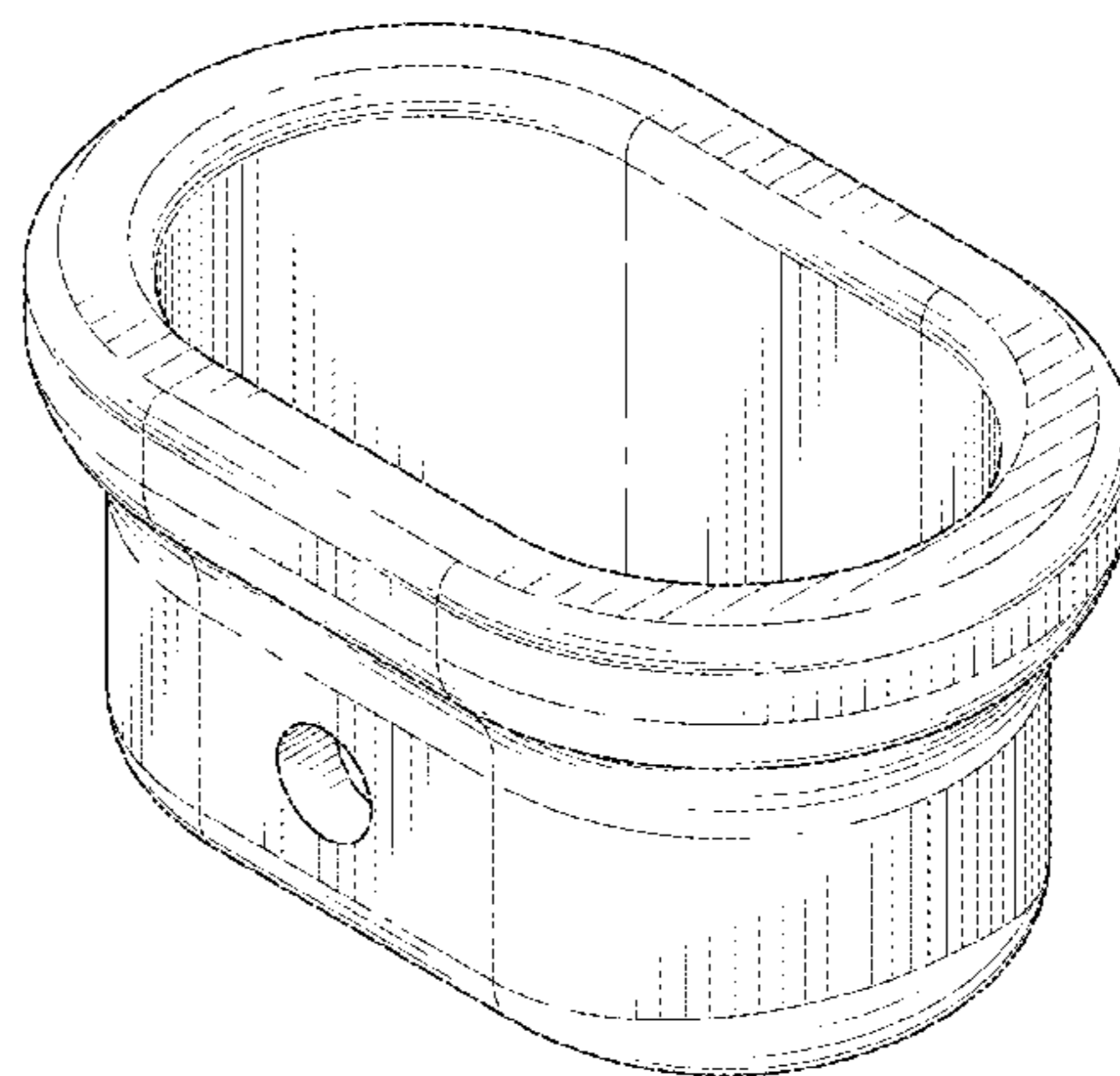
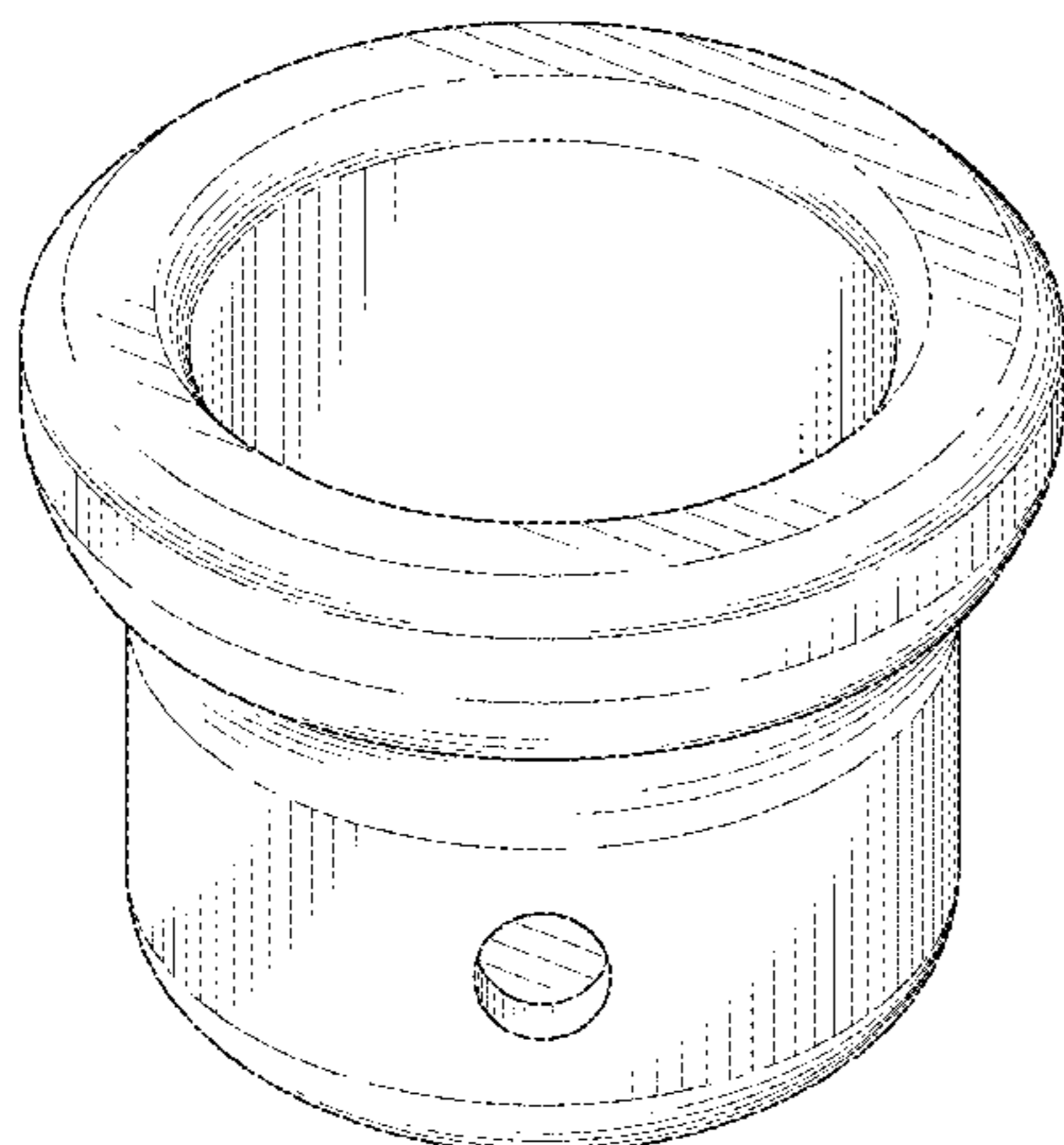
FIG. 21 is a back side view thereof;

FIG. 22 is a right side view thereof; and,

FIG. 23 is a left side view thereof.

All broken lines represent unclaimed features of the article to which the design is applied.

1 Claim, 15 Drawing Sheets



Related U.S. Application Data

continuation of application No. 13/480,190, filed on May 24, 2012, now Pat. No. 8,858,472, which is a continuation-in-part of application No. 12/474,920, filed on May 29, 2009, now abandoned.

(56)

References Cited

U.S. PATENT DOCUMENTS

2,187,560	A	1/1940	Reilly	
2,189,116	A	2/1940	Niemiec	
2,218,443	A	10/1940	Tweddle	
3,118,667	A	1/1964	Barons	
3,236,231	A	2/1966	Schneider et al.	
3,396,720	A	8/1968	Ohkubo	
3,742,607	A	7/1973	Johnson	
5,377,701	A	1/1995	Fang	
D357,322	S *	4/1995	Matthews D24/200

D403,076	S *	12/1998	York D24/211
5,871,456	A	2/1999	Armstrong et al.	
D406,676	S *	3/1999	Henry D28/7
6,309,364	B1	10/2001	Cathaud et al.	
D454,644	S *	3/2002	York D24/214
D469,880	S *	2/2003	York D24/214
7,131,441	B1	11/2006	Keller et al.	
7,201,630	B2	4/2007	Cope	
D741,502	S *	10/2015	Gomez D24/215
2002/0117178	A1	8/2002	Dort	
2004/0073144	A1	4/2004	Carava	
2005/0267386	A1	12/2005	Copelan	
2009/0013993	A1	1/2009	Bird et al.	

FOREIGN PATENT DOCUMENTS

GB		551933		3/1943
JP		9098835	A	4/1997
JP		11196936	A	7/1999

* cited by examiner

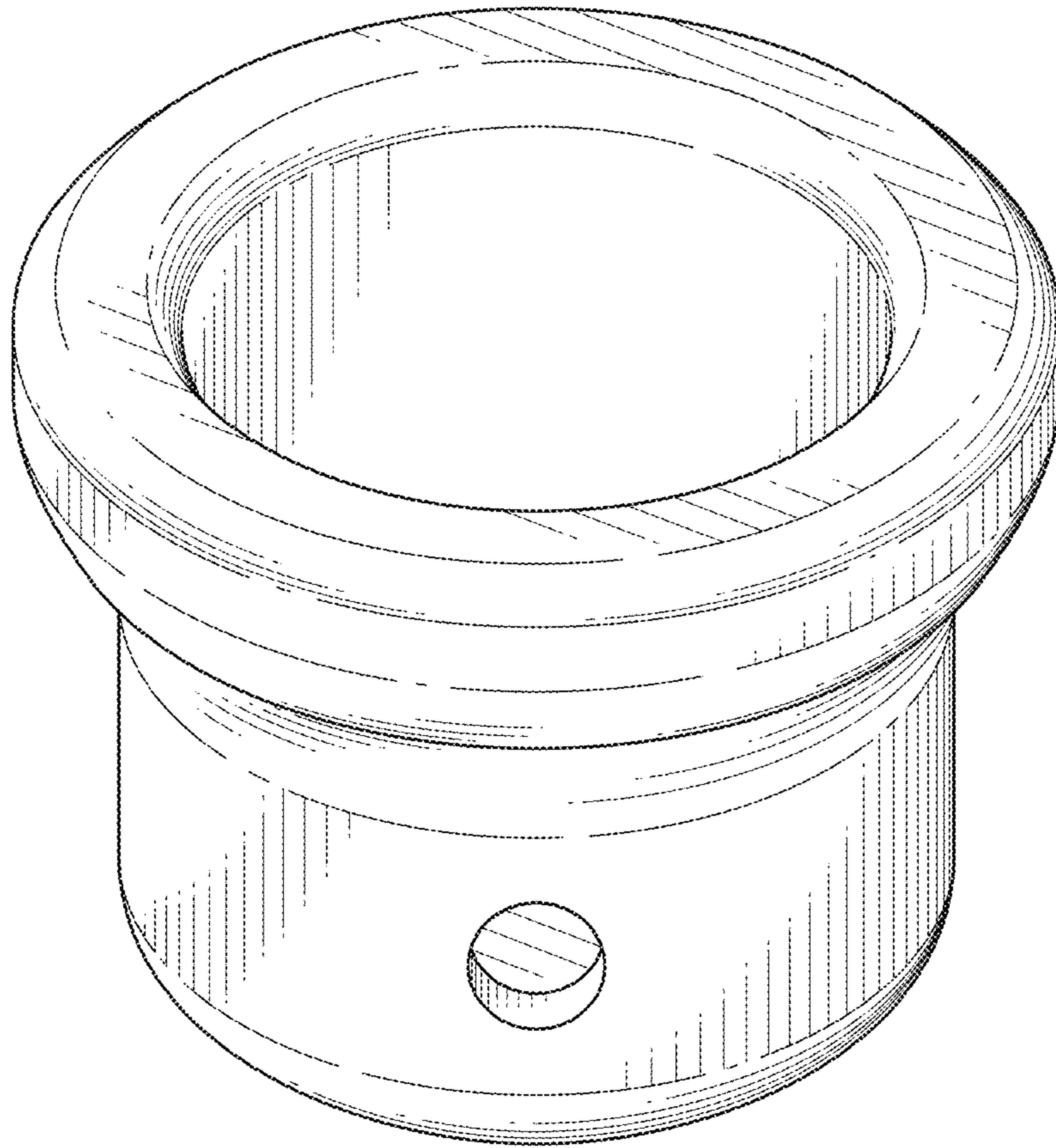


FIG. 1

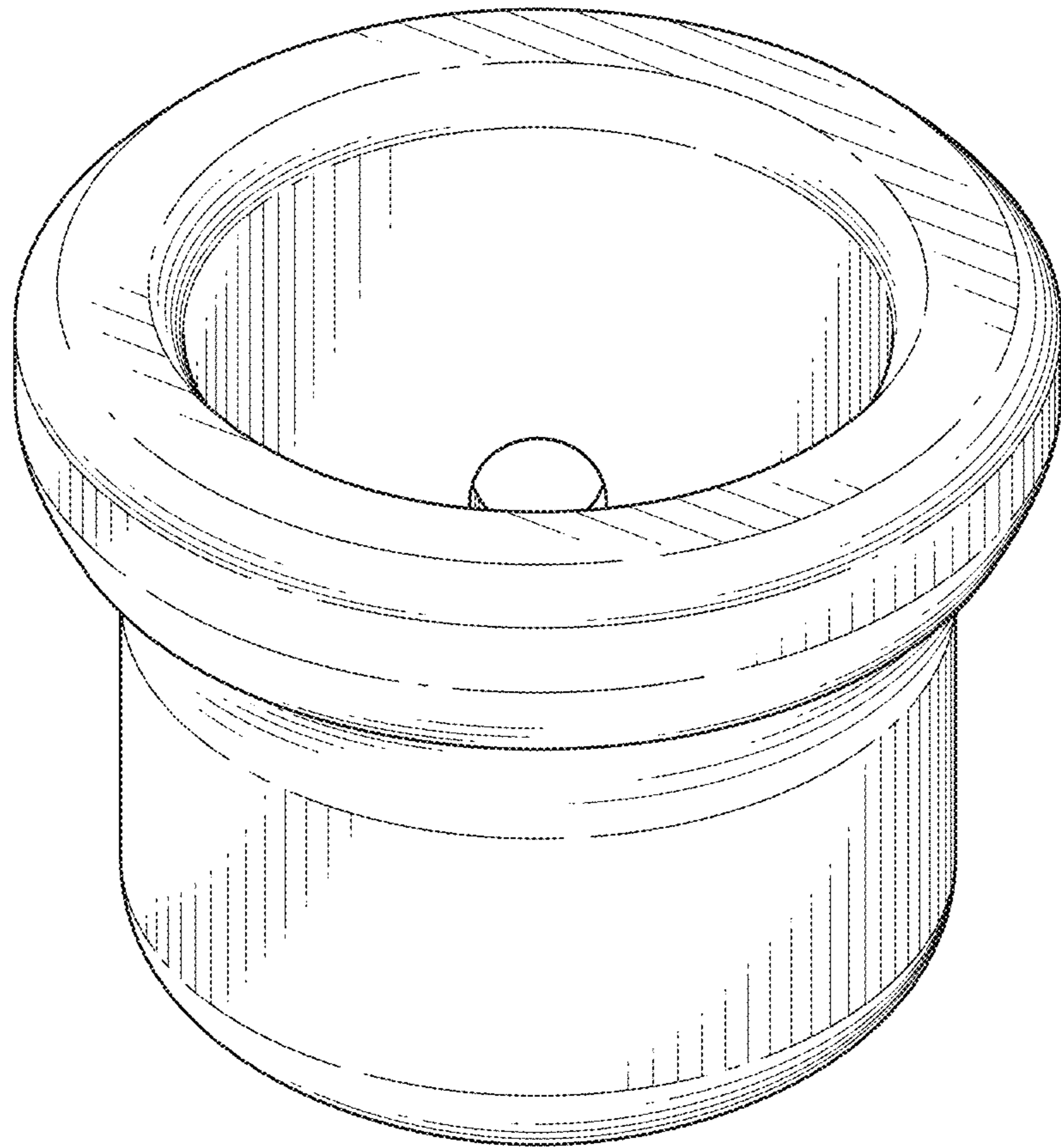


FIG. 2

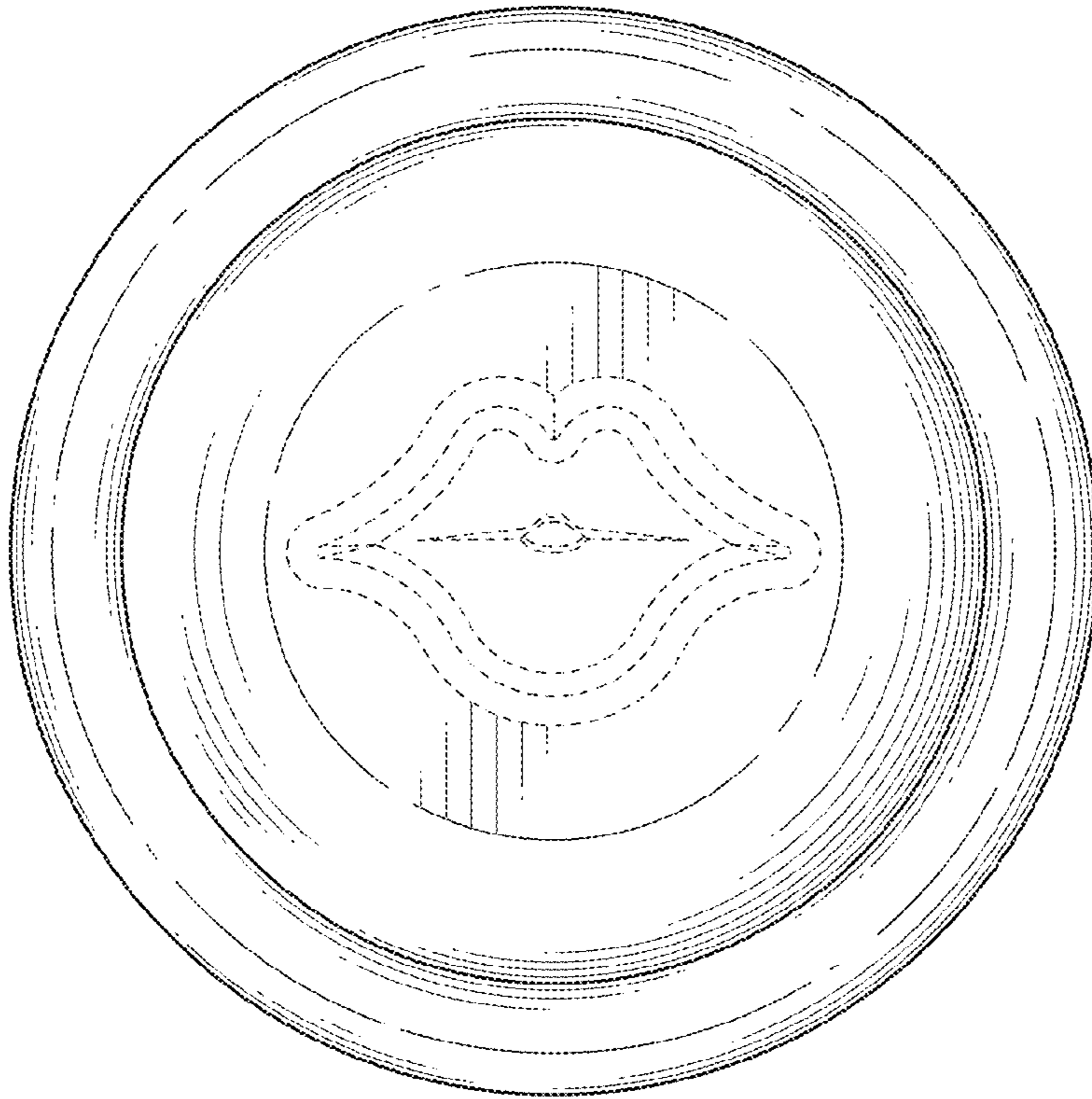


FIG. 3

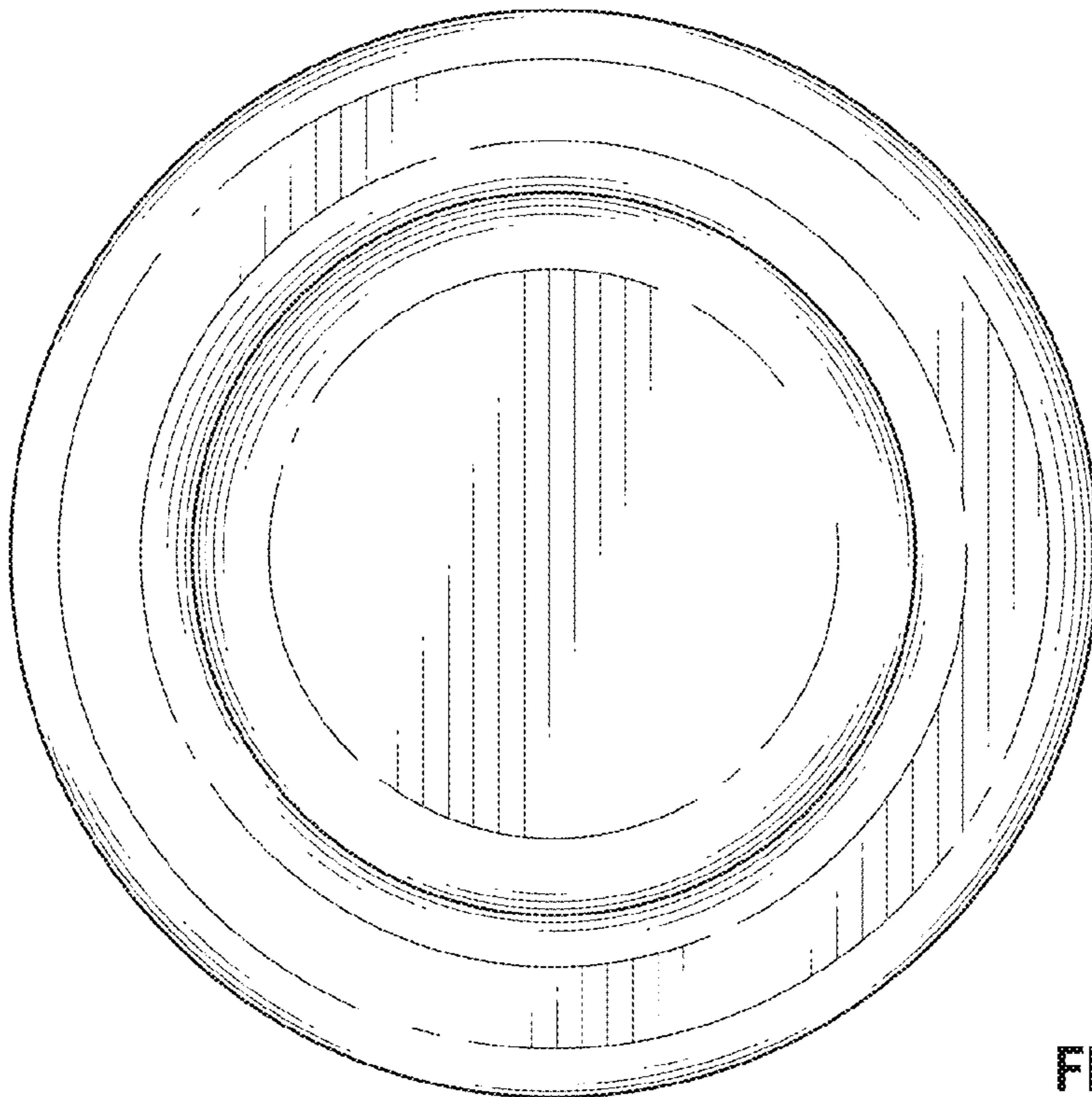


FIG. 4

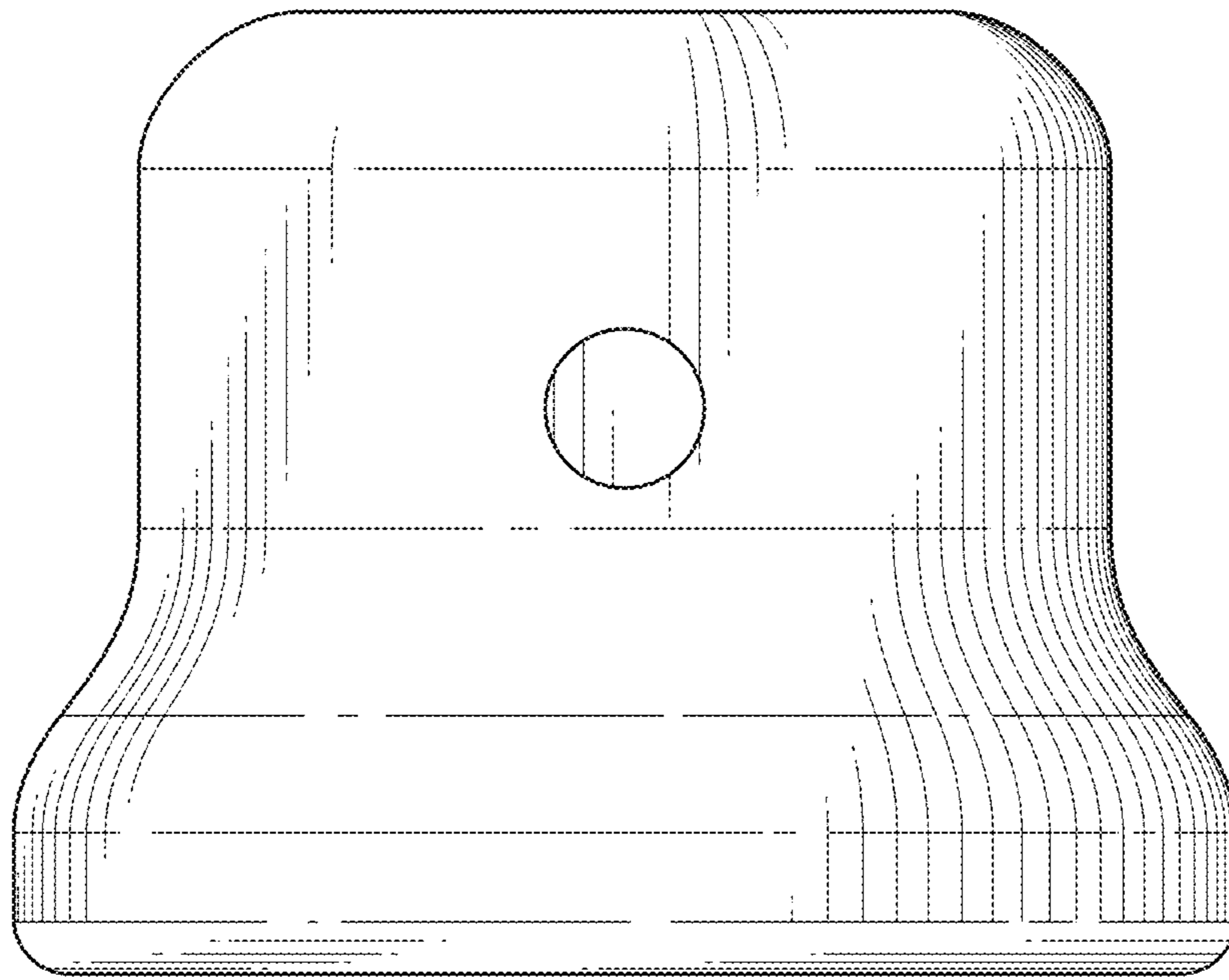


FIG. 5

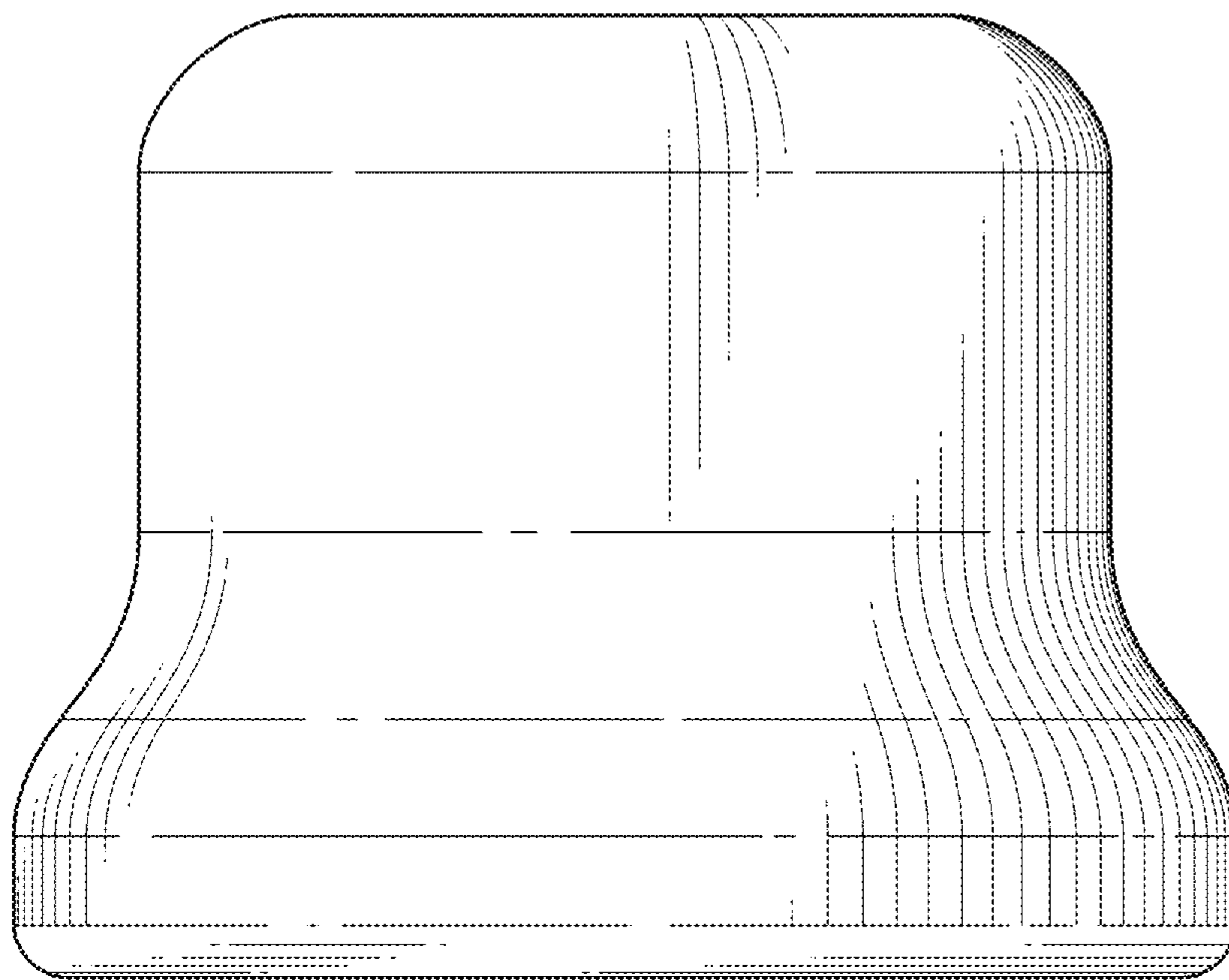


FIG. 6

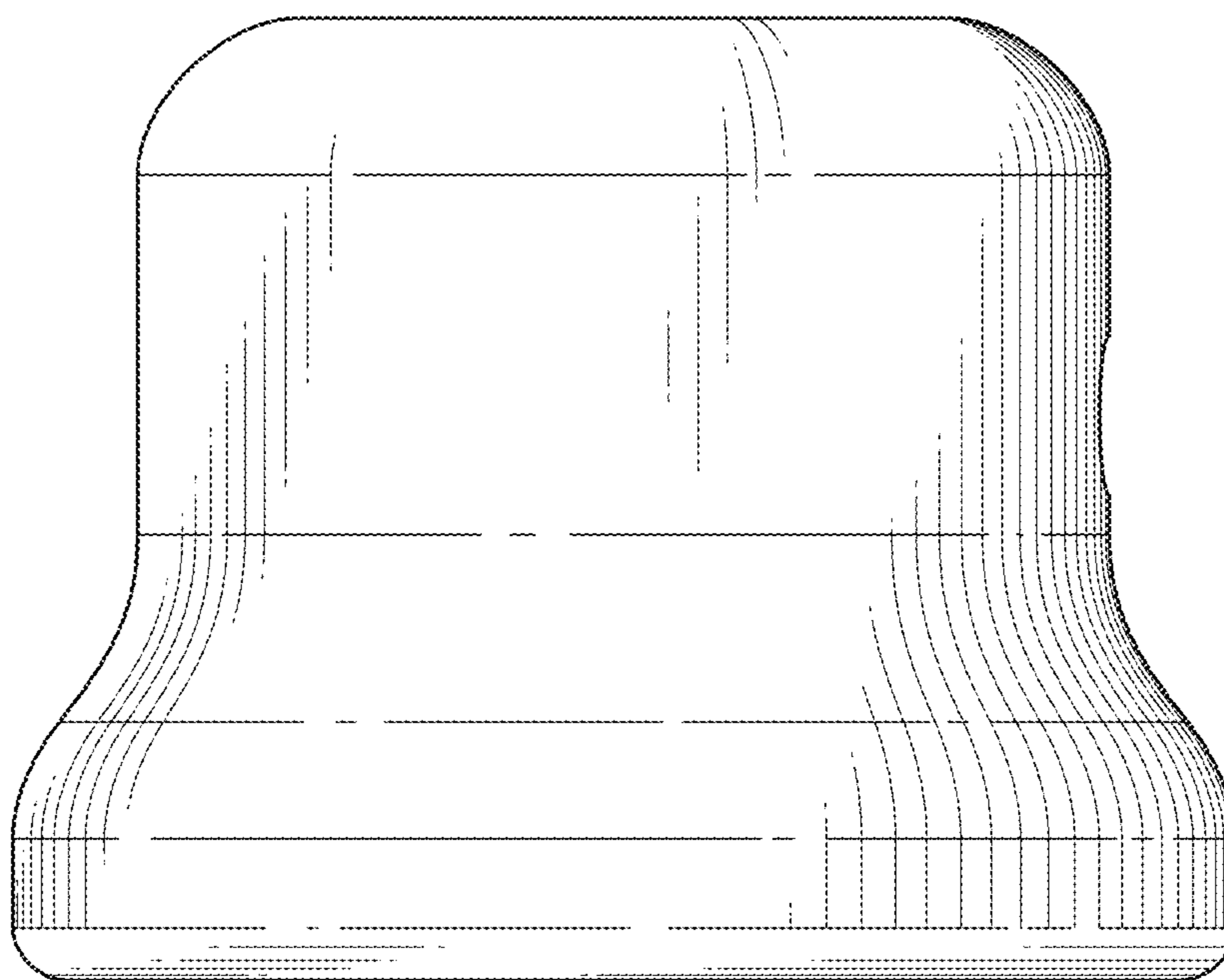


FIG. 7

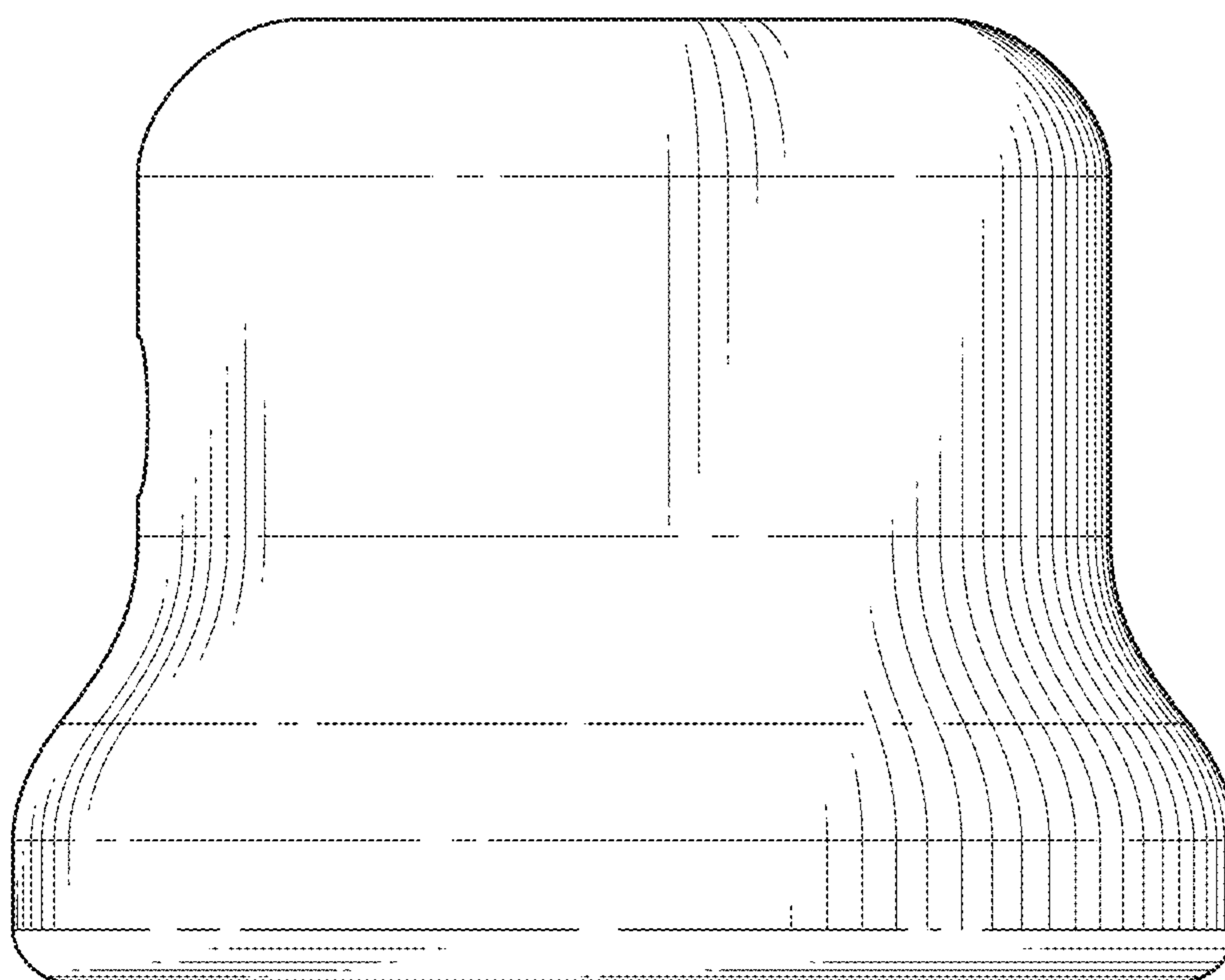


FIG. 8

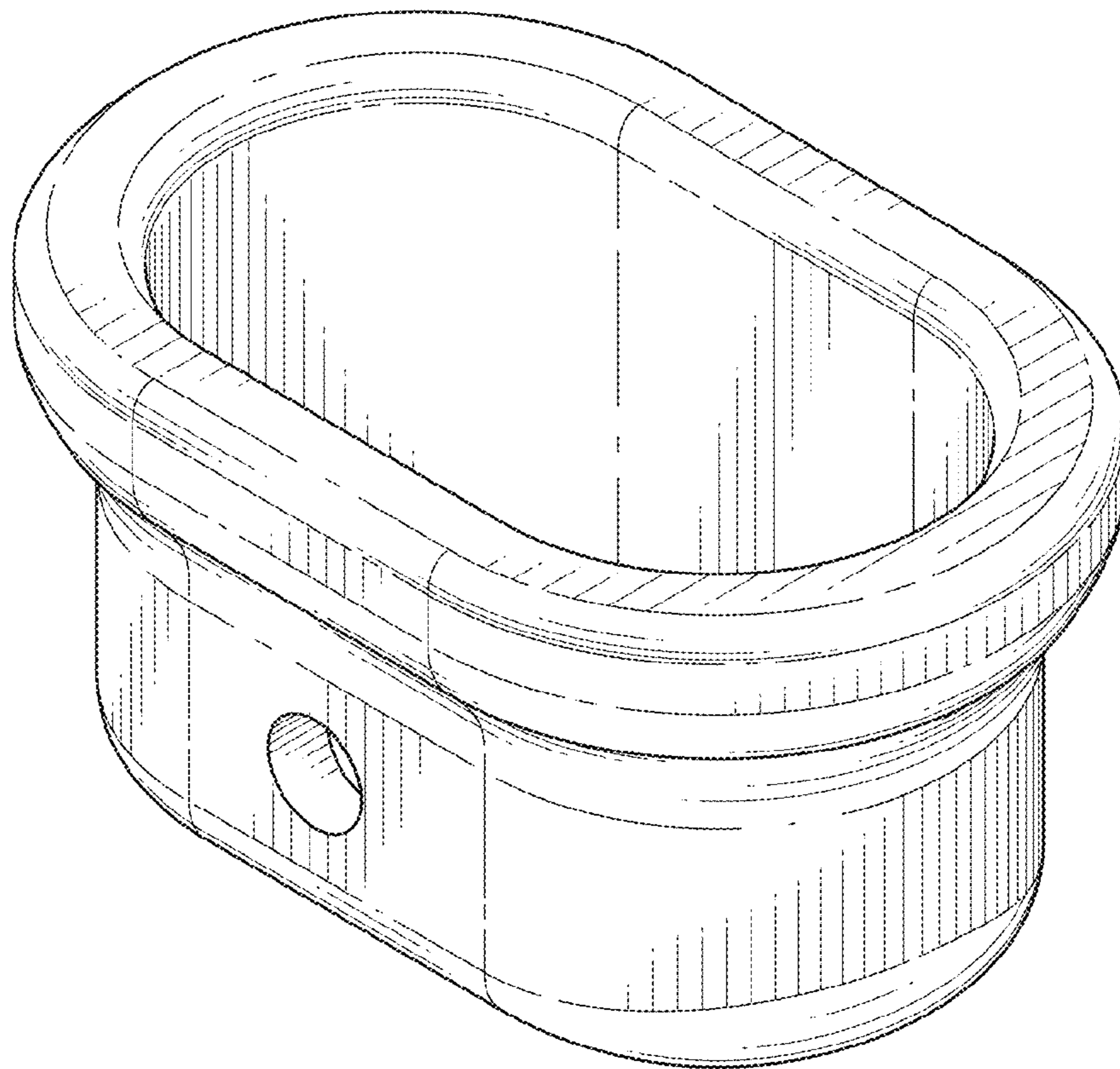


FIG. 9

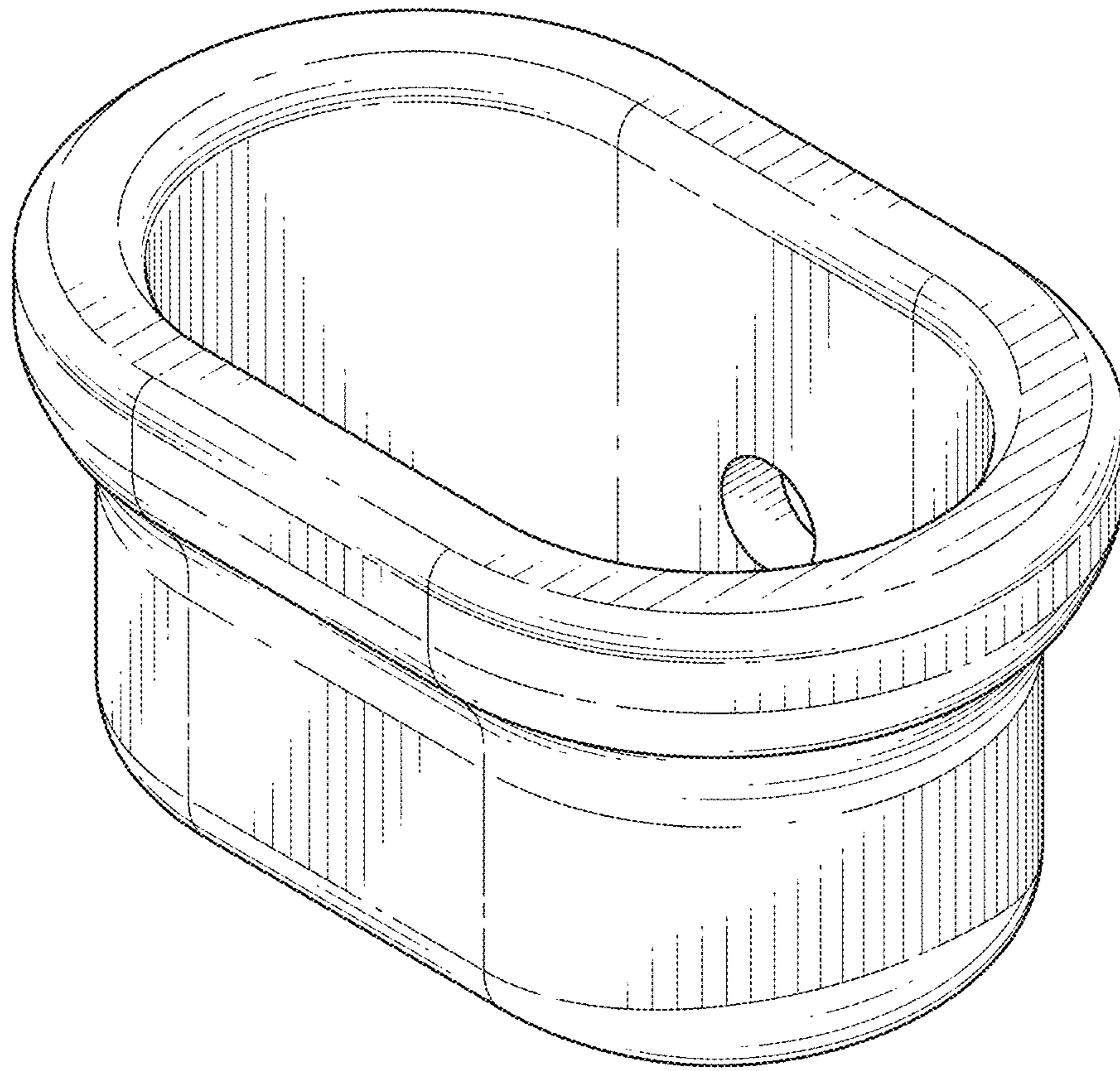


FIG. 10

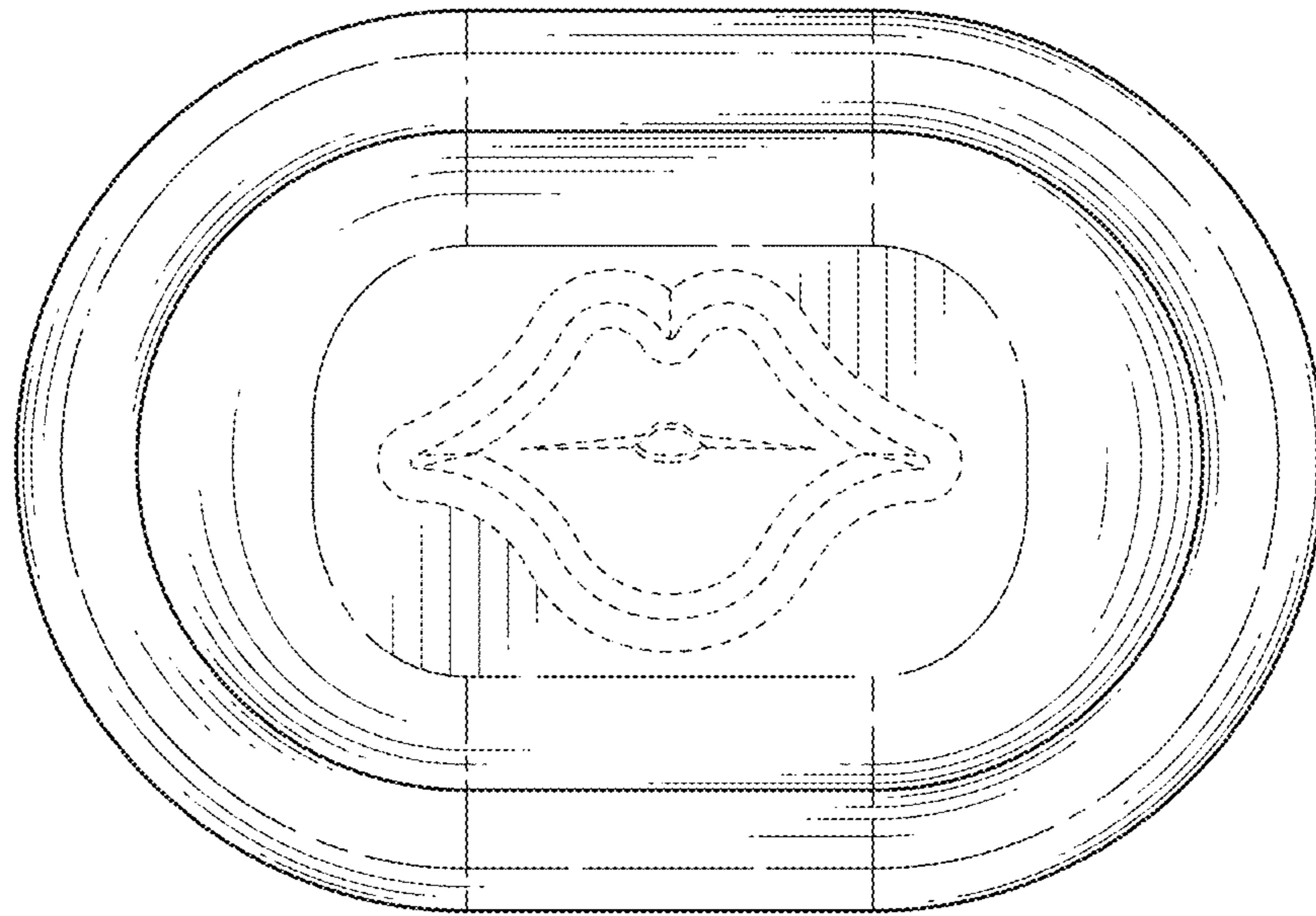


FIG. 11

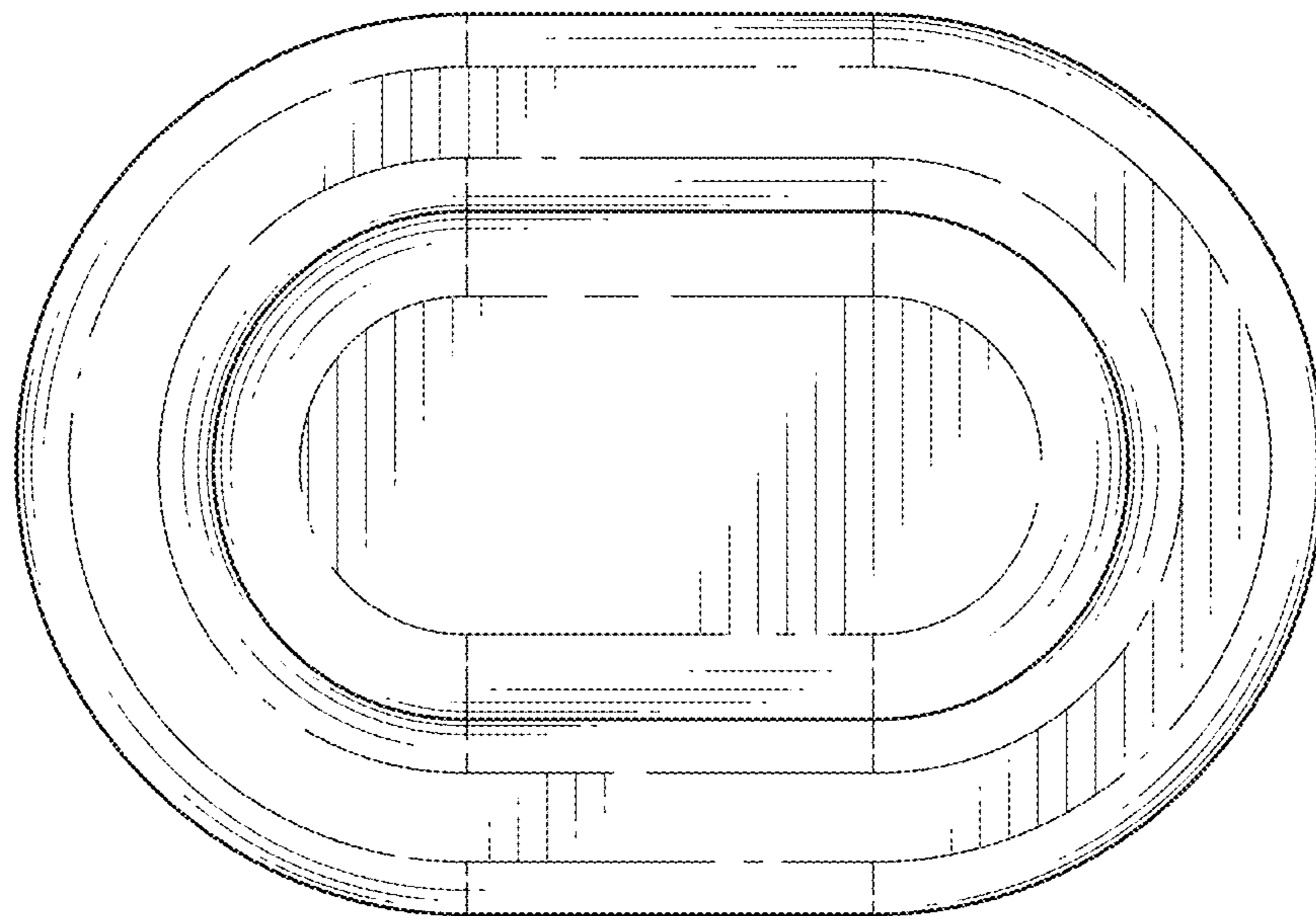


FIG. 12

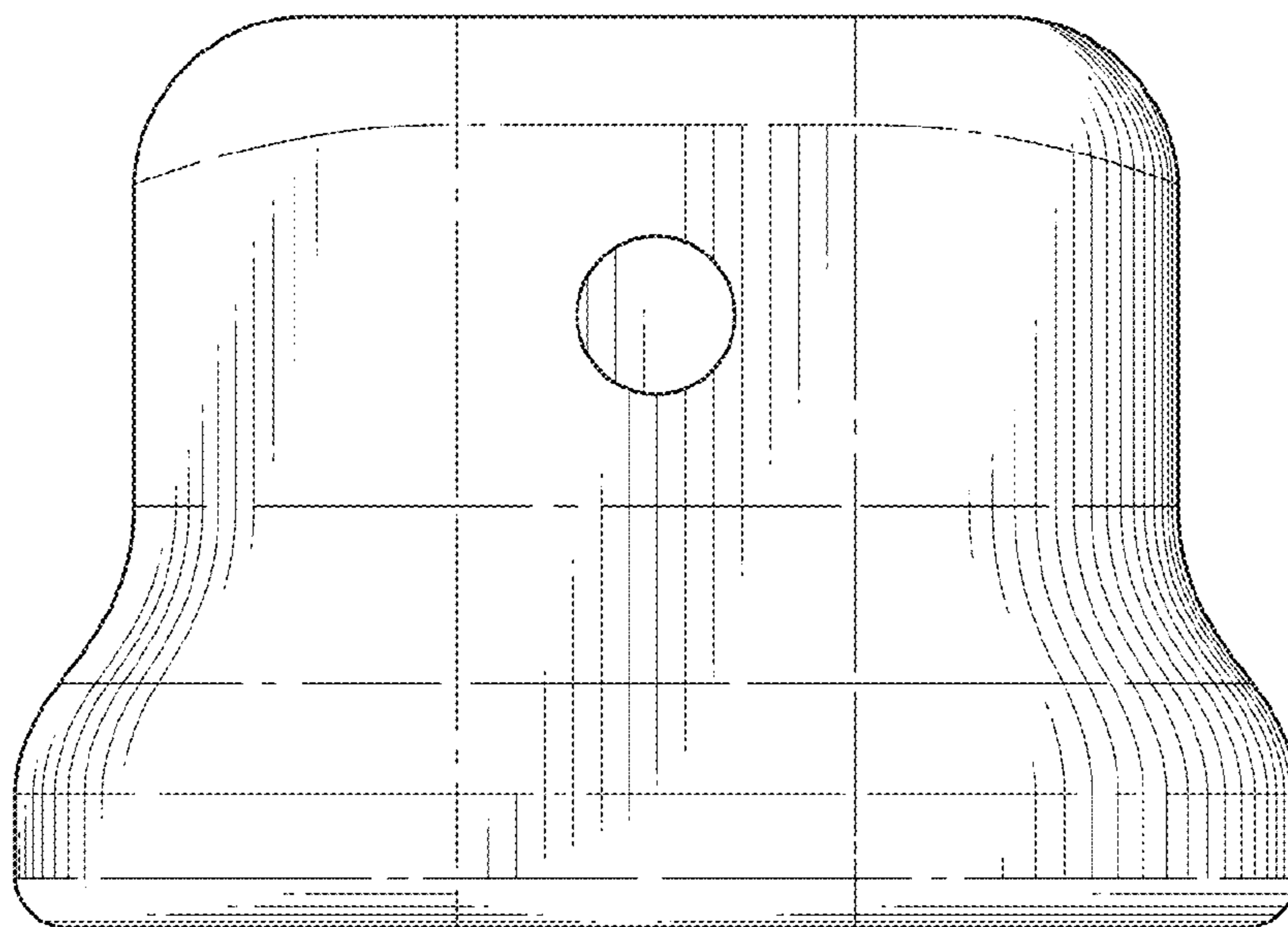


FIG. 13

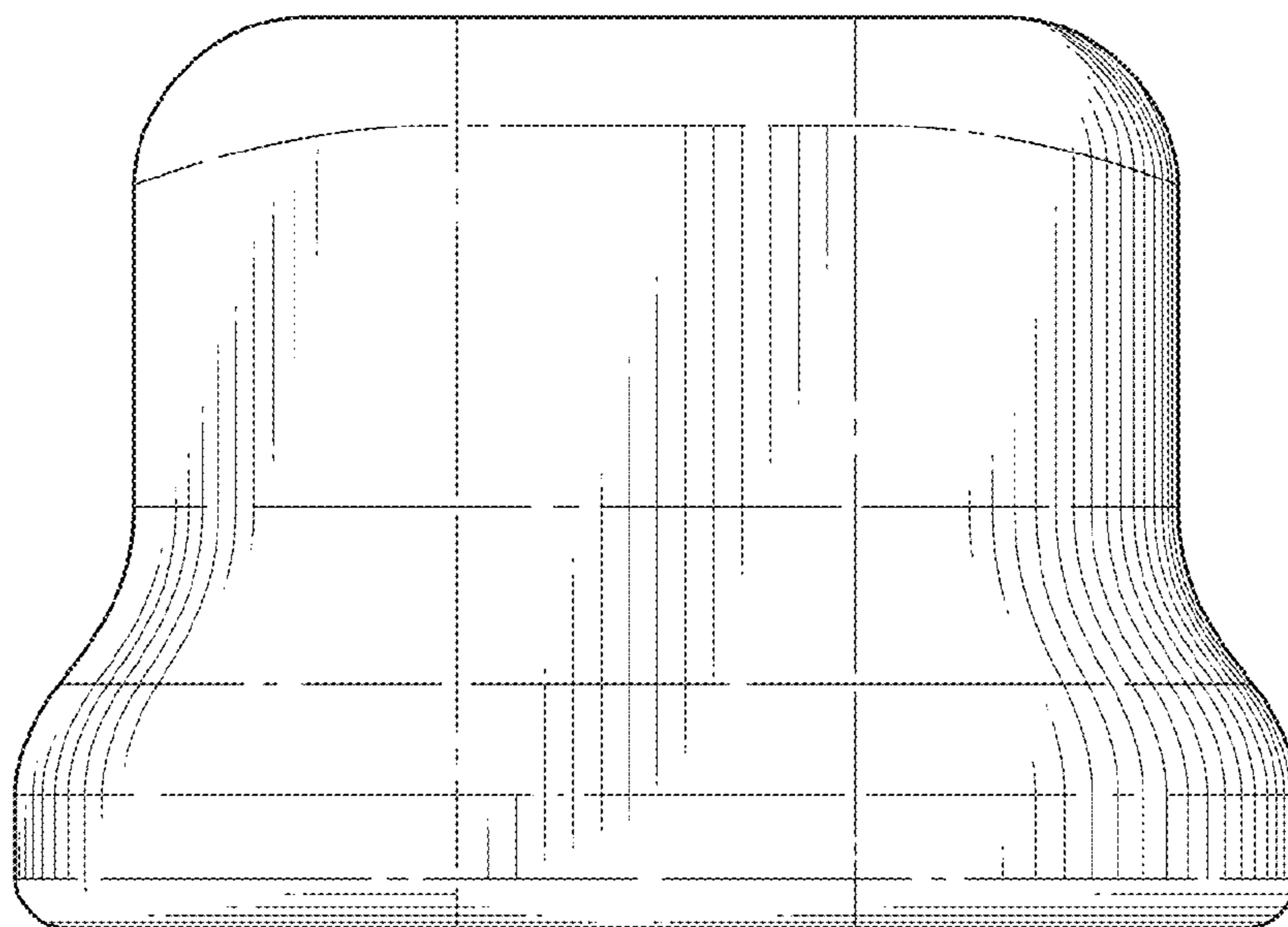


FIG. 14

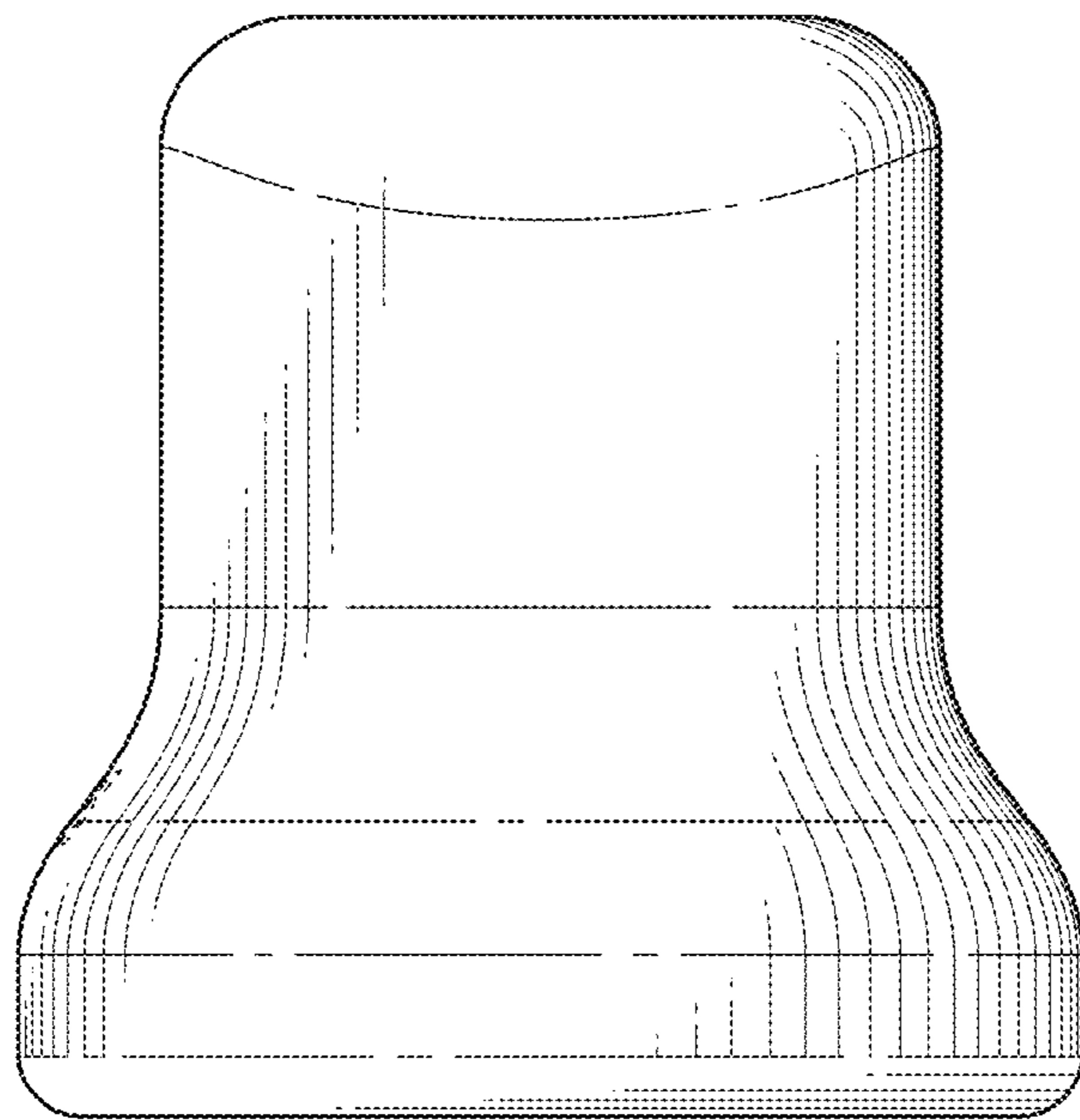


FIG. 15

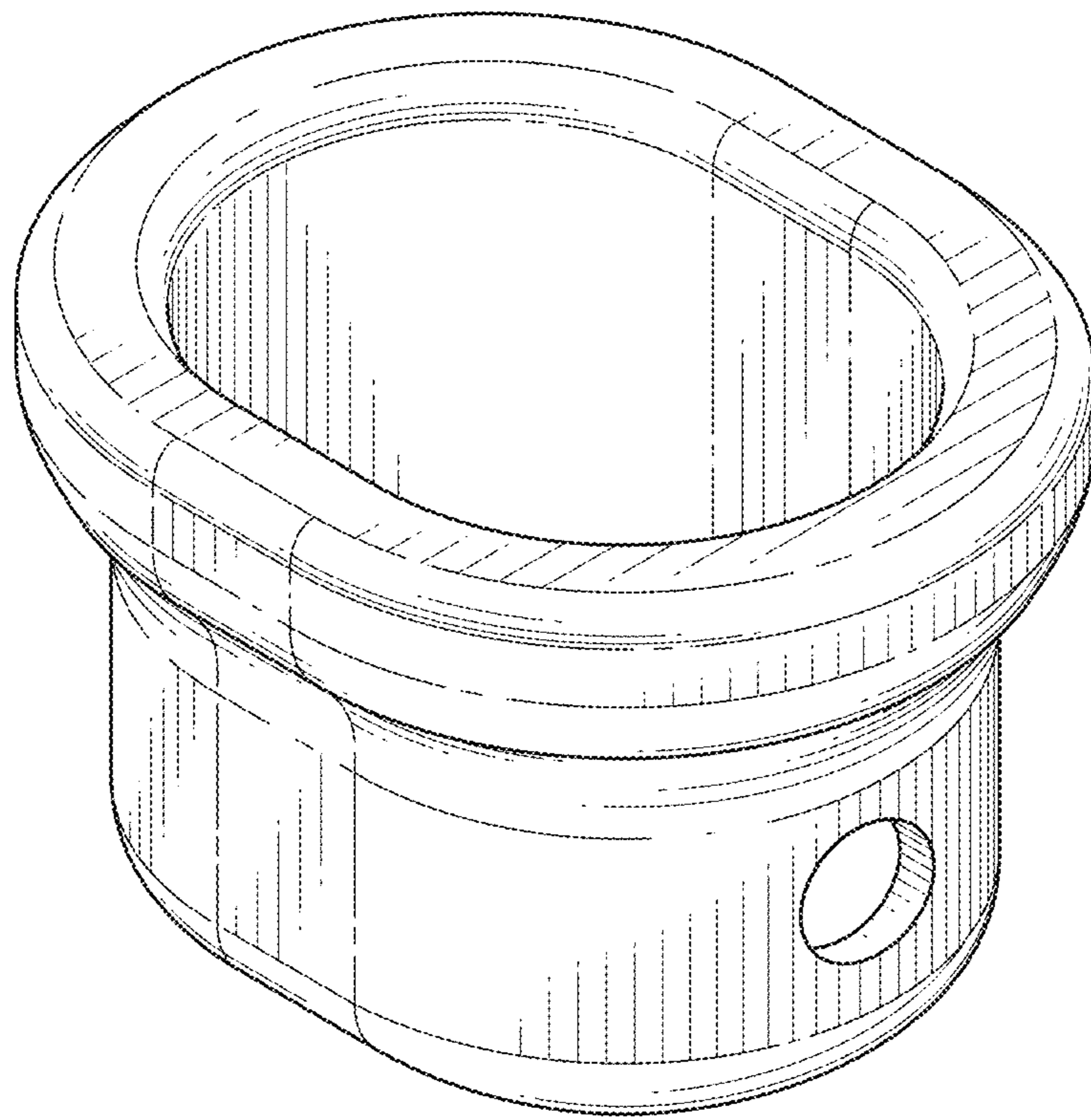


FIG. 16

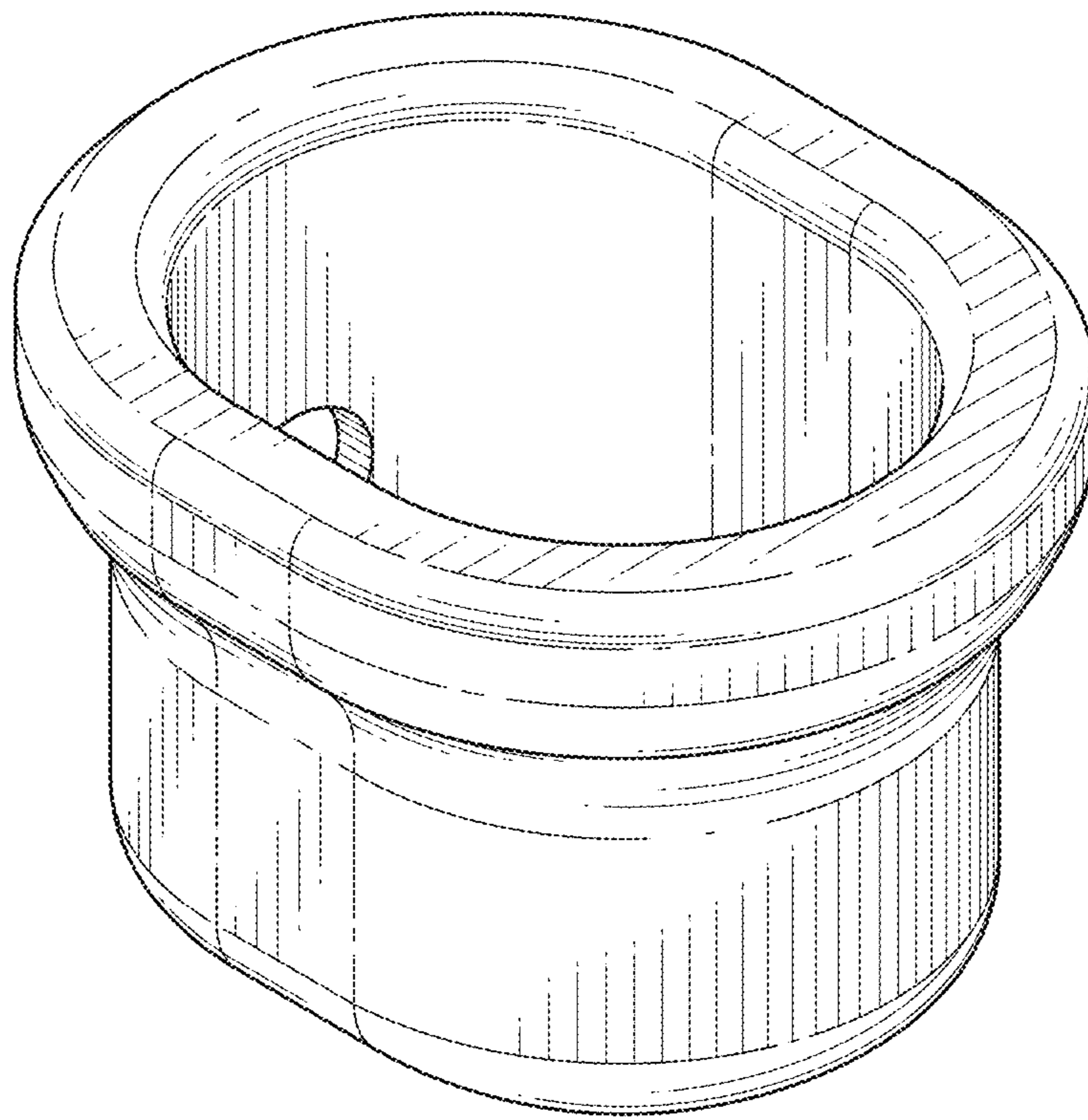


FIG. 17

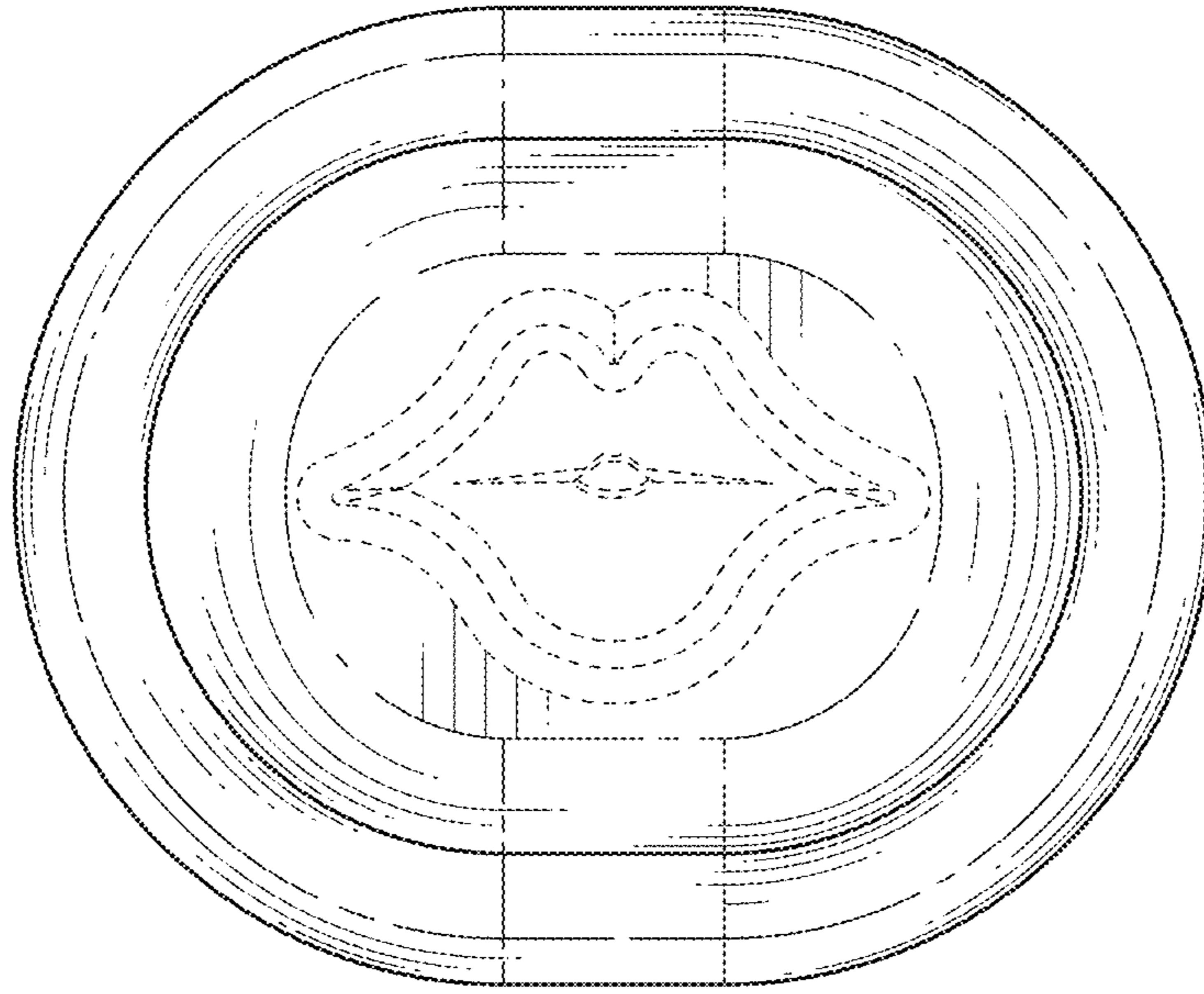


FIG. 18

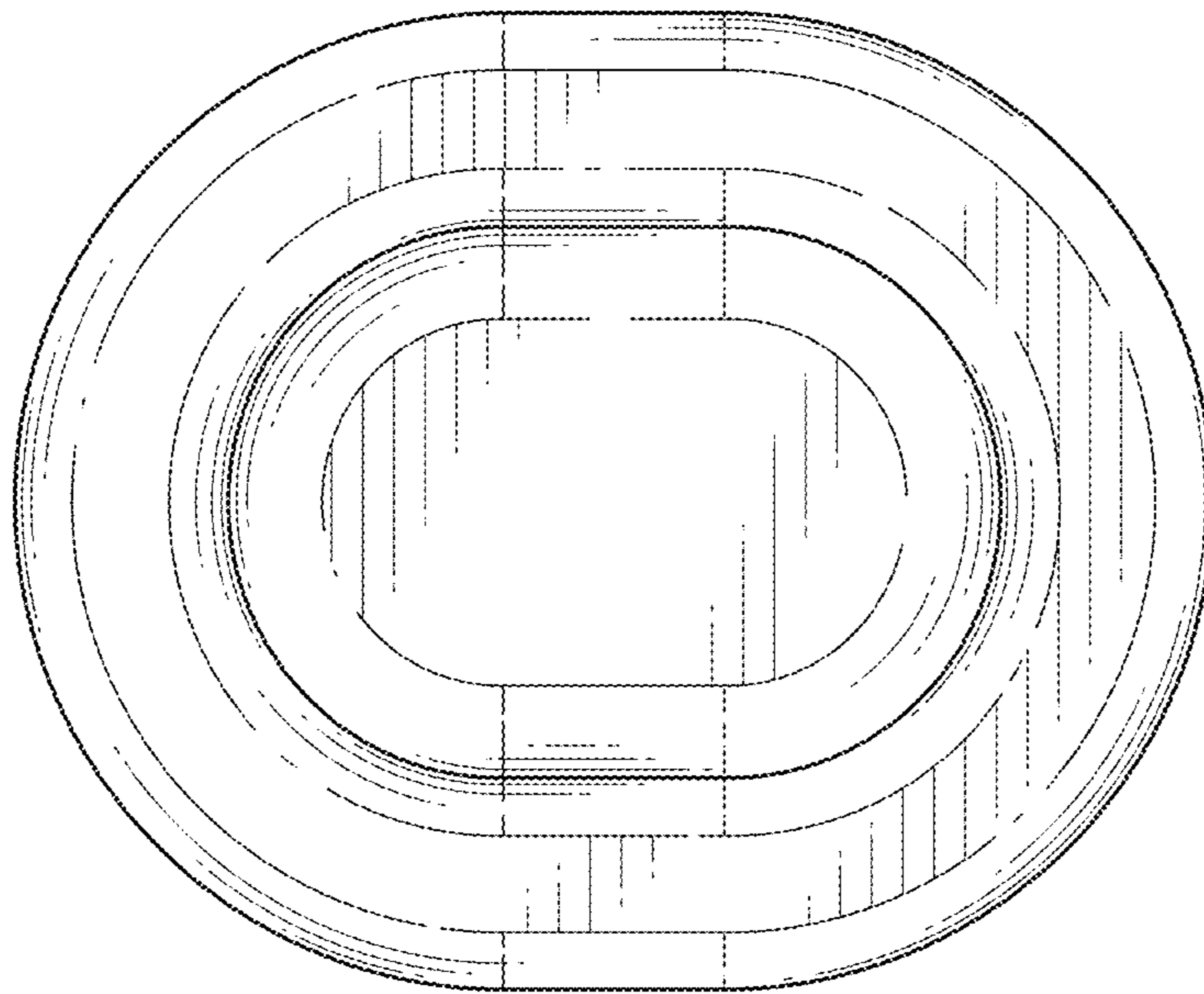


FIG. 19

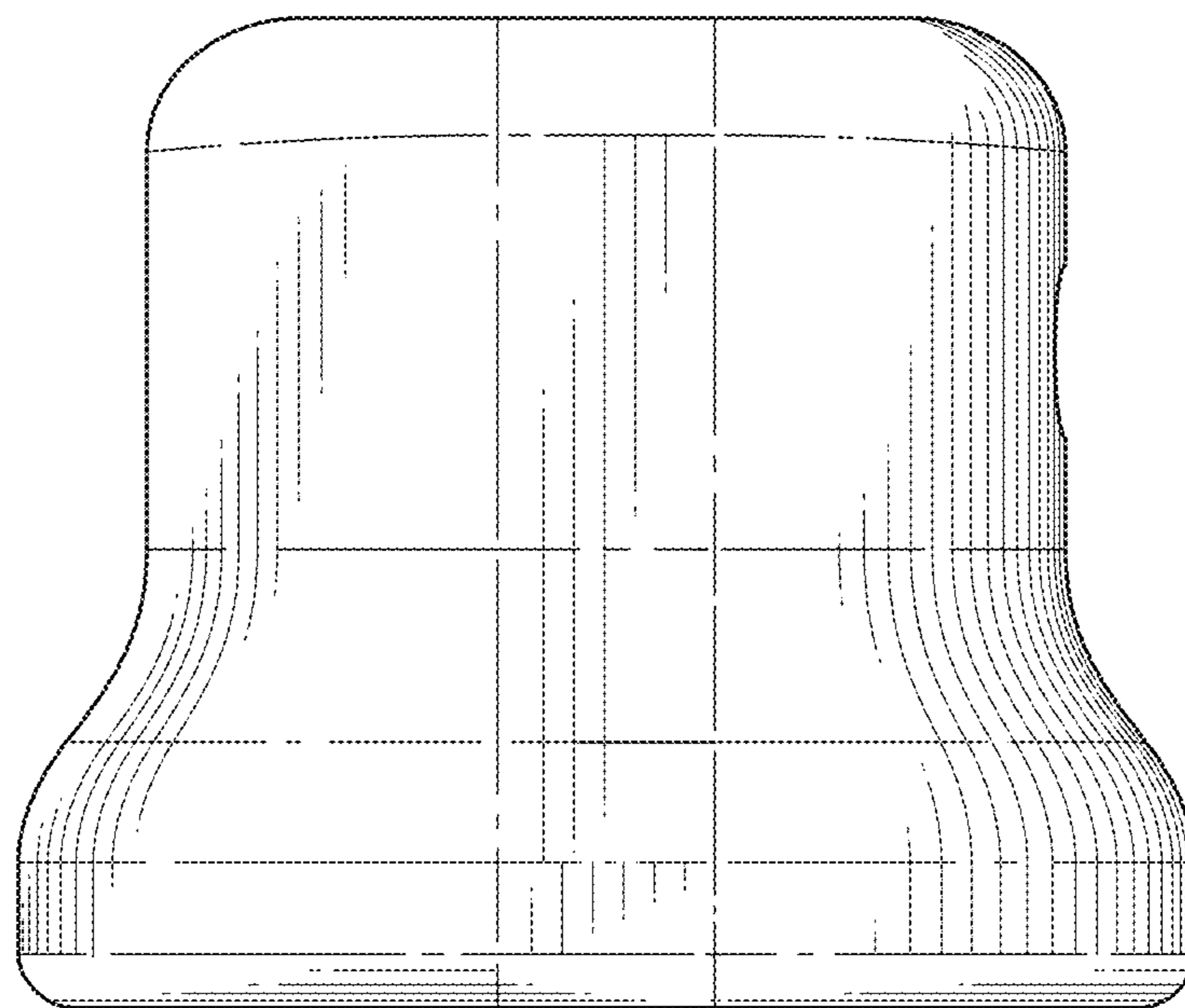


FIG. 20

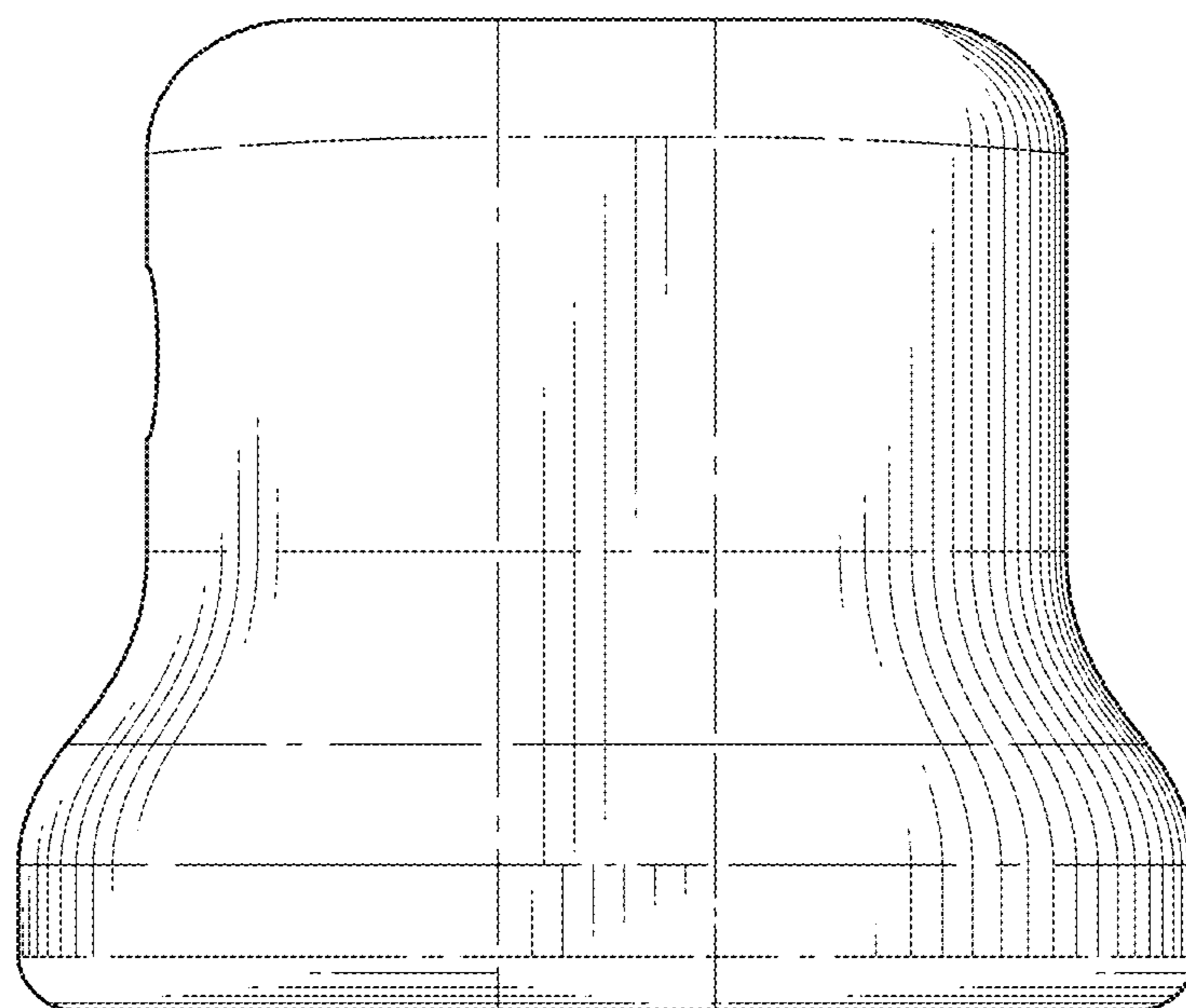


FIG. 21

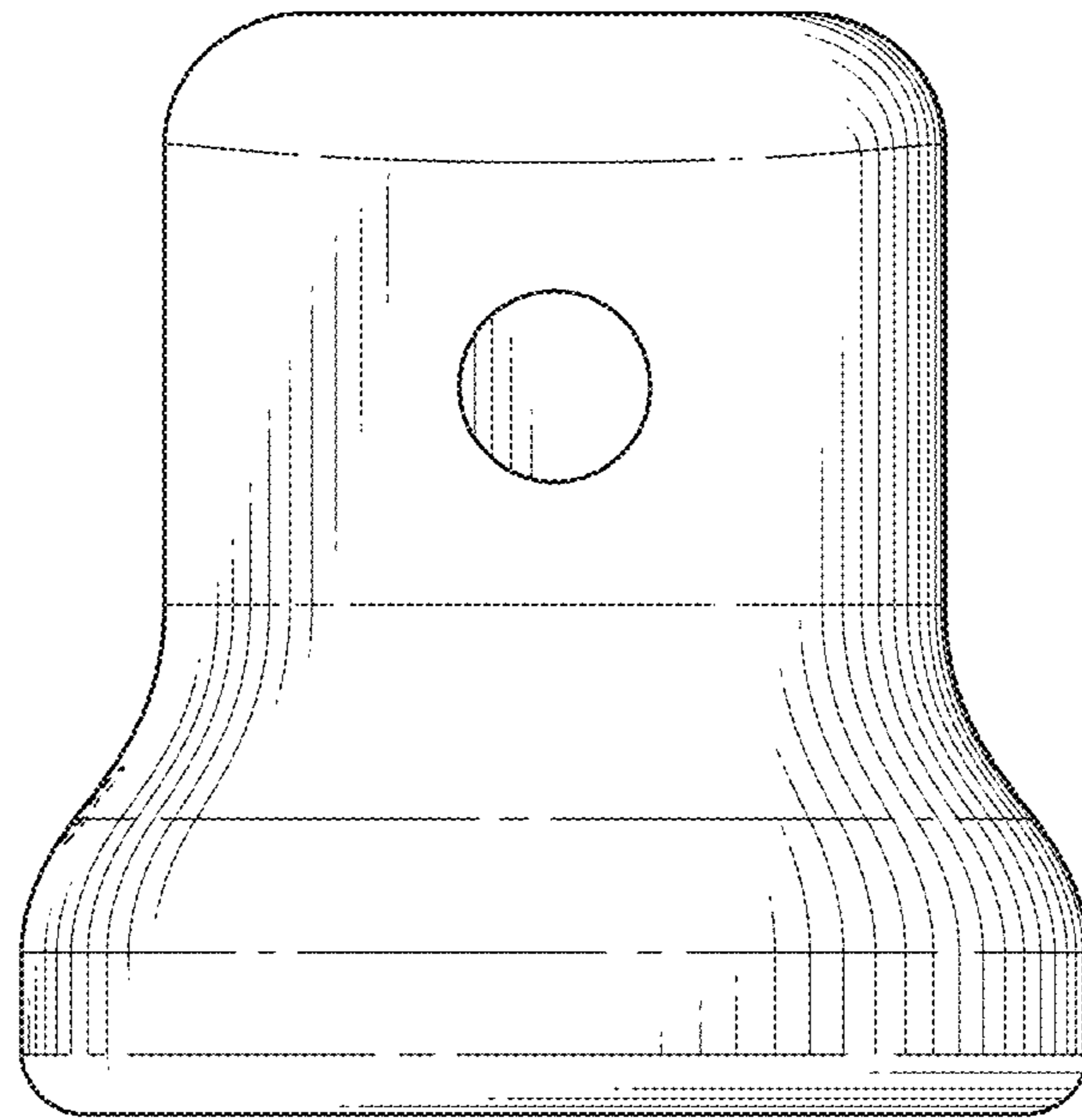


FIG. 22

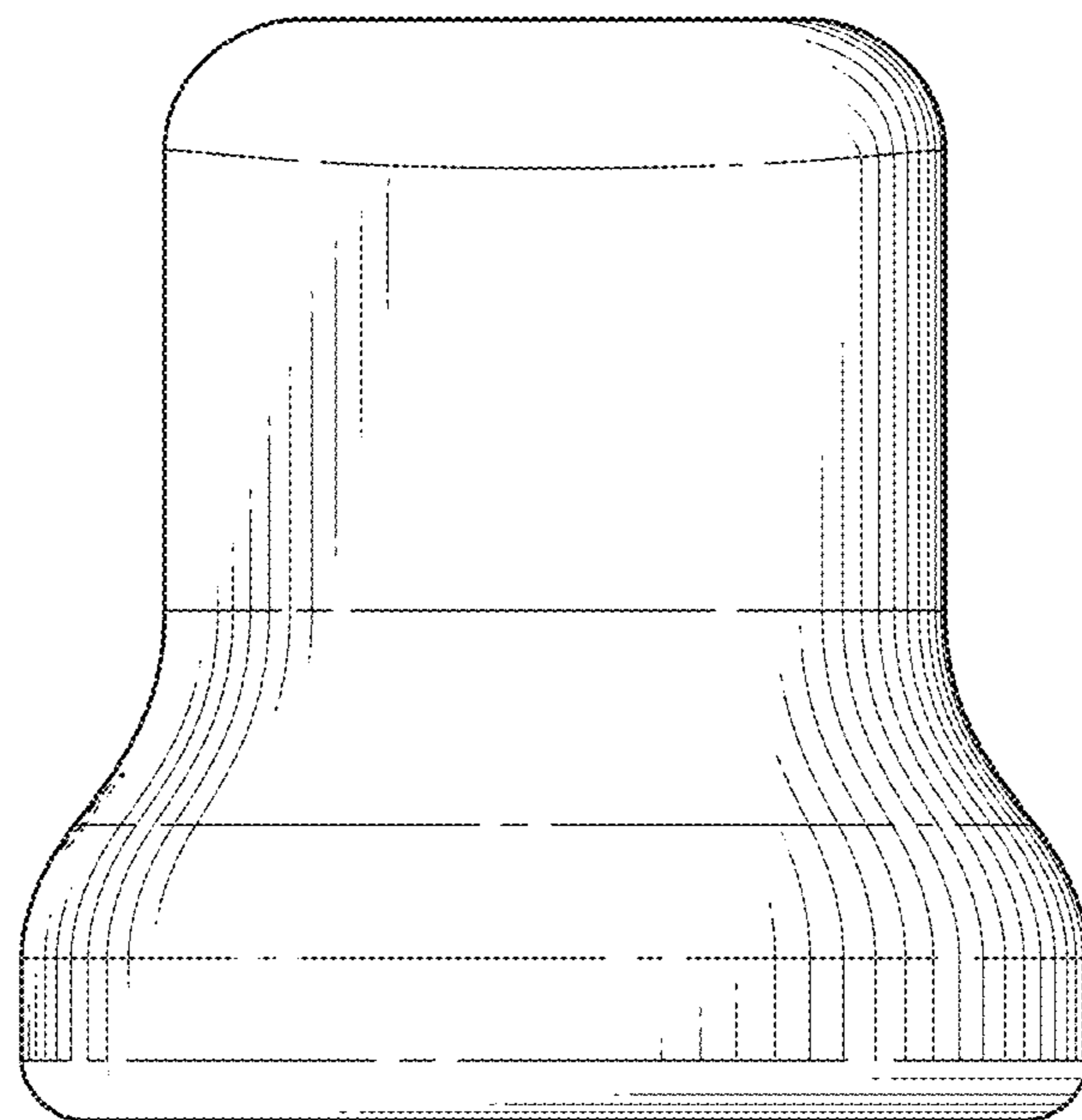


FIG. 23