

US00D762869S

(12) **United States Design Patent**
Beckman et al.

(10) **Patent No.:** **US D762,869 S**

(45) **Date of Patent:** **** Aug. 2, 2016**

(54) **ADHESIVE HEAT PATCH**

(71) Applicant: **PFIZER INC.**, New York, NY (US)

(72) Inventors: **Robert F Beckman**, Loveland, OH (US); **Marina Belkin**, West Chester, OH (US); **Kristen Hejduk Brinkdopke**, Loveland, OH (US); **Mark Edward Fagan**, Loveland, OH (US); **Matthew Clifton Keller**, Richmond, VA (US)

(73) Assignee: **Pfizer Inc.**, New York, NY (US)

(**) Term: **14 Years**

(21) Appl. No.: **29/492,857**

(22) Filed: **Jun. 3, 2014**

(51) **LOC (10) Cl.** **24-04**

(52) **U.S. Cl.**
USPC **D24/206**

(58) **Field of Classification Search**
USPC D24/135, 152, 153, 154, 155, 156, 189,
D24/200, 205, 206, 214; 607/114, 115, 108;
424/443, 520

See application file for complete search history.

(56) **References Cited**

U.S. PATENT DOCUMENTS

D572,829	S	*	7/2008	Reed	D24/206
D662,213	S	*	6/2012	Quisenberry	D24/206
D685,489	S	*	7/2013	Nishioka	D24/206
D695,902	S	*	12/2013	Daniels	D24/206
D703,826	S	*	4/2014	Nishioka	D24/206
D704,850	S	*	5/2014	Nishioka	D24/206
D706,944	S	*	6/2014	Igaue	D24/206
D741,998	S	*	10/2015	Martin	D24/135
2009/0326427	A1	*	12/2009	Kawahara	A61F 5/024 602/19

* cited by examiner

Primary Examiner — Garth Rademaker

Assistant Examiner — Samantha Q Lawrence

(74) *Attorney, Agent, or Firm* — Keith D. Hutchinson;
Jeffrey M. Gold

(57) **CLAIM**

The ornamental design for an adhesive heat patch, as shown and described.

DESCRIPTION

FIG. 1 is a top angled view of the adhesive heat patch showing our new design;

FIG. 2 is a bottom view thereof;

FIG. 3 is a top view thereof;

FIG. 4 is an end view thereof;

FIG. 5 is a side view thereof; and,

FIG. 6 is a partial side magnified view thereof.

1 Claim, 2 Drawing Sheets

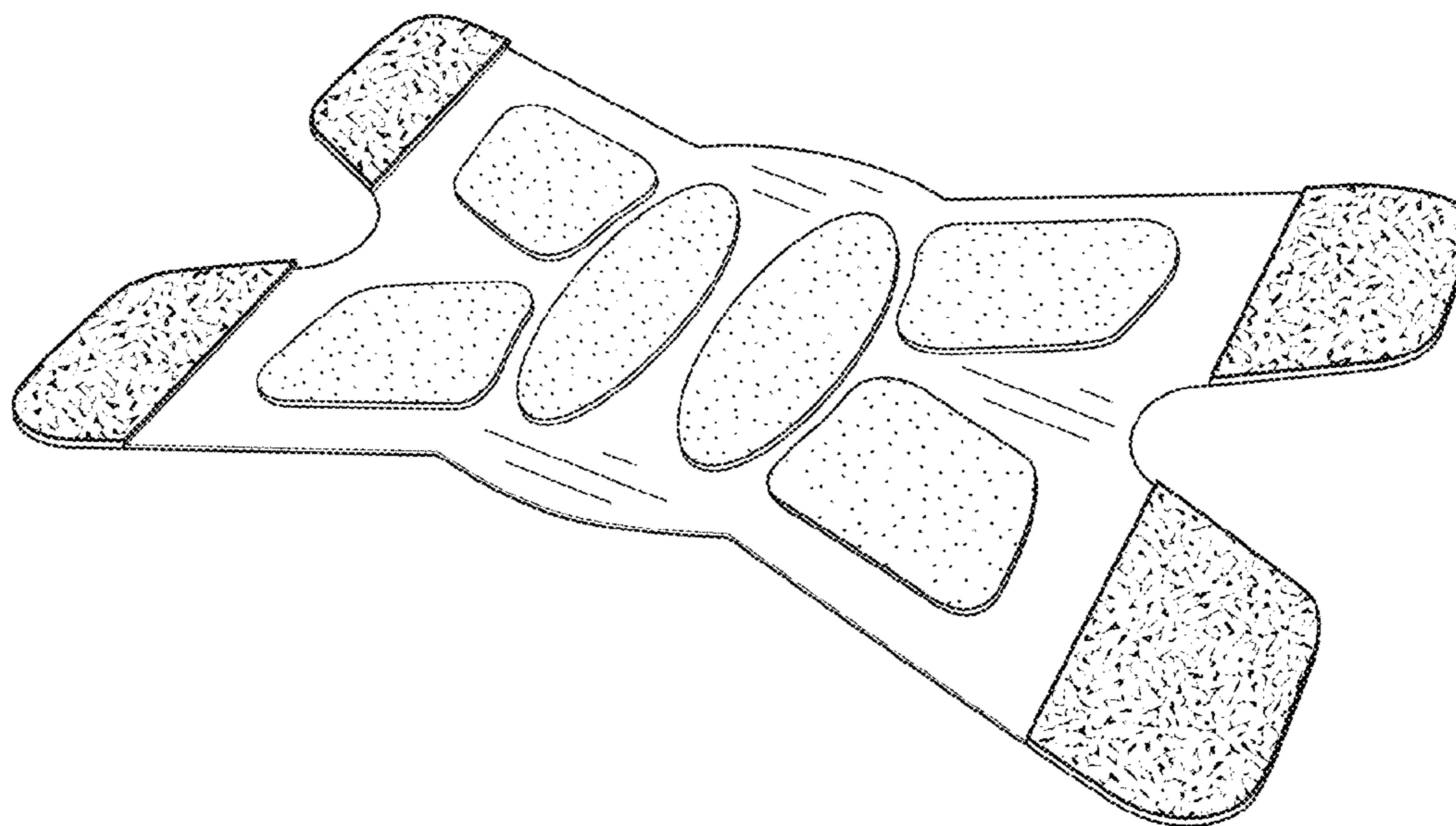


FIG. 1

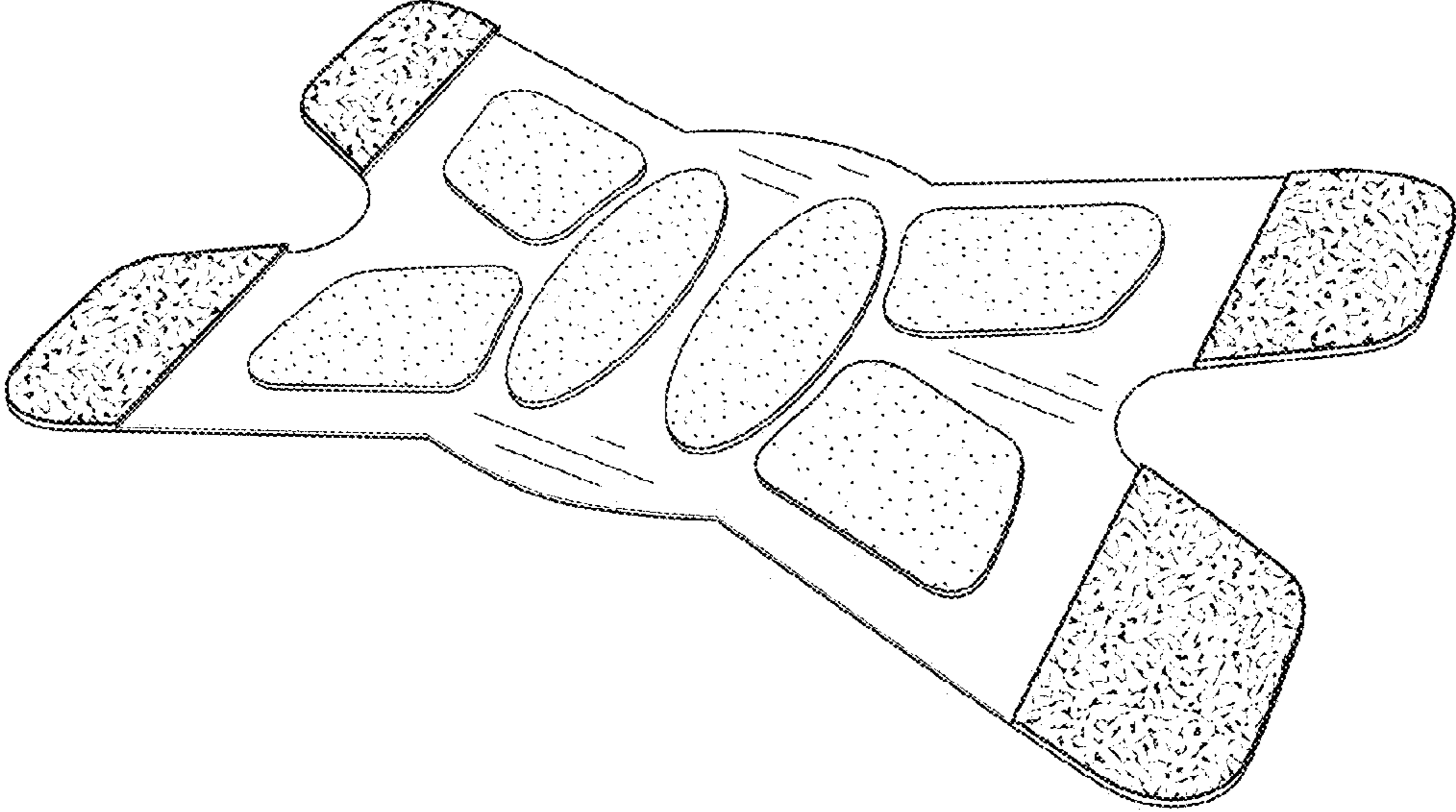


FIG. 2

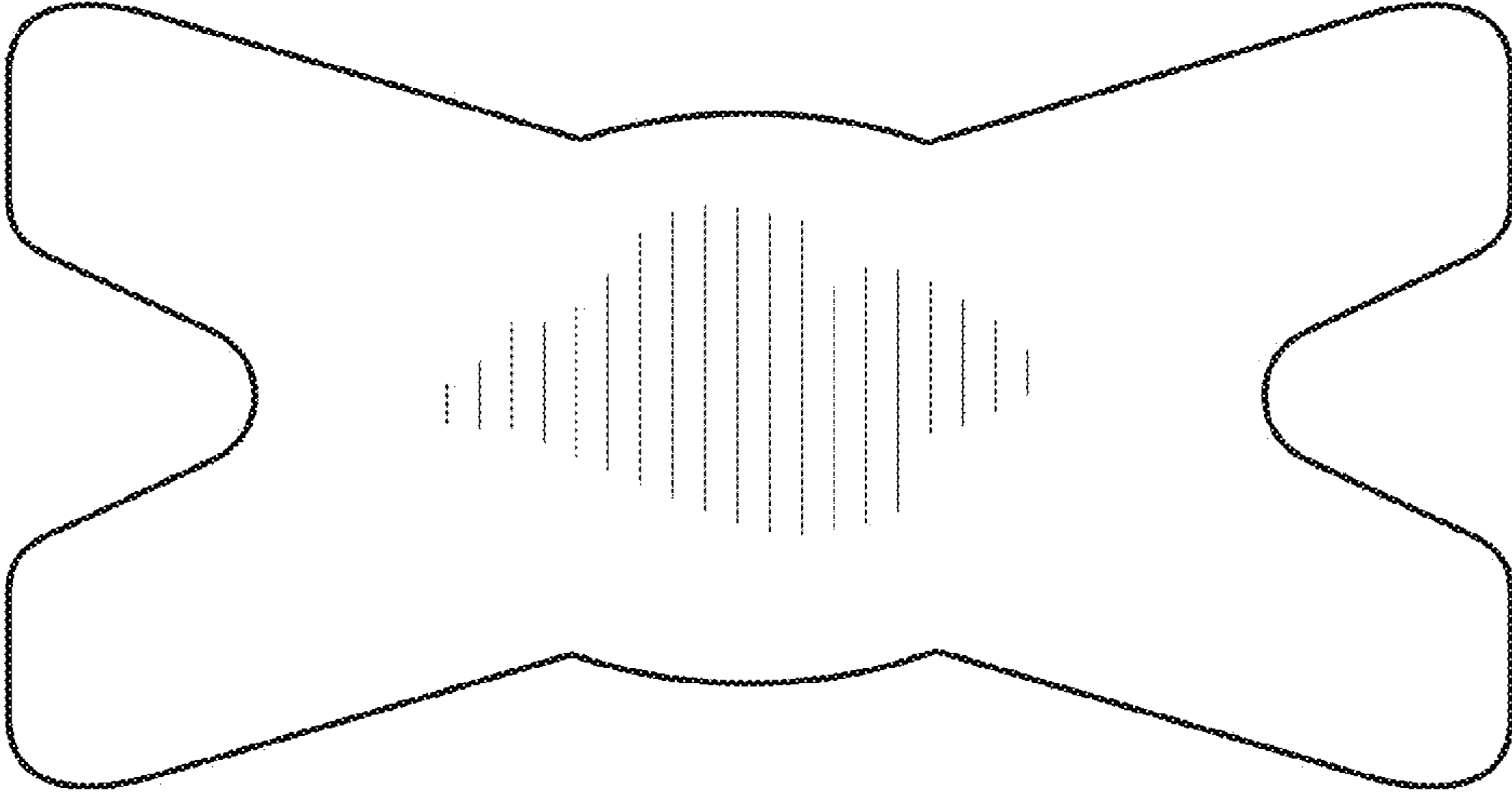


FIG. 3

FIG. 4

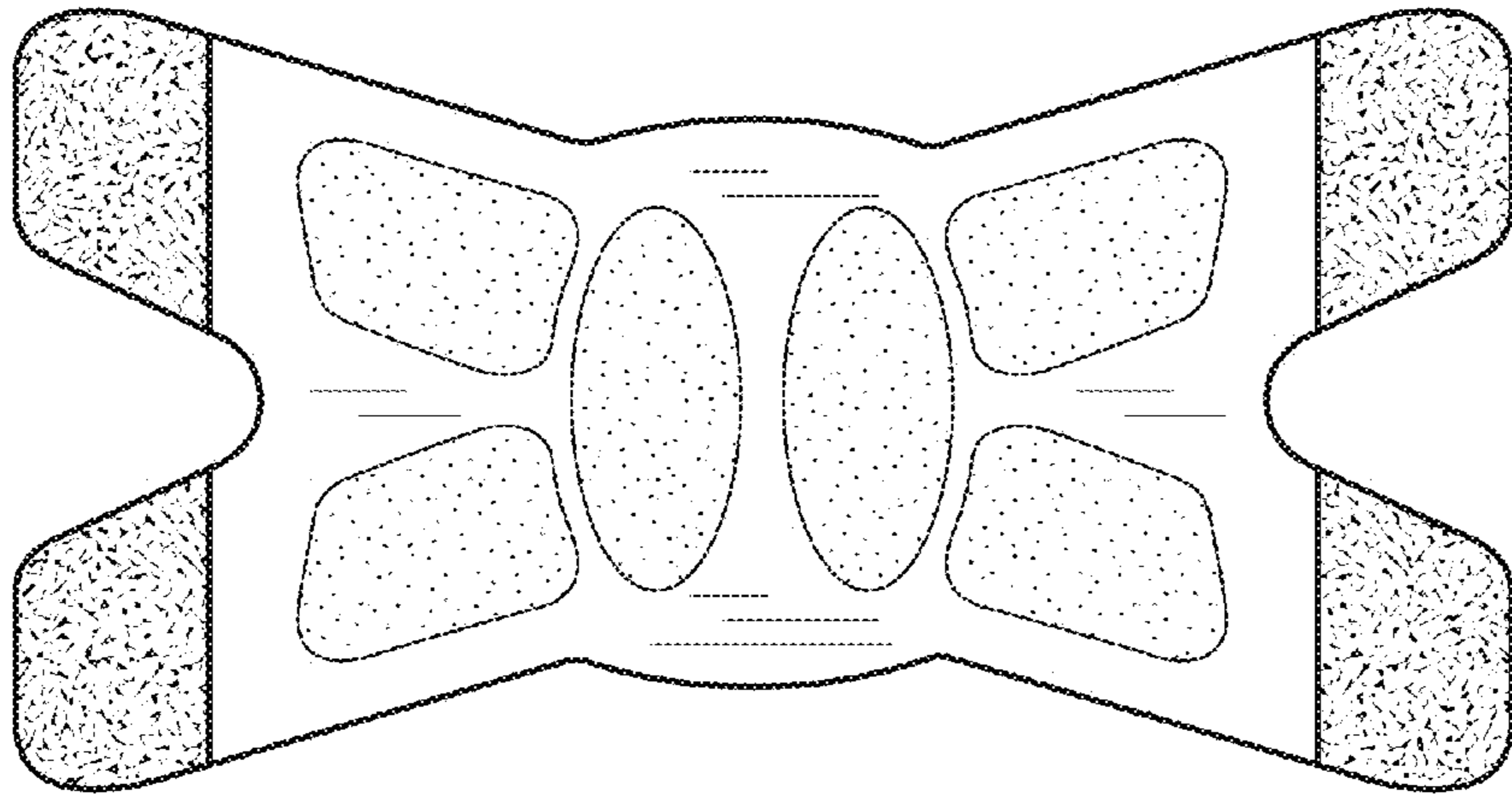


FIG. 5

FIG. 6

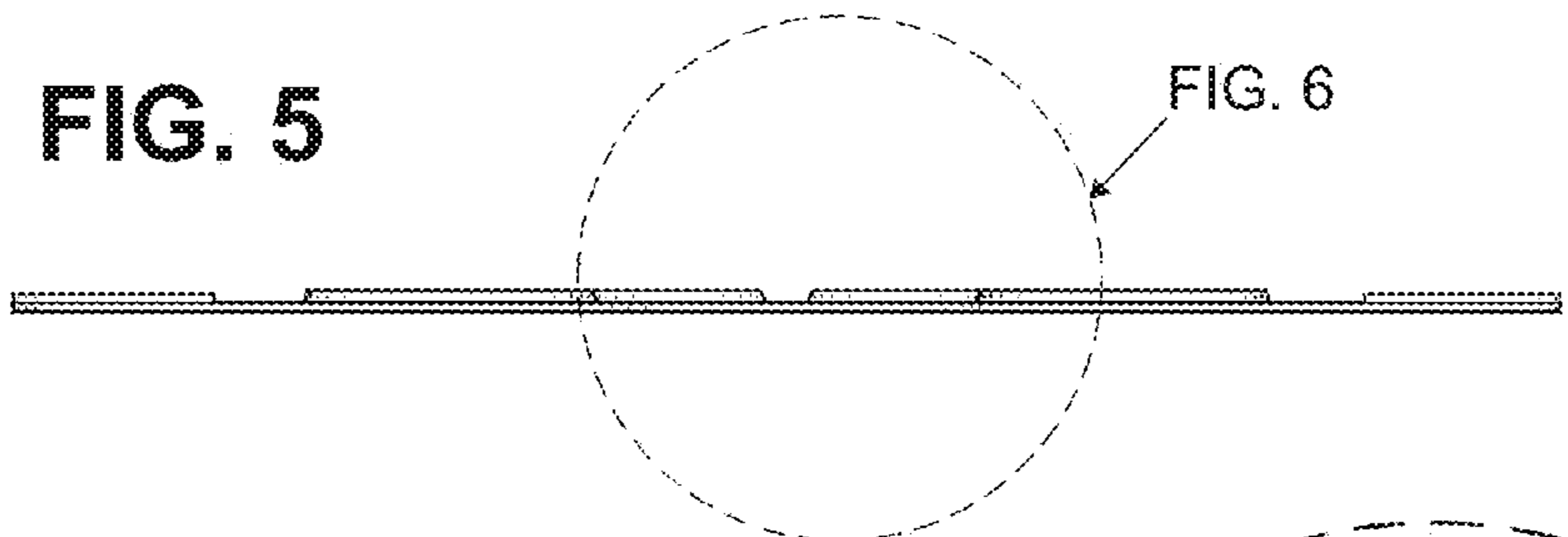


FIG. 6

