

US00D762868S

(12) **United States Design Patent**  
**Walker et al.**

(10) **Patent No.:** **US D762,868 S**  
(45) **Date of Patent:** **\*\* Aug. 2, 2016**

(54) **WATER JET HOUSING**

(71) Applicant: **Custom Molded Products, Inc.**,  
Newnan, GA (US)

(72) Inventors: **Victor L. Walker**, Temecula, CA (US);  
**Zachary T. Vogtner**, Atlanta, GA (US)

(73) Assignee: **Custom Molded Products, Inc.**,  
Newnan, GA (US)

(\*\*) Term: **14 Years**

(21) Appl. No.: **29/508,152**

(22) Filed: **Nov. 4, 2014**

(51) **LOC (10) Cl.** ..... **23-02**

(52) **U.S. Cl.**  
USPC ..... **D24/201**

(58) **Field of Classification Search**  
USPC ..... D23/213, 278, 360, 362; D24/201, 203,  
D24/204; 4/424, 526, 532, 541.1-541.6,  
4/547, 578, 579; 601/154-158  
CPC ..... A61H 2033/061; A61H 33/00; A61H  
33/0087; A61H 33/02; A61H 33/066; A61H  
33/067; A61H 33/60; A61H 33/6063; B05B  
1/18; B05B 1/185; E03C 1/0408  
See application file for complete search history.

(56) **References Cited**

**U.S. PATENT DOCUMENTS**

2,323,464 A \* 7/1943 Glessner ..... 239/441  
6,510,277 B1 \* 1/2003 Dongo ..... 385/147

D555,761 S \* 11/2007 Dingler et al. .... D23/213  
D610,226 S \* 2/2010 Yabe et al. .... D23/213  
2005/0039251 A1 \* 2/2005 Colin ..... 4/541.6  
2007/0226893 A1 \* 10/2007 Edris ..... 4/541.6  
2010/0006158 A1 \* 1/2010 Castellote et al. .... 137/13  
2012/0174312 A1 \* 7/2012 Loyd et al. .... 4/541.6  
2012/0192348 A1 \* 8/2012 Campbell ..... 4/541.6  
2012/0311777 A1 \* 12/2012 Le et al. .... 4/541.6  
2013/0048756 A1 \* 2/2013 Drury et al. .... 239/428.5

\* cited by examiner

*Primary Examiner* — Ian Simmons

*Assistant Examiner* — Lisa A Grabenstetter

(74) *Attorney, Agent, or Firm* — Laurence P. Colton; Smith  
Tempel Blaha LLC

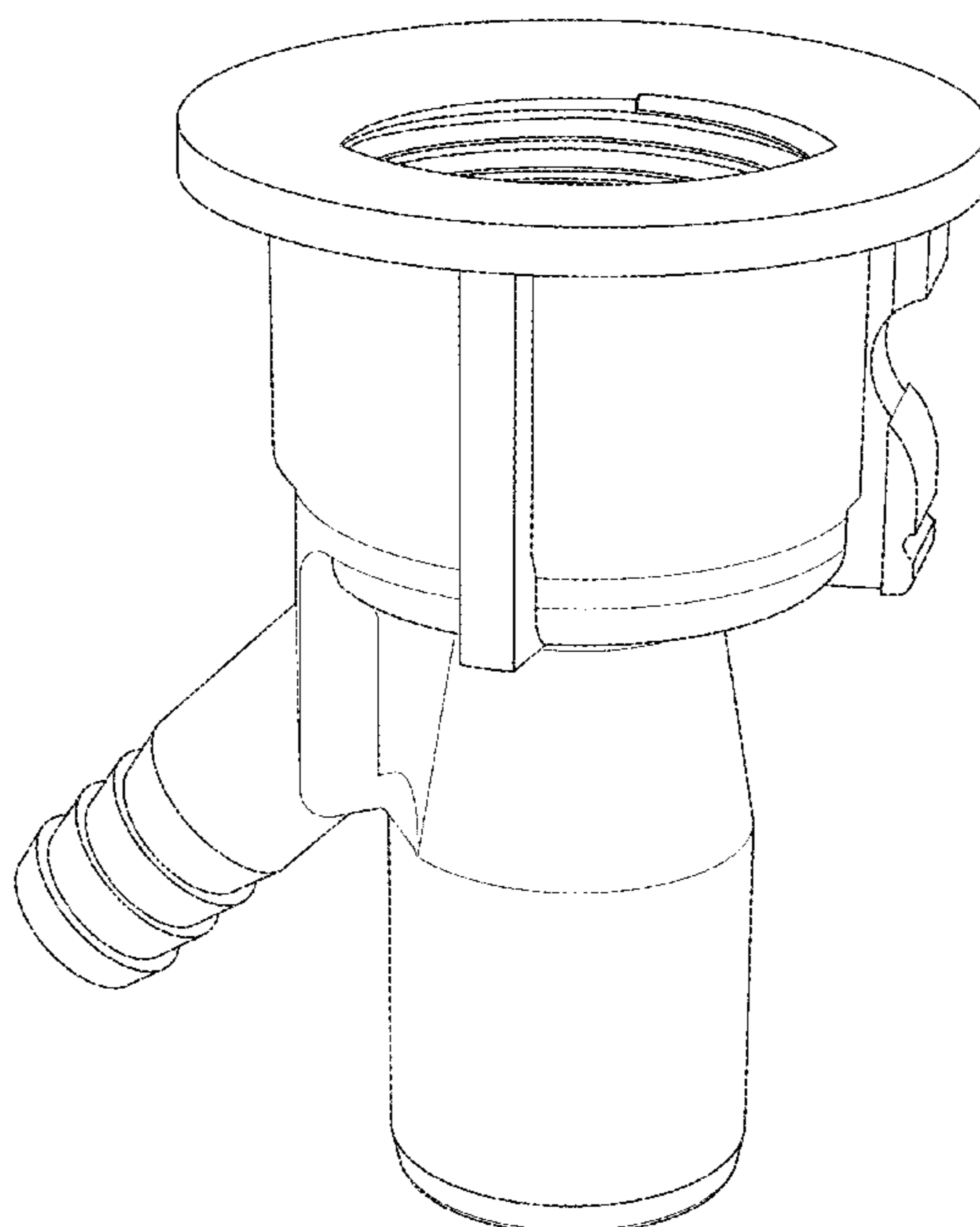
(57) **CLAIM**

The ornamental design for a water jet housing, as shown and  
described.

**DESCRIPTION**

FIG. 1 is a perspective view of a water jet housing showing  
our new design.  
FIG. 2 is a top plan view thereof.  
FIG. 3 is a front elevation view thereof.  
FIG. 4 is a back elevation view thereof.  
FIG. 5 is a left side elevation view thereof.  
FIG. 6 is a right side elevation view thereof; and,  
FIG. 7 is a bottom plan view thereof.  
The broken line portions of FIGS. 2 and 7 are included to  
show unclaimed subject matter only and form no part of the  
claimed design.

**1 Claim, 7 Drawing Sheets**



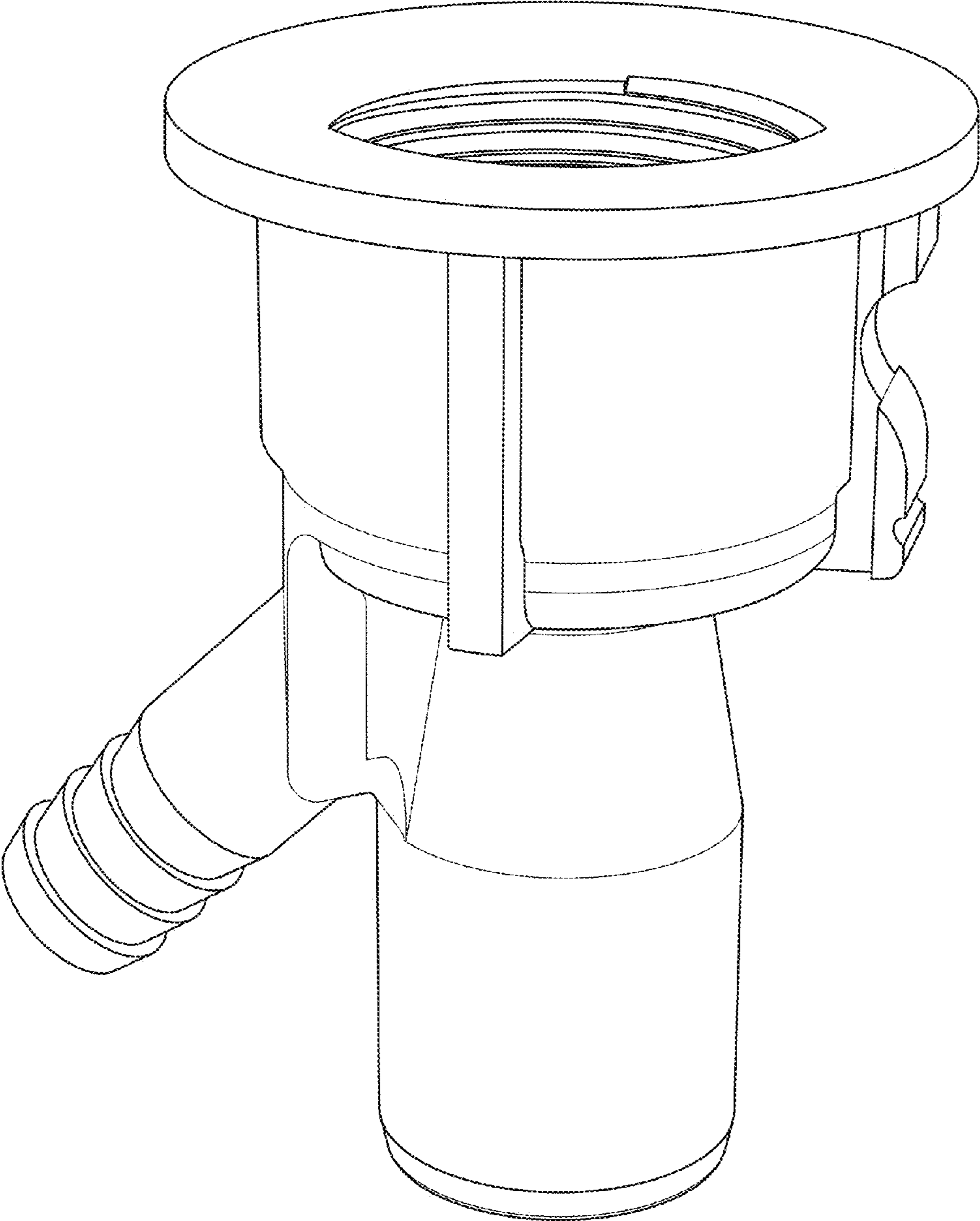


FIG. 1

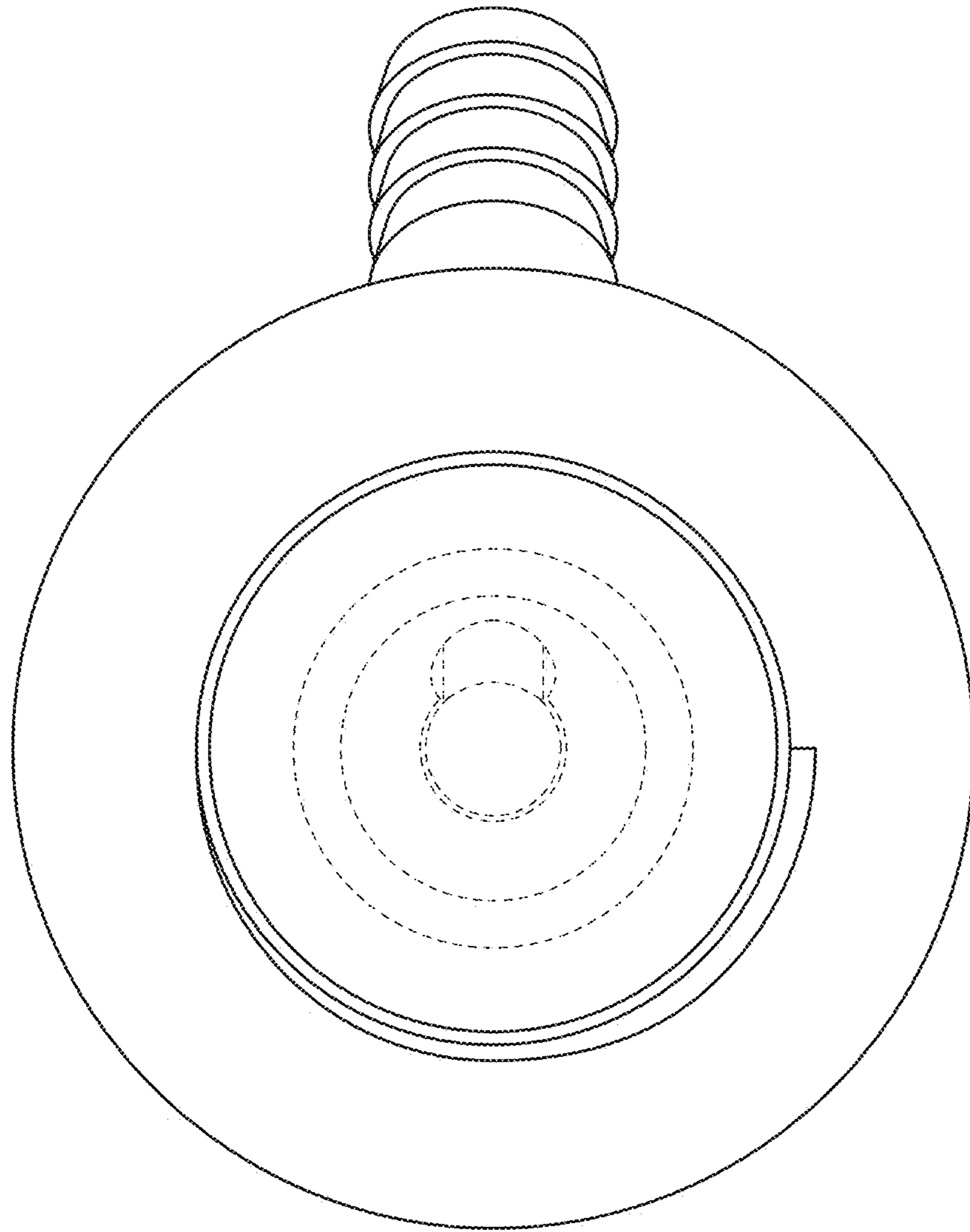


FIG. 2

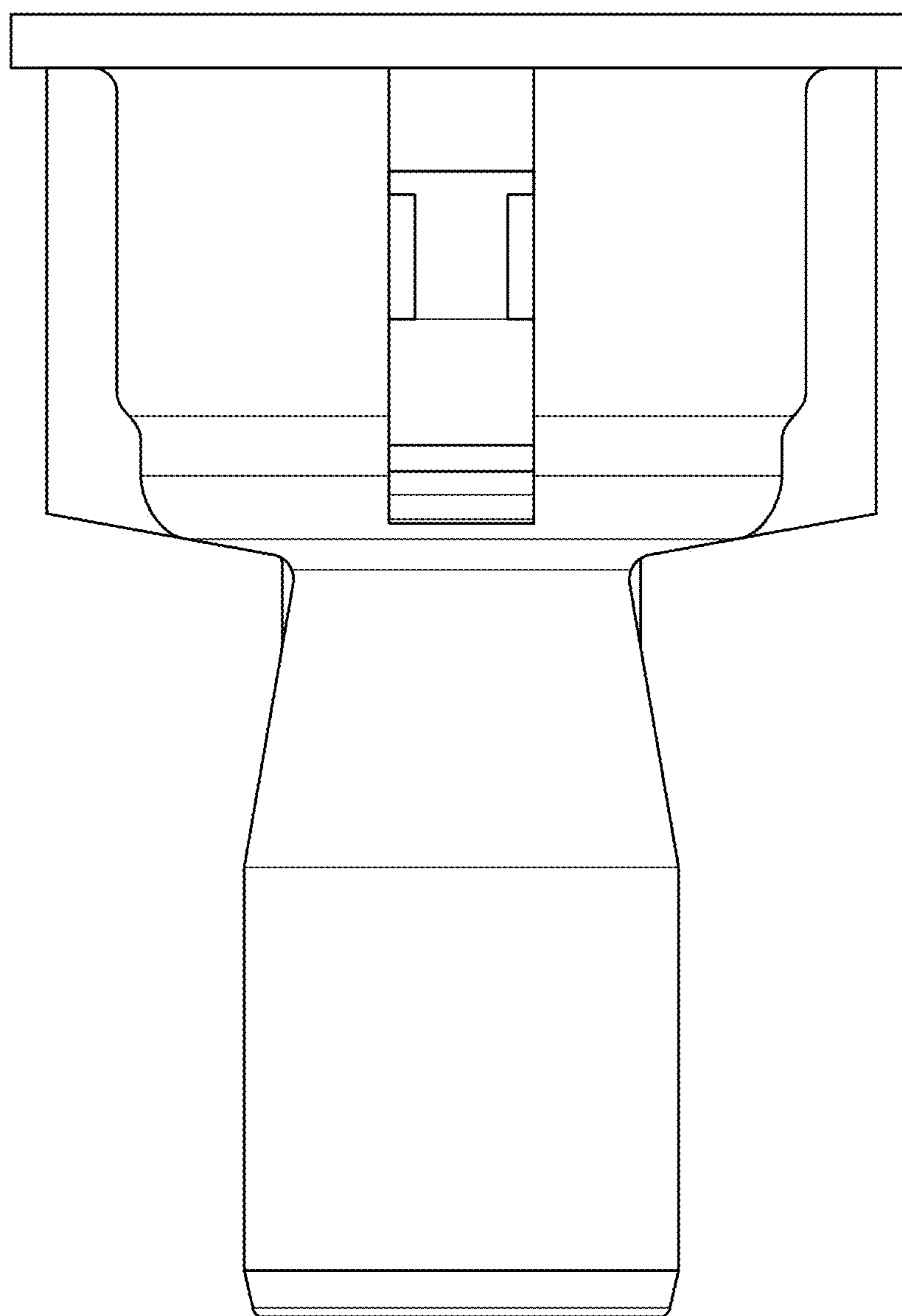


FIG. 3

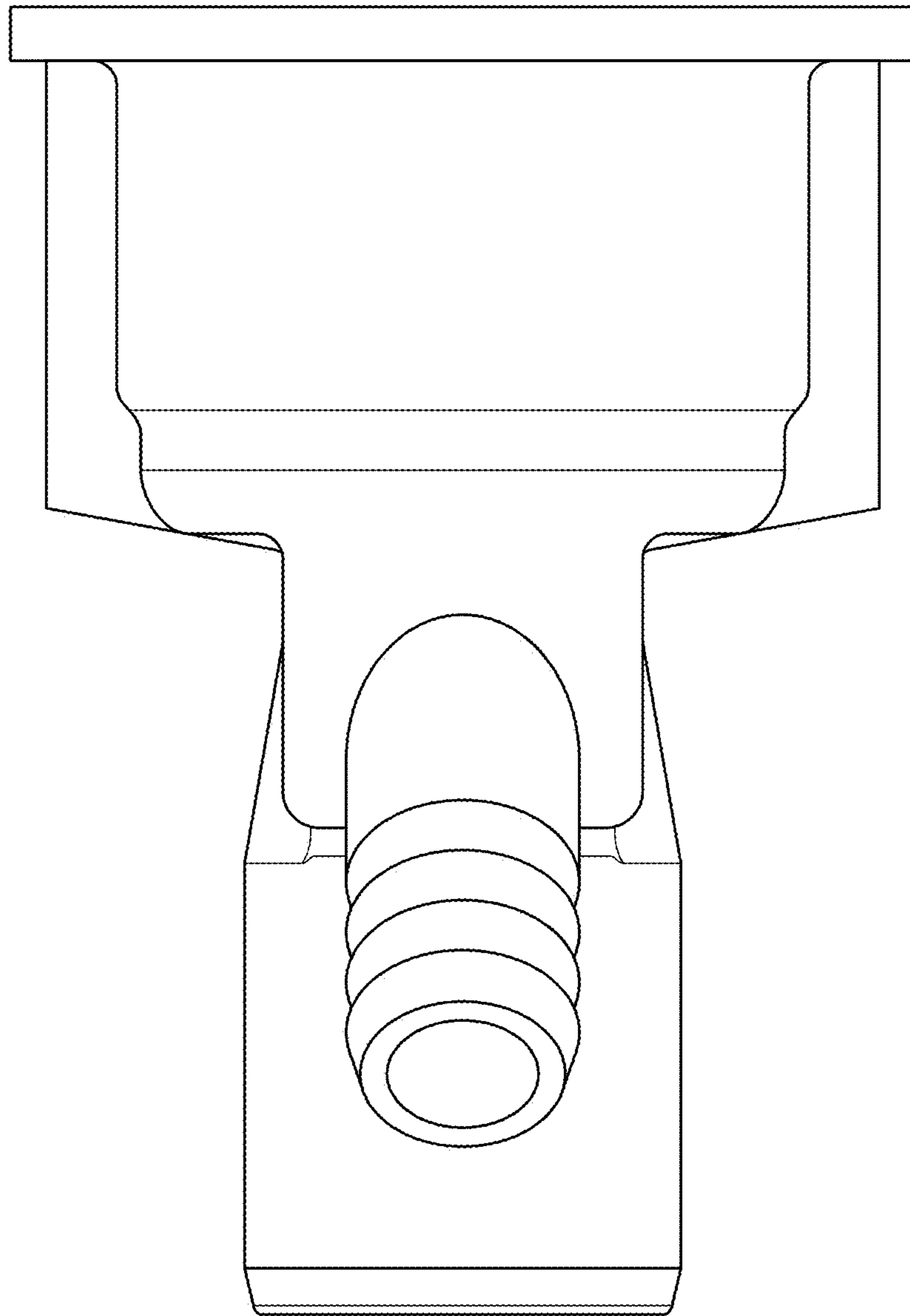


FIG. 4

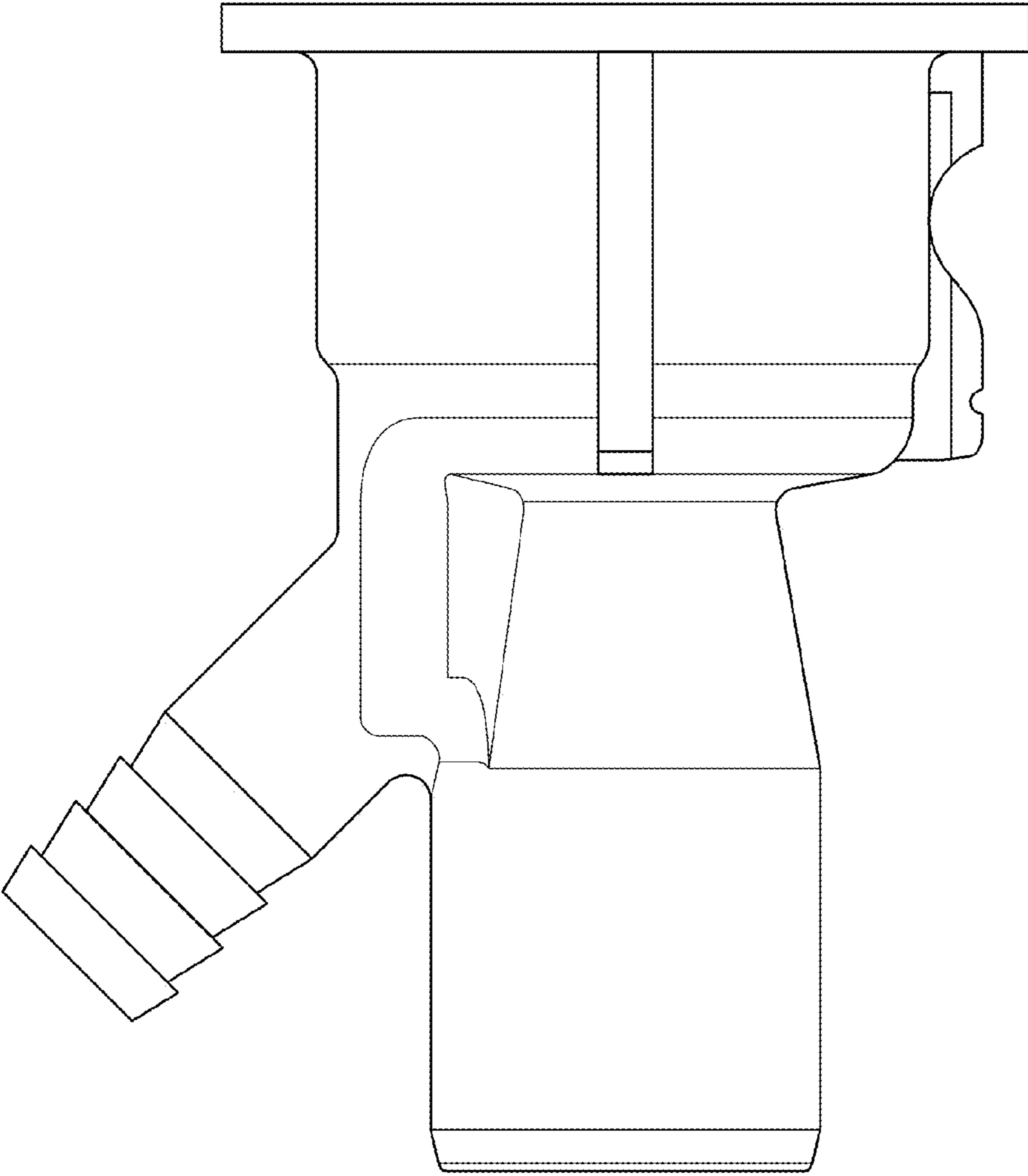


FIG. 5

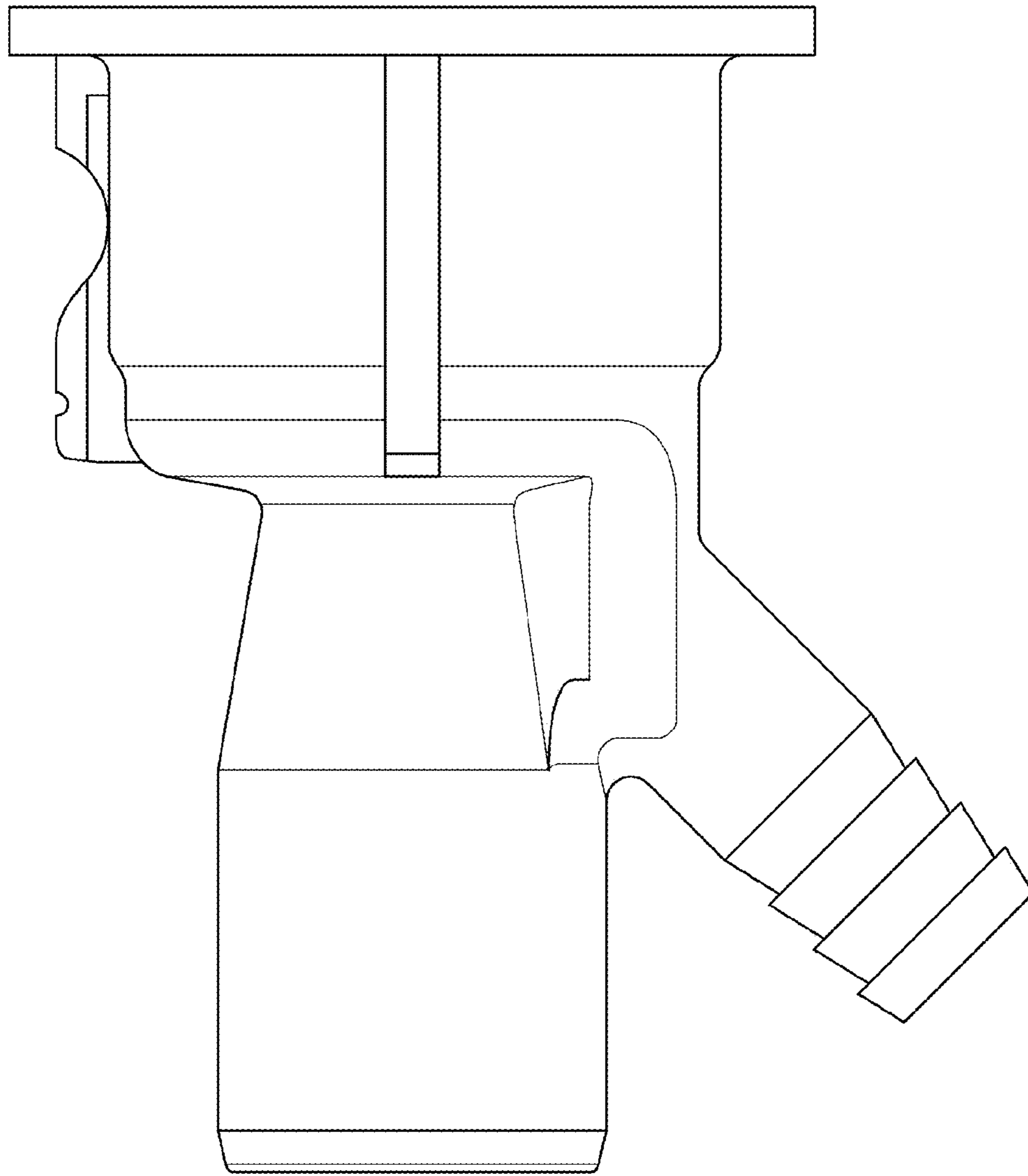


FIG. 6



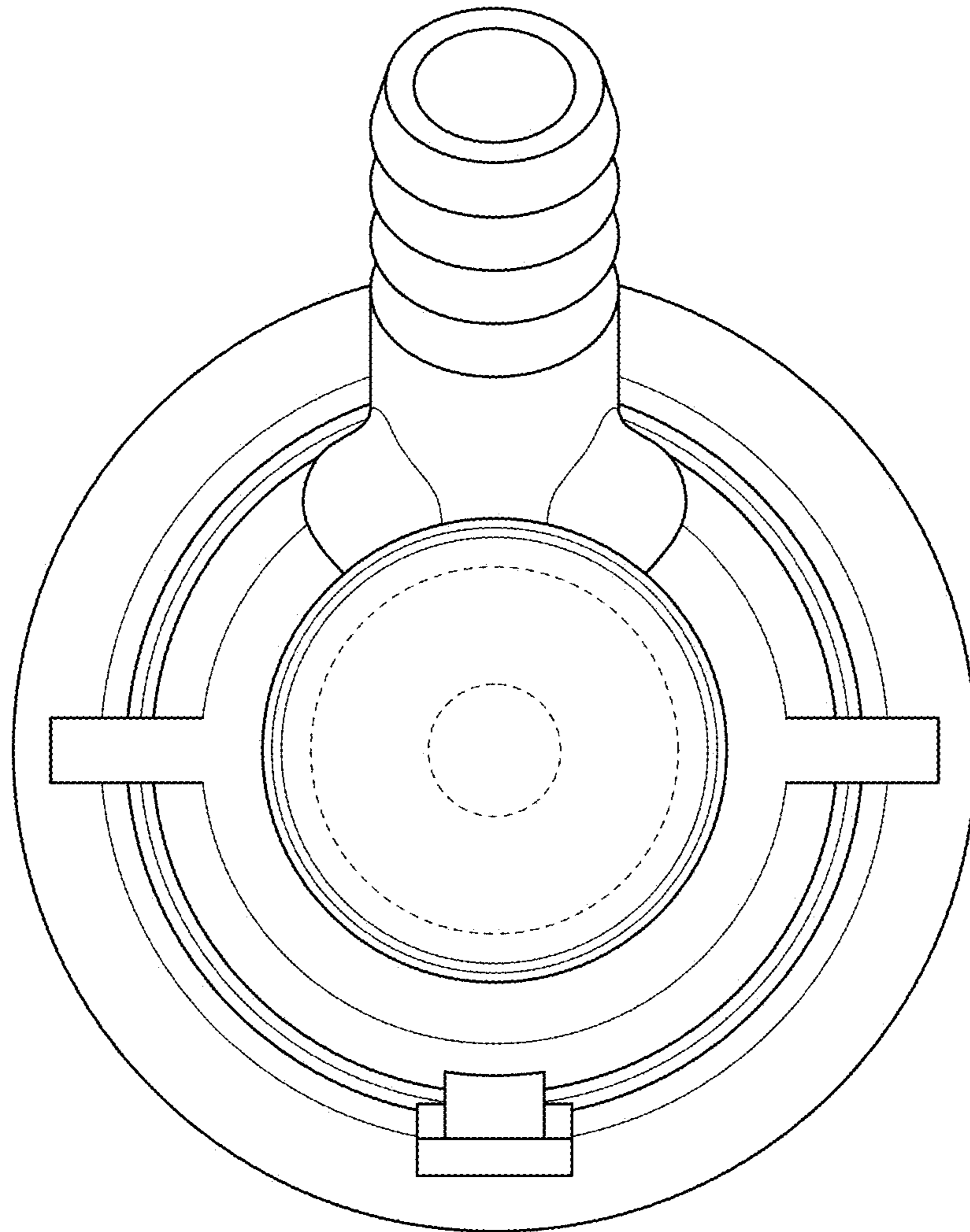


FIG. 7