

US00D762867S

(12) **United States Design Patent**
Walker et al.

(10) **Patent No.:** **US D762,867 S**
(45) **Date of Patent:** **** Aug. 2, 2016**

(54) **WATER JET HOUSING**

(71) Applicant: **Custom Molded Products, Inc.**,
Newnan, GA (US)

(72) Inventors: **Victor L. Walker**, Temecula, CA (US);
Zachary T. Vogtner, Atlanta, GA (US)

(73) Assignee: **Custom Molded Products, Inc.**,
Newnan, GA (US)

(**) Term: **14 Years**

(21) Appl. No.: **29/508,146**

(22) Filed: **Nov. 4, 2014**

(51) **LOC (10) Cl.** **23-02**

(52) **U.S. Cl.**
USPC **D24/201**

(58) **Field of Classification Search**
USPC D23/213, 278, 360, 362; D24/201, 203,
D24/204; 4/424, 526, 532, 541.1–541.6,
4/547, 578, 579; 601/154–158
CPC A61H 2033/061; A61H 33/00; A61H
33/0087; A61H 33/02; A61H 33/066; A61H
33/067; A61H 33/60; A61H 33/6063; B05B
1/18; B05B 1/185; E03C 1/0408
See application file for complete search history.

(56) **References Cited**

U.S. PATENT DOCUMENTS

2,323,464 A * 7/1943 Glessner 239/441
6,510,277 B1 * 1/2003 Dongo 385/147

D555,761 S * 11/2007 Dingler et al. D23/213
D610,226 S * 2/2010 Yabe et al. D23/213
2005/0039251 A1 * 2/2005 Colin 4/541.6
2007/0226893 A1 * 10/2007 Edris 4/541.6
2010/0006158 A1 * 1/2010 Castellote et al. 137/13
2012/0174312 A1 * 7/2012 Loyd et al. 4/541.6
2012/0192348 A1 * 8/2012 Campbell 4/541.6
2012/0311777 A1 * 12/2012 Le et al. 4/541.6
2013/0048756 A1 * 2/2013 Drury et al. 239/428.5

* cited by examiner

Primary Examiner — Ian Simmons

Assistant Examiner — Lisa A Grabenstetter

(74) *Attorney, Agent, or Firm* — Laurence P. Colton; Smith
Tempel Blaha LLC

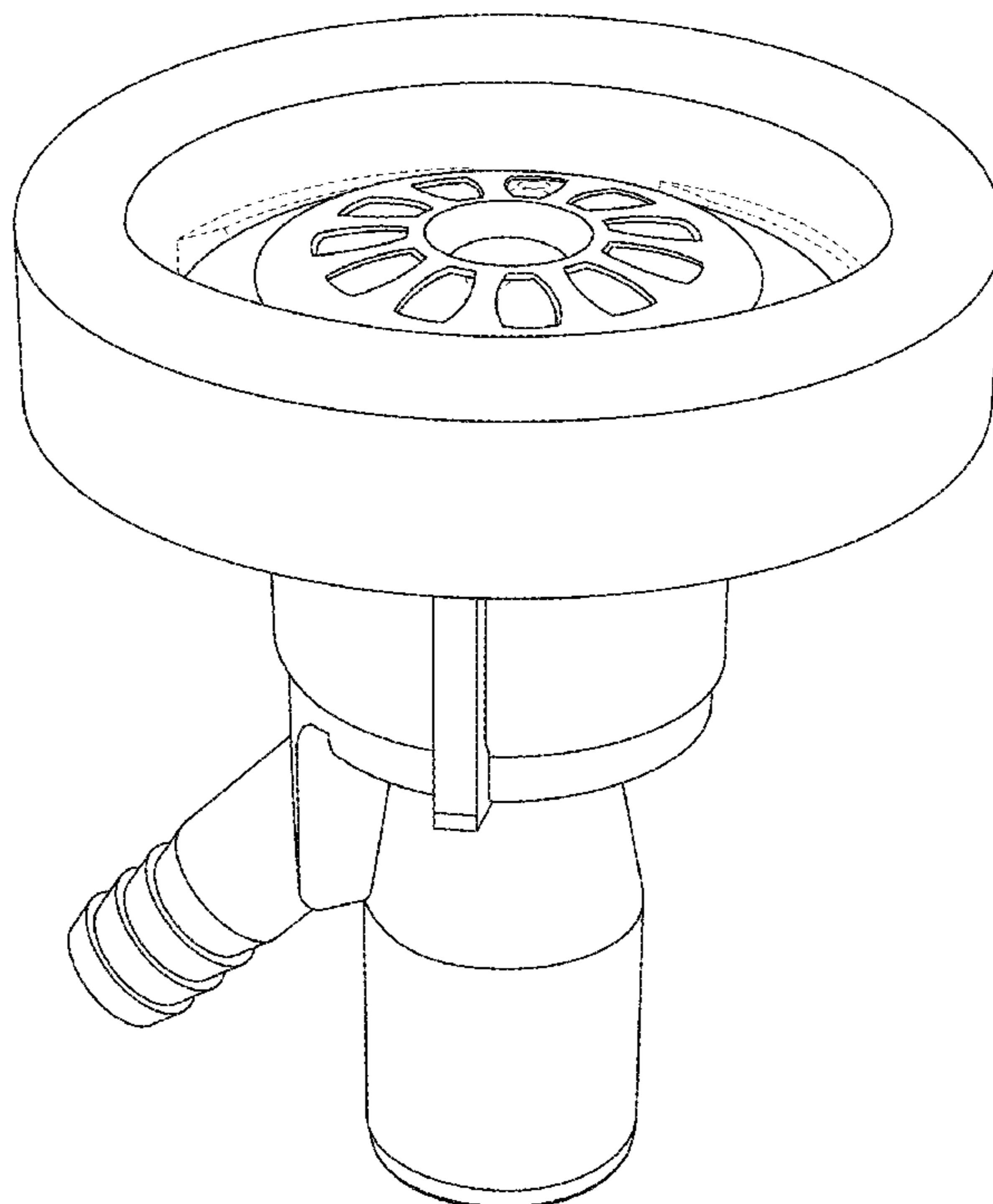
(57) **CLAIM**

The ornamental design for a water jet housing, as shown and
described.

DESCRIPTION

FIG. 1 is a perspective view of a water jet assembly showing
our new design;
FIG. 2 is a top view thereof;
FIG. 3 is a front view thereof;
FIG. 4 is a back view thereof;
FIG. 5 is a left side view thereof;
FIG. 6 is a right side view thereof; and,
FIG. 7 is a bottom view thereof.
The broken line portions of FIGS. 1, 2, and 7 are included to
show unclaimed subject matter only and form no part of the
claimed design.

1 Claim, 7 Drawing Sheets



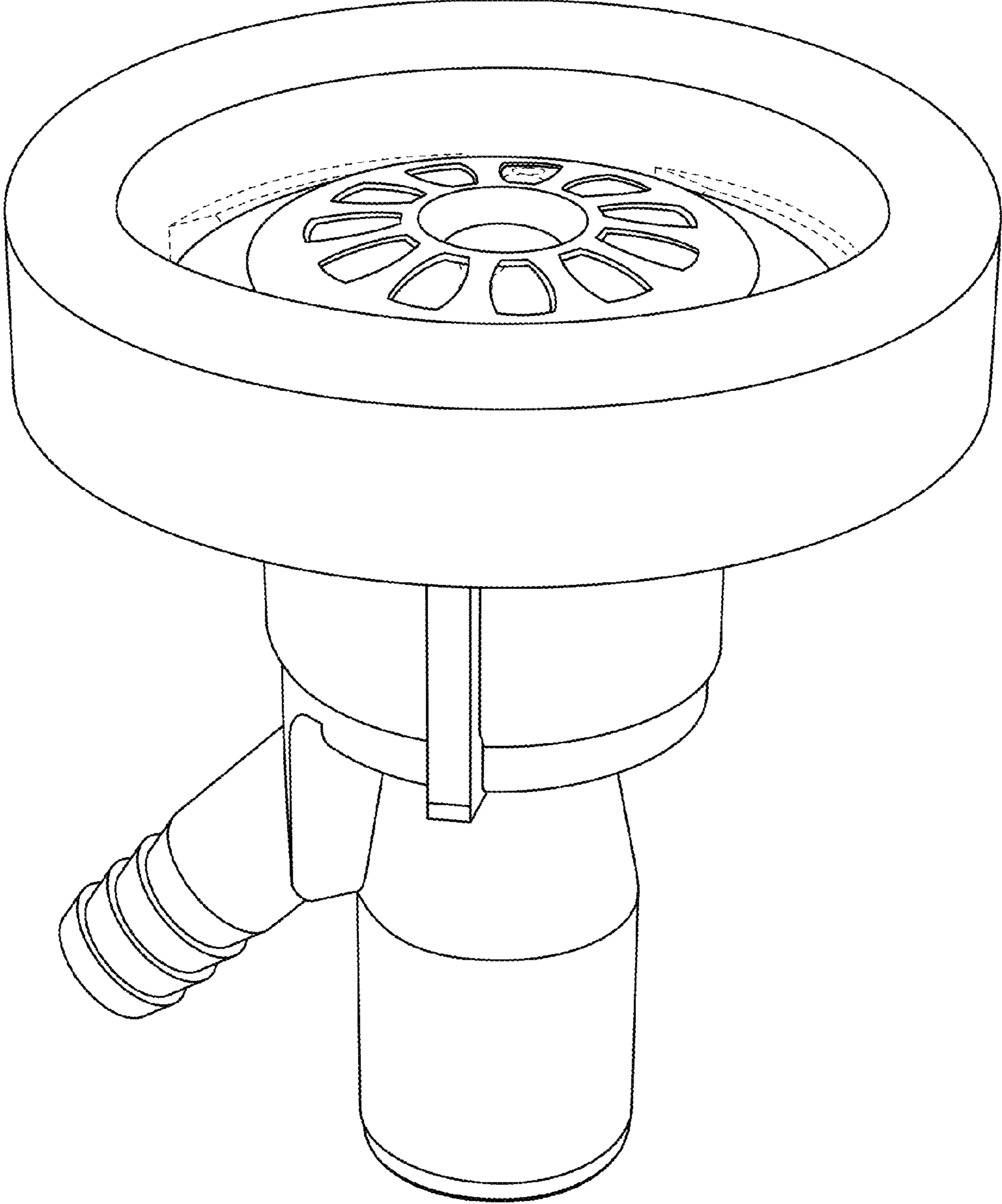


FIG. 1

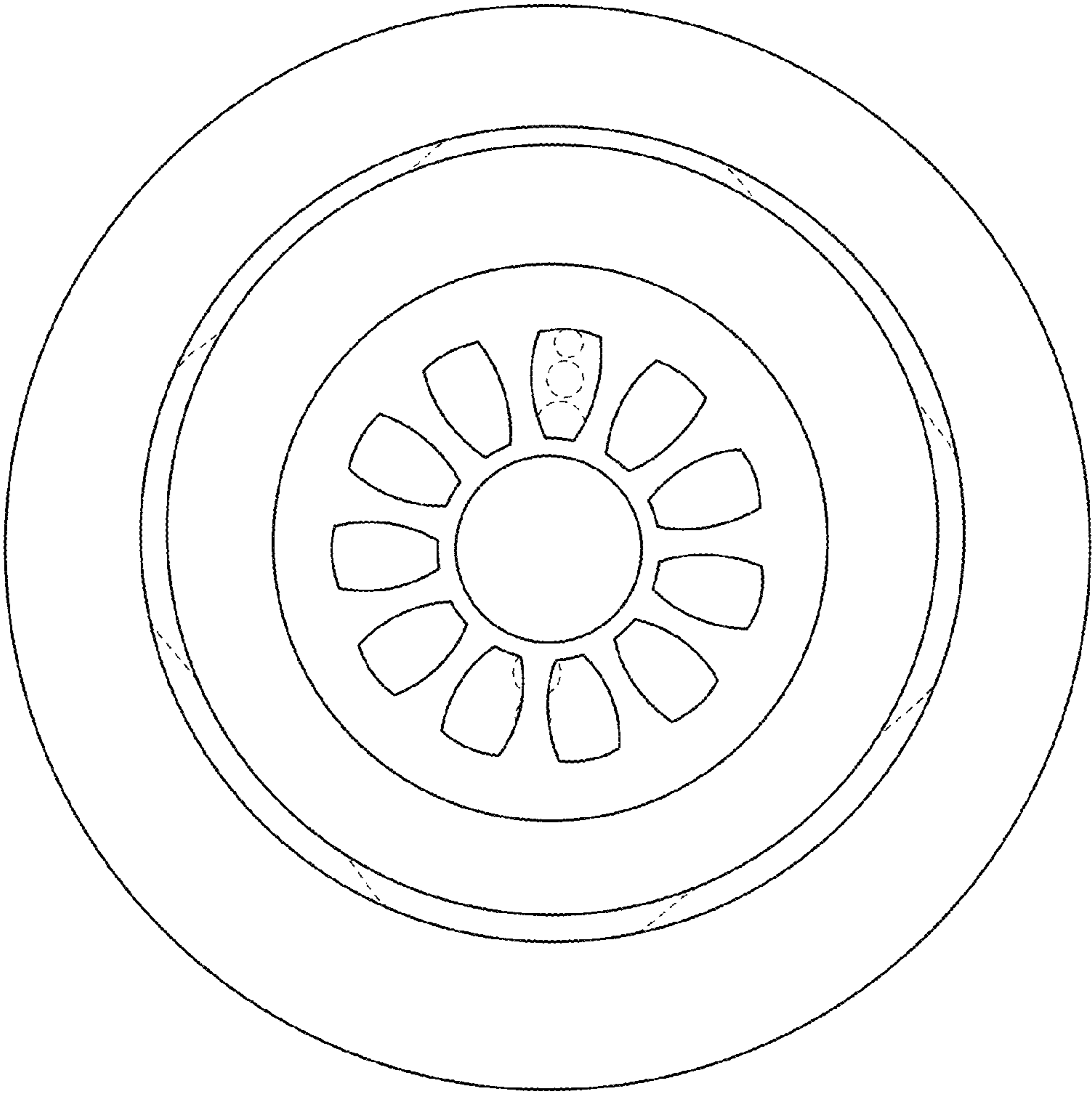


FIG. 2

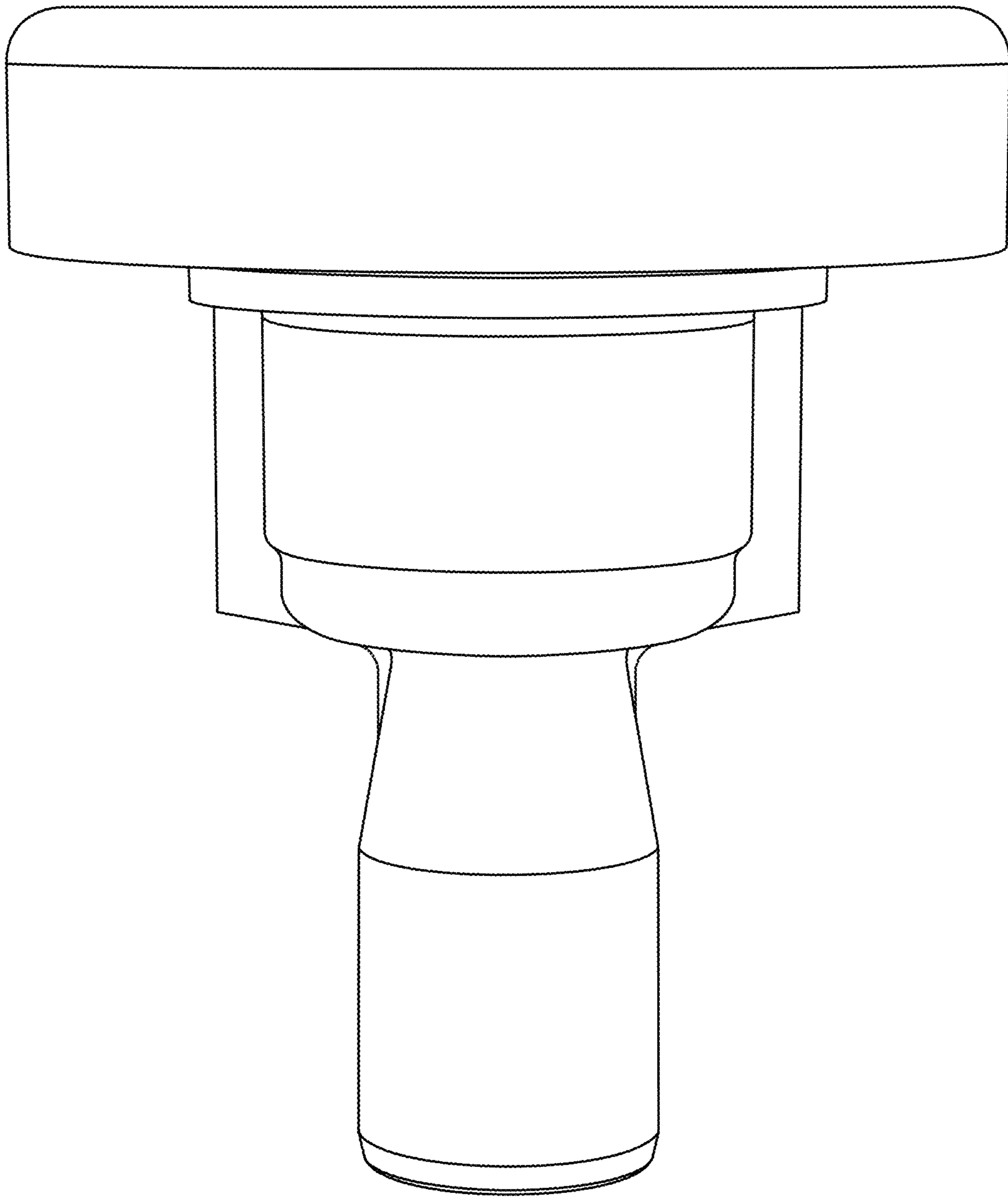


FIG. 3

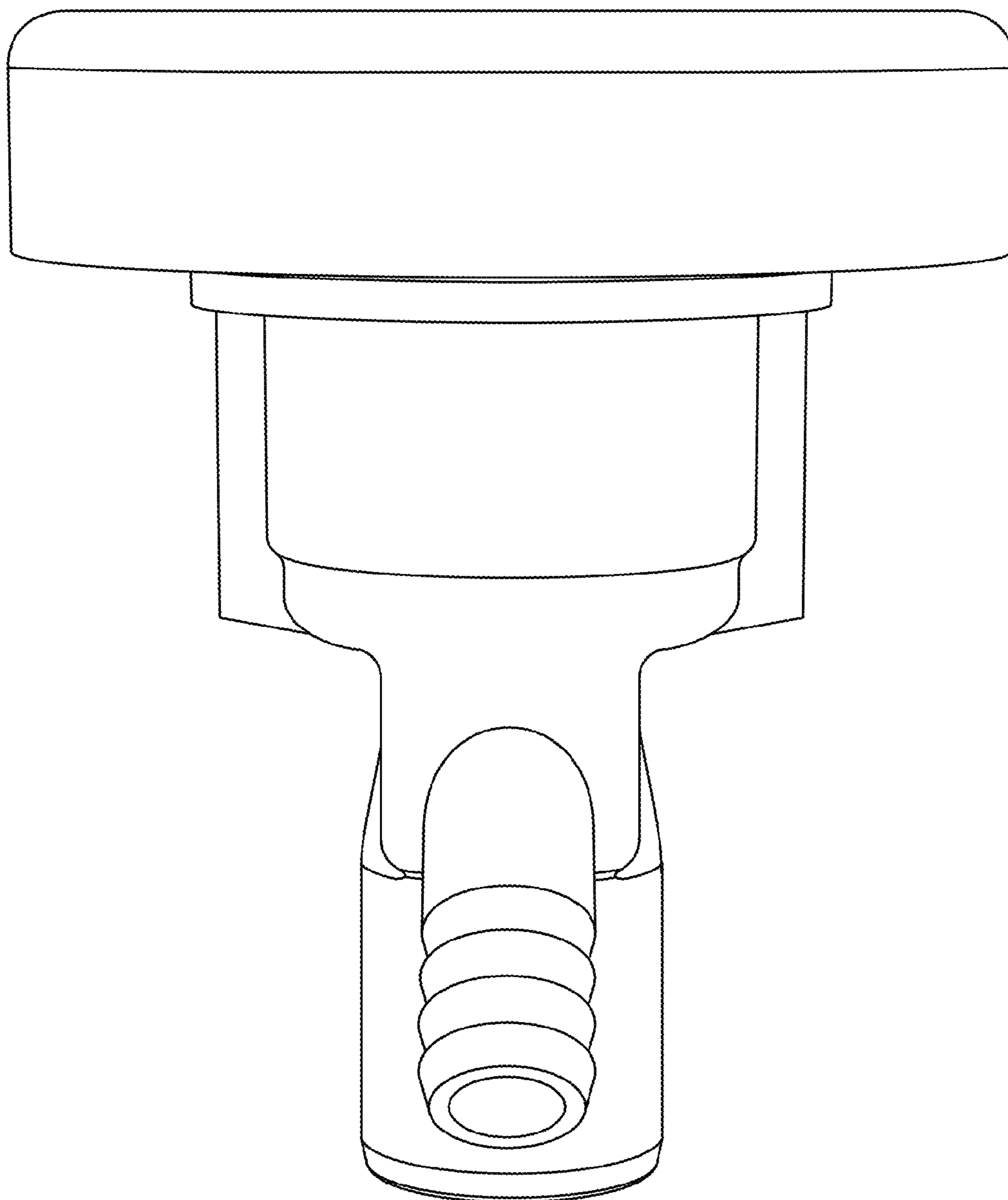


FIG. 4

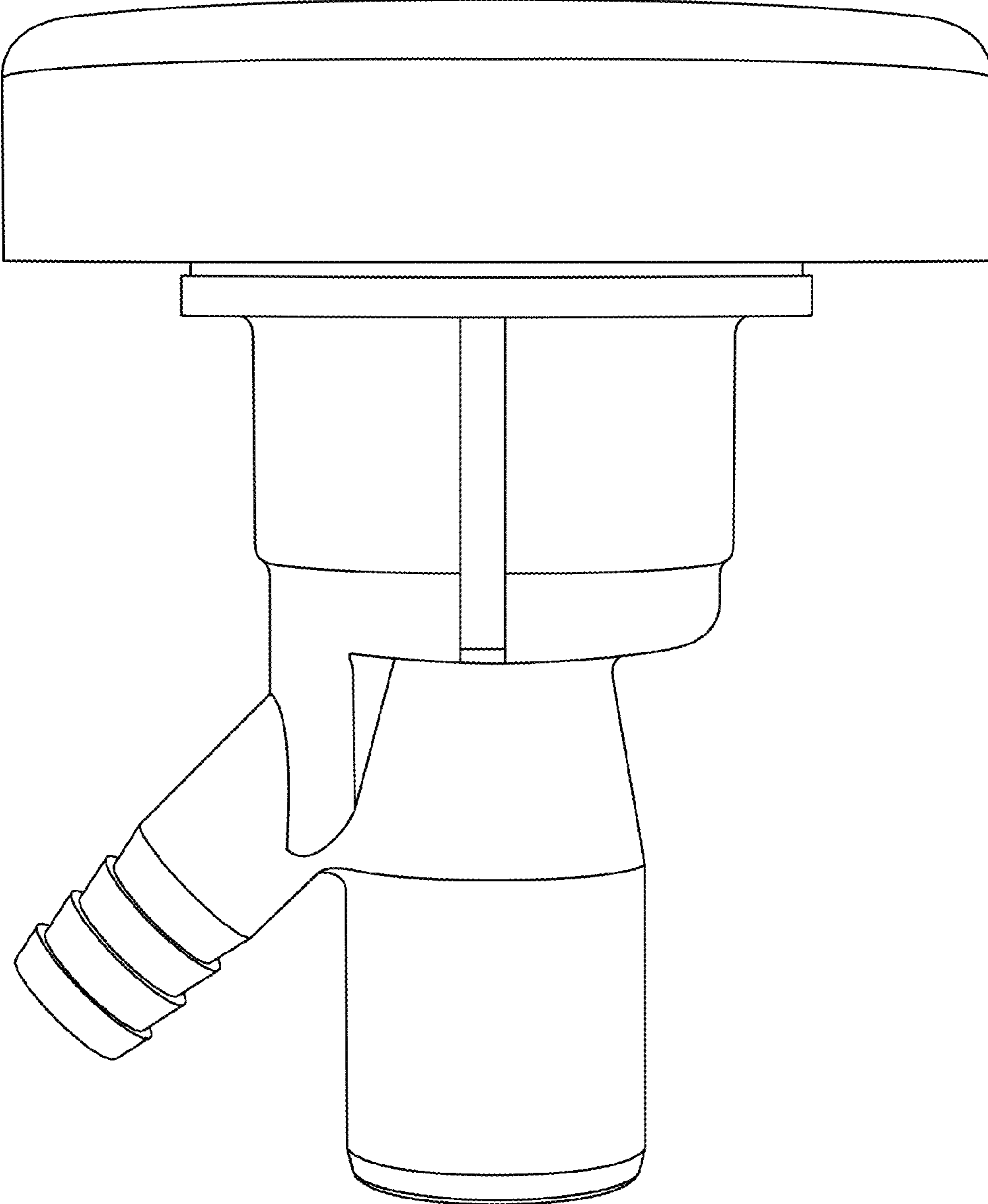


FIG. 5

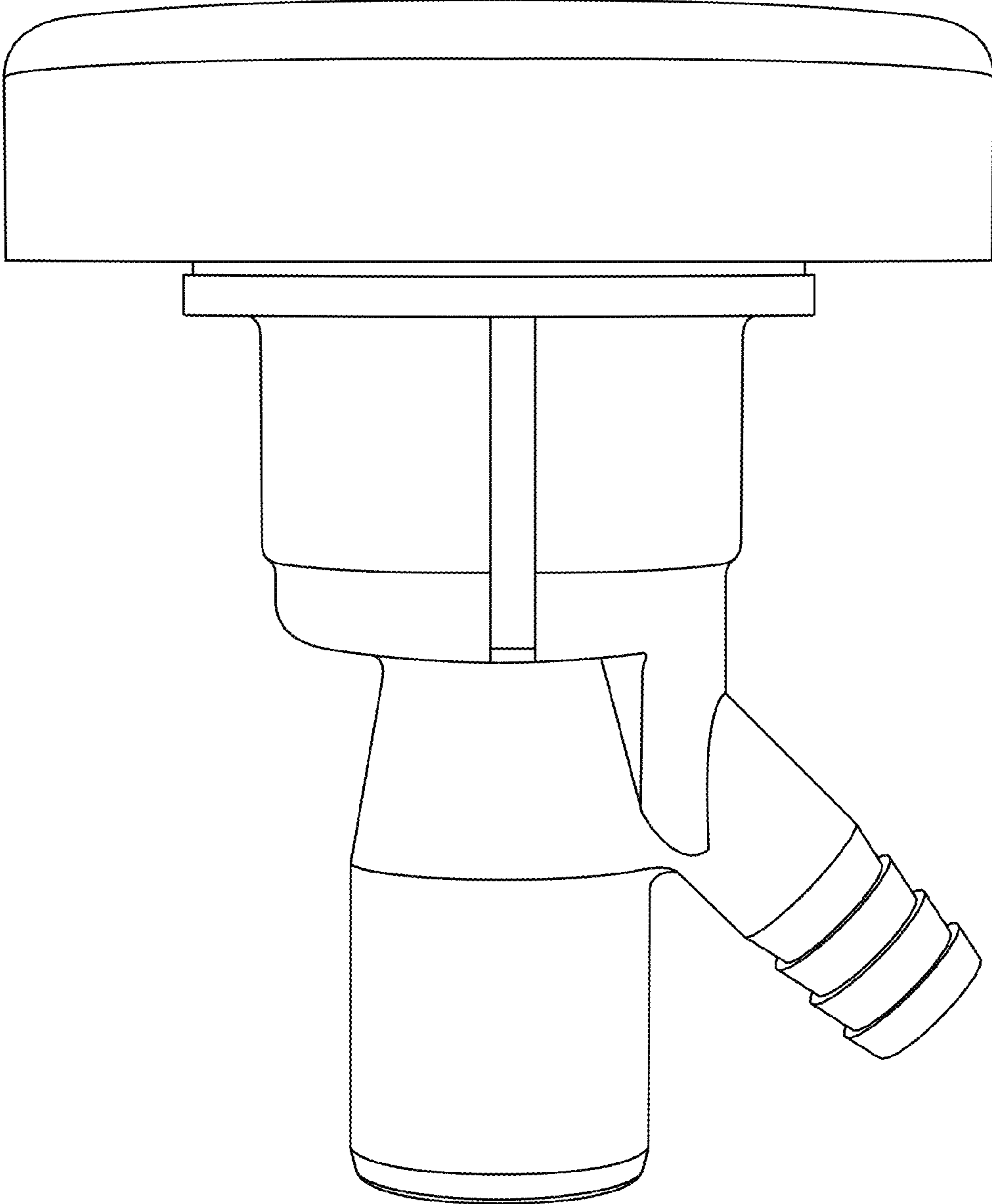


FIG. 6

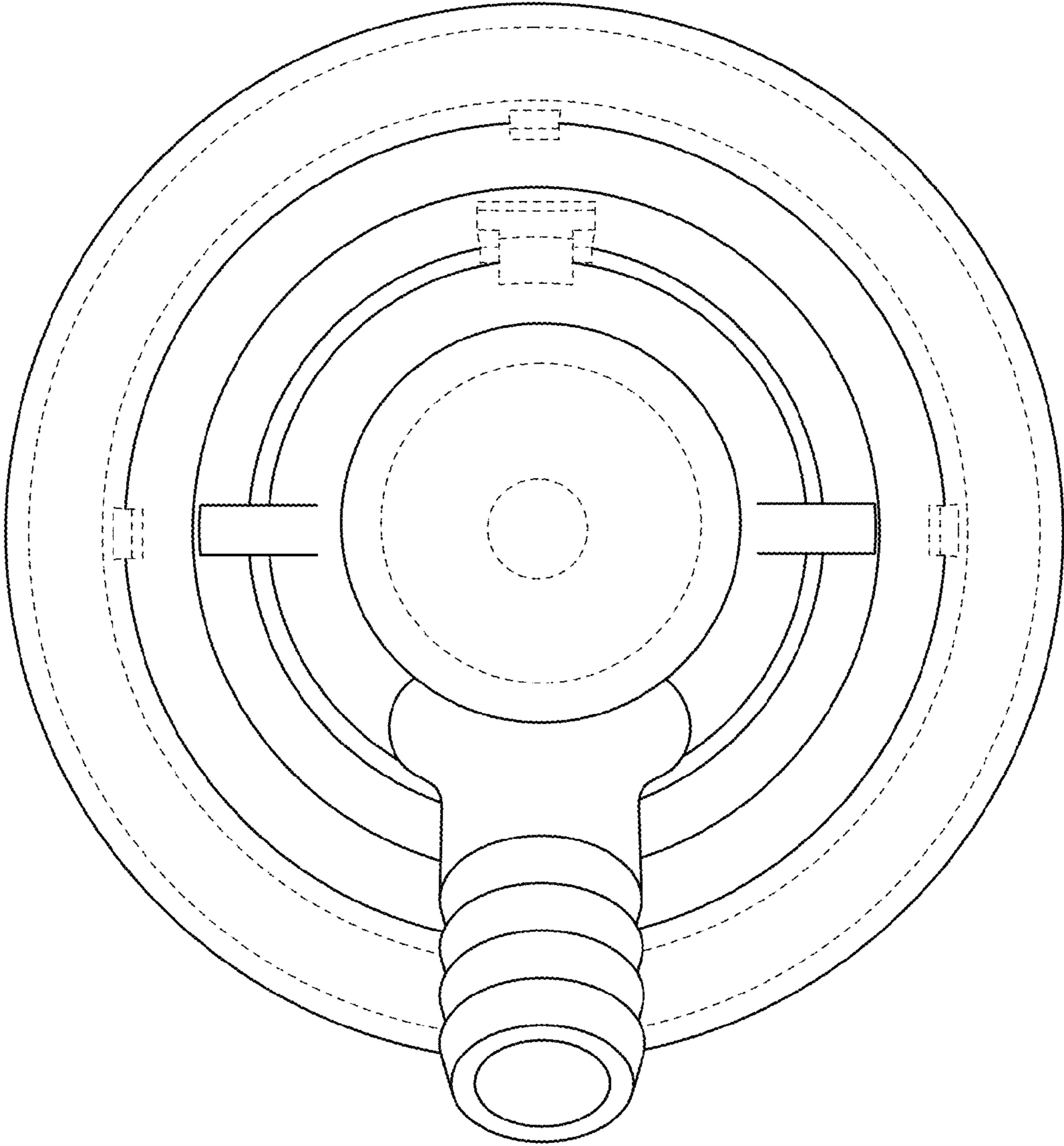


FIG. 7