



US00D762865S

(12) **United States Design Patent**  
**Coates et al.**

(10) **Patent No.:** **US D762,865 S**

(45) **Date of Patent:** **\*\* Aug. 2, 2016**

(54) **ADHESIVE FOOT SUPPORT STRAP**

(71) Applicants: **Christopher A. Coates**, Kent, WA (US);  
**Lori S. Coates**, Kent, WA (US)

(72) Inventors: **Christopher A. Coates**, Kent, WA (US);  
**Lori S. Coates**, Kent, WA (US)

(73) Assignee: **COATES INNOVATIONS, LLC**, Kent,  
WA (US)

(\*\*) Term: **14 Years**

(21) Appl. No.: **29/474,119**

(22) Filed: **Jun. 4, 2014**

(51) **LOC (10) Cl.** ..... **24-01**

(52) **U.S. Cl.**  
USPC ..... **D24/192**

(58) **Field of Classification Search**

USPC ..... D24/188-192; D29/120.1, 121.2  
CPC ..... A61B 5/14532; A61B 5/14865; A61B  
5/14546; A61B 5/6833; A61B 5/6832; A61M  
5/1723; Y10S 602/903; Y10T 24/2758;  
Y10T 24/33; Y10T 24/3687; A61F 15/004

See application file for complete search history.

(56) **References Cited**

U.S. PATENT DOCUMENTS

2,748,766	A *	6/1956	Coates .....	A61F 13/02 602/58
D239,981	S *	5/1976	Arluck et al. ....	D24/190
D366,317	S *	1/1996	Axelgaard .....	D24/168
D403,775	S *	1/1999	Davis .....	D24/190
D571,923	S *	6/2008	Roberts .....	D24/190
D621,518	S *	8/2010	Arbesman .....	D24/189
D625,422	S *	10/2010	Arbesman .....	D24/189
D639,964	S *	6/2011	Kase .....	D24/189
D674,493	S *	1/2013	Nichols .....	D24/189
D740,429	S *	10/2015	Tagami .....	D24/189
2014/0052040	A1 *	2/2014	Coates .....	A61F 13/067 602/28

\* cited by examiner

*Primary Examiner* — George D Kirschbaum

*Assistant Examiner* — Jennifer Watkins

(74) *Attorney, Agent, or Firm* — R. Reams Goodloe, Jr.

(57) **CLAIM**

The ornamental design for an adhesive foot support strap, as shown and described.

**DESCRIPTION**

FIG. 1 is an obverse view, showing the design for an adhesive bandage, with an adhesive release portion partially removed; and, FIG. 2 is a reverse view, showing the design for an adhesive bandage, with an adhesive release portion partially removed.

**1 Claim, 1 Drawing Sheet**

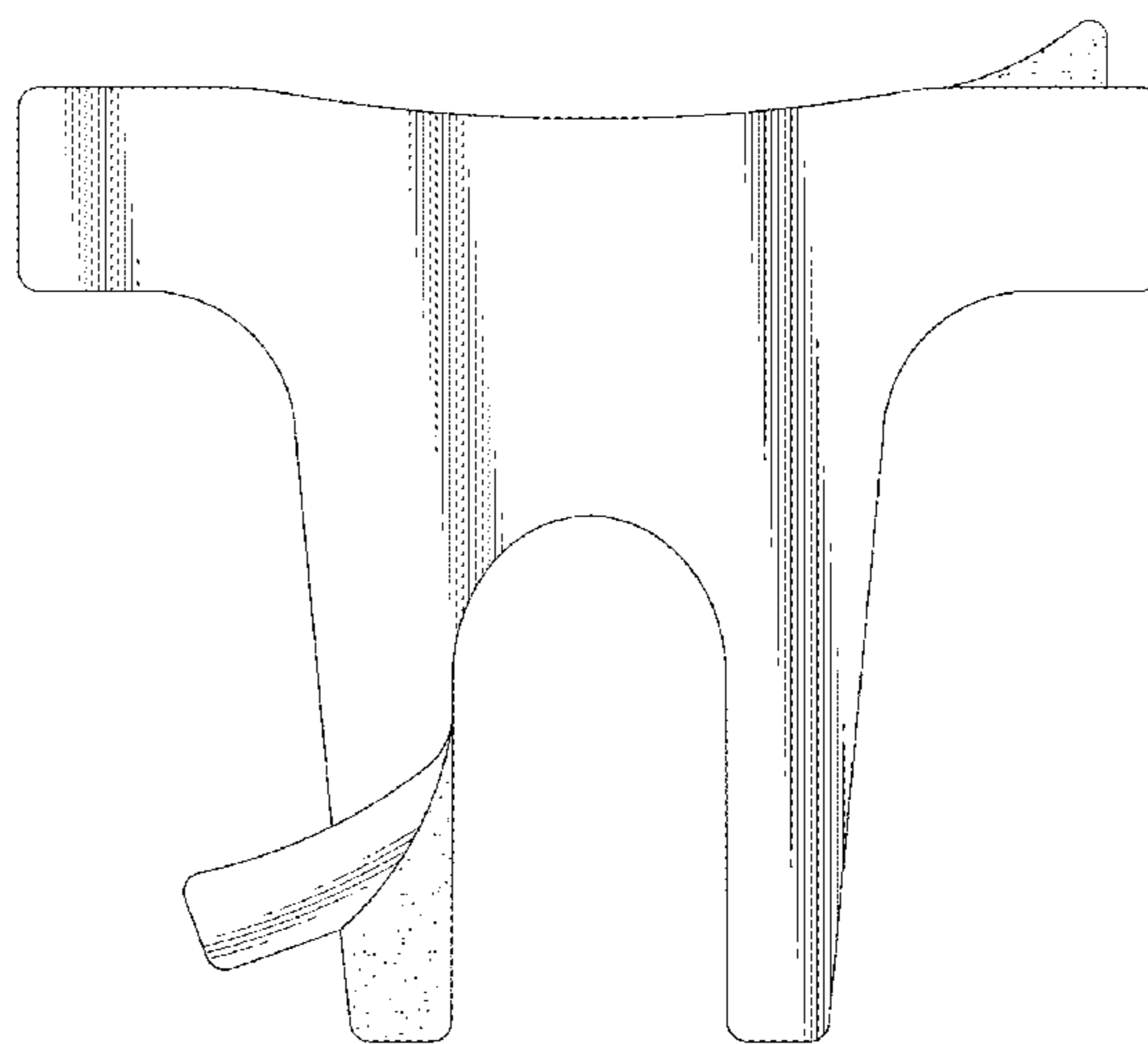
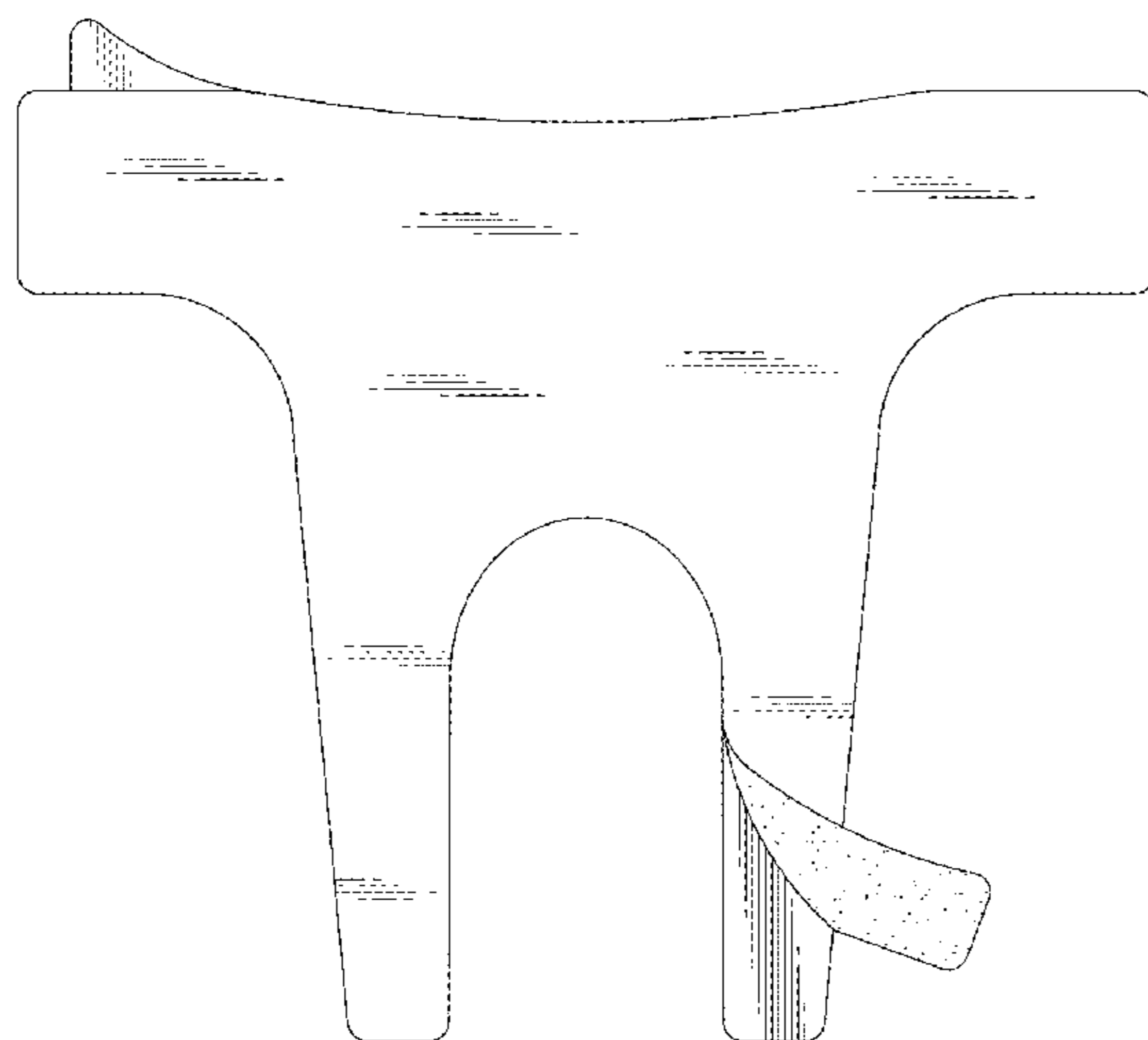


FIG. 1

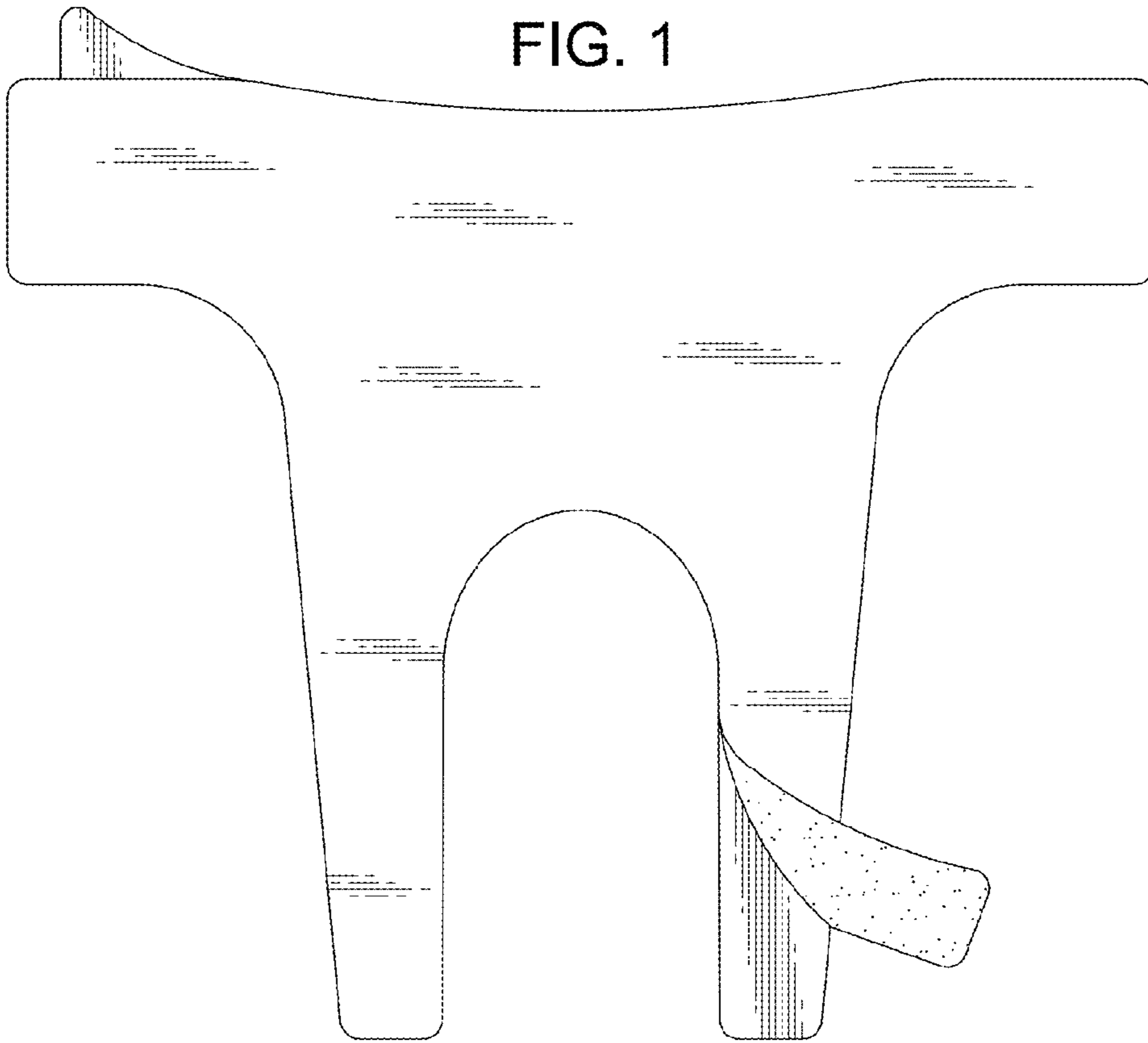


FIG. 2

