

US00D762862S

(12) **United States Design Patent**  
**Kim et al.**

(10) **Patent No.:** **US D762,862 S**

(45) **Date of Patent:** **\*\* Aug. 2, 2016**

(54) **TELEHEALTH MONITORING DEVICE**

(56) **References Cited**

(71) Applicant: **INSUNG INFORMATION CO., LTD.**,  
Seoul (KR)

U.S. PATENT DOCUMENTS

(72) Inventors: **Hong Jin Kim**, Seoul (KR); **Bong Jo Kwak**, Seoul (KR); **Jeong Hwan Park**, Seoul (KR); **Soo Kyoung Lee**, Hanam-si (KR)

D627,883 S \* 11/2010 Hayashi ..... D24/138  
D638,543 S \* 5/2011 Geisser ..... D24/138  
D721,180 S \* 1/2015 Rollins ..... D24/186

\* cited by examiner

(73) Assignee: **INSUNG INFORMATION CO., LTD.**,  
Seoul (KR)

*Primary Examiner* — Zenia Bennett  
(74) *Attorney, Agent, or Firm* — Revolution IP, PLLC

(\*\*) Term: **14 Years**

(57) **CLAIM**  
The ornamental design for a “telehealth monitoring device”, as shown and described.

(21) Appl. No.: **29/476,186**

**DESCRIPTION**

(22) Filed: **Dec. 12, 2013**

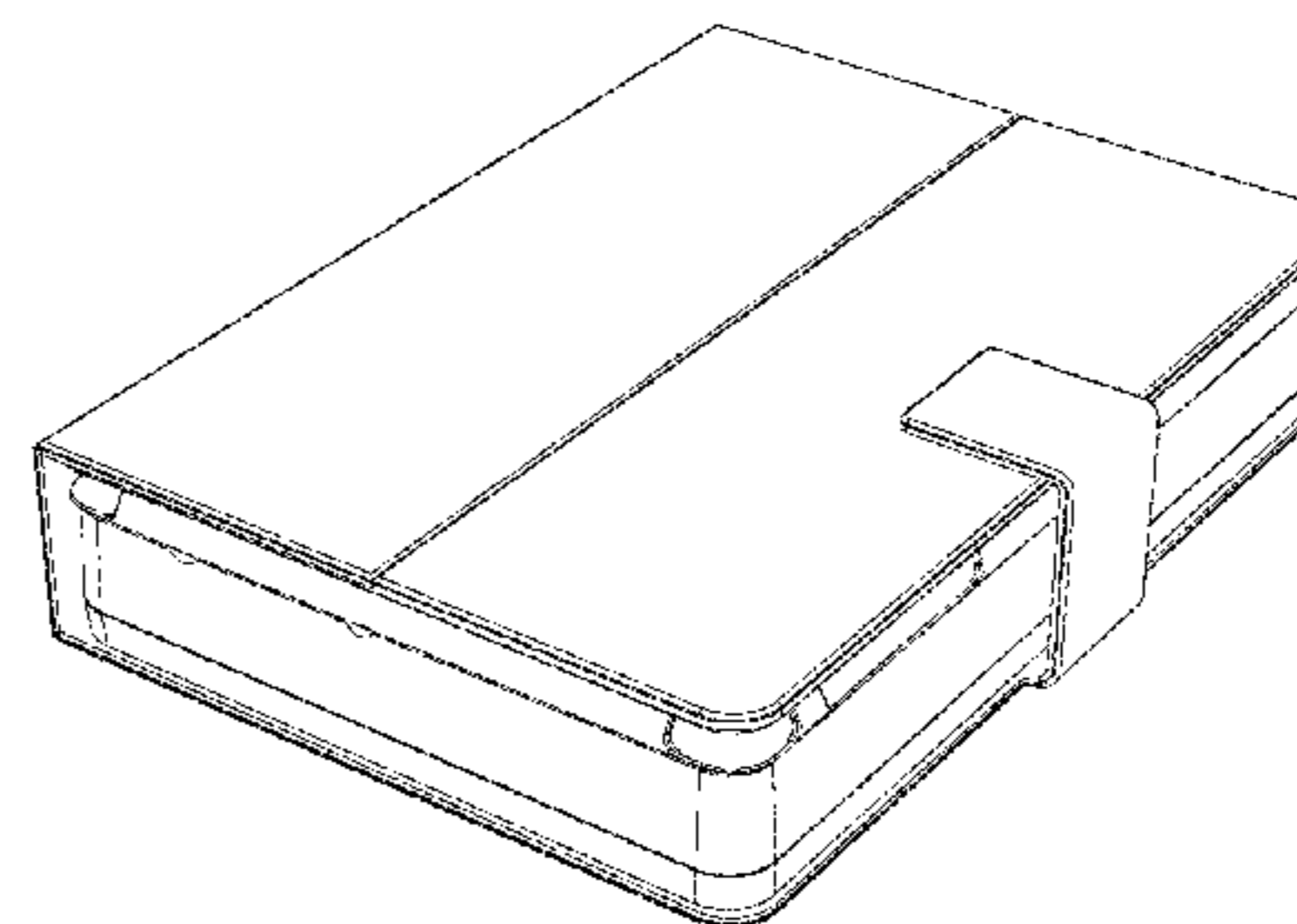
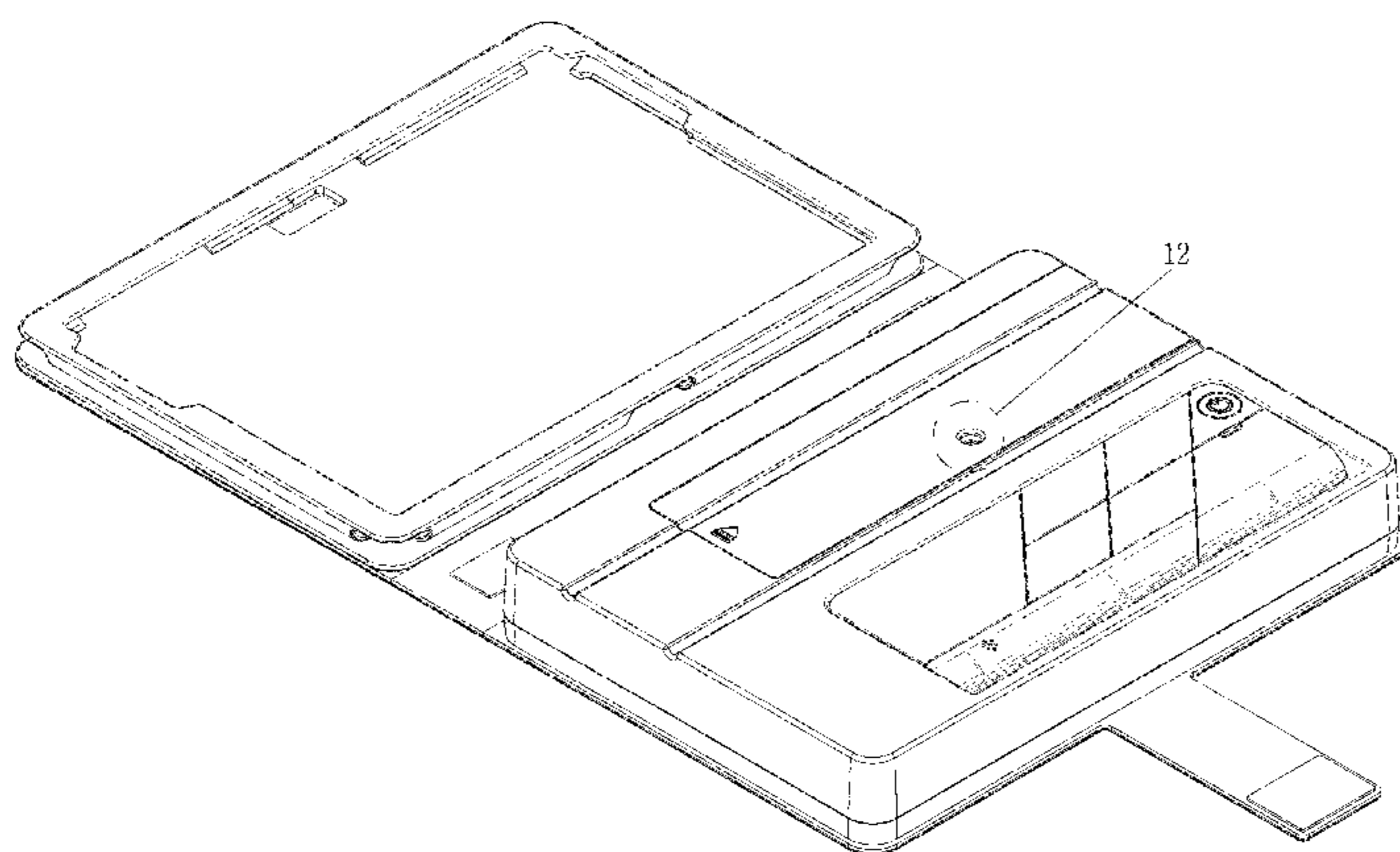
FIG. 1 is a perspective view of telehealth monitoring device showing my new design;  
FIG. 2 is a front elevational view thereof;  
FIG. 3 is a rear elevational view thereof;  
FIG. 4 is a left side elevational view thereof;  
FIG. 5 is a right side elevational view thereof;  
FIG. 6 is an enlarged top view thereof;  
FIG. 7 is an enlarged bottom view thereof;  
FIG. 8 is a front perspective view thereof, shown in folded condition;  
FIG. 9 is another front perspective view thereof, shown in folded condition;  
FIG. 10 is a rear perspective view thereof, shown in folded condition;  
FIG. 11 is another rear perspective view thereof, shown in folded condition;  
FIG. 12 is an enlarged view along line 12 as shown in FIG. 1; and,  
FIG. 13 is an enlarged view along line 13 as shown in FIG. 2.

(51) **LOC (10) Cl.** ..... **24-01**

(52) **U.S. Cl.**  
USPC ..... **D24/186**

(58) **Field of Classification Search**  
USPC ..... D24/167, 186; D11/3; D10/30–39, 65, D10/70, 78, 97, 98, 103; D13/173–177; D14/203.5, 247, 338–340, 344, 346, D14/347  
CPC ..... G08G 1/096883; G08G 1/096872; G08G 1/096775; G01C 21/16; G01C 21/3688; G01C 21/30; G01V 8/20; G01J 5/023; G01J 5/24; A61B 5/4824; A61B 5/483  
See application file for complete search history.

**1 Claim, 8 Drawing Sheets**



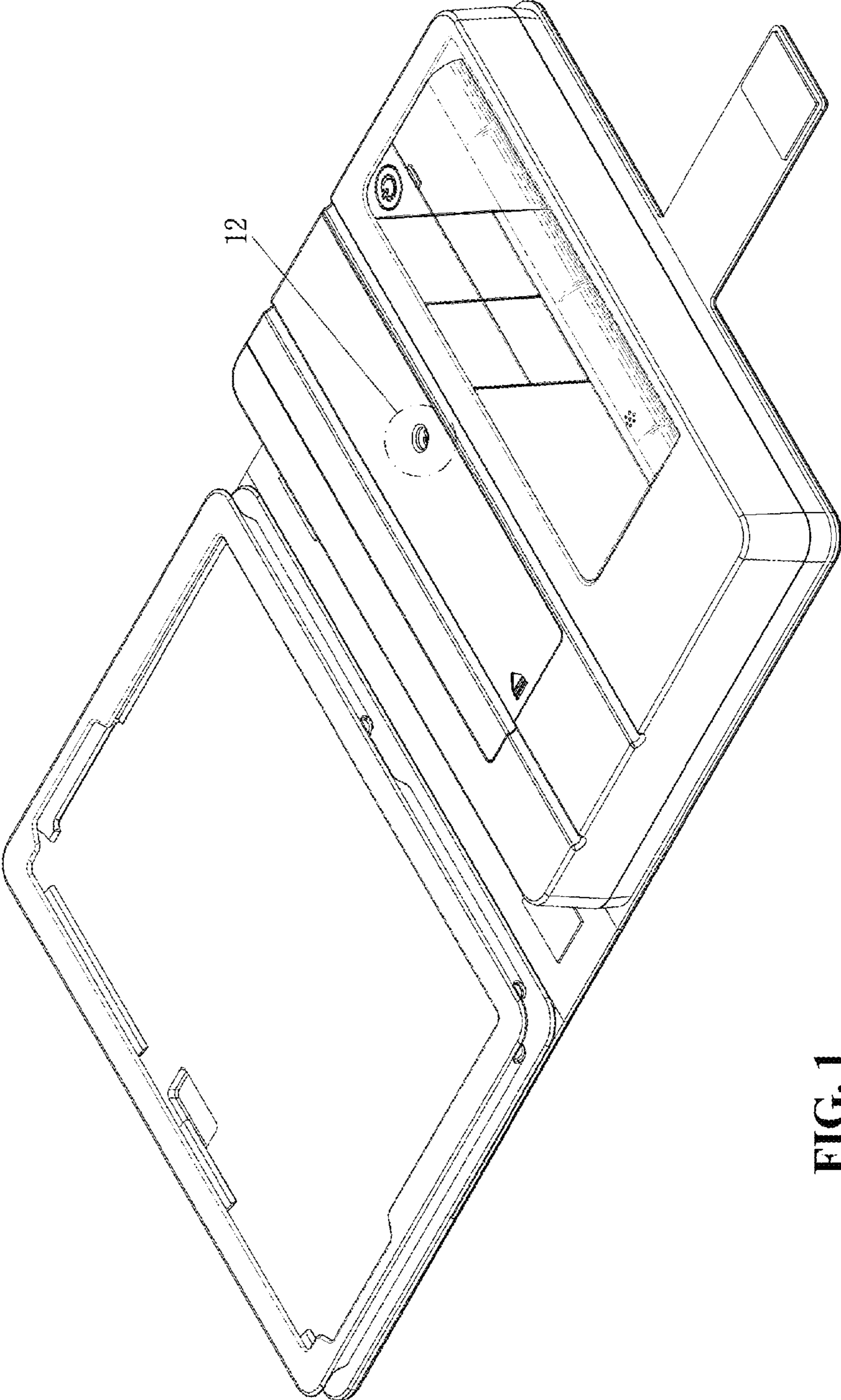


FIG. 1

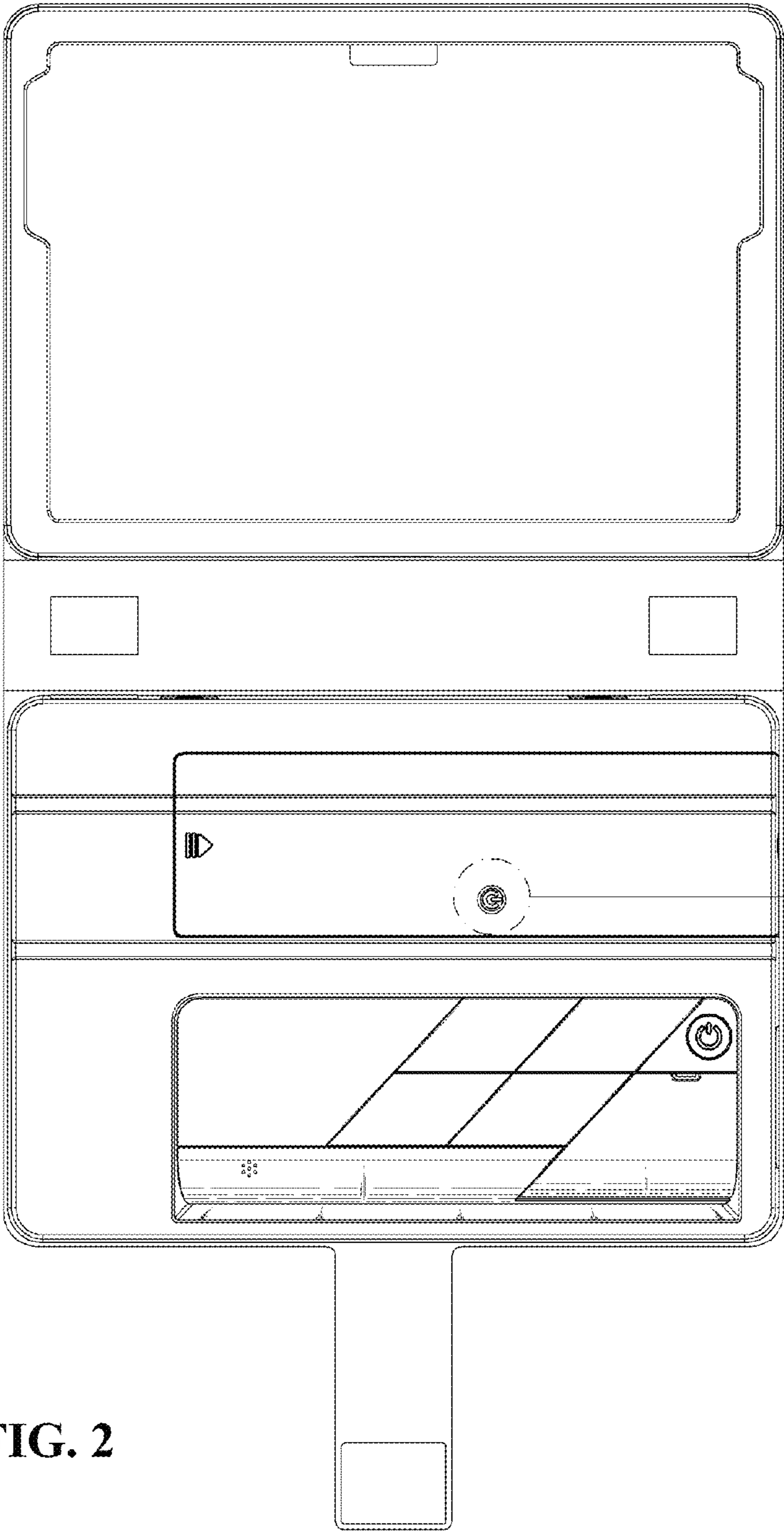
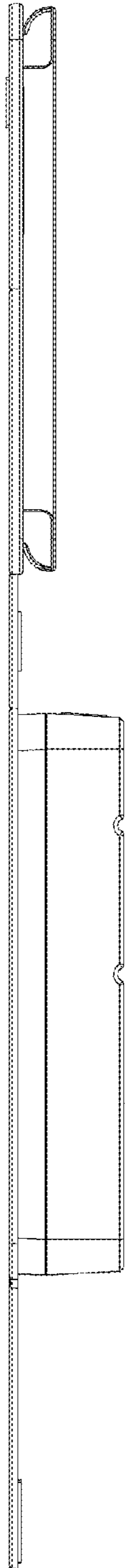


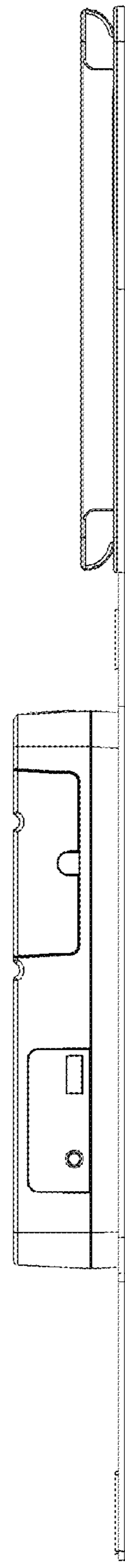
FIG. 2



**FIG. 3**



**FIG. 4**



**FIG. 5**

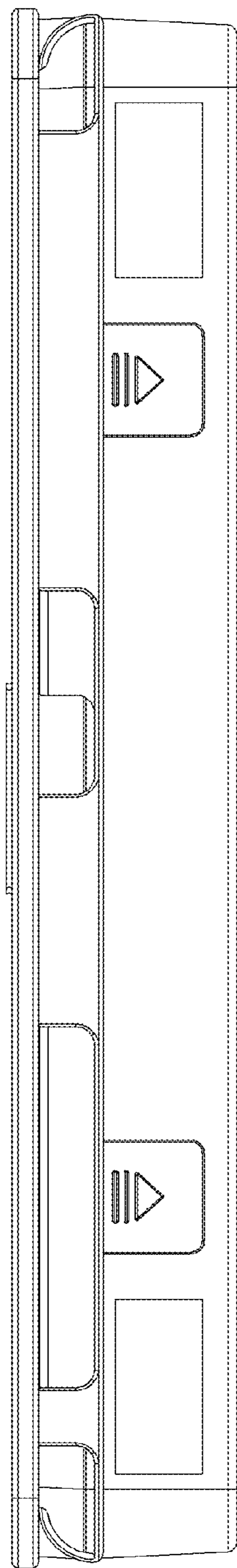


FIG. 6

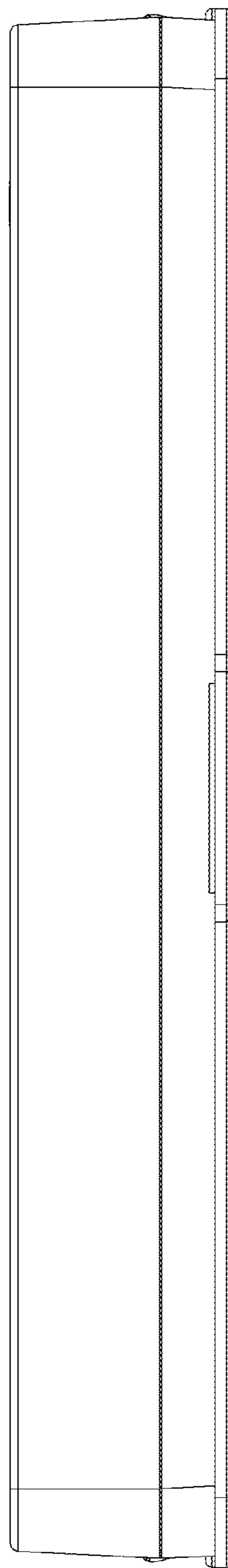
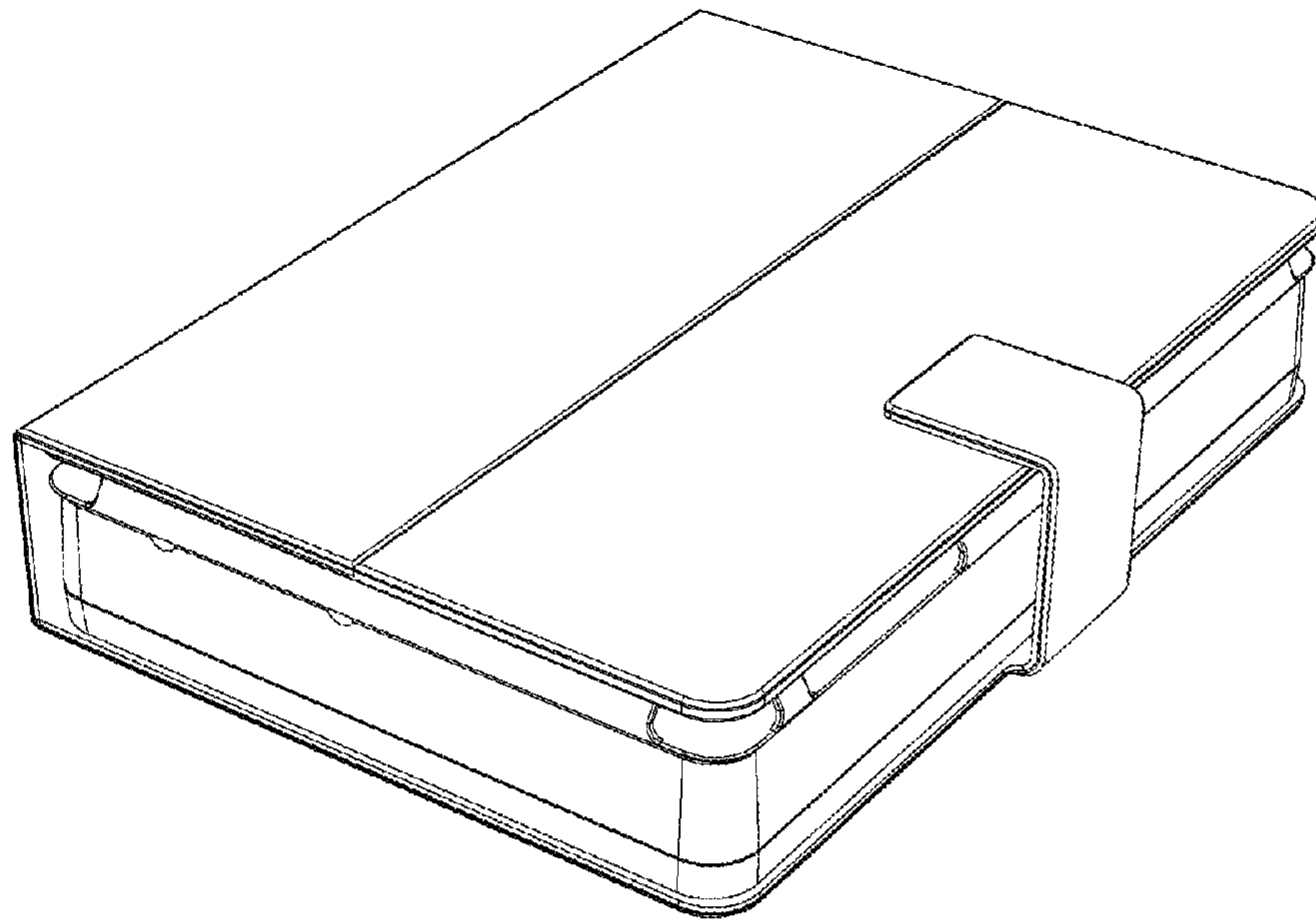
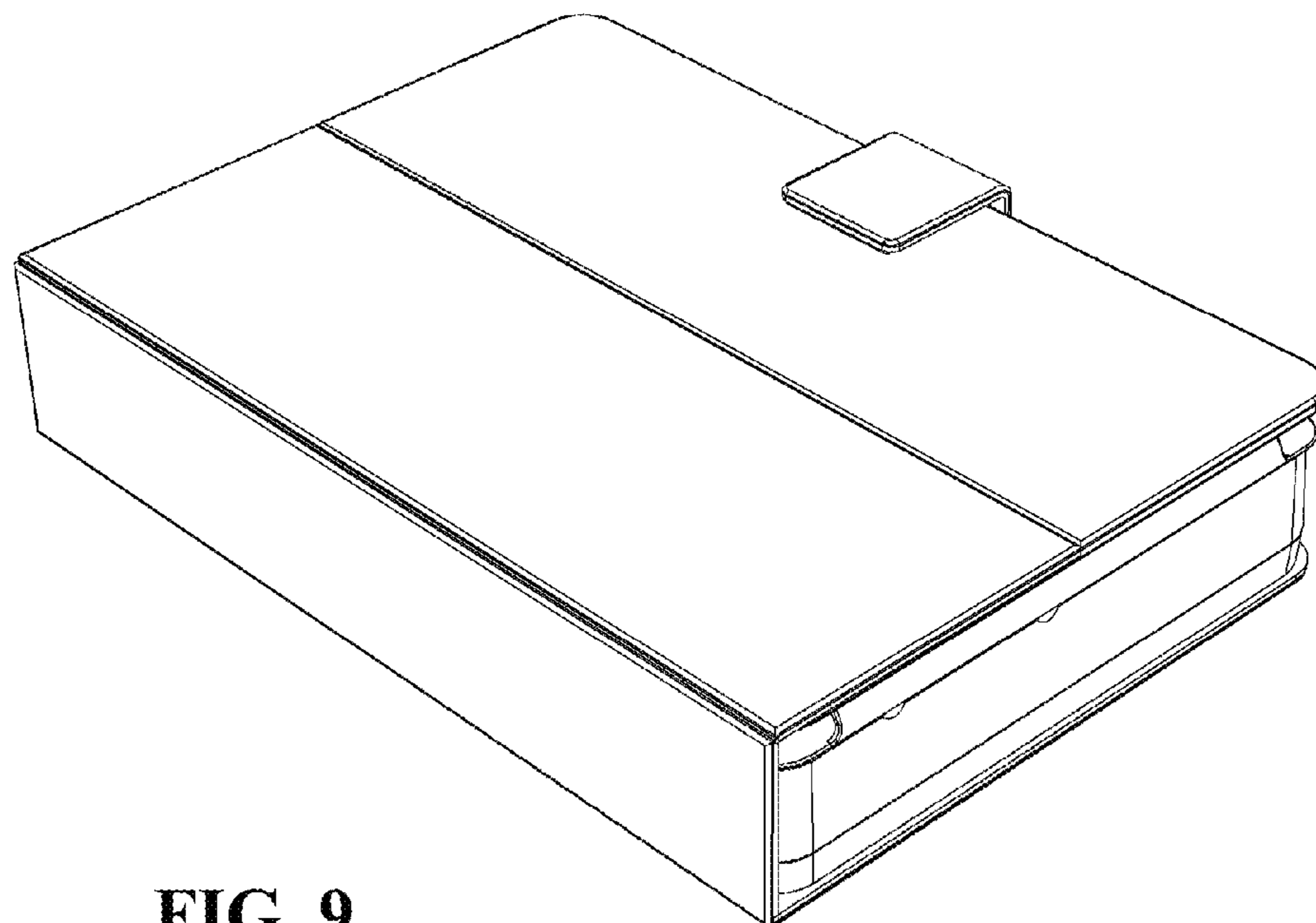


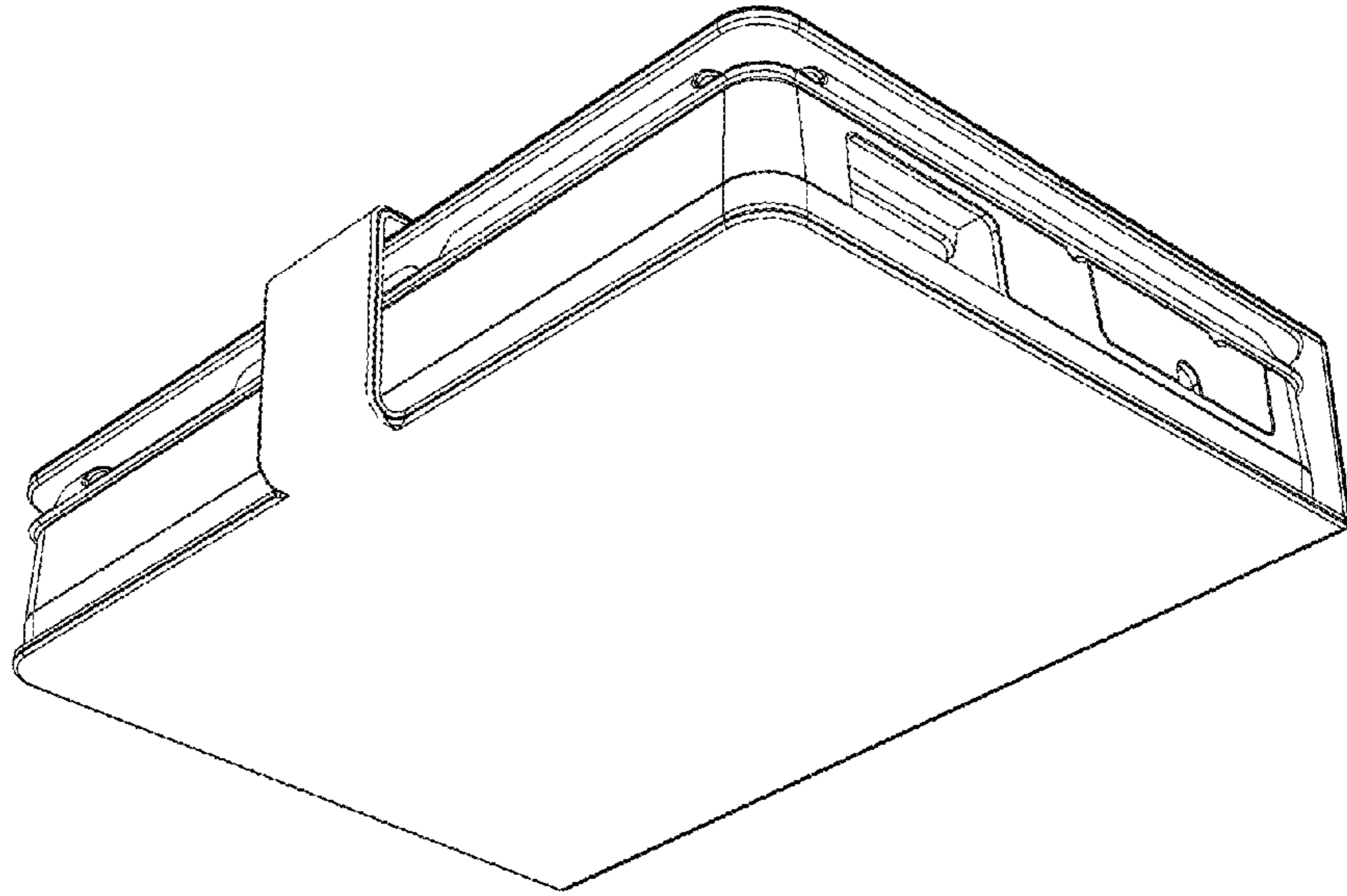
FIG. 7



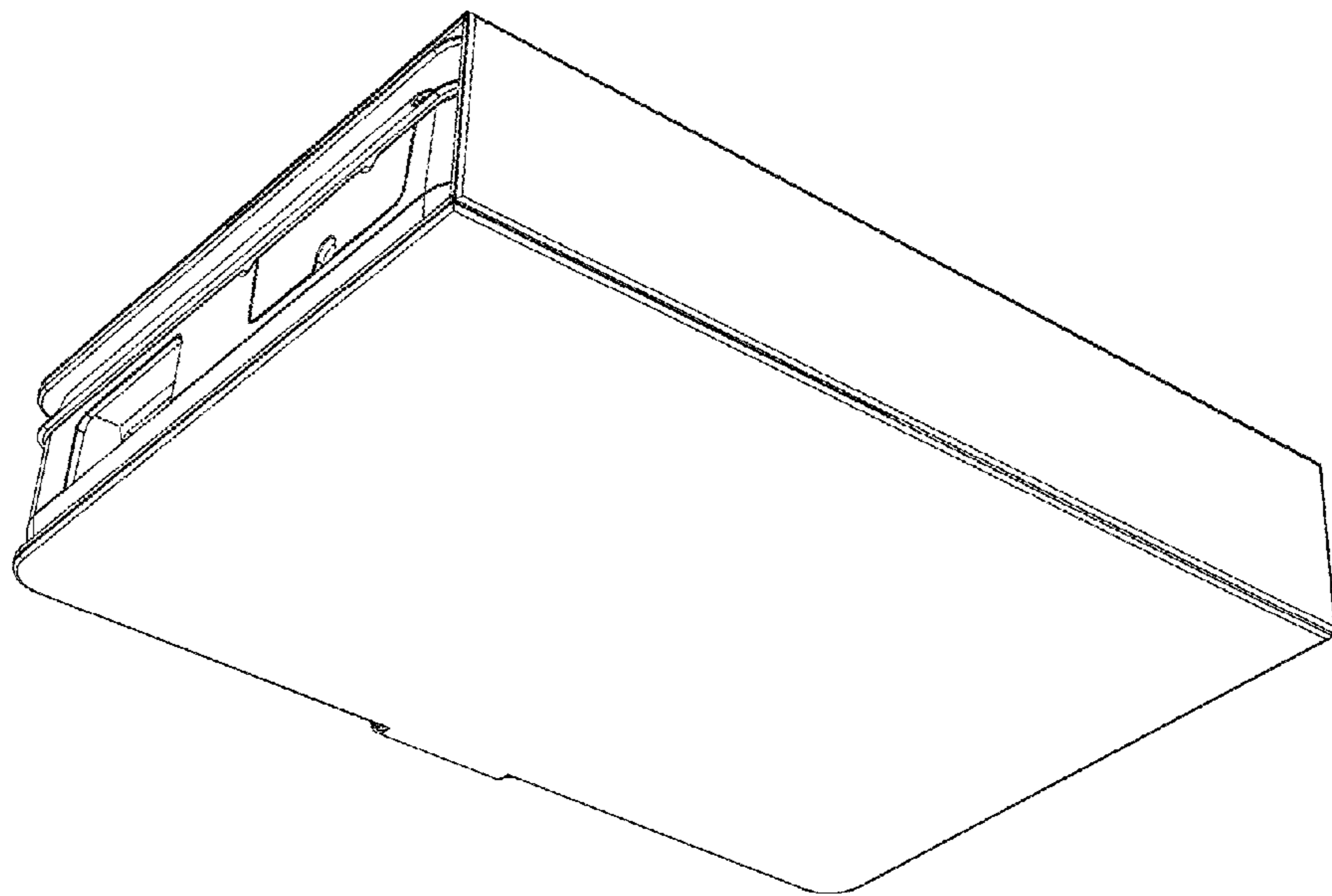
**FIG. 8**



**FIG. 9**

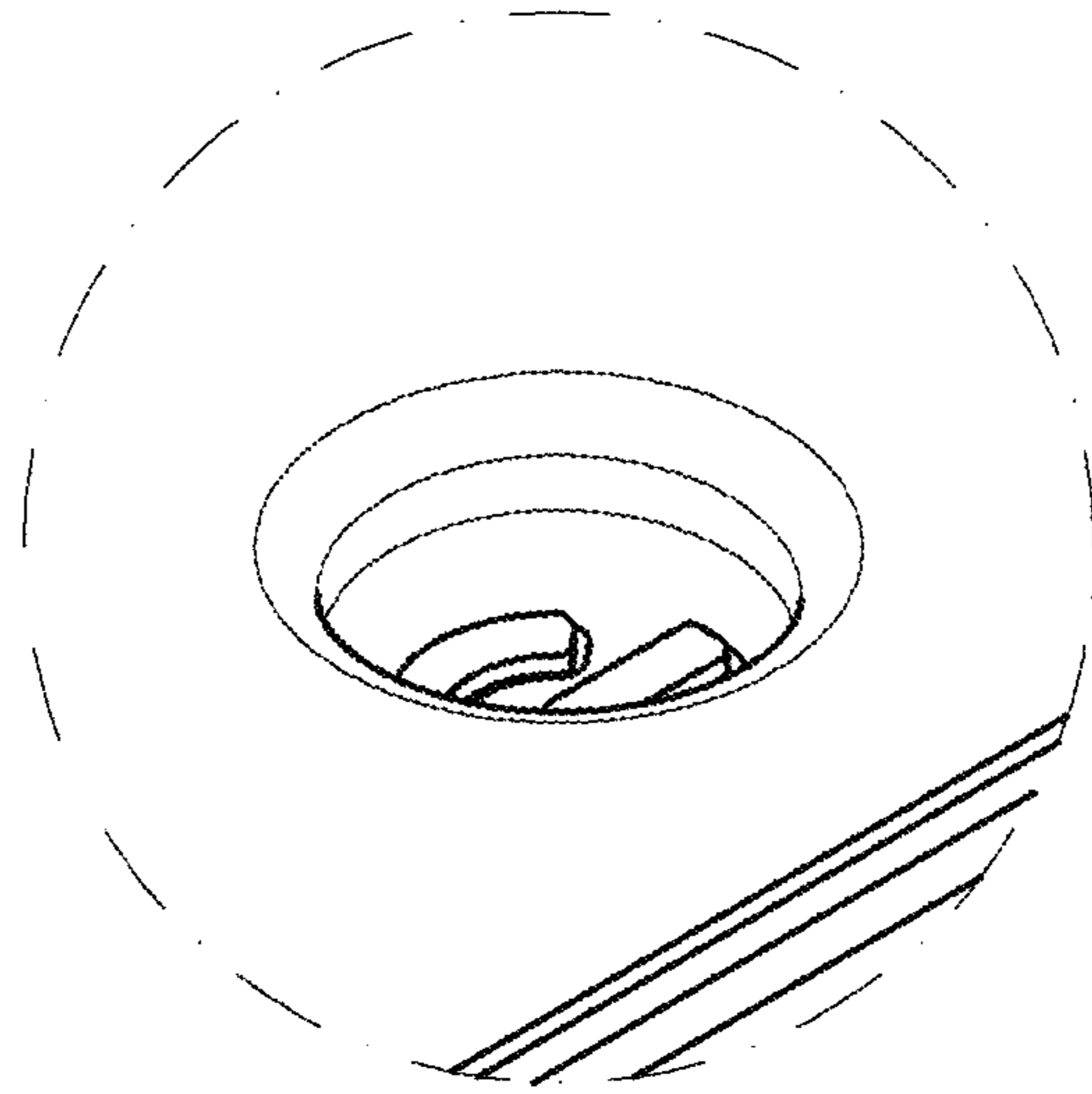


**FIG. 10**

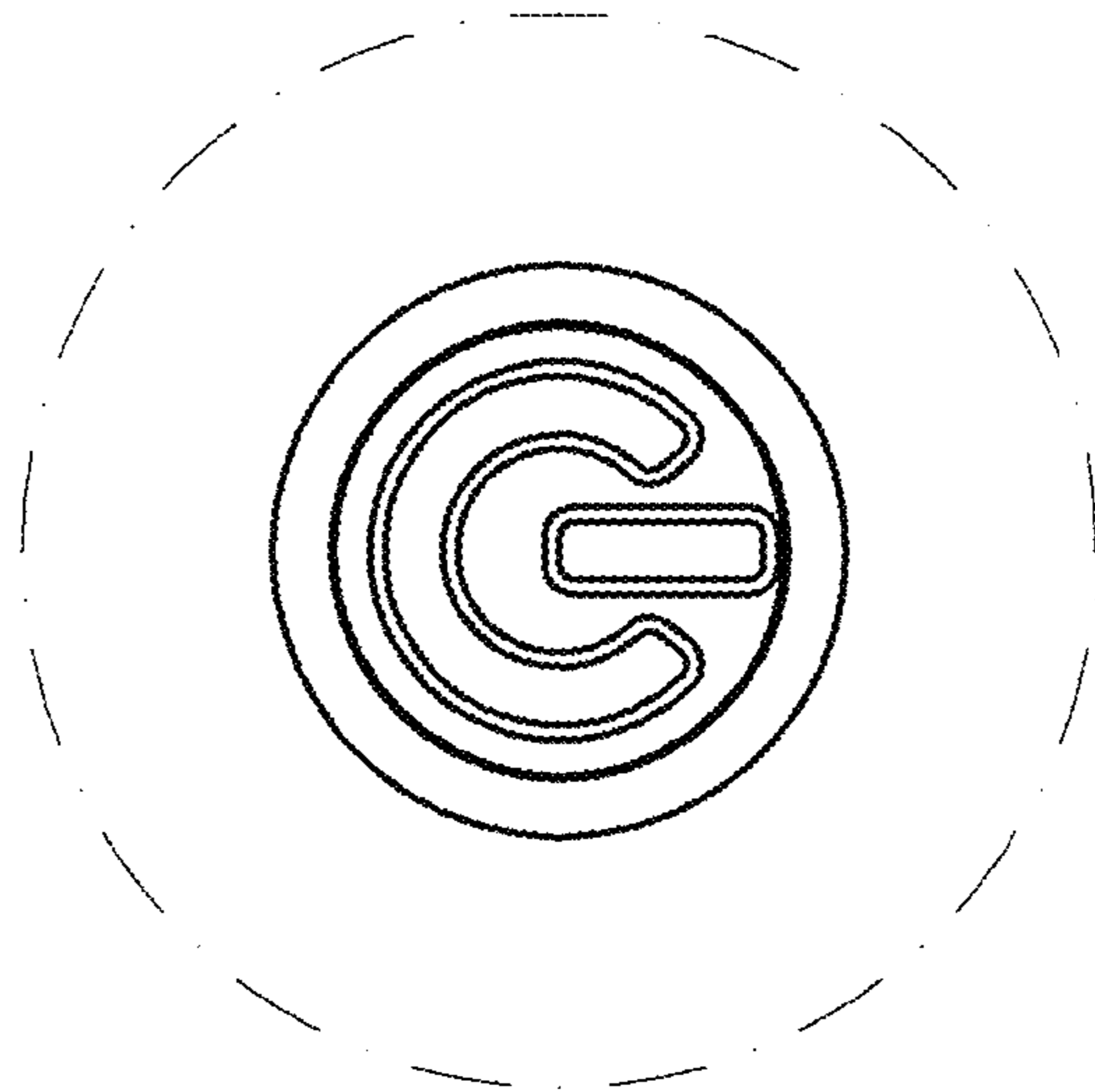


**FIG. 11**





**FIG. 12**



**FIG. 13**