



US00D762860S

(12) **United States Design Patent**
He et al.

(10) **Patent No.:** **US D762,860 S**
(45) **Date of Patent:** **** Aug. 2, 2016**

(54) **SAMPLE DETECTING READER**

(71) Applicant: **ABON BIOPHARM (HANGZHOU) CO., LTD**, Hangzhou (CN)
(72) Inventors: **Xiao Wei He**, Hangzhou (CN); **Wei Liu**, Hangzhou (CN)
(73) Assignee: **Abon Biopharm (Hangzhou) Co., Ltd.**, Hangzhou (CN)

(**) Term: **14 Years**
(21) Appl. No.: **29/454,951**
(22) Filed: **May 15, 2013**

(30) **Foreign Application Priority Data**
Nov. 19, 2012 (CN) 2012 3 0559483
Nov. 19, 2012 (CN) 2012 3 0559646
Nov. 19, 2012 (CN) 2012 3 0559720
(51) **LOC (10) Cl.** **24-01**
(52) **U.S. Cl.**
USPC **D24/186**
(58) **Field of Classification Search**
USPC D24/167, 186; D11/3; D10/30-39, 65, D10/70, 78, 97, 98, 103; D13/173-177; D14/203.5, 247, 338-340, 344, 346, D14/347
CPC G08G 1/096883; G08G 1/096872; G08G 1/096775; G01C 21/16; G01C 21/3688; G01C 21/30; G01V 8/20; G01J 5/023; G01J 5/24; A61B 5/4824; A61B 5/483
See application file for complete search history.

(56) **References Cited**

U.S. PATENT DOCUMENTS

D598,551 S *	8/2009	Miwa	D24/186
D612,503 S *	3/2010	Johnston	D24/186
D650,484 S *	12/2011	Shinohara	D24/186
D678,530 S *	3/2013	Khan	D24/186
D695,410 S *	12/2013	Becker	D14/371

* cited by examiner

Primary Examiner — Zenia Bennett

(74) *Attorney, Agent, or Firm* — DLA Piper LLP (US)

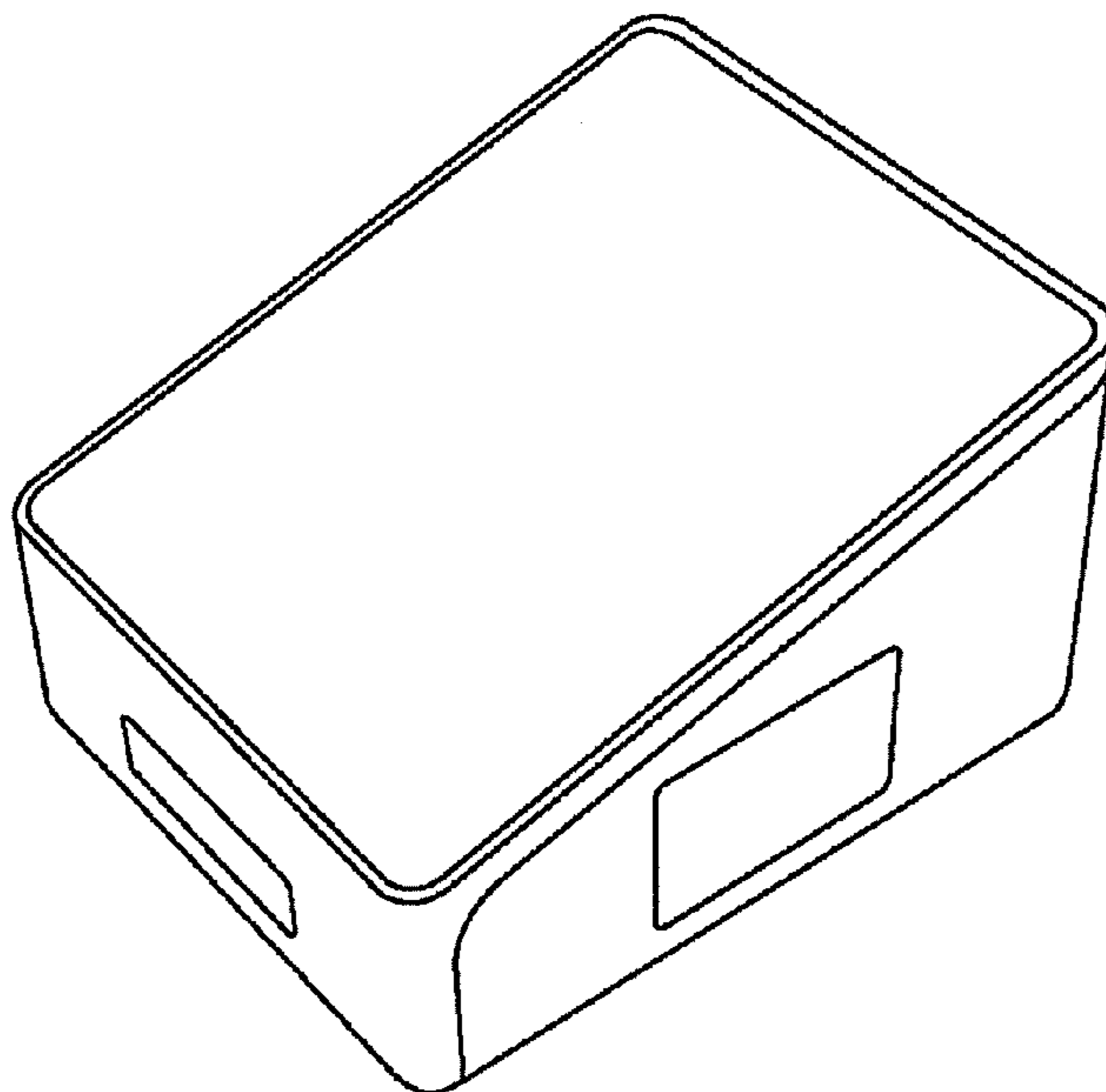
(57) **CLAIM**

The ornamental design for the sample detecting reader, as shown and described.

DESCRIPTION

FIG. 1 is a perspective view of the sample detecting reader embodying the design of the invention;
FIG. 2 is a front-end view of the sample detecting reader of FIG. 1;
FIG. 3 is a rear-side view of the sample detecting reader of FIG. 1;
FIG. 4 is a left-side view of the sample detecting reader of FIG. 1;
FIG. 5 is a right-side view of the sample detecting reader of FIG. 1; and,
FIG. 6 is a top-end view of the sample detecting reader of FIG. 1.

1 Claim, 5 Drawing Sheets



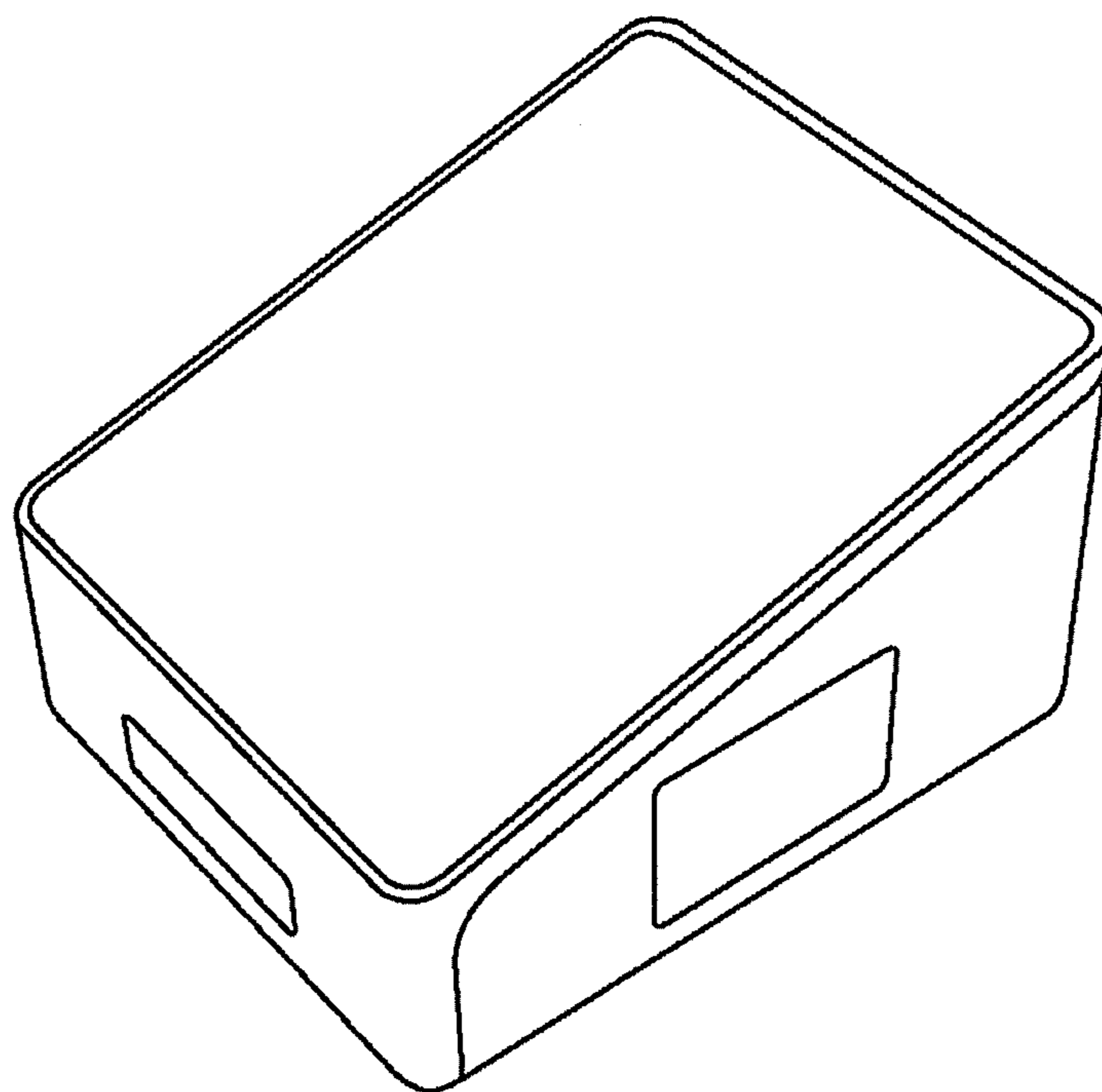


FIG. 1

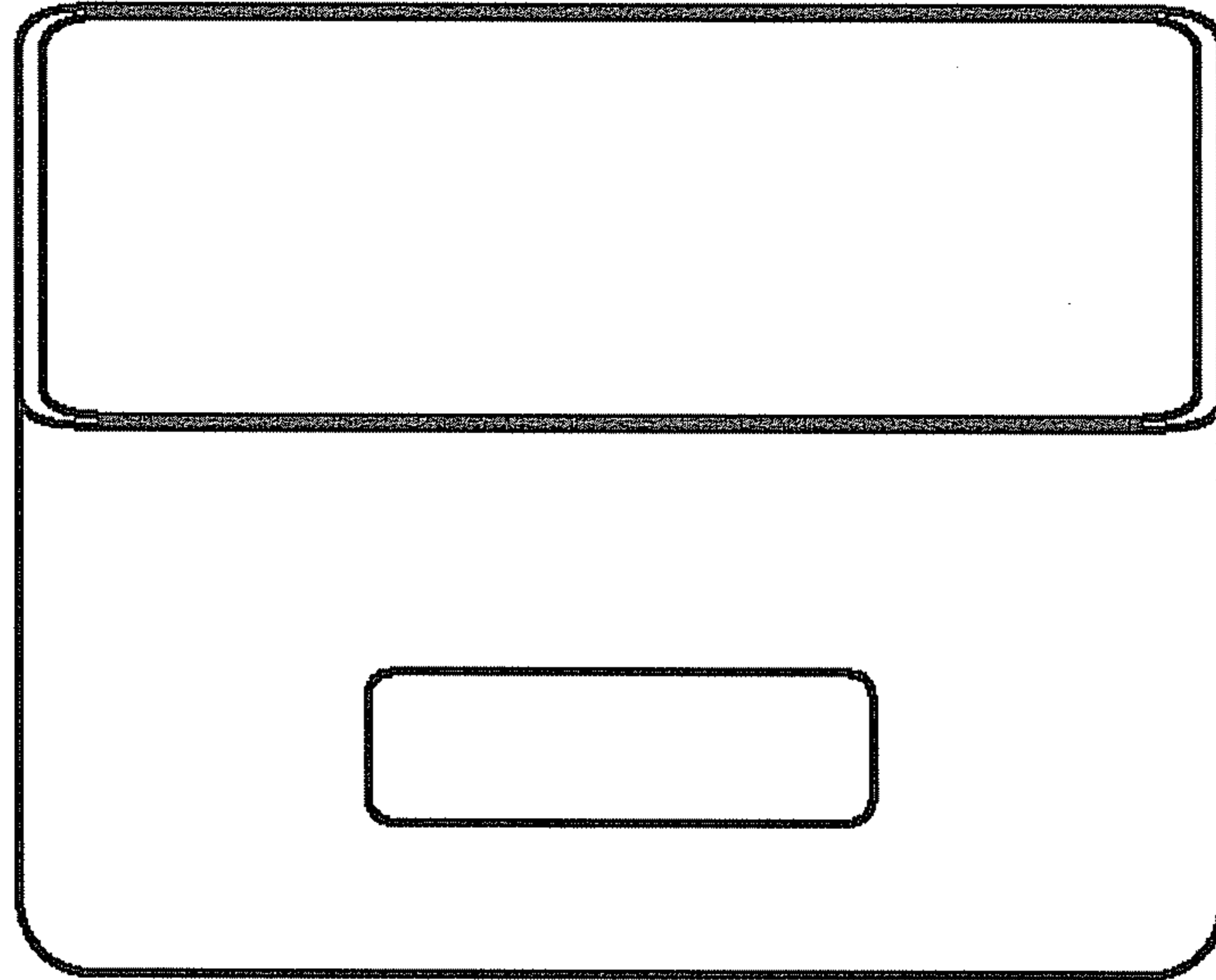


FIG. 2

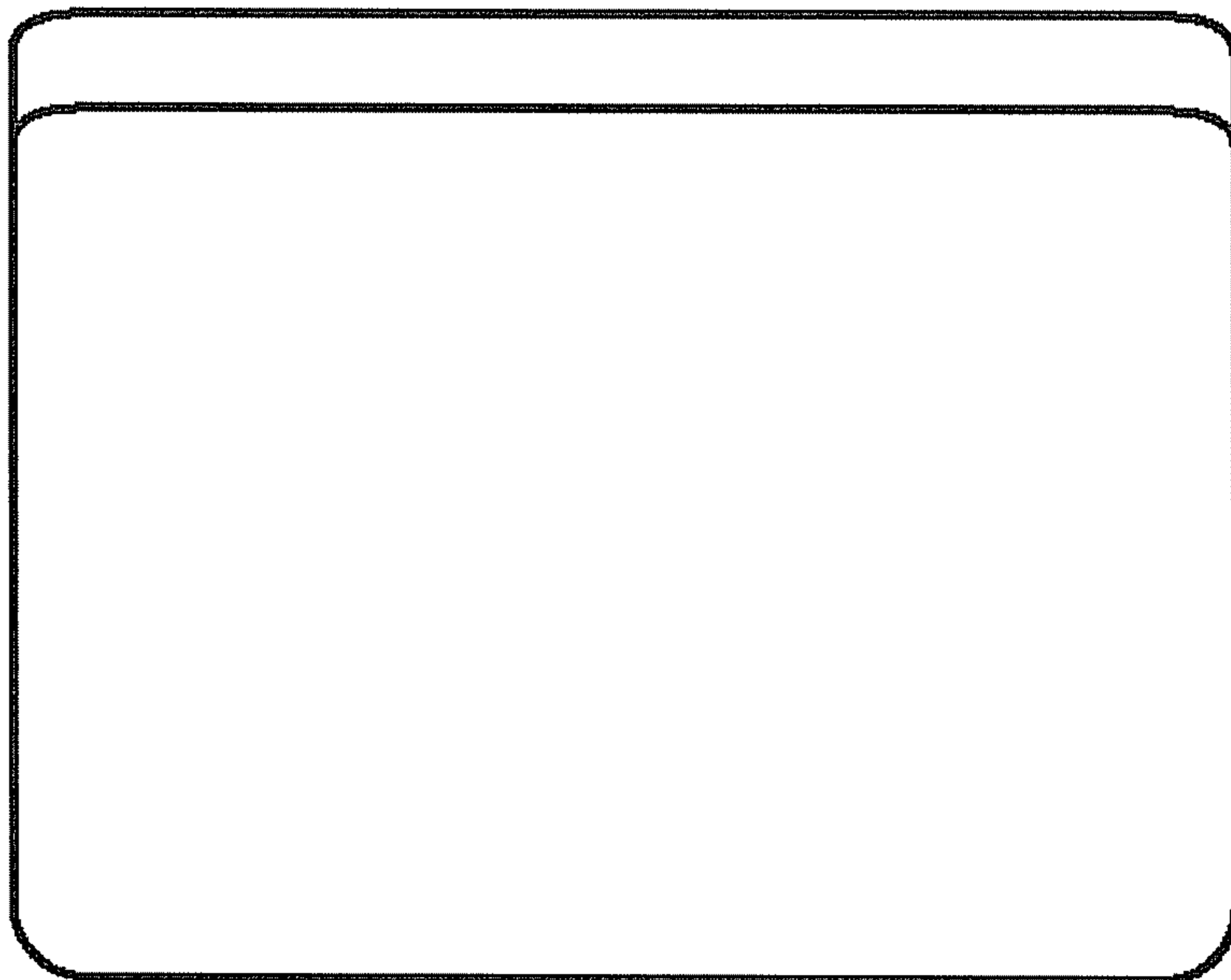


FIG. 3

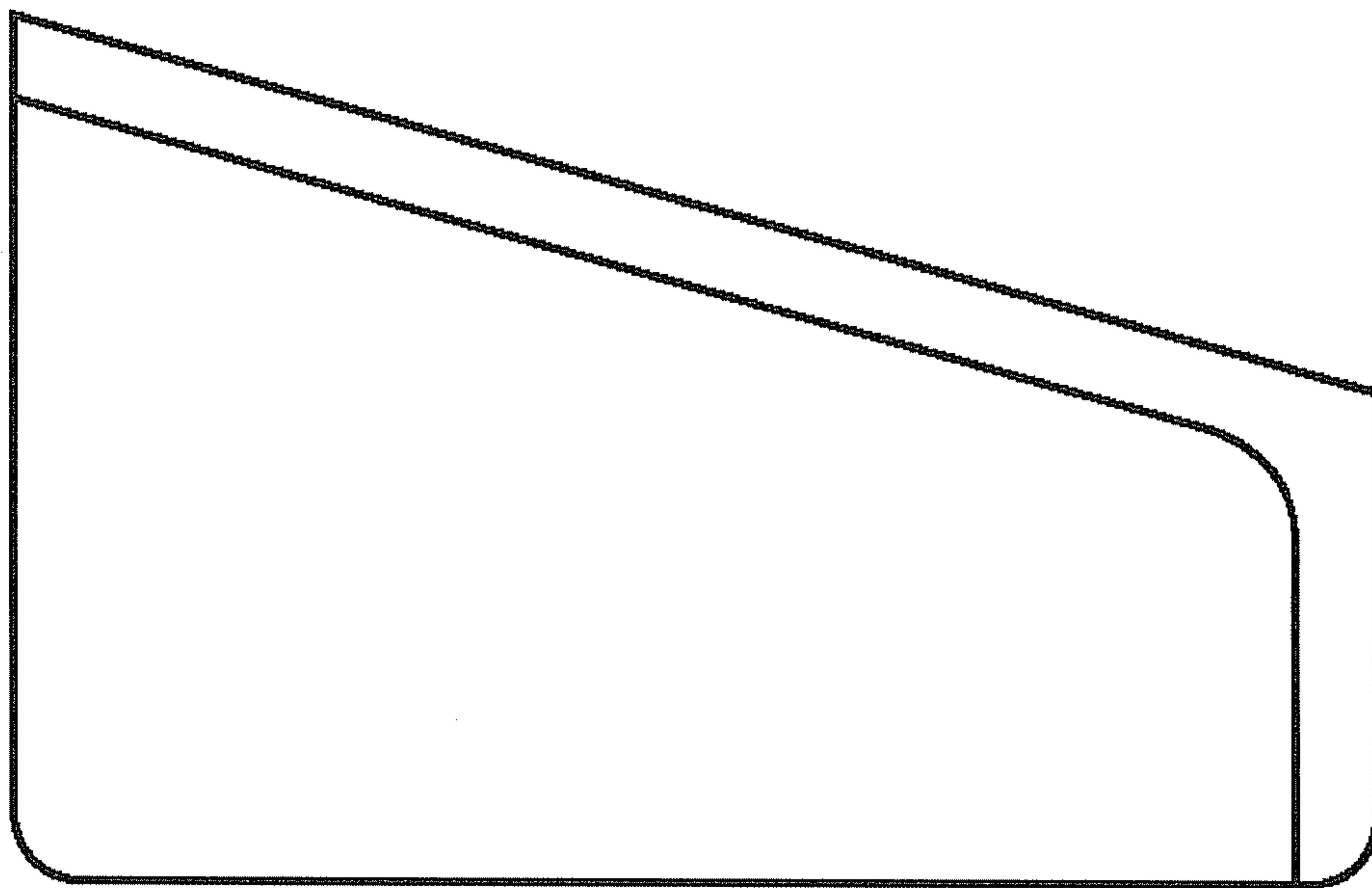


FIG. 4

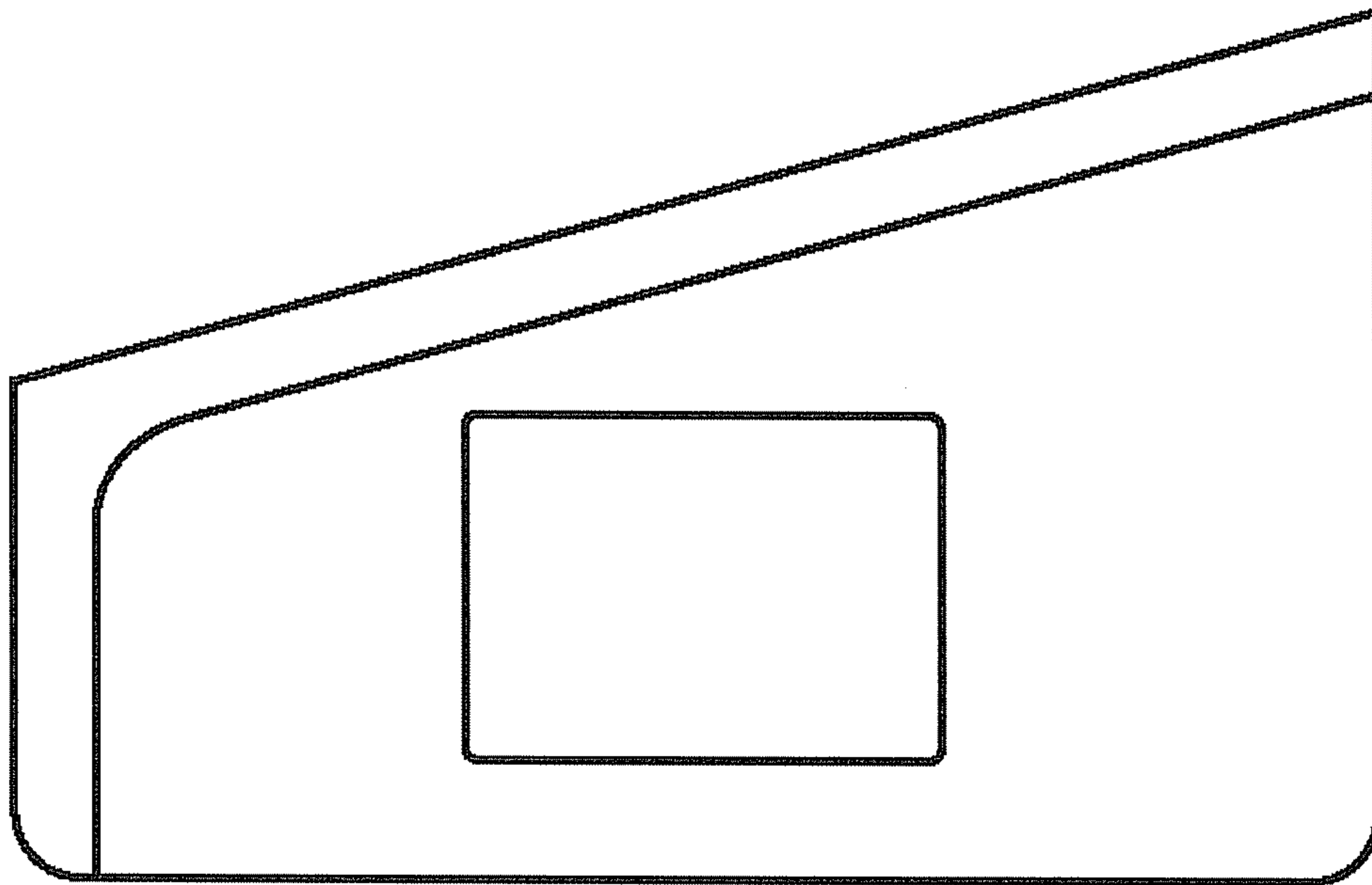


FIG. 5

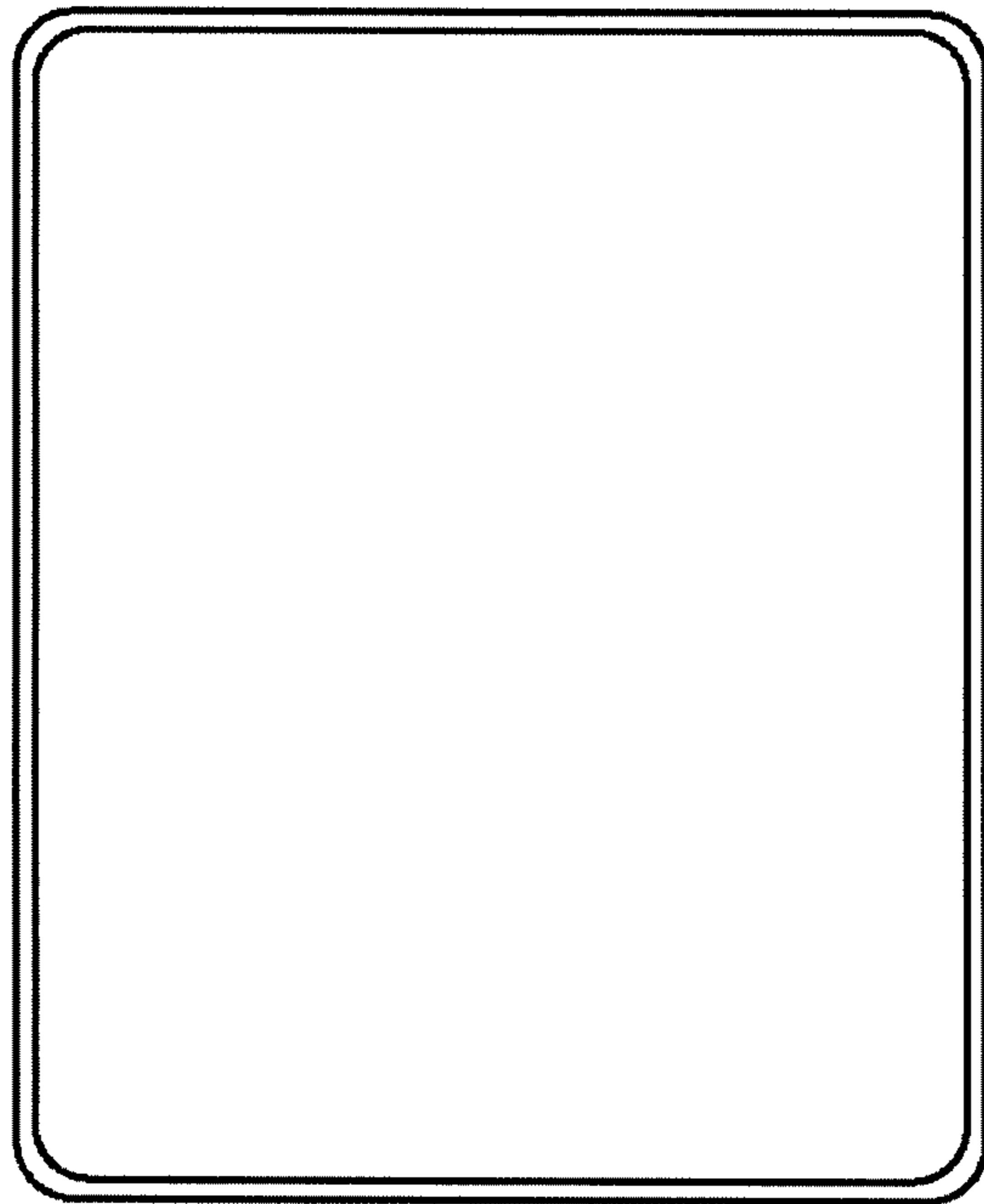


FIG. 6