



US00D762858S

(12) **United States Design Patent**
Iwabuchi

(10) **Patent No.:** **US D762,858 S**
(45) **Date of Patent:** **** Aug. 2, 2016**

(54) **HEARING AID**

FOREIGN PATENT DOCUMENTS

- (71) Applicant: **Nikon-Essilor Co., Ltd.**, Tokyo (JP)
- (72) Inventor: **Masanobu Iwabuchi**, Yokohama (JP)
- (73) Assignee: **Nikon-Essilor Co., Ltd.** (JP)

JP	1059686	2/2000
JP	1142200	5/2002
JP	1324142	3/2008
JP	1418175	7/2011
JP	1487746	1/2014

(**) Term: **14 Years**

* cited by examiner

(21) Appl. No.: **29/522,209**

Primary Examiner — Anhdao Doan

(22) Filed: **Mar. 27, 2015**

(74) *Attorney, Agent, or Firm* — Schwegman Lundberg & Woessner, P.A.

(30) **Foreign Application Priority Data**

Sep. 30, 2014 (JP) 2014-021689

(51) **LOC (10) Cl.** **24-99**

(52) **U.S. Cl.**
USPC **D24/174**

(58) **Field of Classification Search**
USPC D24/173–175; D14/205, 223–226, 249
CPC .. H04R 2225/025; H04R 25/60; H04R 25/63;
H04R 25/67; H04R 25/602; H04R 25/604;
H04R 25/608; H04R 25/65; H04R 25/652
See application file for complete search history.

(57) **CLAIM**

The ornamental design for a hearing aid, as shown and described.

(56) **References Cited**

U.S. PATENT DOCUMENTS

D192,860 S *	5/1962	Yamasaki	D24/174
D380,048 S *	6/1997	Hampf	D24/174
D625,418 S *	10/2010	Borregaard	D24/174
D635,125 S *	3/2011	Nousiainen	D14/223
D646,280 S *	10/2011	Yano	D14/205
D737,796 S *	9/2015	Liu	D14/205

DESCRIPTION

FIG. 1 is a front, top, and right side perspective view of a hearing aid showing my new design;
 FIG. 2 is a rear, bottom, and left side perspective view thereof;
 FIG. 3 is a front elevational view thereof;
 FIG. 4 is a rear elevational view thereof;
 FIG. 5 is a top plan view thereof;
 FIG. 6 is a bottom plan view thereof;
 FIG. 7 is a right side elevational view thereof; and,
 FIG. 8 is a left side elevational view thereof.
 The broken lines immediately adjacent the shaded areas represent the bounds of the claim, while all other broken lines are directed to environment; the broken lines form no part of the claimed design.

1 Claim, 8 Drawing Sheets

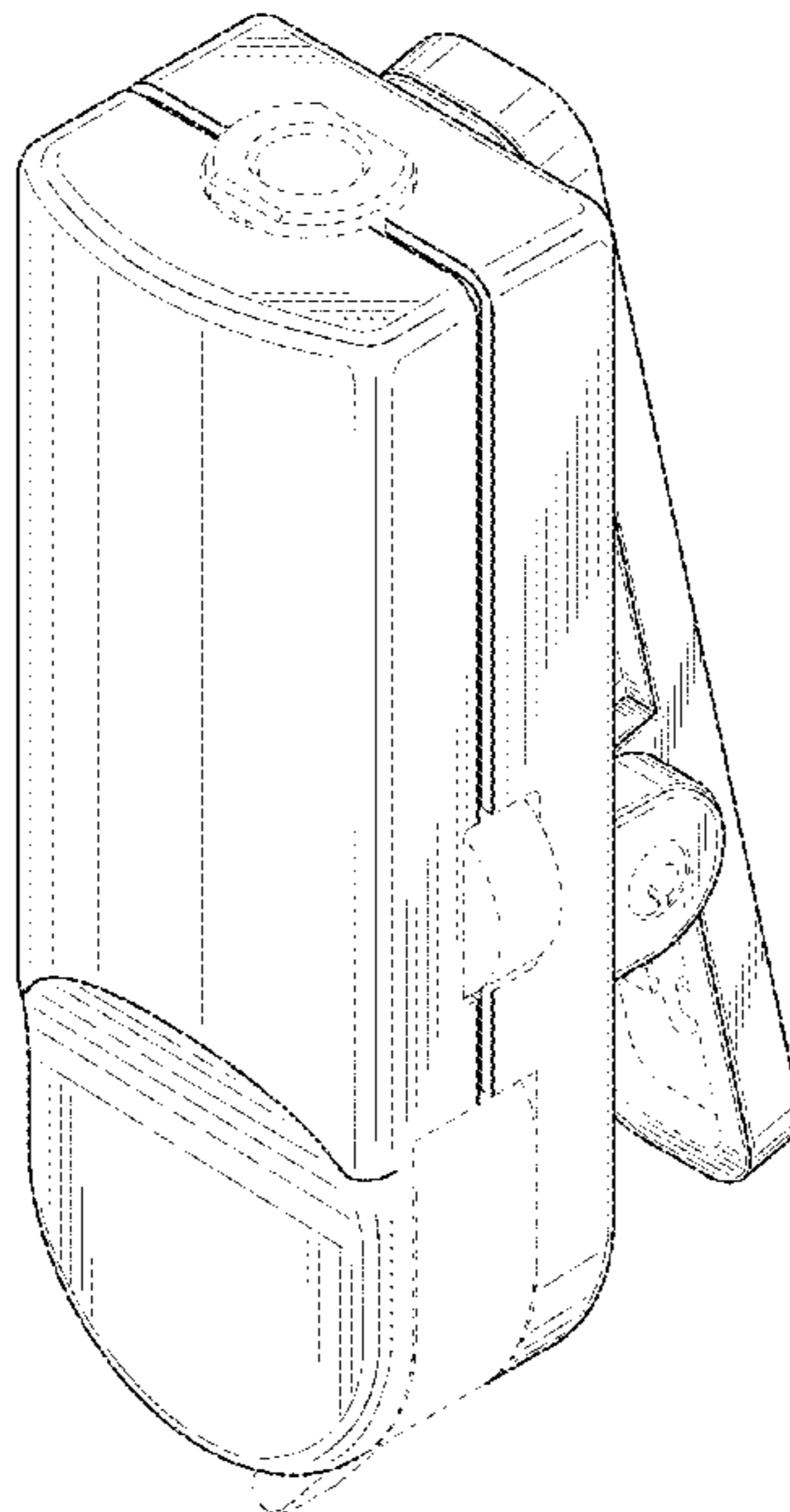


FIG. 1

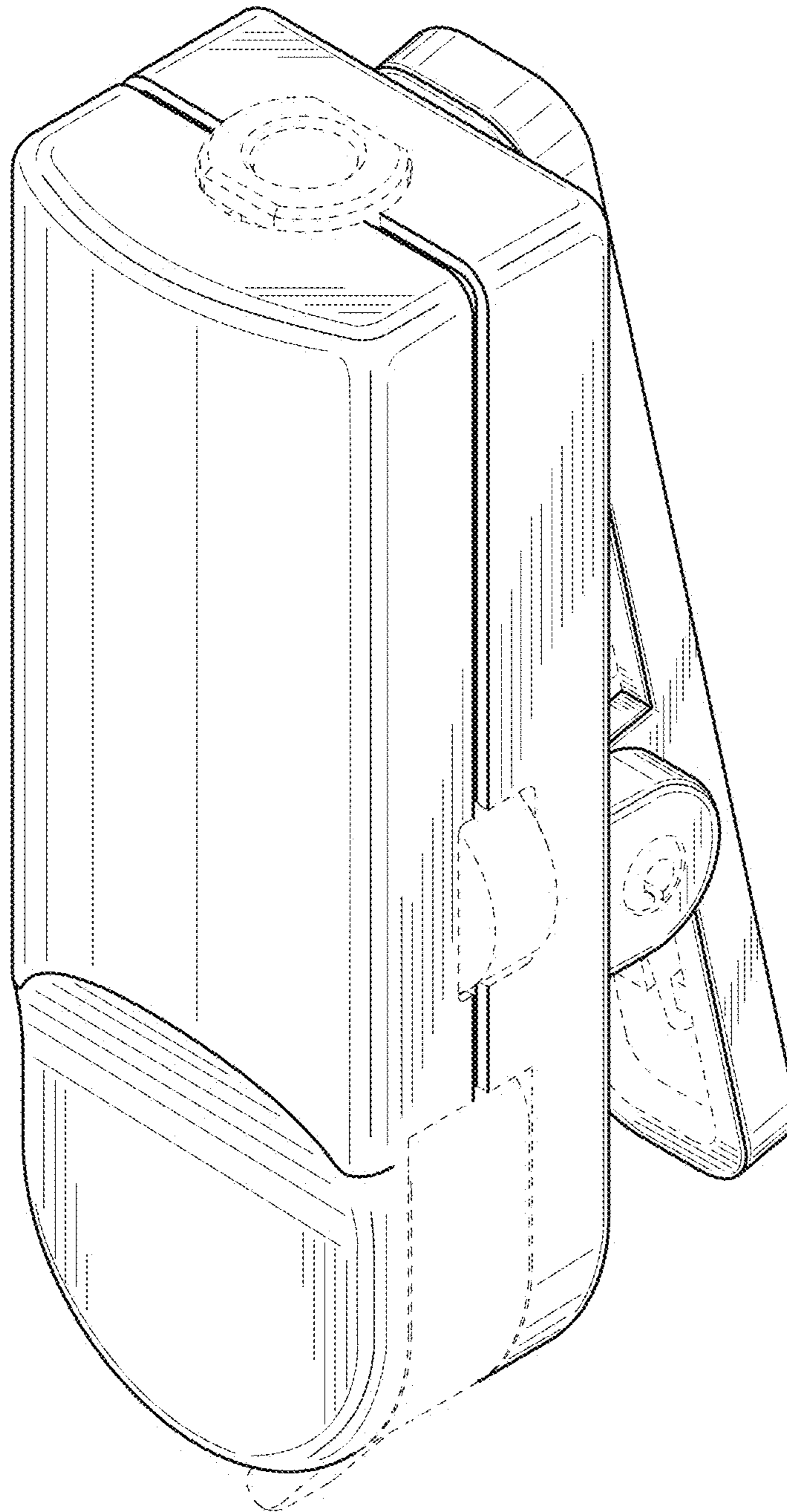


FIG. 2

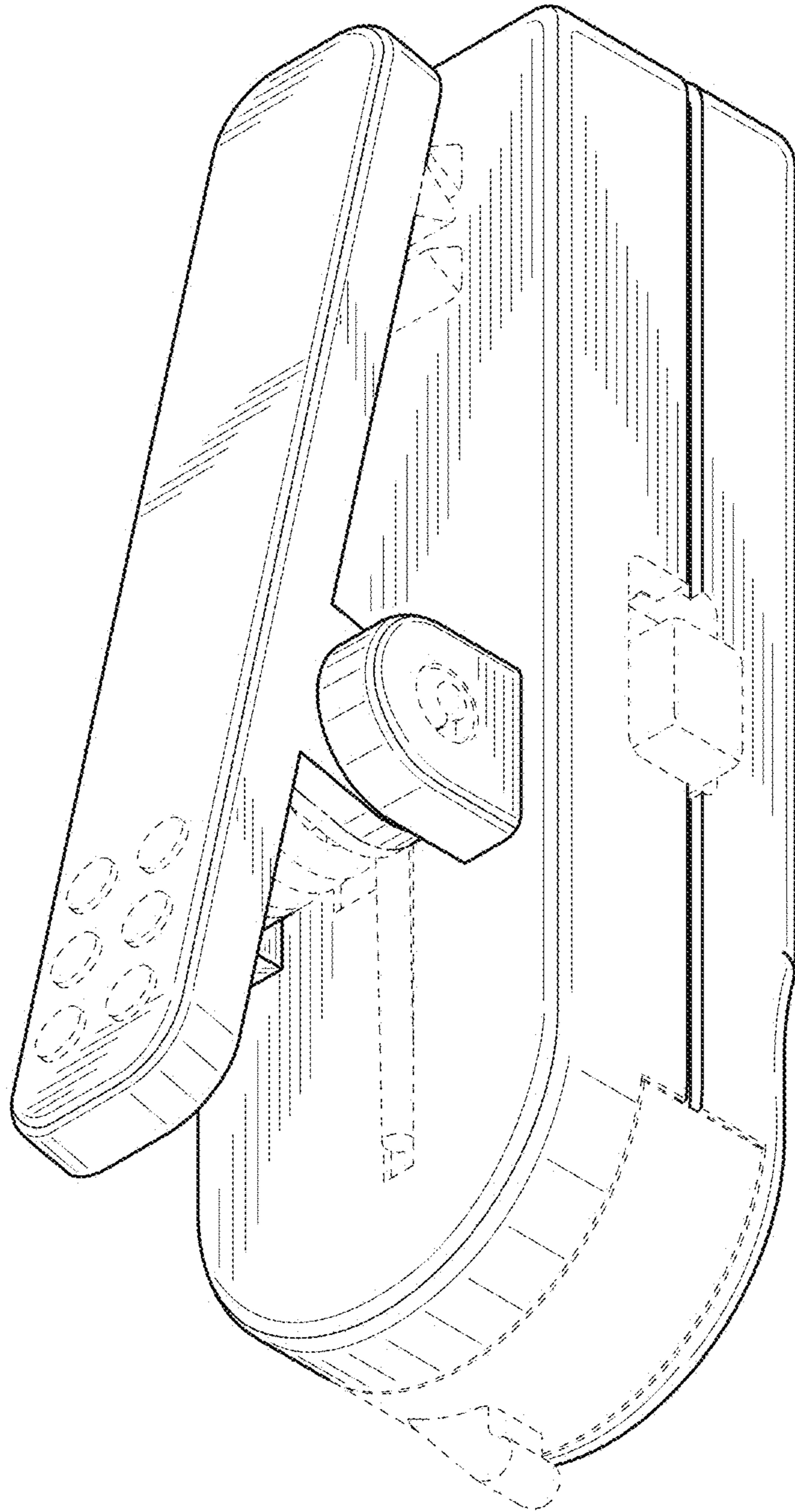


FIG. 3

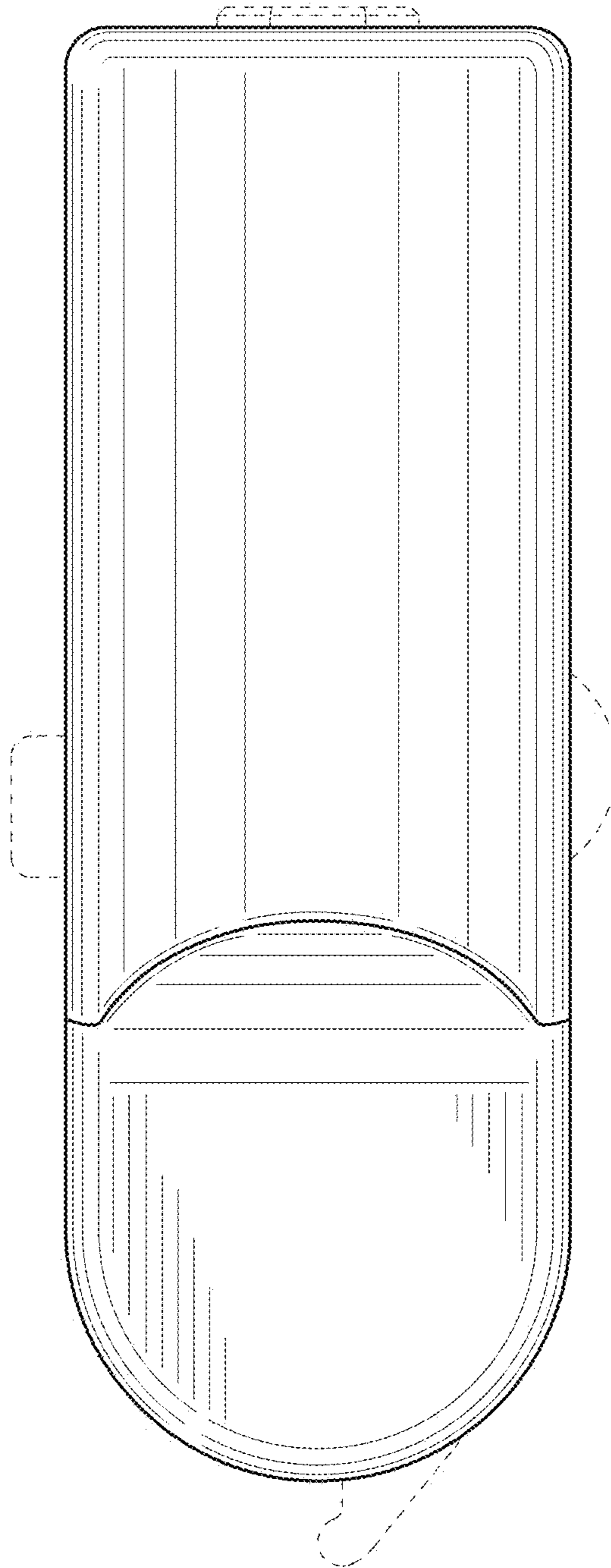


FIG. 4

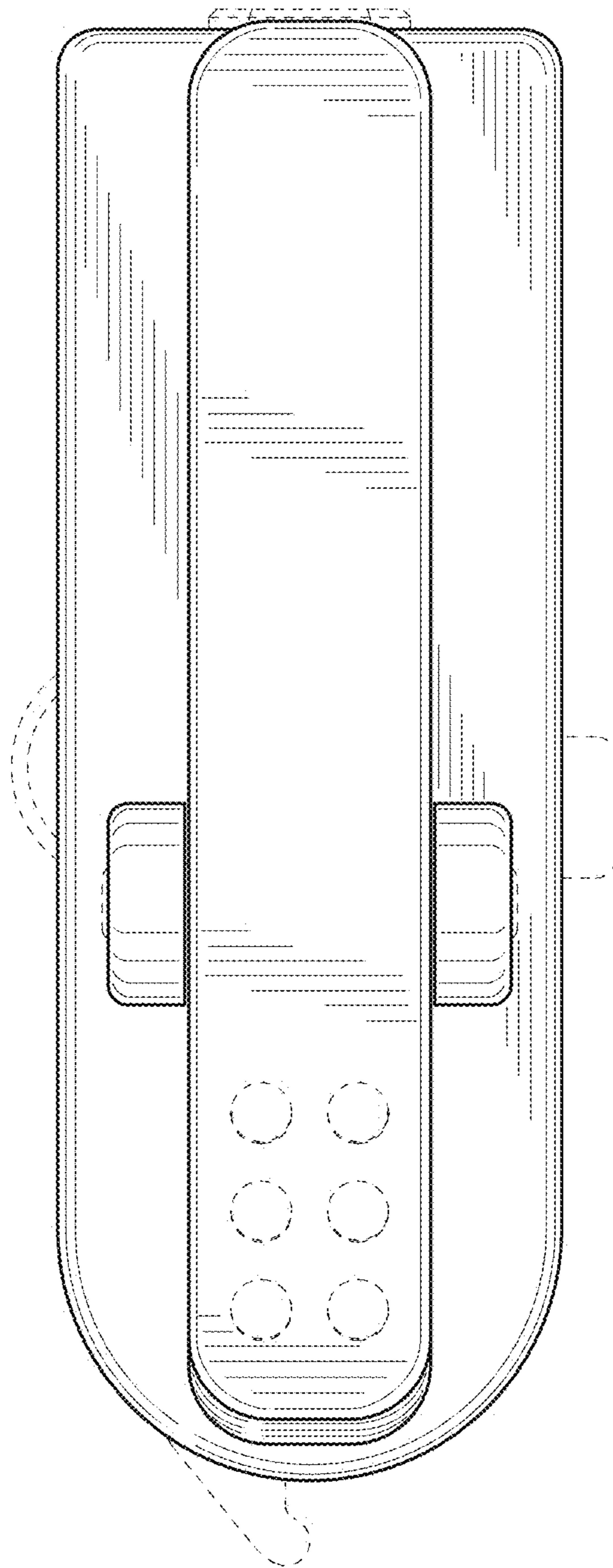


FIG. 5

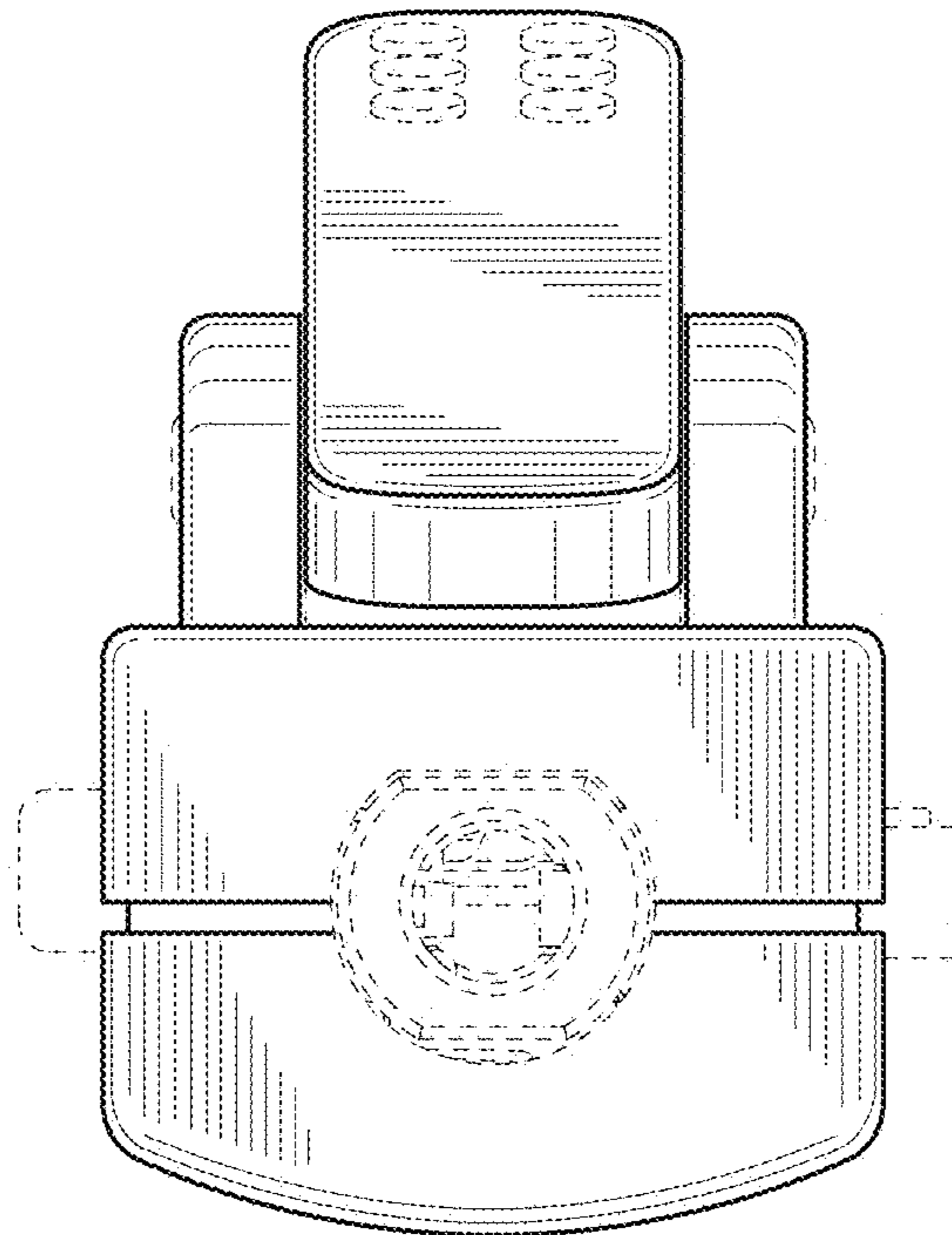


FIG. 6

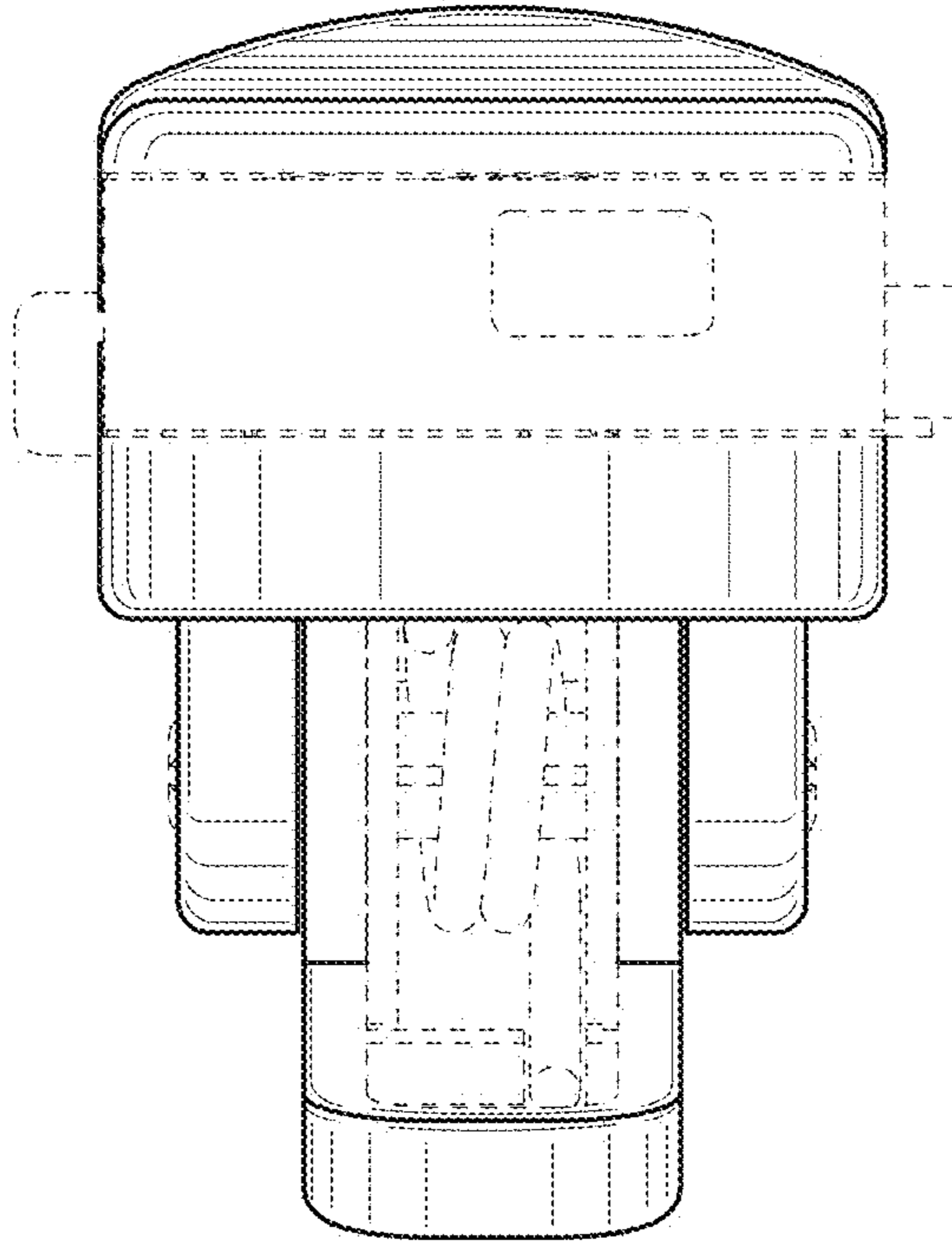


FIG. 7

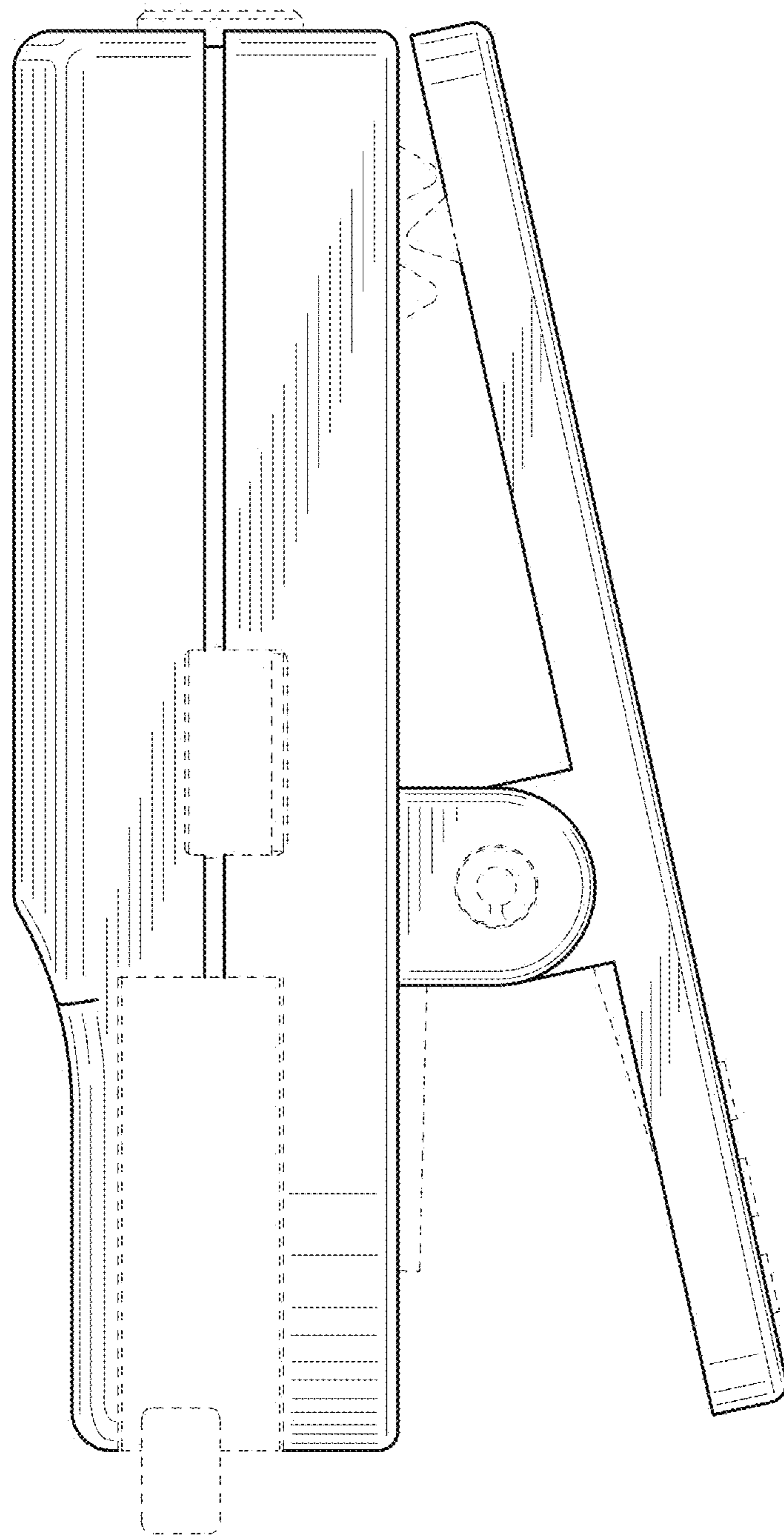


FIG. 8

