



US00D762856S

(12) **United States Design Patent**  
**Steward, Jr.**

(10) **Patent No.:** **US D762,856 S**  
(45) **Date of Patent:** **\*\* Aug. 2, 2016**

(54) **ADJUSTABLE DENTAL MEDIA HOLDER**

**DESCRIPTION**

(71) Applicant: **DENTSPLY International Inc.**, York, PA (US)

(72) Inventor: **Curtis L Steward, Jr.**, Sandwich, IL (US)

(73) Assignee: **DENTSPLY International Inc.**, York, PA (US)

(\*\*) Term: **14 Years**

(21) Appl. No.: **29/495,705**

(22) Filed: **Jul. 3, 2014**

**Related U.S. Application Data**

(63) Continuation of application No. 29/427,706, filed on Jul. 20, 2012, now Pat. No. Des. 711,540.

(51) **LOC (10) Cl.** ..... **24-01**

(52) **U.S. Cl.**  
USPC ..... **D24/161**

(58) **Field of Classification Search**

USPC ..... D24/158-161, 152, 176, 177, 186, 187, D24/128; 378/38, 39, 167, 168, 170, 177, 378/180, 191, 205, 208; 433/27, 29  
CPC .. G03B 42/025; G03B 42/042; A61B 6/4435; A61B 6/145

See application file for complete search history.

(56) **References Cited**

**U.S. PATENT DOCUMENTS**

5,737,388 A 4/1998 Kossila  
D406,892 S \* 3/1999 Warren ..... D24/161

(Continued)

*Primary Examiner* — Anhdao Doan

(74) *Attorney, Agent, or Firm* — Leana Levin; Douglas J. Hura; David A. Zdurne

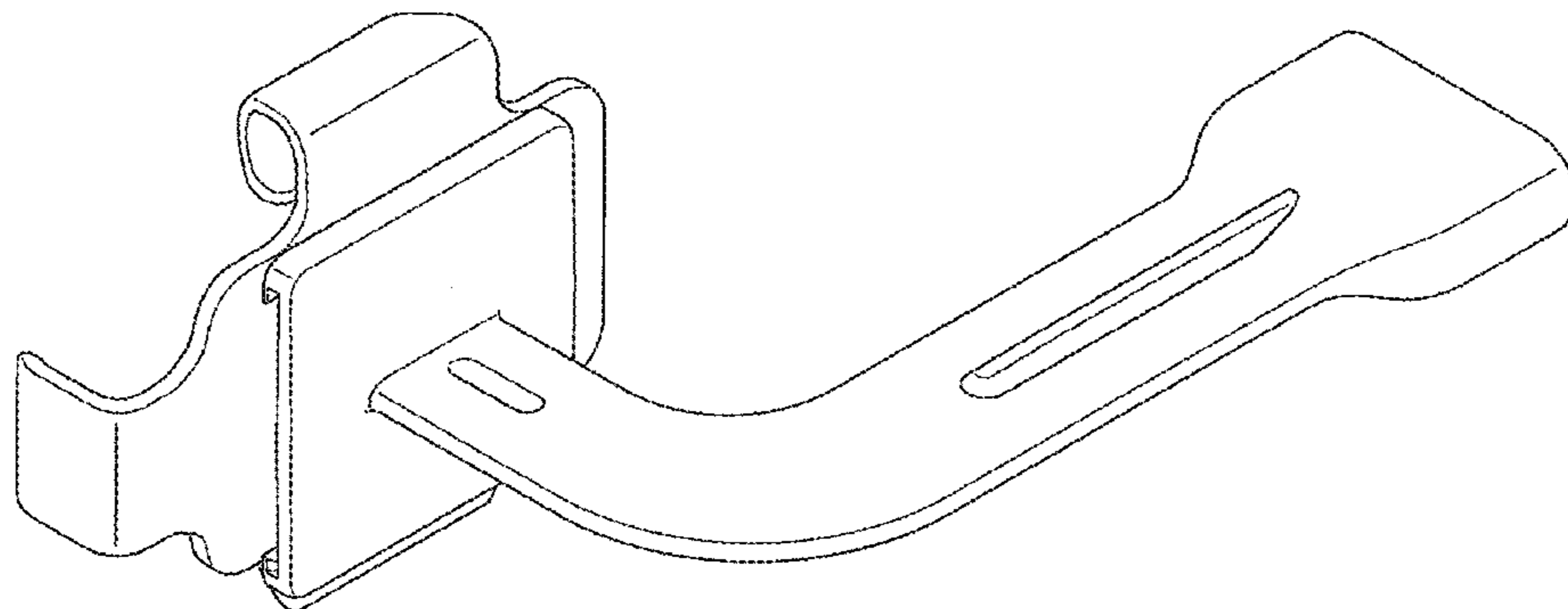
(57) **CLAIM**

The ornamental design for an adjustable dental media holder, as shown and described.

FIG. 1 is a rearward perspective view of an embodiment of an adjustable dental media holder of the present invention; FIG. 2 is a forward perspective view of the adjustable dental media holder shown in FIG. 1; FIG. 3 is a top of the adjustable dental media holder shown in FIG. 1; FIG. 4 is a zoomed-in view of the adjustable dental media holder shown in FIG. 3; FIG. 5 is a perspective view of the bite block component of the adjustable dental media holder shown in FIG. 1; FIG. 6 is a bottom view of the bite block component shown in FIG. 1; FIG. 7 is a top view of the bite block component shown in FIG. 1; FIG. 8 is a right side view of the bite block component shown in FIG. 1, the left side view being a mirror image; FIG. 9 is a rearward view of the bite block component shown in FIG. 1; FIG. 10 is a front view of the bite block component shown in FIG. 1; FIG. 11 is a rearward perspective view of the sensor holder component with a digital sensor; FIG. 12 is a front perspective view of the sensor holder component shown in 11; FIG. 13 is a rearward perspective view of the adjustable dental media holder shown in FIG. 1 with a digital sensor; FIG. 14 is a forward perspective view of the adjustable dental media holder shown in FIG. 13; FIG. 15 is a rearward perspective view of the adjustable dental media holder shown in FIG. 13 with a ring attachment; FIG. 16 is a forward perspective view of the adjustable dental media holder shown in FIG. 15; FIG. 17 is a rearward perspective view of the adjustable dental media holder shown in FIG. 13 with the sensor holder component shown in an alternate position; FIG. 18 is a forward perspective view of the adjustable dental media holder shown in FIG. 17; FIG. 19 is a rearward perspective view of the adjustable dental media holder shown in FIG. 17 with a ring attachment; FIG. 20 is a forward perspective view of the adjustable dental media holder shown in FIG. 18; and, FIG. 21 is an exploded perspective view of the adjustable dental media holder shown in FIG. 1.

The broken lines in FIGS. 3 and 4 are included to indicate the area being enlarged, and the broken lines in FIGS. 10-21 are included to illustrate environmental subject matter. None of the broken lines form part of the claimed design.

**1 Claim, 19 Drawing Sheets**



(56)

References Cited

U.S. PATENT DOCUMENTS

|           |    |         |                     |              |      |         |                     |                        |
|-----------|----|---------|---------------------|--------------|------|---------|---------------------|------------------------|
| 6,343,875 | B1 | 2/2002  | Eppinger et al.     | 8,177,428    | B2   | 5/2012  | Steck et al.        |                        |
| 6,540,399 | B1 | 4/2003  | Eppinger et al.     | 8,876,375    | B2 * | 11/2014 | Laude .....         | G03B 42/042<br>378/170 |
| 6,957,912 | B2 | 10/2005 | Sisto et al.        | 2002/0076002 | A1   | 6/2002  | Eppinger et al.     |                        |
| 6,974,253 | B2 | 12/2005 | Ihalainen           | 2002/0176539 | A1 * | 11/2002 | Da Rold .....       | G03B 42/042<br>378/168 |
| 7,033,075 | B2 | 4/2006  | Landis et al.       | 2002/0196903 | A1   | 12/2002 | Eppinger et al.     |                        |
| 7,226,208 | B2 | 6/2007  | Schmulenson         | 2007/0121789 | A1   | 5/2007  | Steck et al.        |                        |
| 7,290,928 | B2 | 11/2007 | Calderwood et al.   | 2010/0027756 | A1 * | 2/2010  | Hof .....           | G03B 42/042<br>378/170 |
| 7,456,404 | B2 | 11/2008 | Sullivan et al.     | 2010/0254518 | A1   | 10/2010 | Khoury              |                        |
| 7,607,830 | B2 | 10/2009 | Schmulenson         | 2010/0322386 | A1   | 12/2010 | Steck et al.        |                        |
| 7,661,880 | B2 | 2/2010  | Calderwood et al.   | 2011/0164733 | A1   | 7/2011  | Steward, Jr. et al. |                        |
| 7,871,199 | B2 | 1/2011  | Szommer             | 2011/0280378 | A1   | 11/2011 | Feltz et al.        |                        |
| 7,959,354 | B2 | 6/2011  | Steward, Jr. et al. | 2011/0293073 | A1   | 12/2011 | Fenske et al.       |                        |
| 8,016,483 | B2 | 9/2011  | Steward, Jr.        | 2011/0299663 | A1   | 12/2011 | Steward, Jr.        |                        |
| 8,057,096 | B2 | 11/2011 | Churchill           |              |      |         |                     |                        |

\* cited by examiner

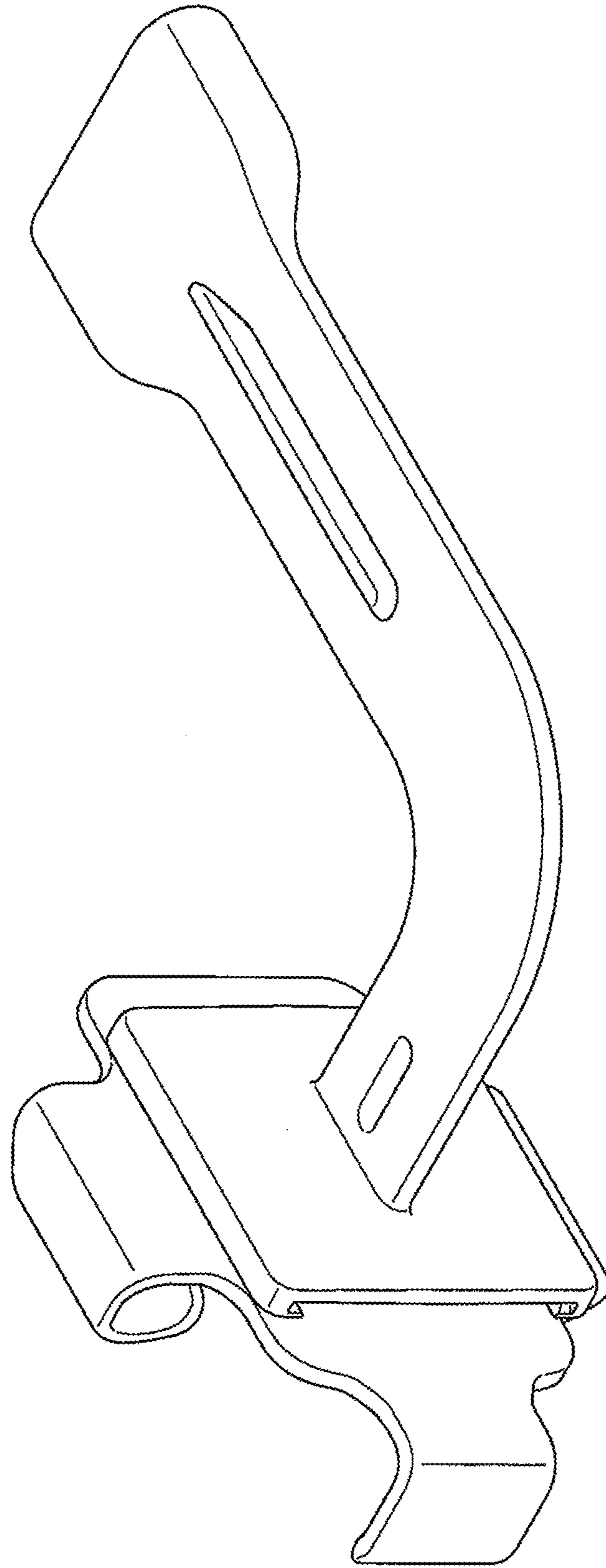


FIG. 1

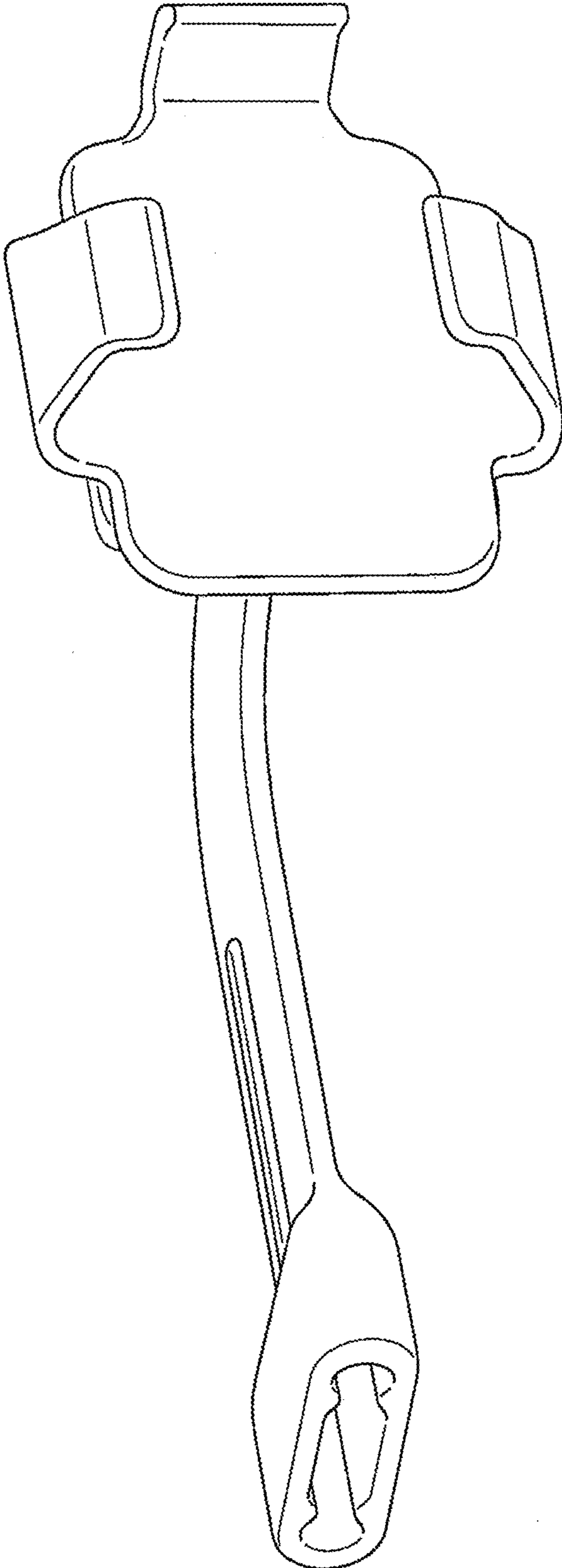
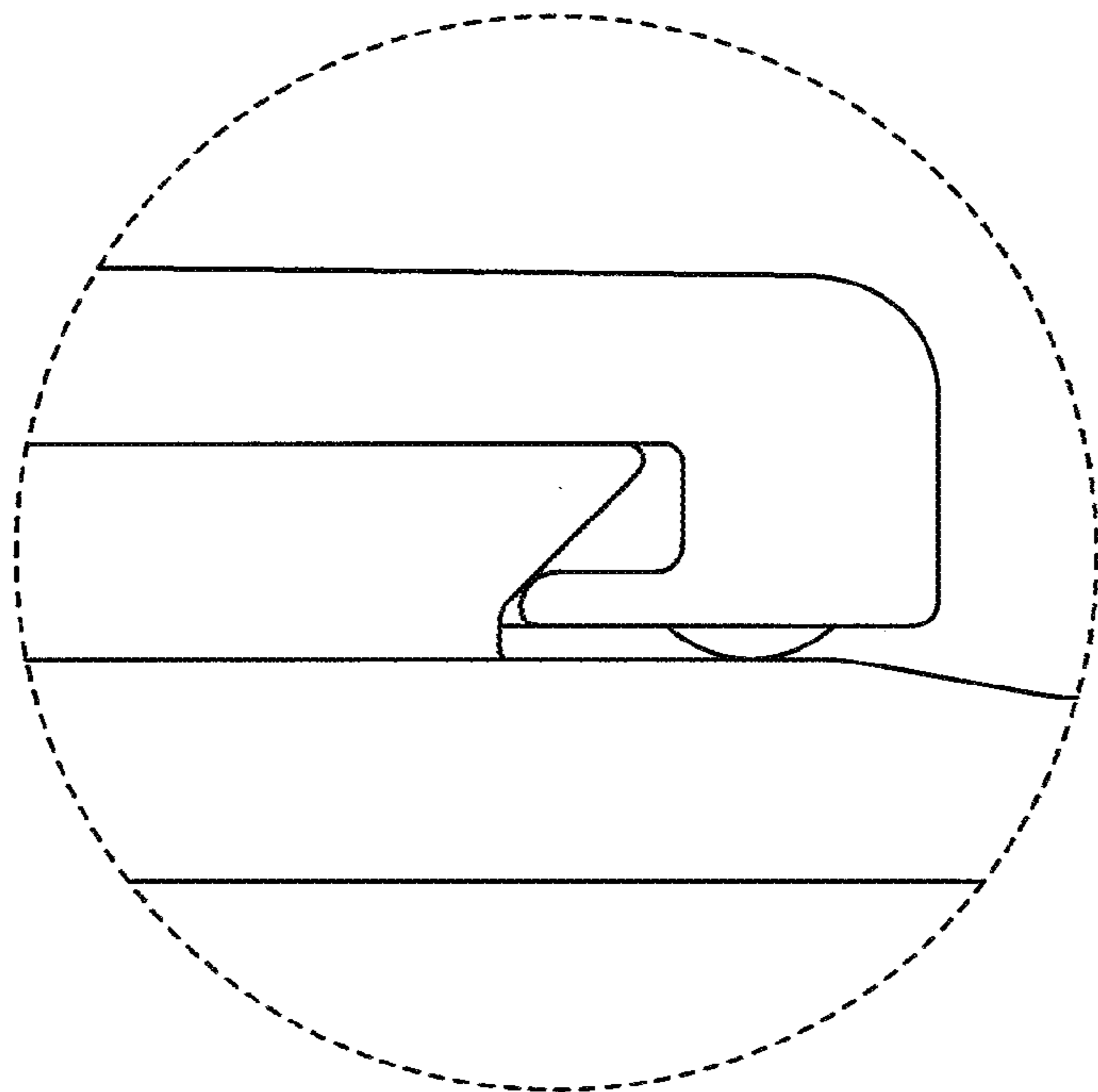
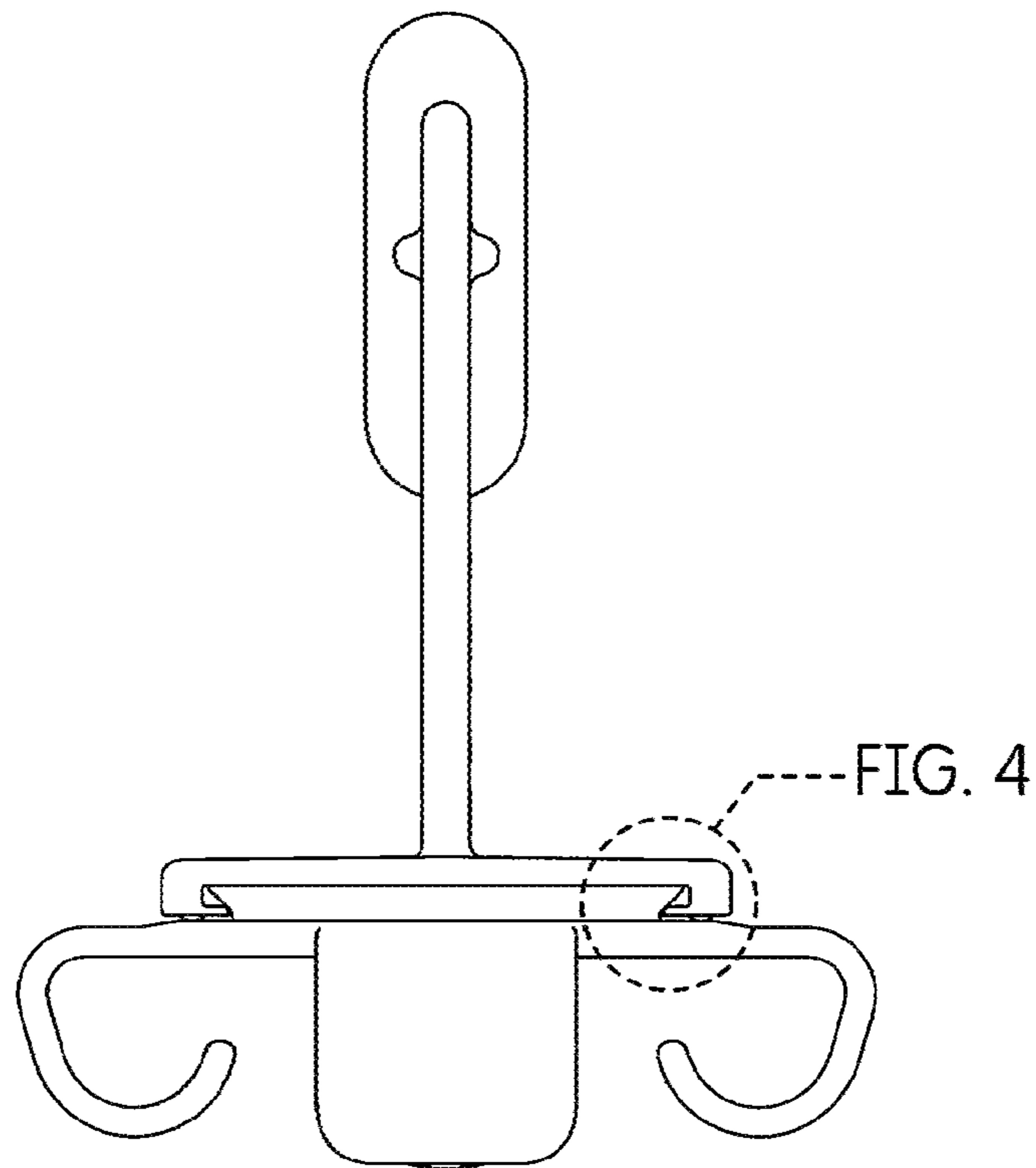


FIG. 2



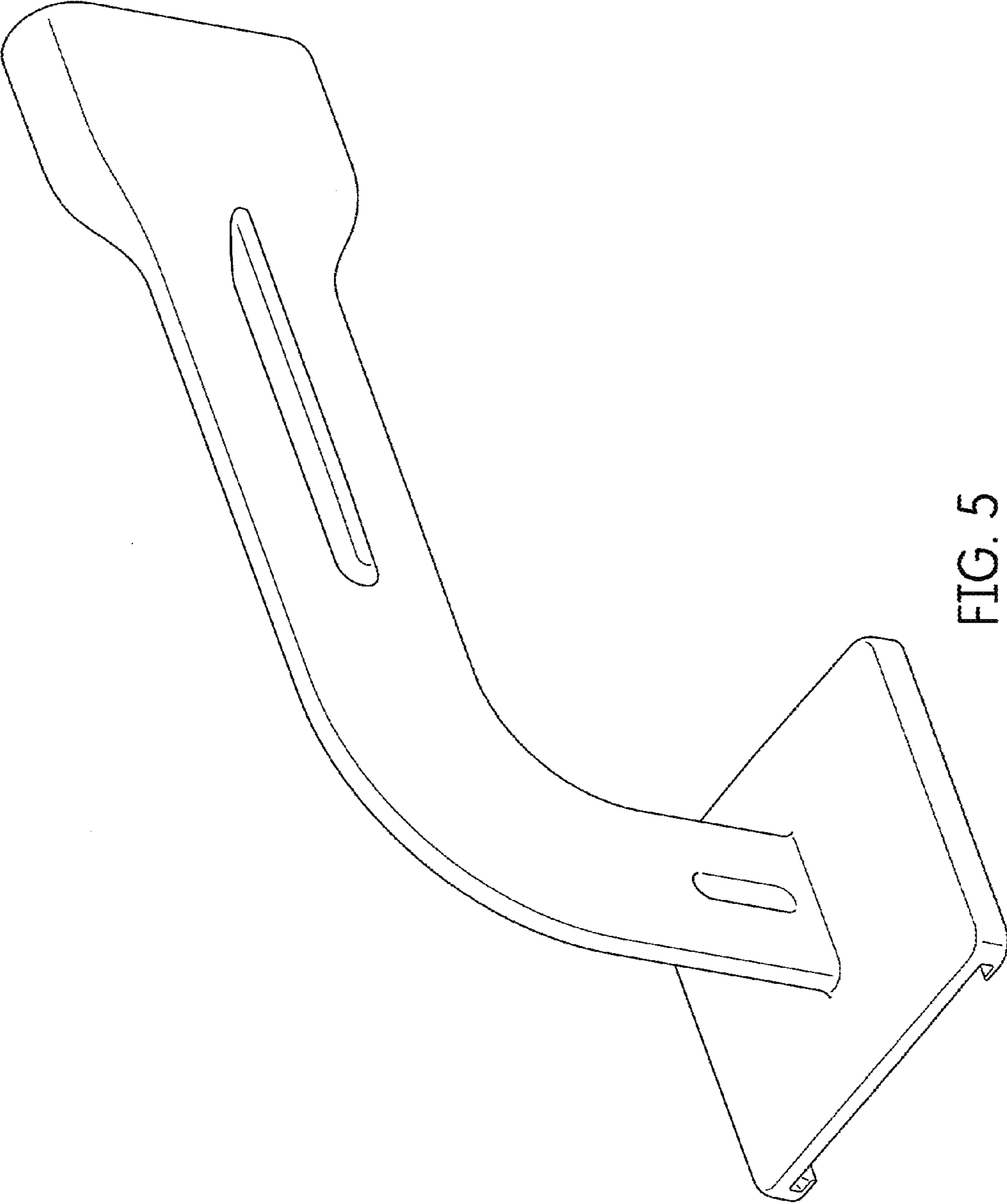


FIG. 5

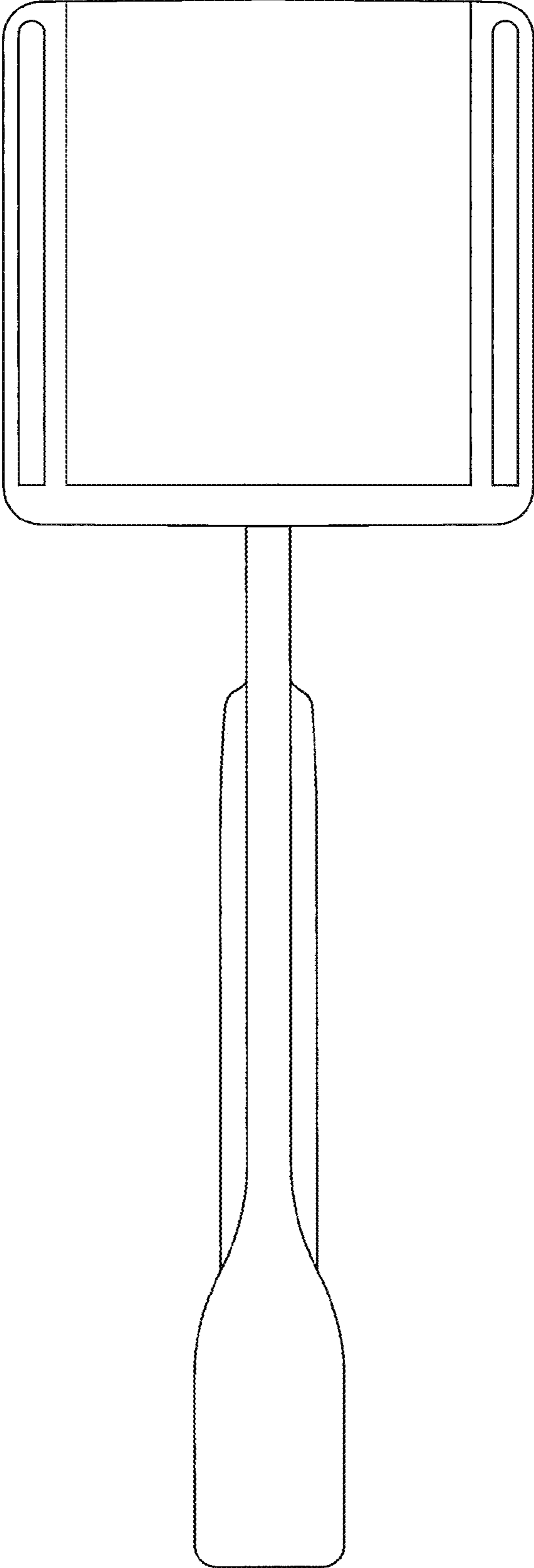


FIG. 6

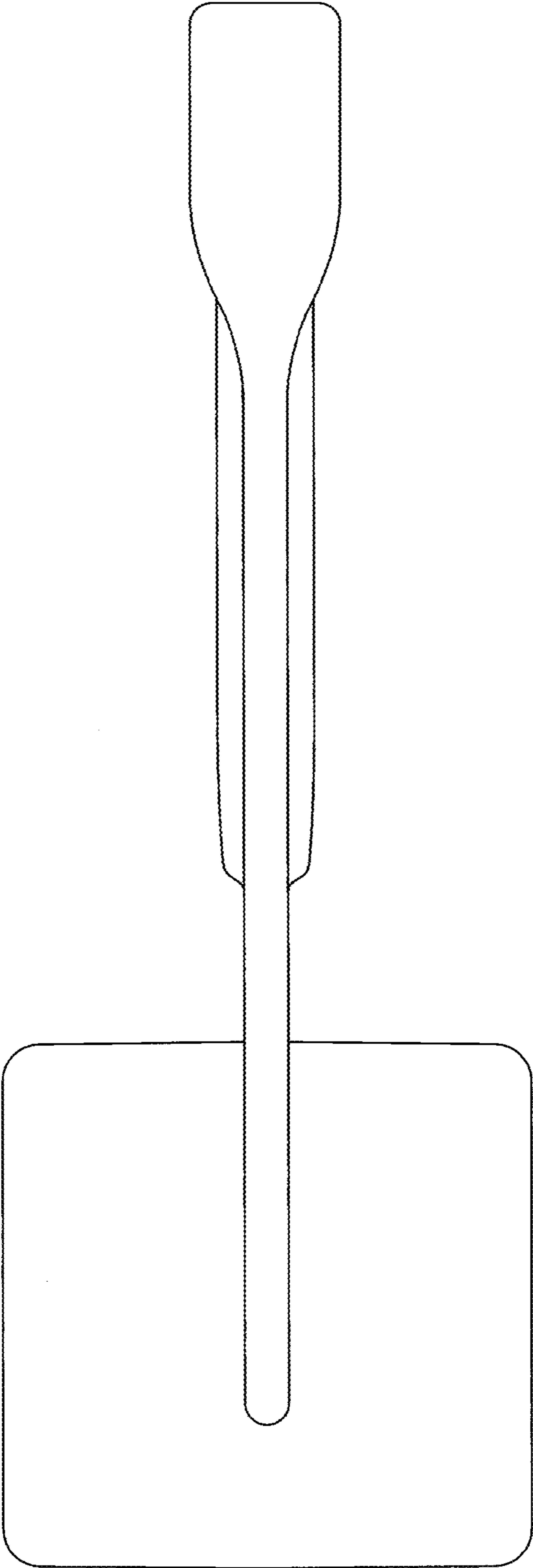


FIG. 7



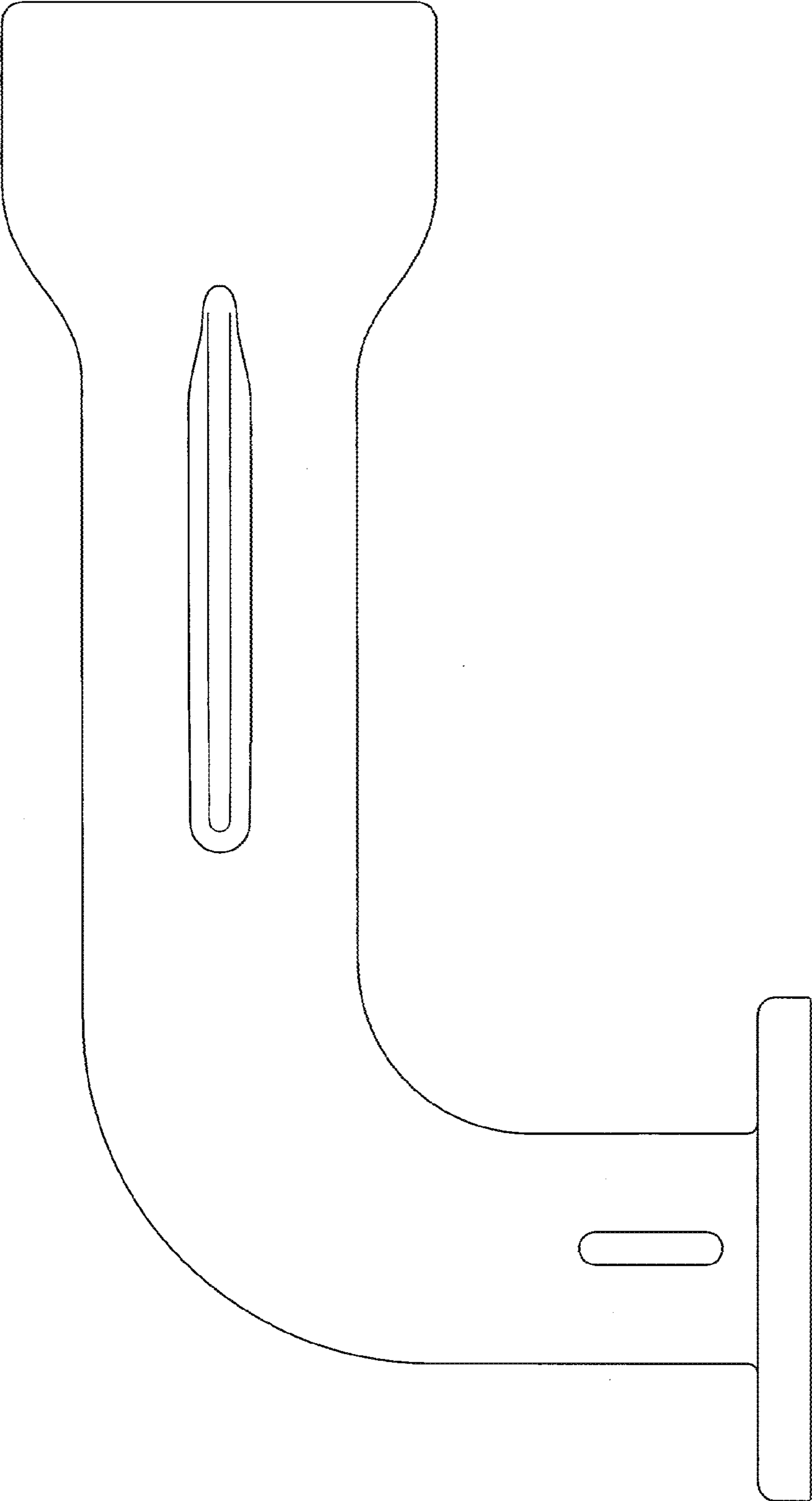


FIG. 8

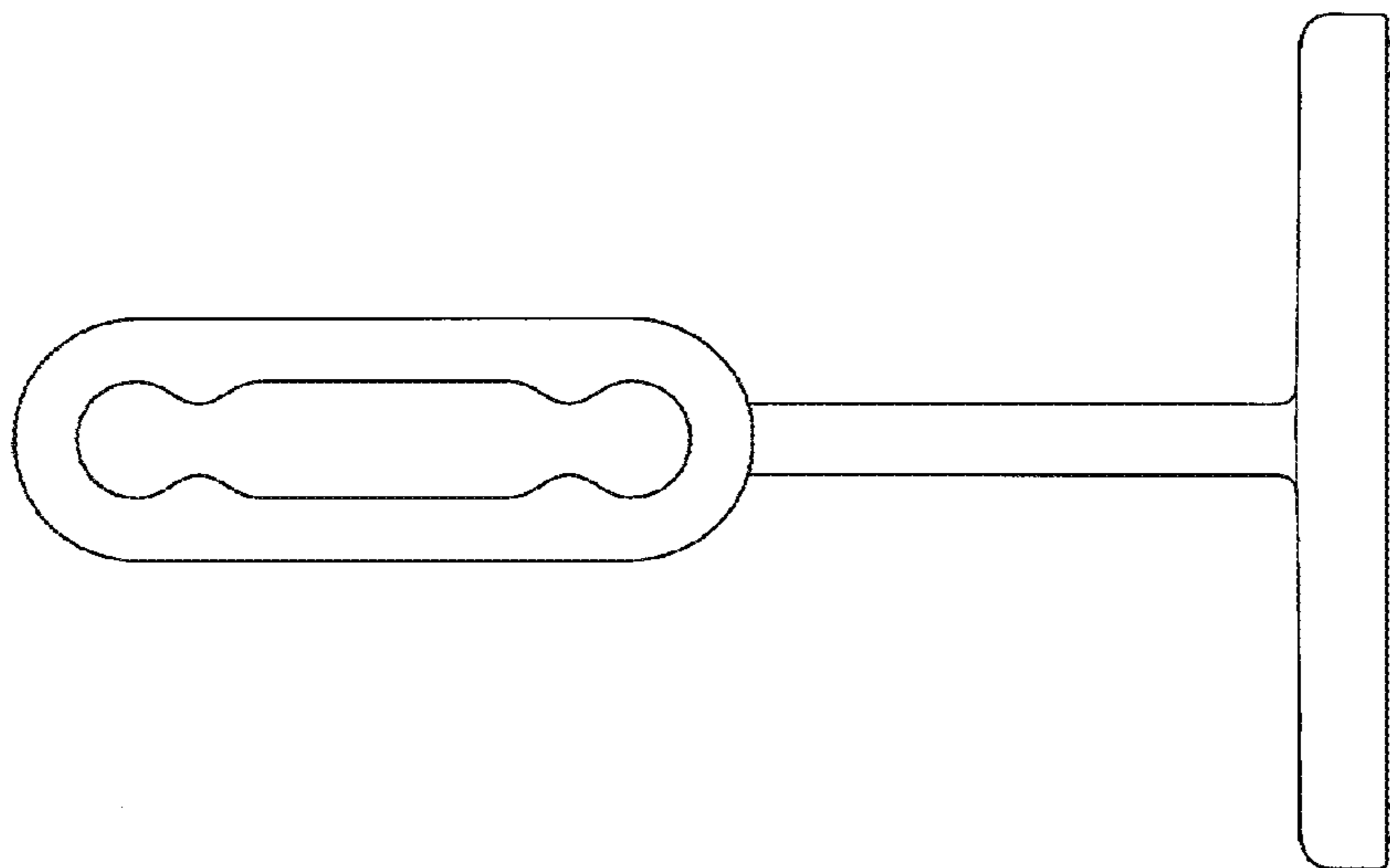


FIG. 10

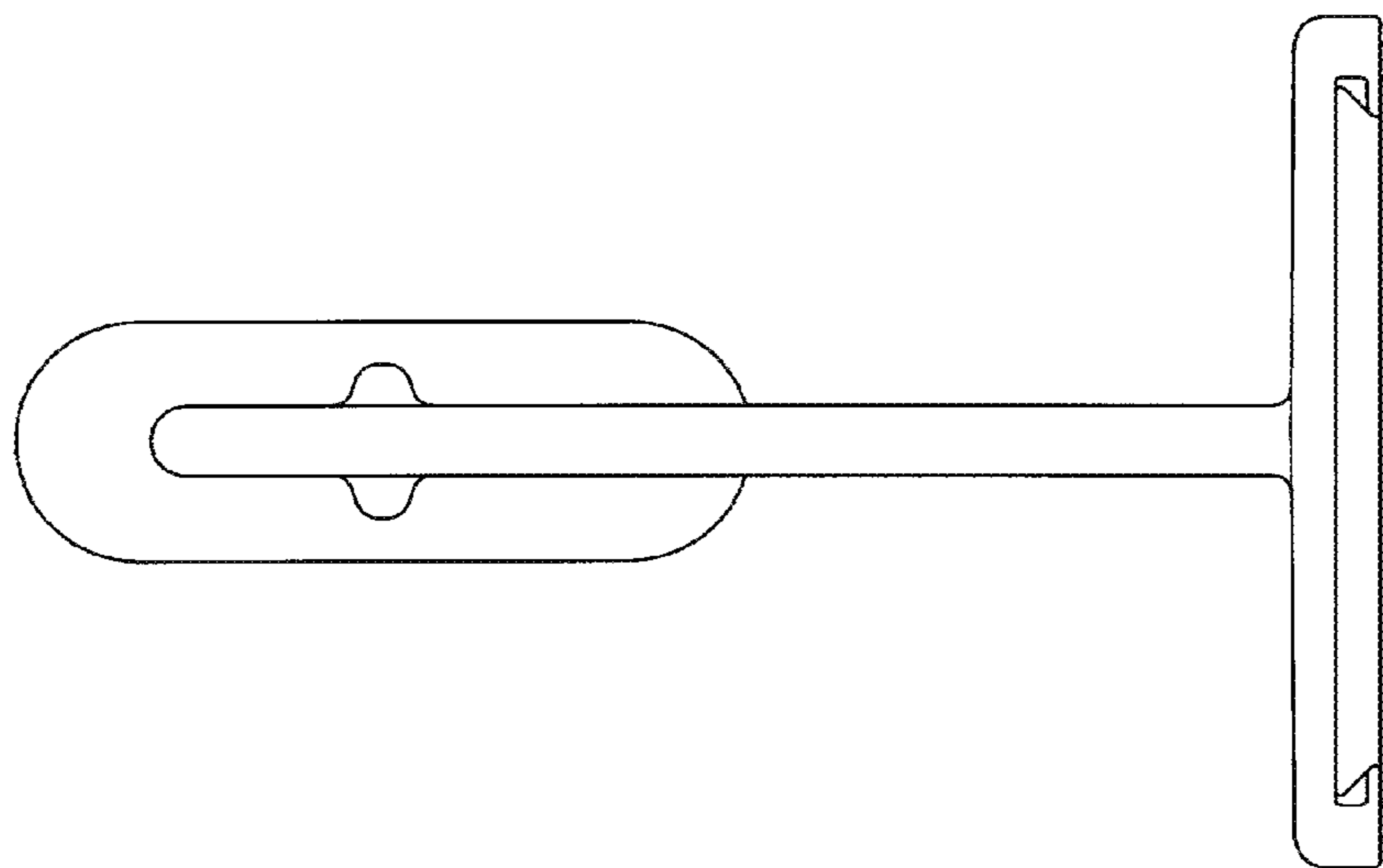


FIG. 9

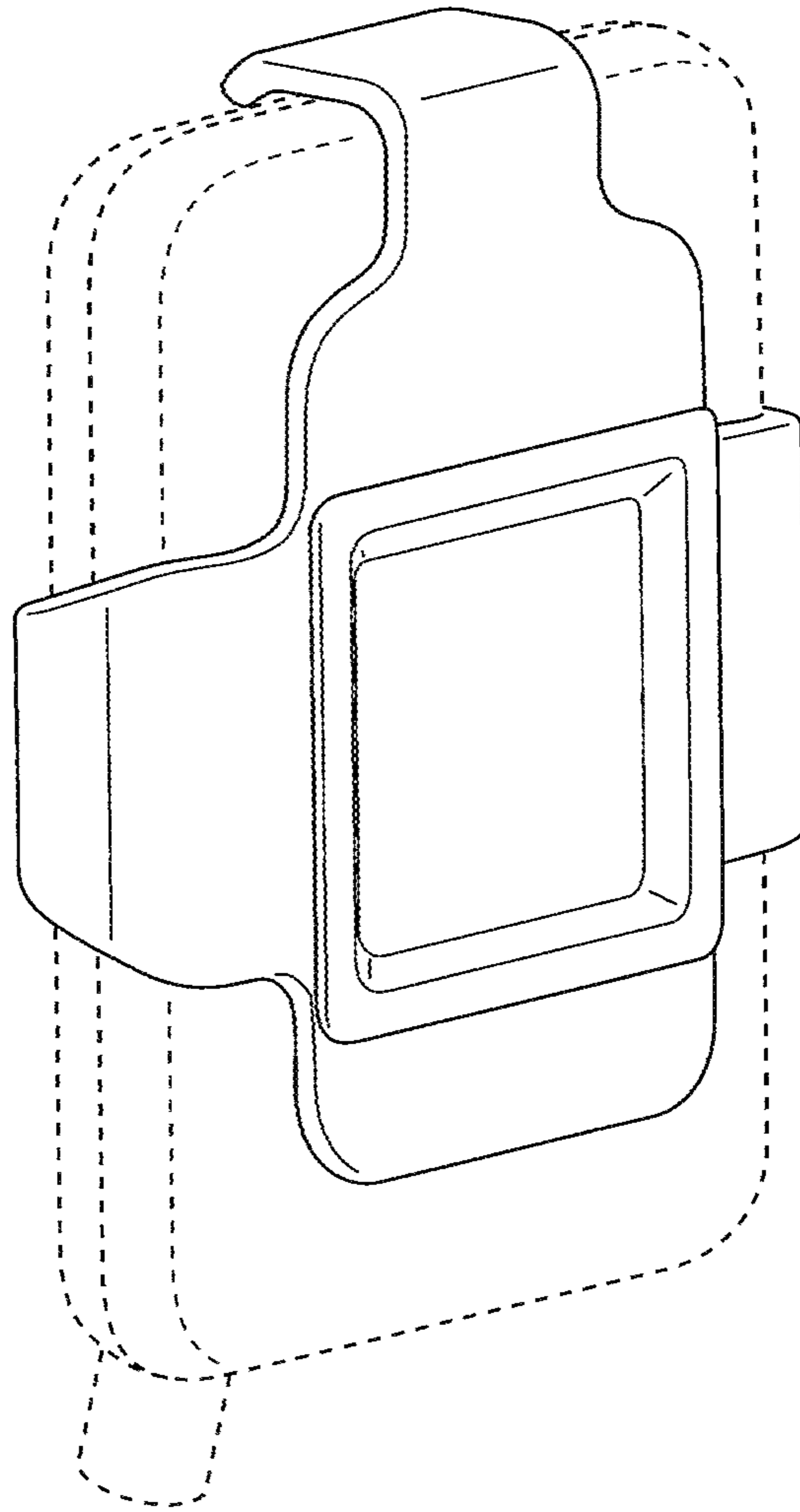


FIG. 11

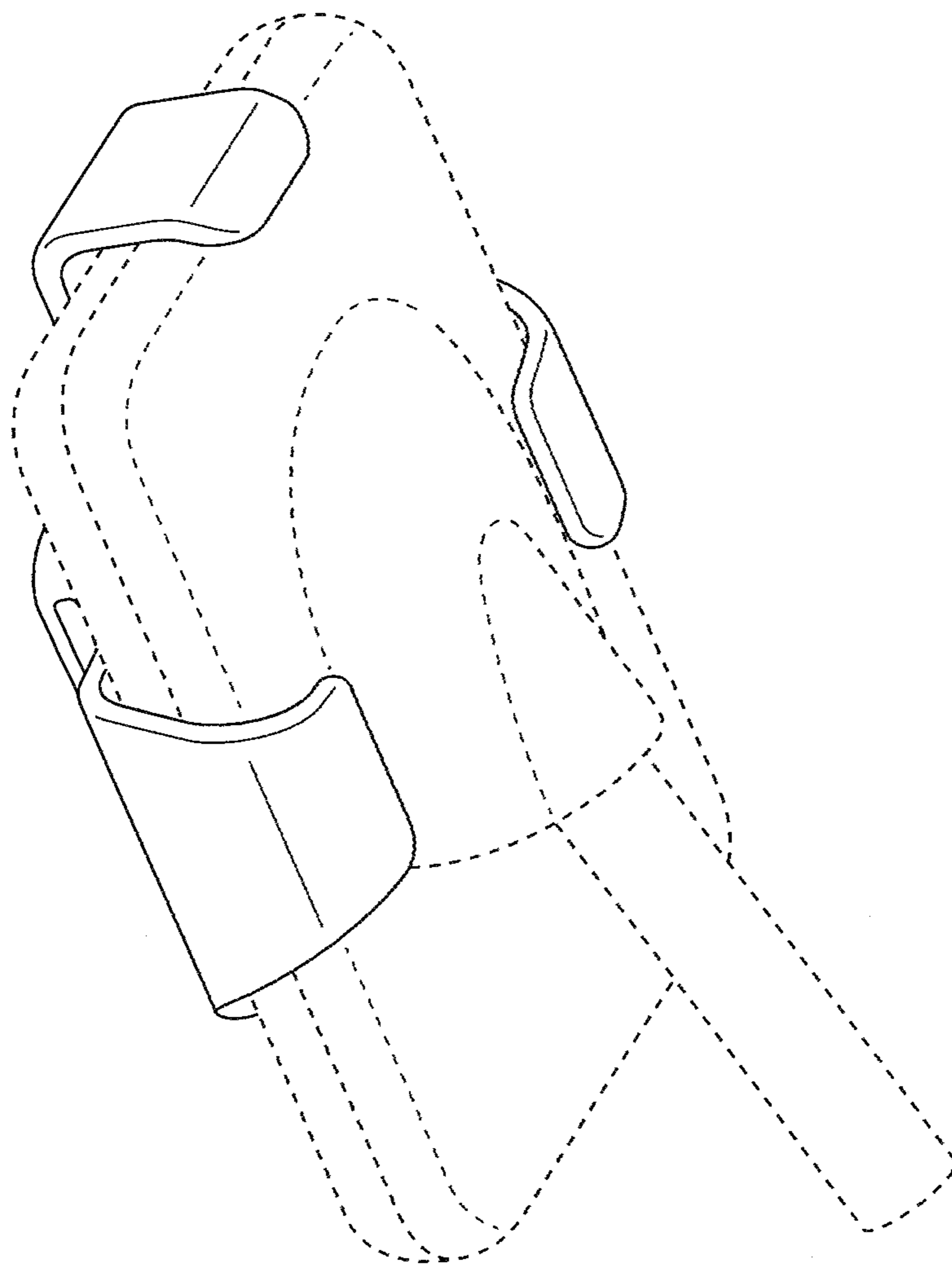


FIG. 12

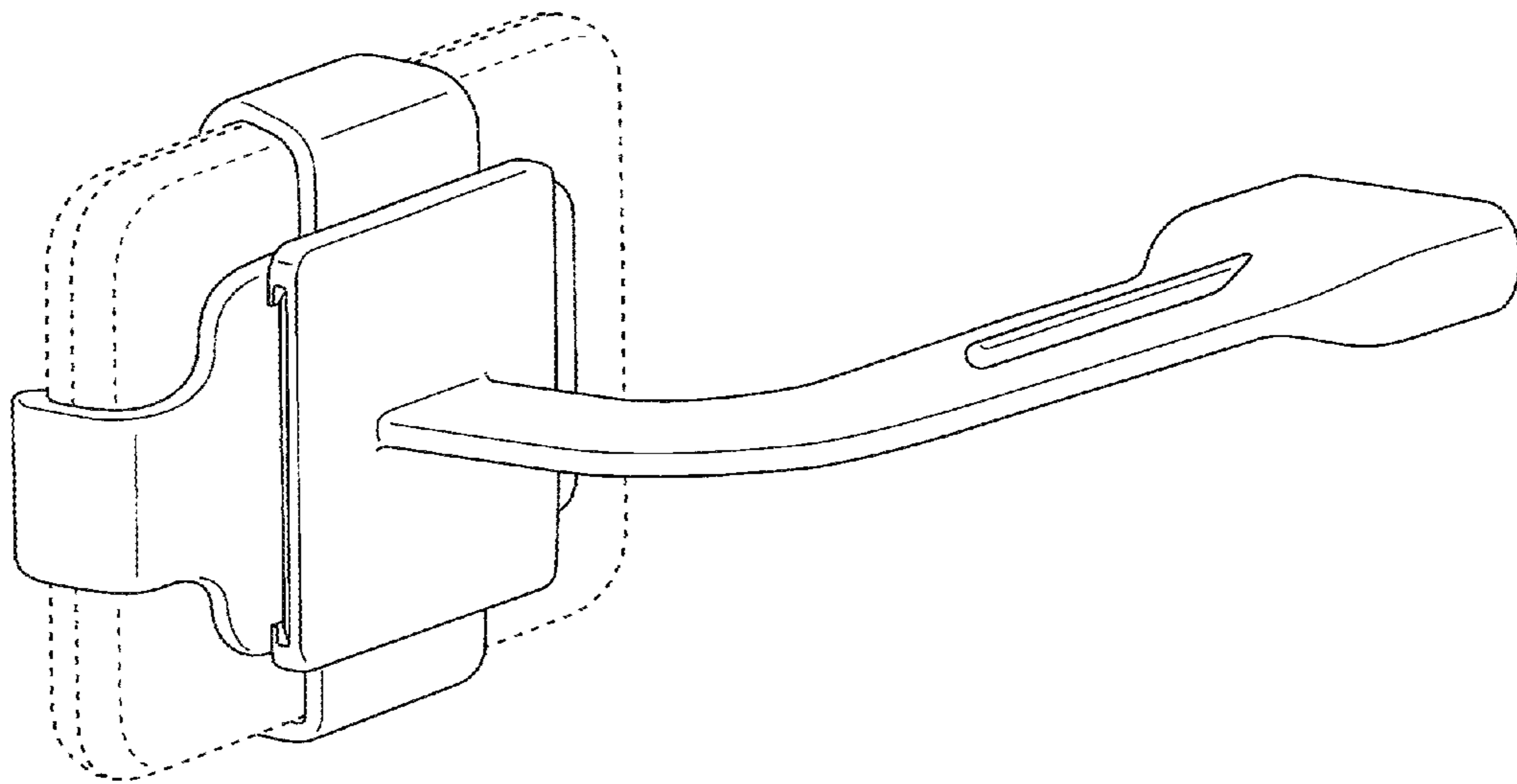


FIG. 13

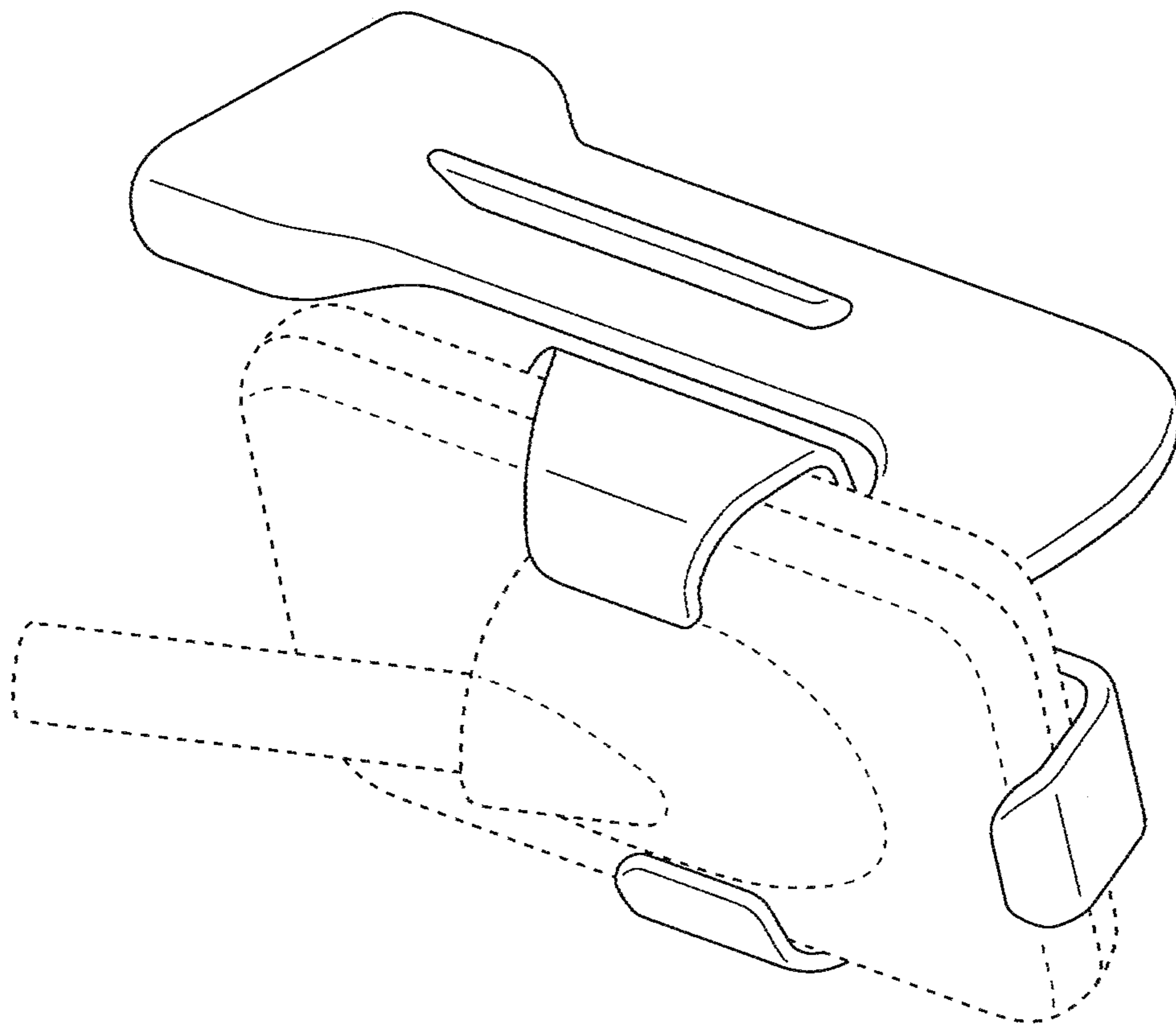


FIG. 14

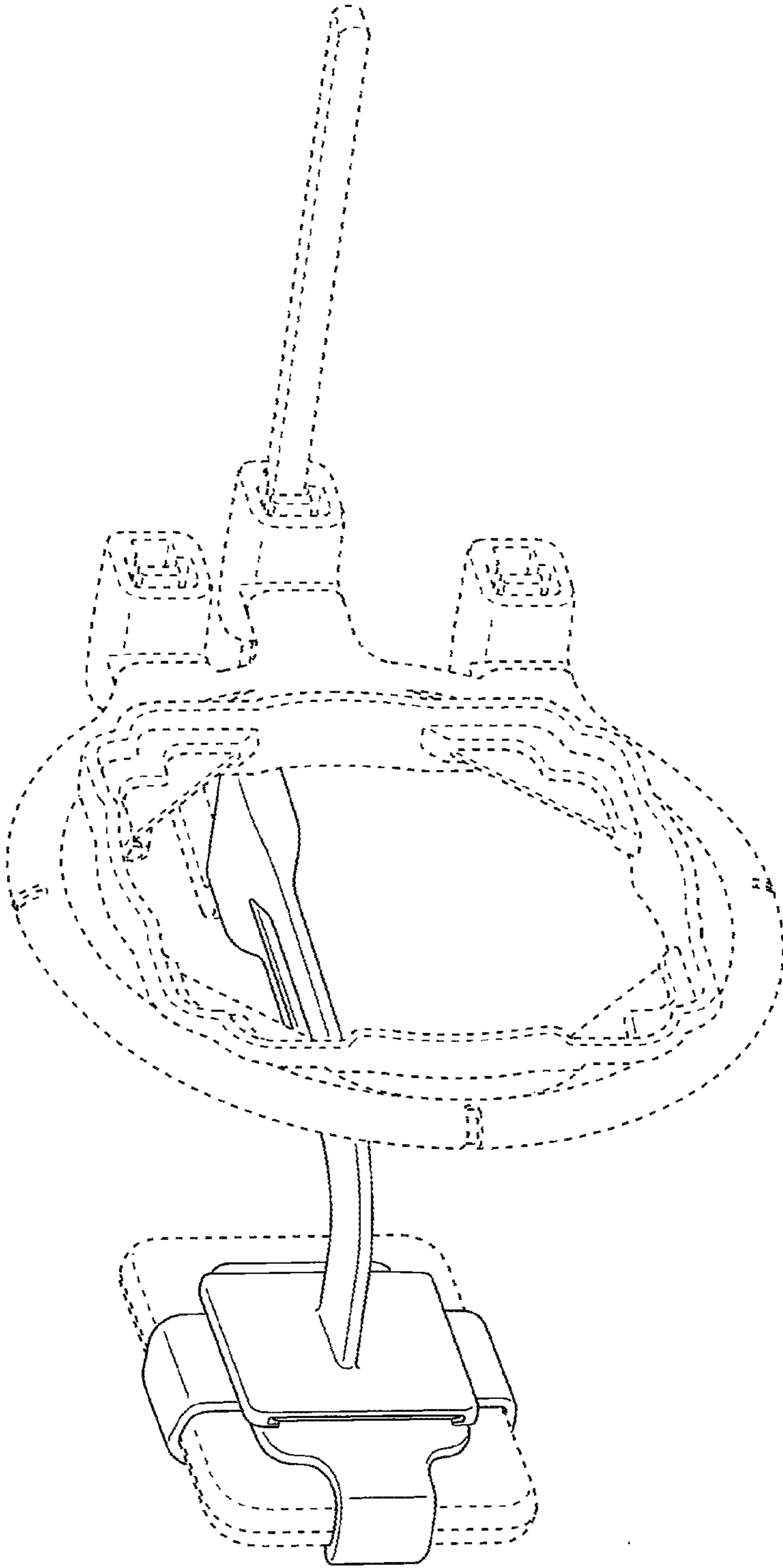


FIG. 15

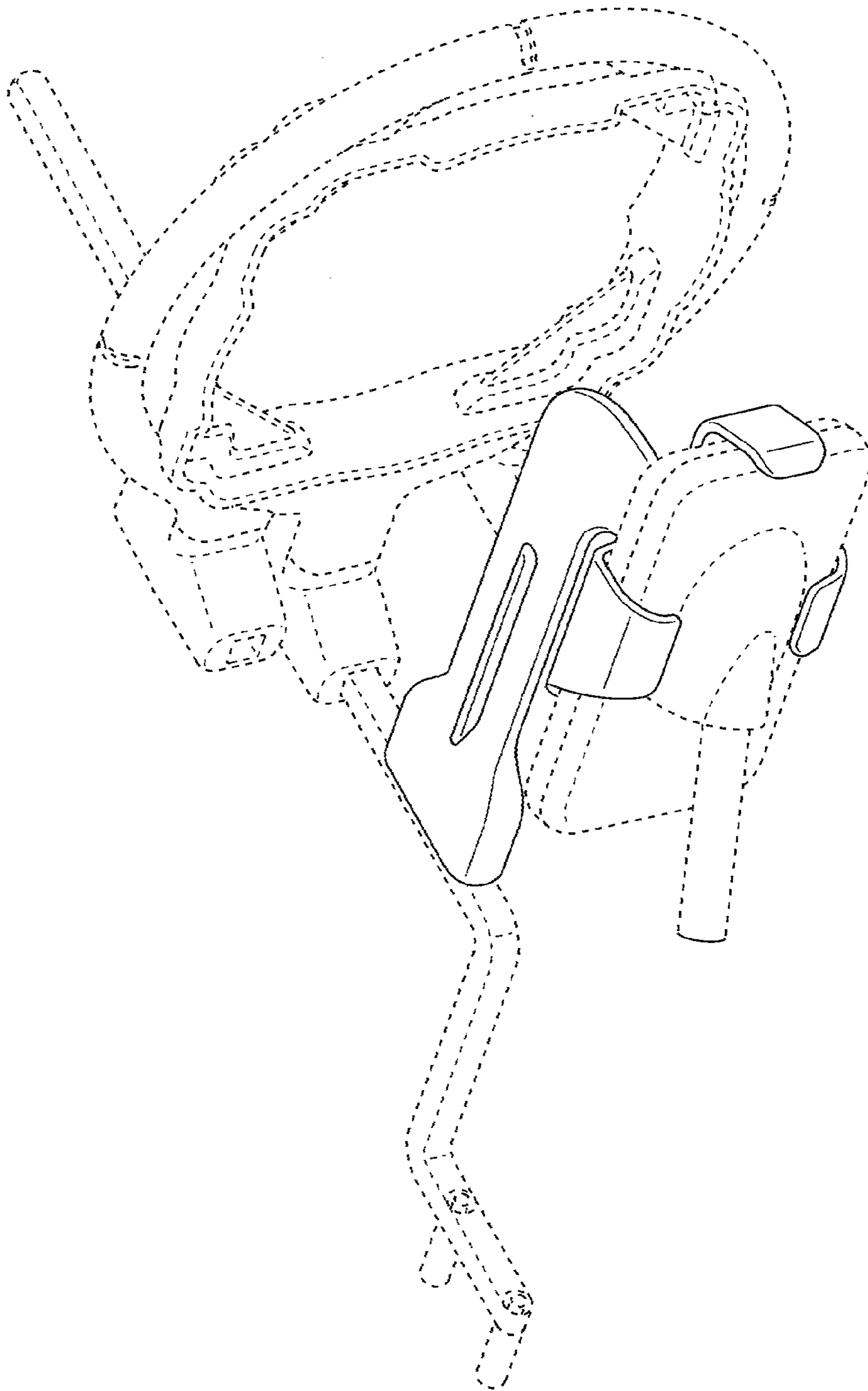


FIG. 16



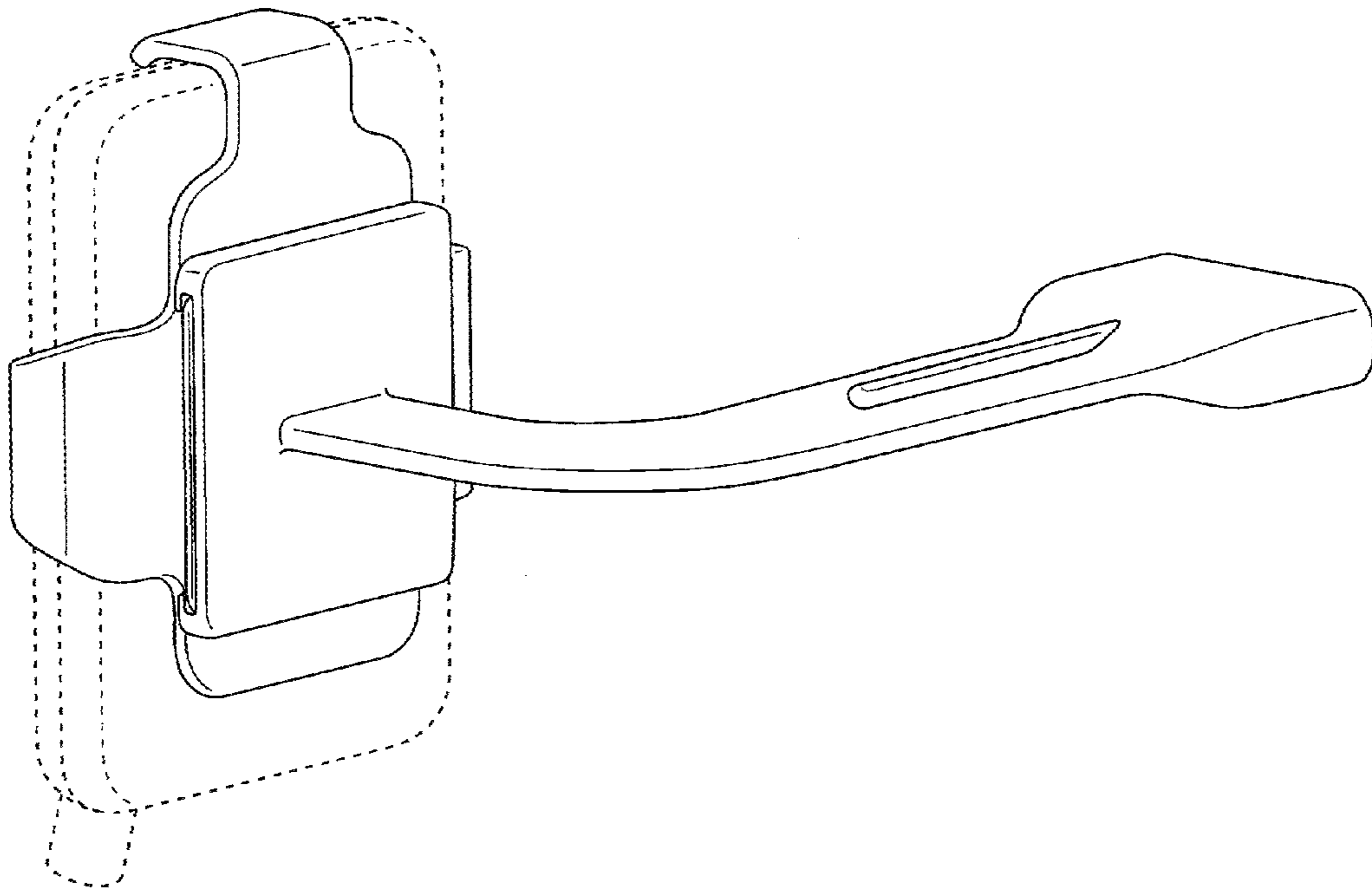


FIG. 17

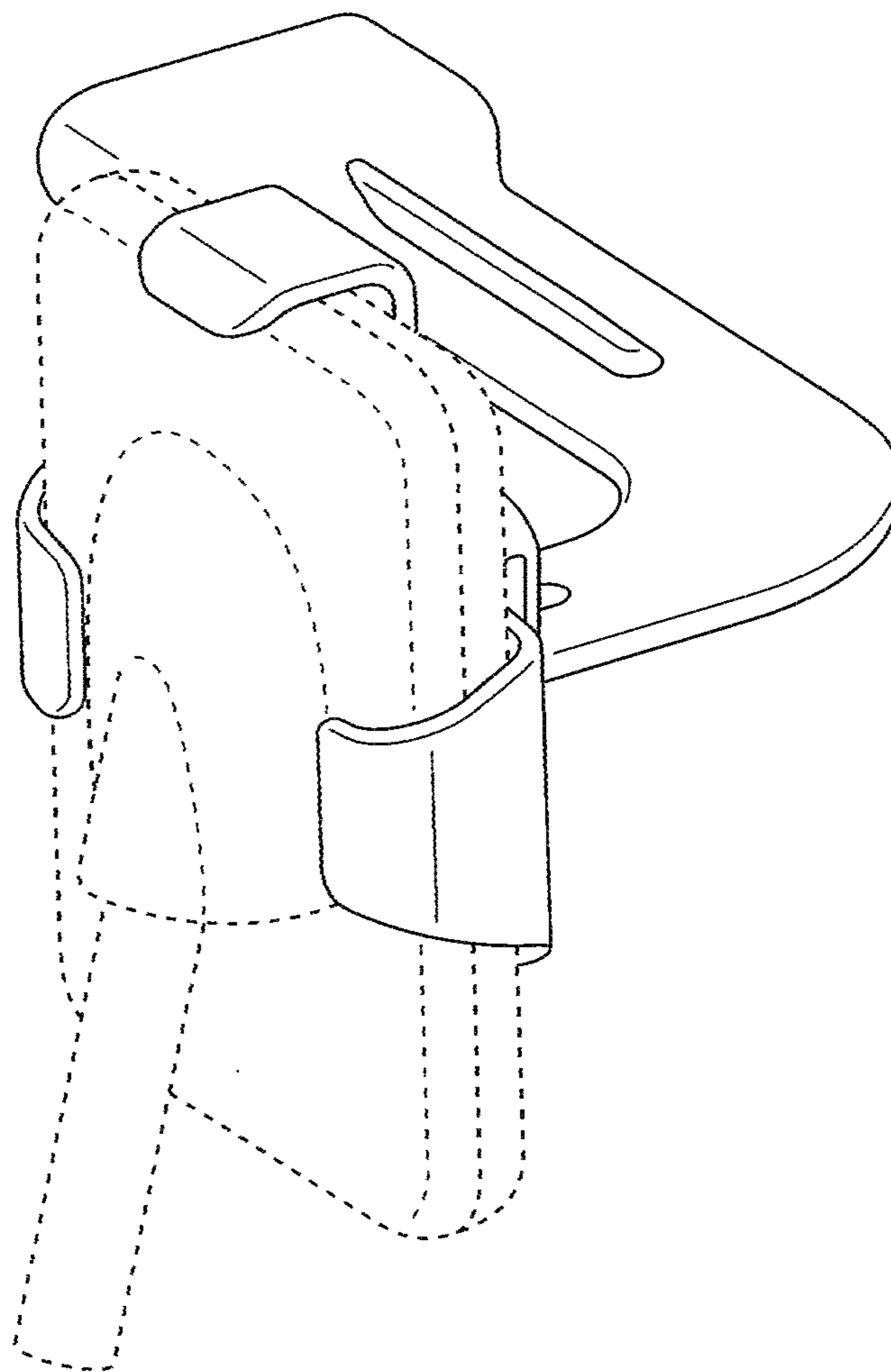


FIG. 18

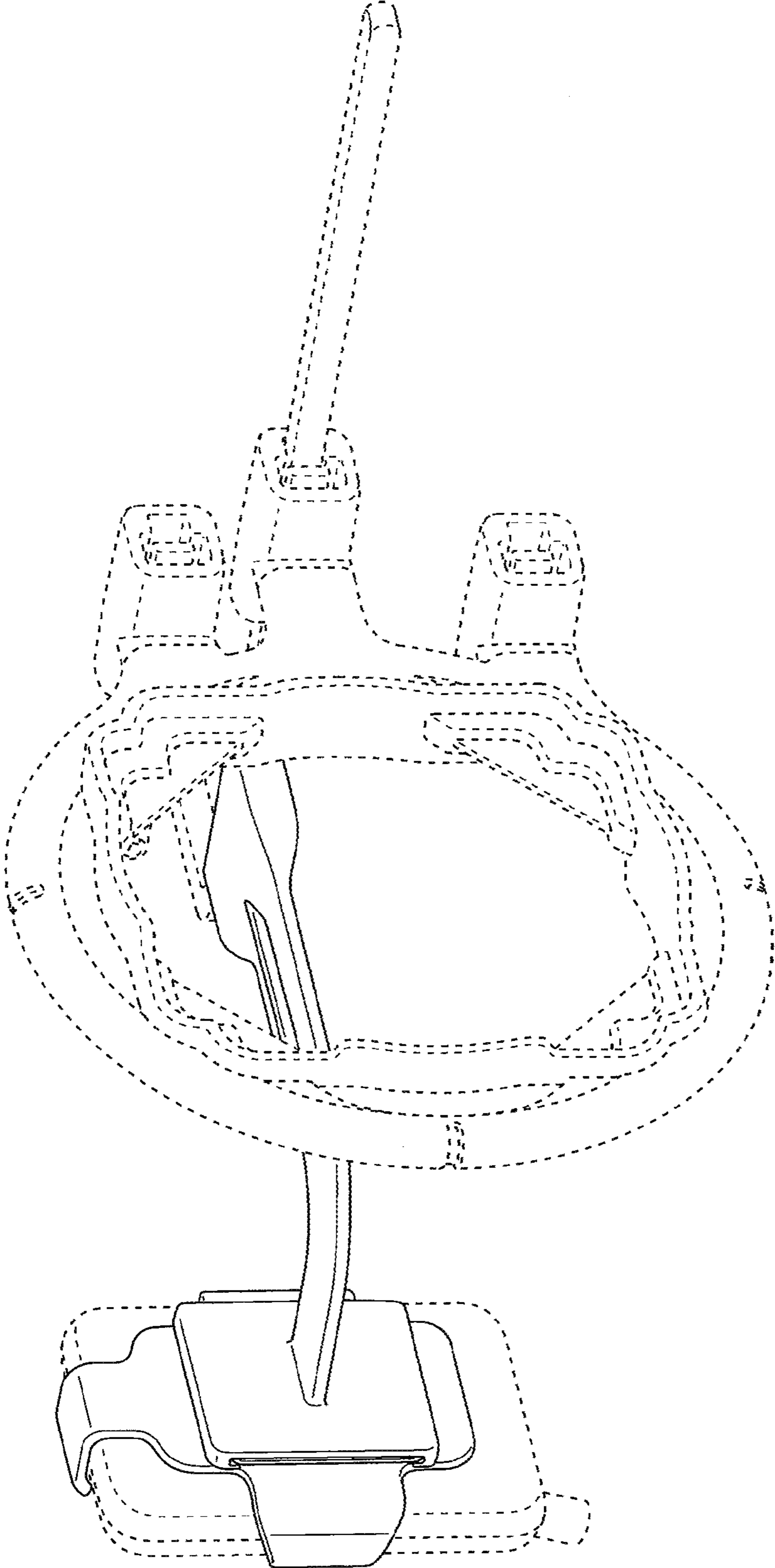


FIG. 19

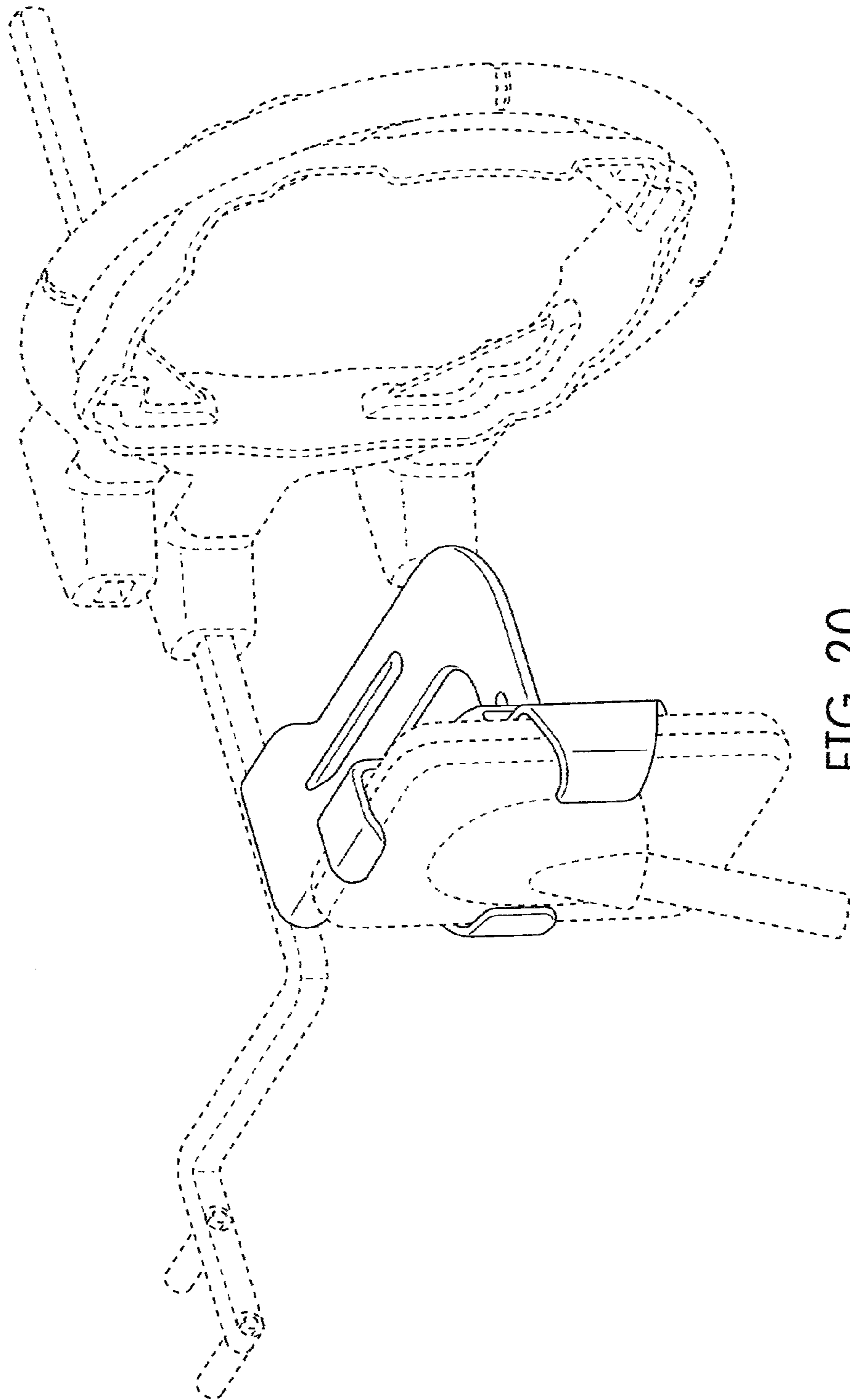


FIG. 20

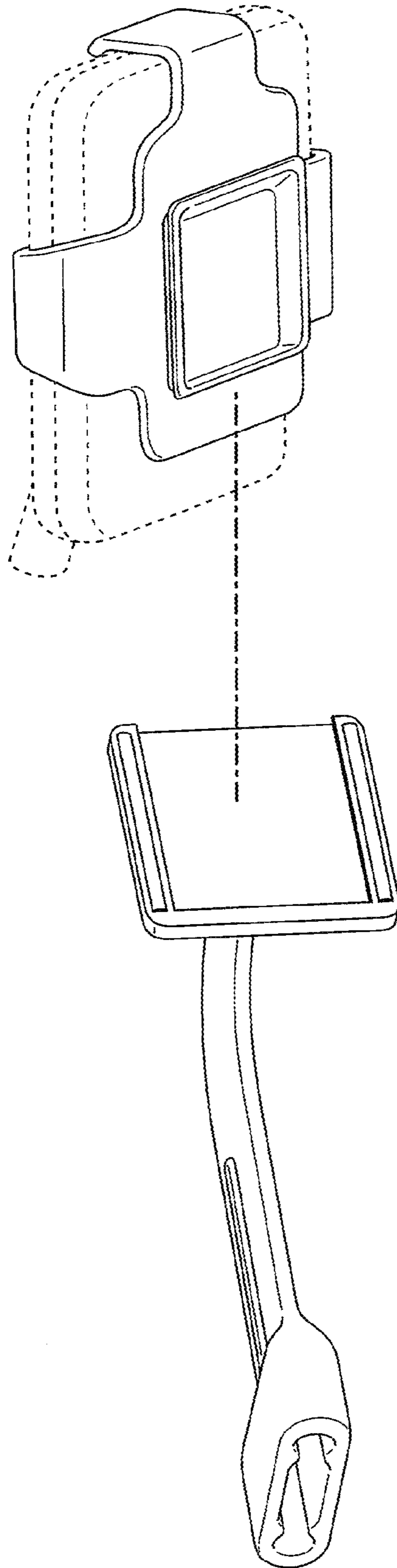


FIG. 21