



US00D762854S

(12) **United States Design Patent**
Efinger et al.

(10) **Patent No.:** **US D762,854 S**
(45) **Date of Patent:** **** Aug. 2, 2016**

(54) **SURGICAL NAVIGATION INSTRUMENT**

(71) Applicant: **KARL STORZ GmbH & Co. KG,**
Tuttlingen (DE)

(72) Inventors: **Andreas Efinger,** Rietheim (DE);
Mathias Stengele, Steisslingen (DE);
Andreas Halbleib, Constance (DE);
Dejan Ilic, Constance (DE)

(73) Assignee: **KARL STORZ GmbH & Co. KG,**
Tuttlingen (DE)

(**) Term: **14 Years**

(21) Appl. No.: **29/520,832**

(22) Filed: **Mar. 18, 2015**

(30) **Foreign Application Priority Data**

Sep. 19, 2014 (EM) 002541557-0001

(51) **LOC (10) Cl.** **24-02**

(52) **U.S. Cl.**
USPC **D24/144**

(58) **Field of Classification Search**
USPC D24/108, 112, 117, 118, 133, 135, 137,
D24/138, 222, 141, 111, 113, 127, 143, 144,
D24/148, 179, 216, 152, 153, 154, 176,
D24/170; D8/30
CPC A61B 18/1445; A61B 18/1402; A61B
18/14; A61B 2018/147; A61C 1/14
See application file for complete search history.

(56) **References Cited**

U.S. PATENT DOCUMENTS

D216,286 S * 12/1969 Valeska D24/144
D271,419 S * 11/1983 Hoff D24/144
D288,359 S * 2/1987 Hoff D24/144

5,571,101 A * 11/1996 Ellman A61B 18/1485
606/45
D377,524 S * 1/1997 Lipp D24/130
6,926,728 B2 * 8/2005 Zucherman A61M 29/00
606/190
D605,759 S * 12/2009 Cuevas D24/133
D629,896 S * 12/2010 Horton D24/133
D631,962 S * 2/2011 Dorman D24/135
D642,680 S * 8/2011 Brucker D24/133
D658,288 S * 4/2012 Ryshkus D24/135
2013/0006236 A1 * 1/2013 Greep A61B 18/1477
606/34

* cited by examiner

Primary Examiner — Robert M Spear

Assistant Examiner — Eliza Bennett-Hattan

(74) *Attorney, Agent, or Firm* — Muncy, Geissler, Olds &
Lowe, P.C.

(57) **CLAIM**

The ornamental design for a surgical navigation instrument,
as shown and described.

DESCRIPTION

FIG. 1 is a perspective view of a surgical navigation instru-
ment according to the present invention.

FIG. 2 is a front view of the surgical navigation instrument of
FIG. 1.

FIG. 3 is a rear view of the surgical navigation instrument of
FIG. 1.

FIG. 4 is a right view of the surgical navigation instrument of
FIG. 1.

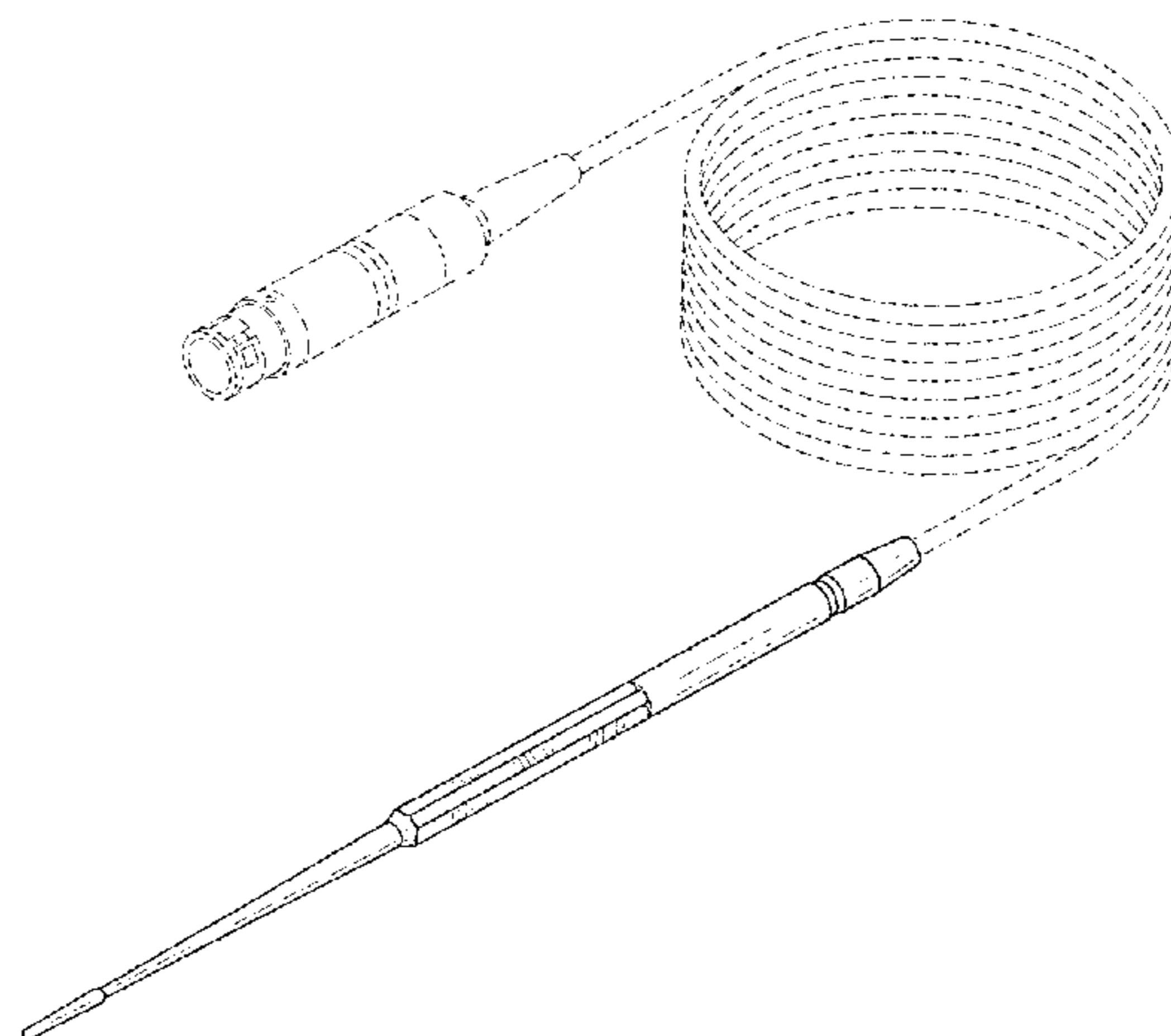
FIG. 5 is a left view of the surgical navigation instrument of
FIG. 1.

FIG. 6 is a top view of the surgical navigation instrument of
FIG. 1; and,

FIG. 7 is a bottom view of the surgical navigation instrument
of FIG. 1.

The dashed lines illustrate environment that does not form a
part of the present invention, and no claim is made to the
material illustrated with dashed lines.

1 Claim, 6 Drawing Sheets



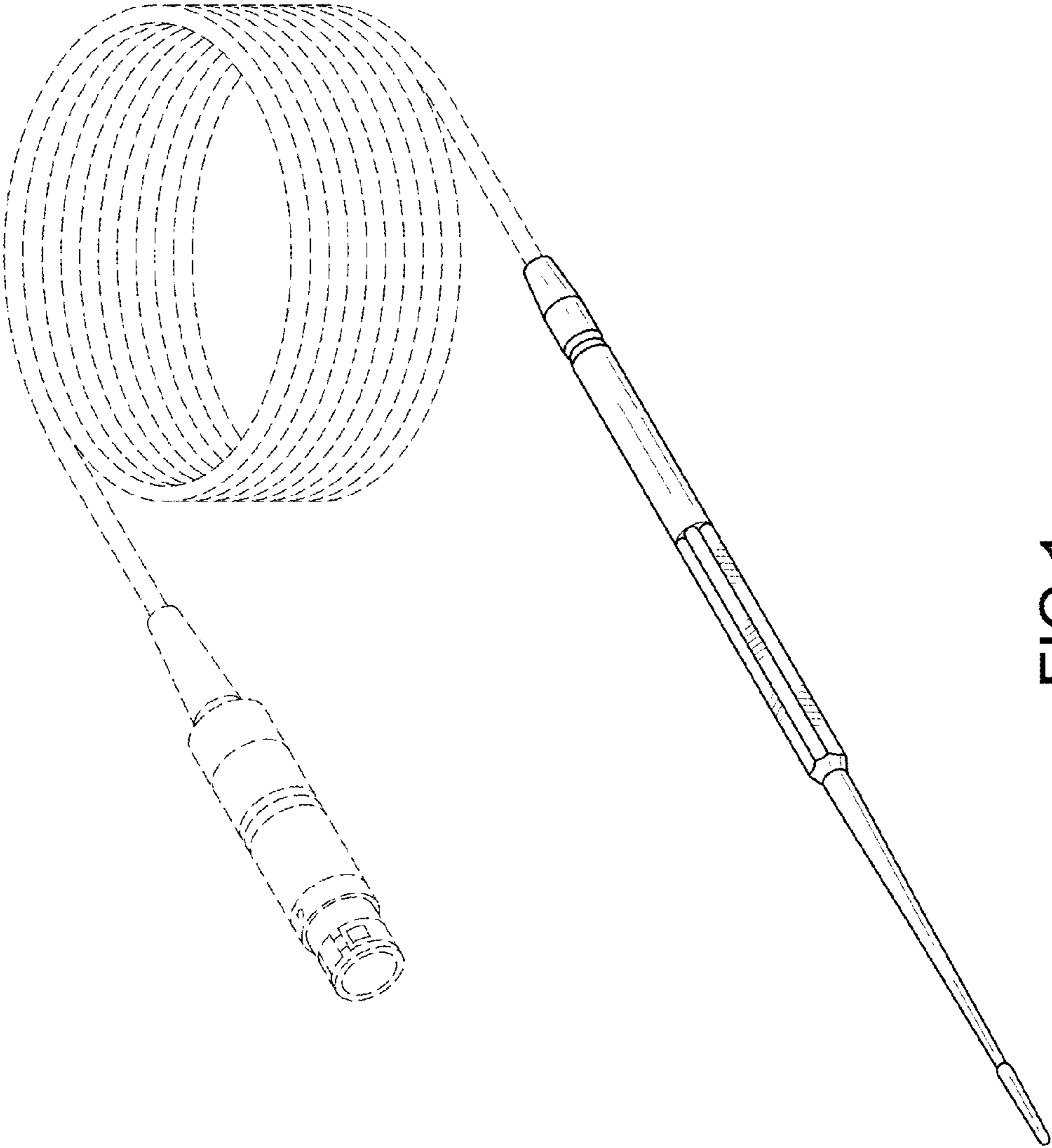


FIG.1

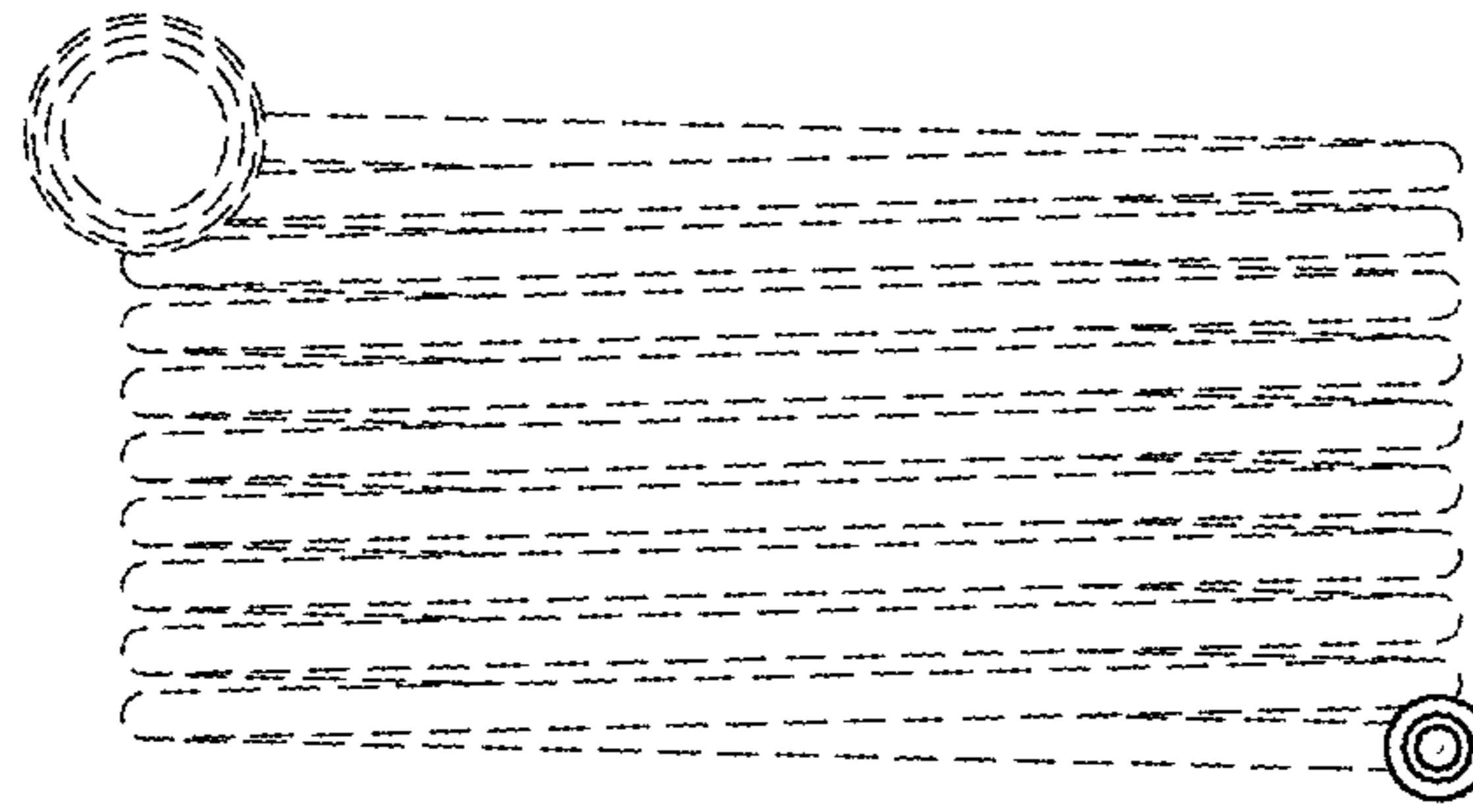


FIG. 2

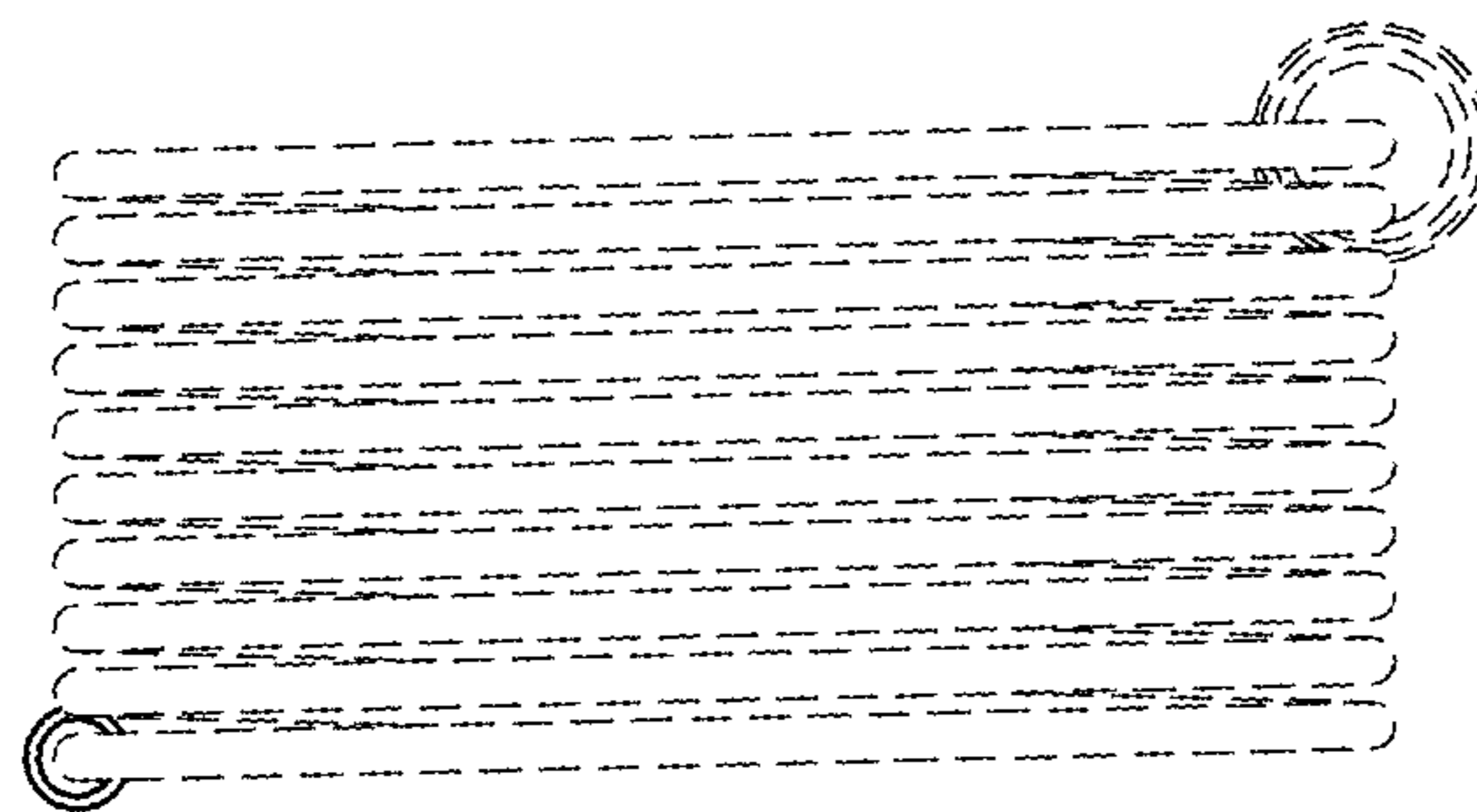


FIG. 3

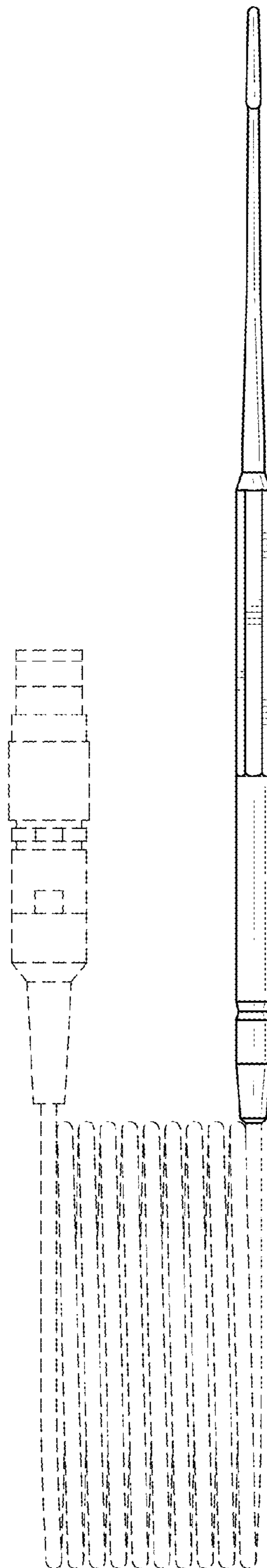


FIG.4

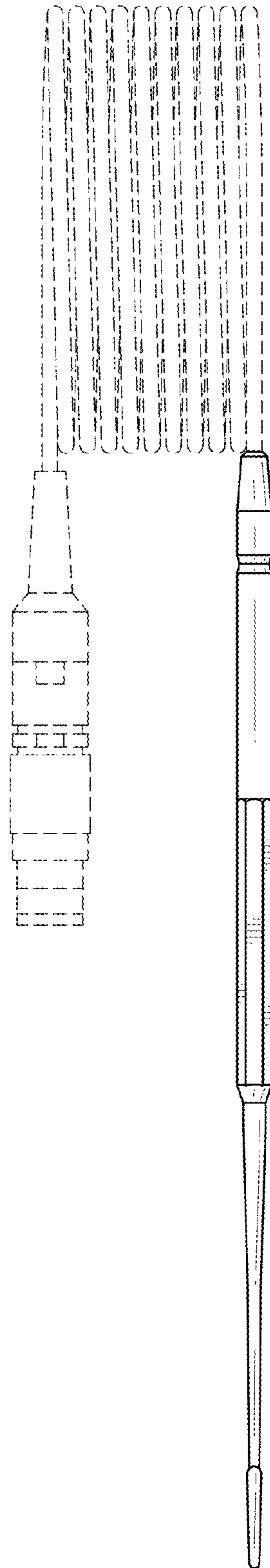


FIG.5

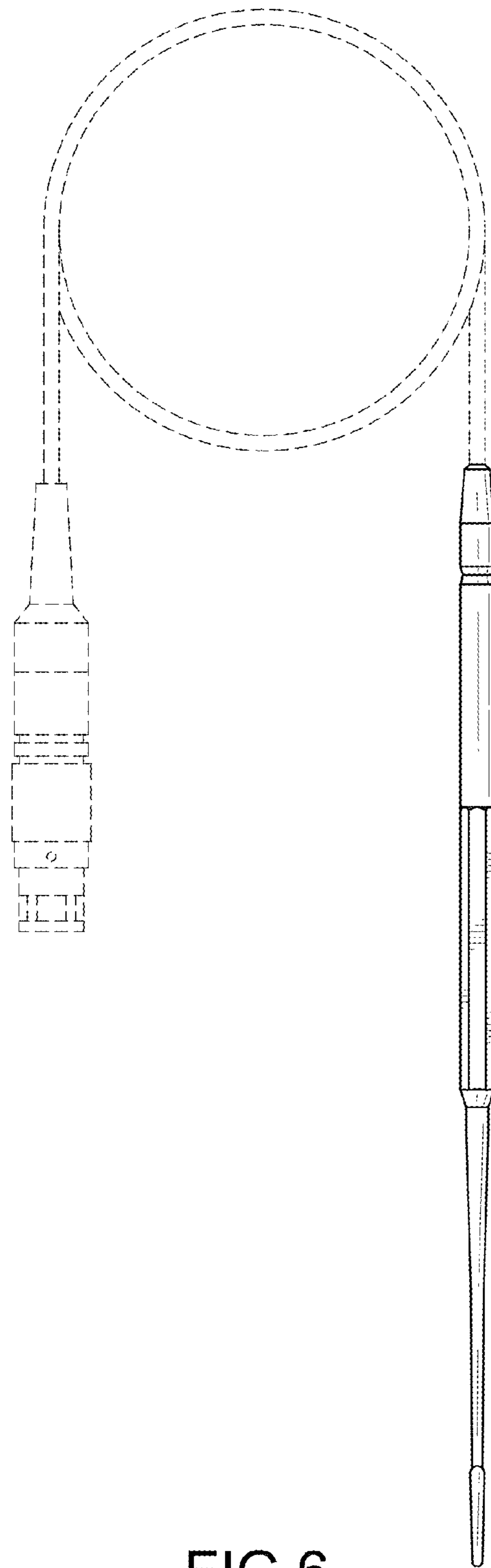


FIG.6

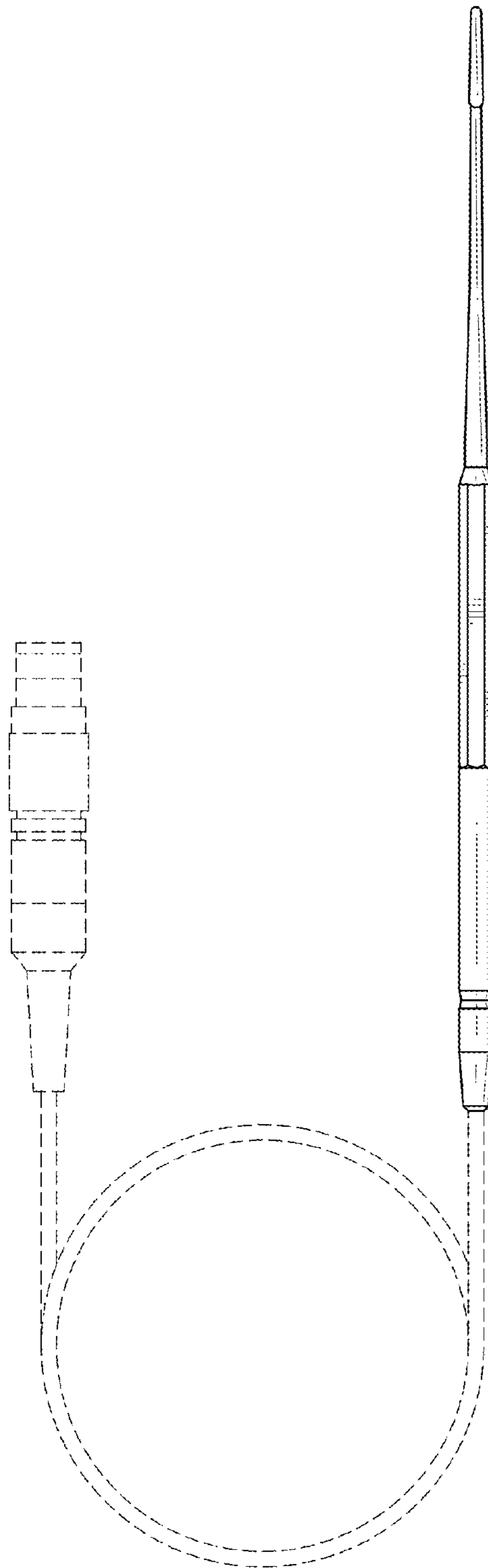


FIG.7