

US00D762853S

(12) **United States Design Patent**
Amano

(10) **Patent No.:** **US D762,853 S**
(45) **Date of Patent:** **** Aug. 2, 2016**

(54) **INDUSTRIAL ENDOSCOPE**

(71) Applicant: **OLYMPUS CORPORATION**,
Shibuya-ku, Tokyo (JP)
(72) Inventor: **Hirotohi Amano**, Hachioji (JP)
(73) Assignee: **OLYMPUS CORPORATION**, Tokyo
(JP)

(**) Term: **14 Years**

(21) Appl. No.: **29/514,167**

(22) Filed: **Jan. 8, 2015**

(30) **Foreign Application Priority Data**

Aug. 29, 2014 (JP) 2014-019084

(51) **LOC (10) Cl.** **24-02**

(52) **U.S. Cl.**
USPC **D24/138**

(58) **Field of Classification Search**
USPC D24/138, 133, 137; 600/109, 110, 117,
600/131, 132, 136, 137, 138, 139, 129, 146,
600/158, 160, 163, 167, 197
CPC A61B 1/00039; A61B 1/00052; A61B
1/0005; A61B 1/00; A61B 1/00066; G02B
23/2484; G02B 23/24

See application file for complete search history.

(56) **References Cited**

U.S. PATENT DOCUMENTS

8,182,416 B1 * 5/2012 Hosaka A61B 1/00052
600/131
D671,213 S * 11/2012 Funakoshi D24/138
D671,214 S * 11/2012 Funakoshi D24/138
8,801,605 B2 * 8/2014 Inada A61B 1/00039
600/139
8,821,379 B2 * 9/2014 Motoki A61B 1/00039
600/109
2013/0079594 A1 * 3/2013 Motoki A61B 1/00039
600/109

* cited by examiner

Primary Examiner — Wan Laymon
Assistant Examiner — Mark Booker

(74) *Attorney, Agent, or Firm* — Holtz, Holtz & Volek PC

(57) **CLAIM**

The ornamental design for an industrial endoscope, as shown.

DESCRIPTION

FIG. 1 is a front, top and right side perspective view of an industrial endoscope showing my new design;
FIG. 2 is a front elevational view thereof;
FIG. 3 is a rear elevational view thereof;
FIG. 4 is a top plan view thereof;
FIG. 5 is a bottom plan view thereof;
FIG. 6 is a right side elevational view thereof; and,
FIG. 7 is a left side elevational view thereof.

The broken away symbols in the drawings indicate that any portion of the article beyond what is shown forms no part of the claimed design.

The portions of the industrial endoscope in broken lines are shown for illustrative purposes only and form no part of the claimed design.

1 Claim, 7 Drawing Sheets

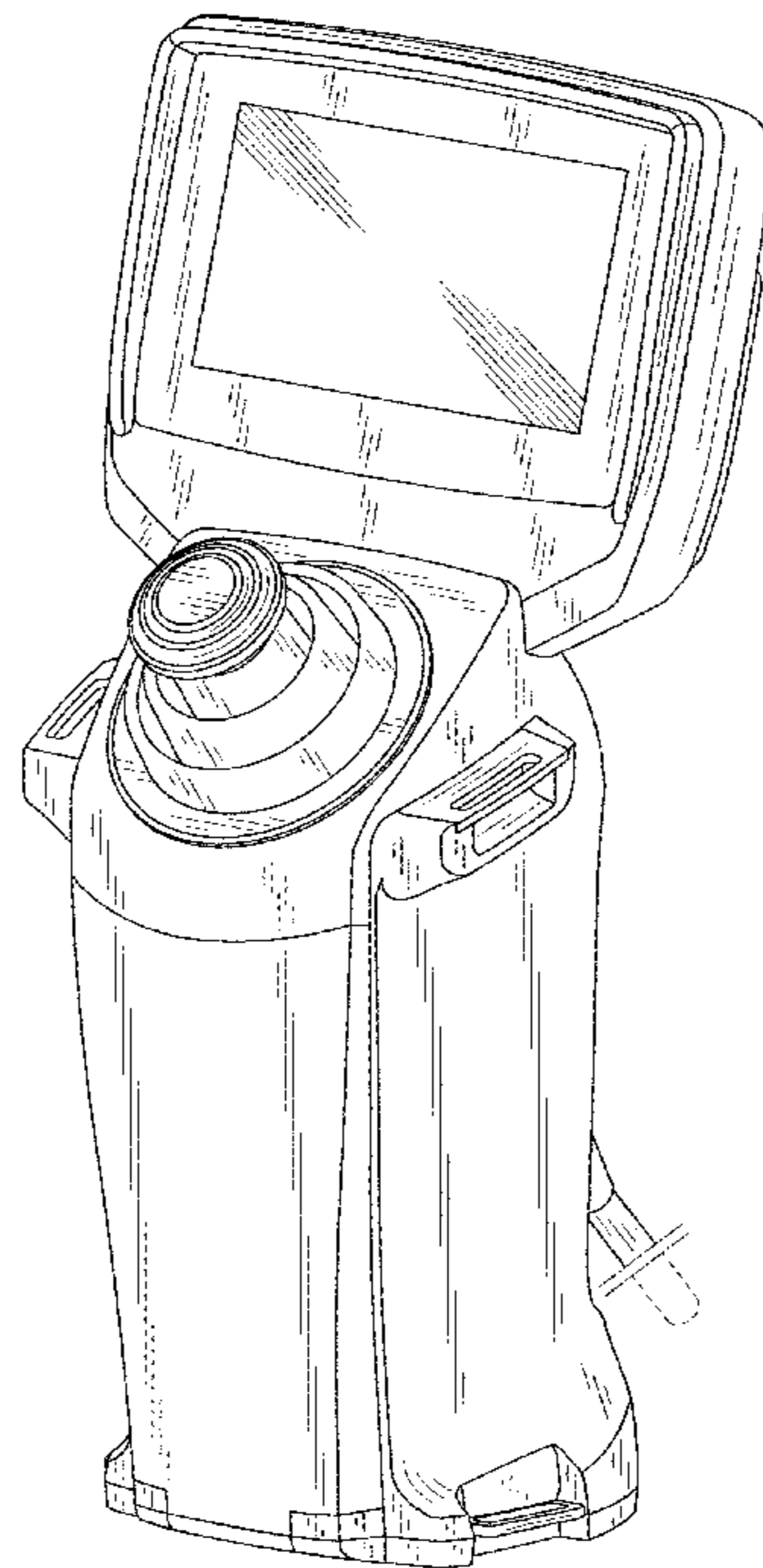


FIG. 1

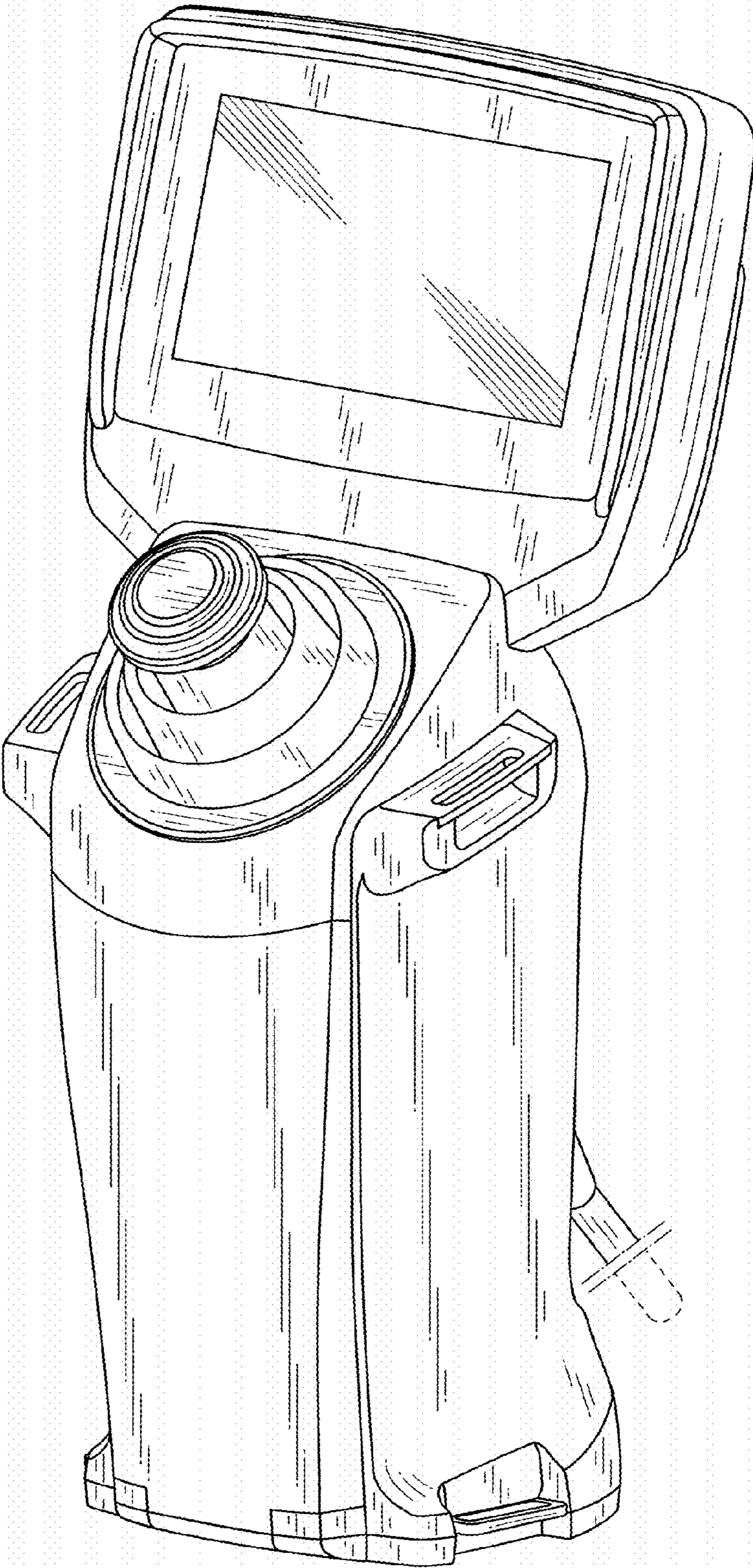


FIG.2

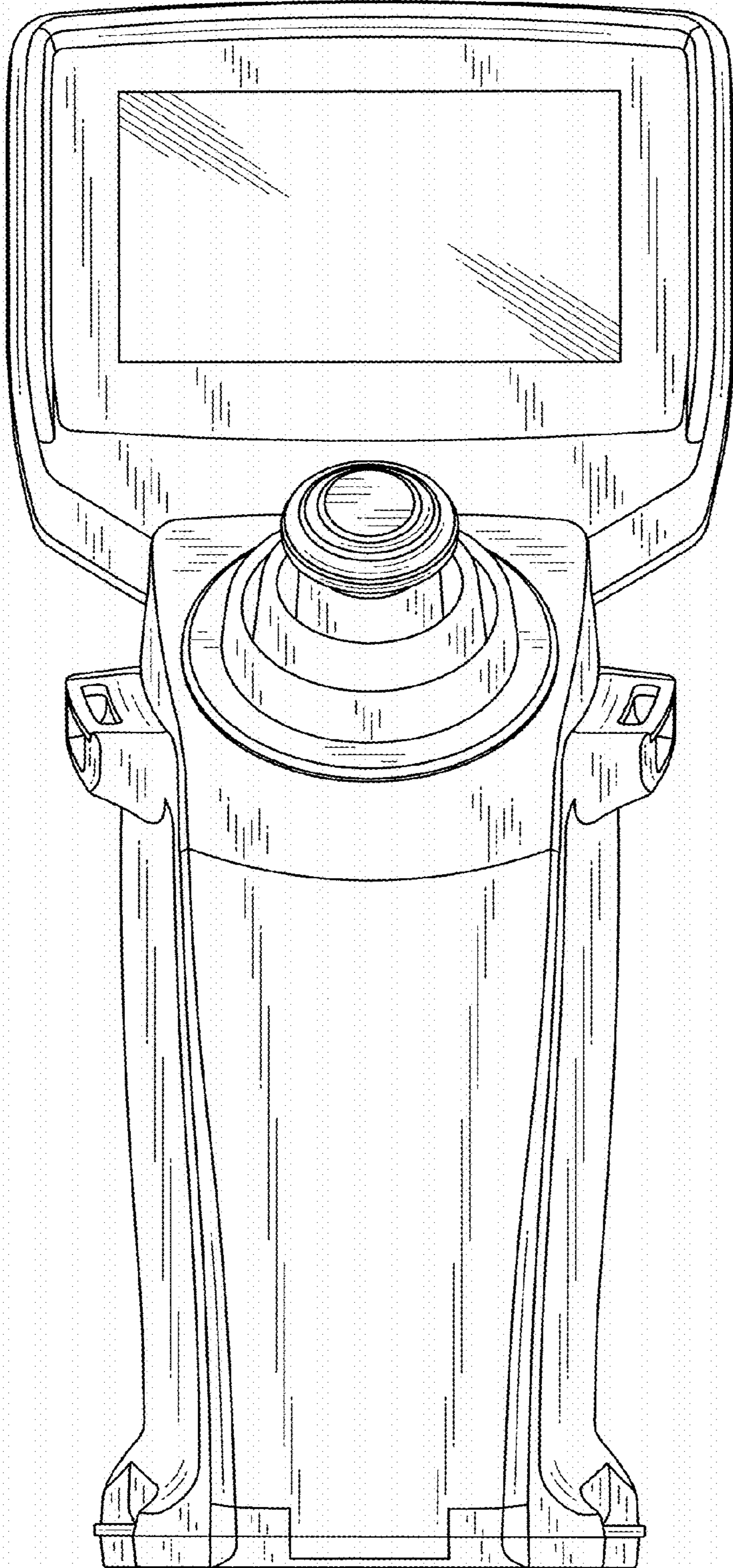


FIG.3

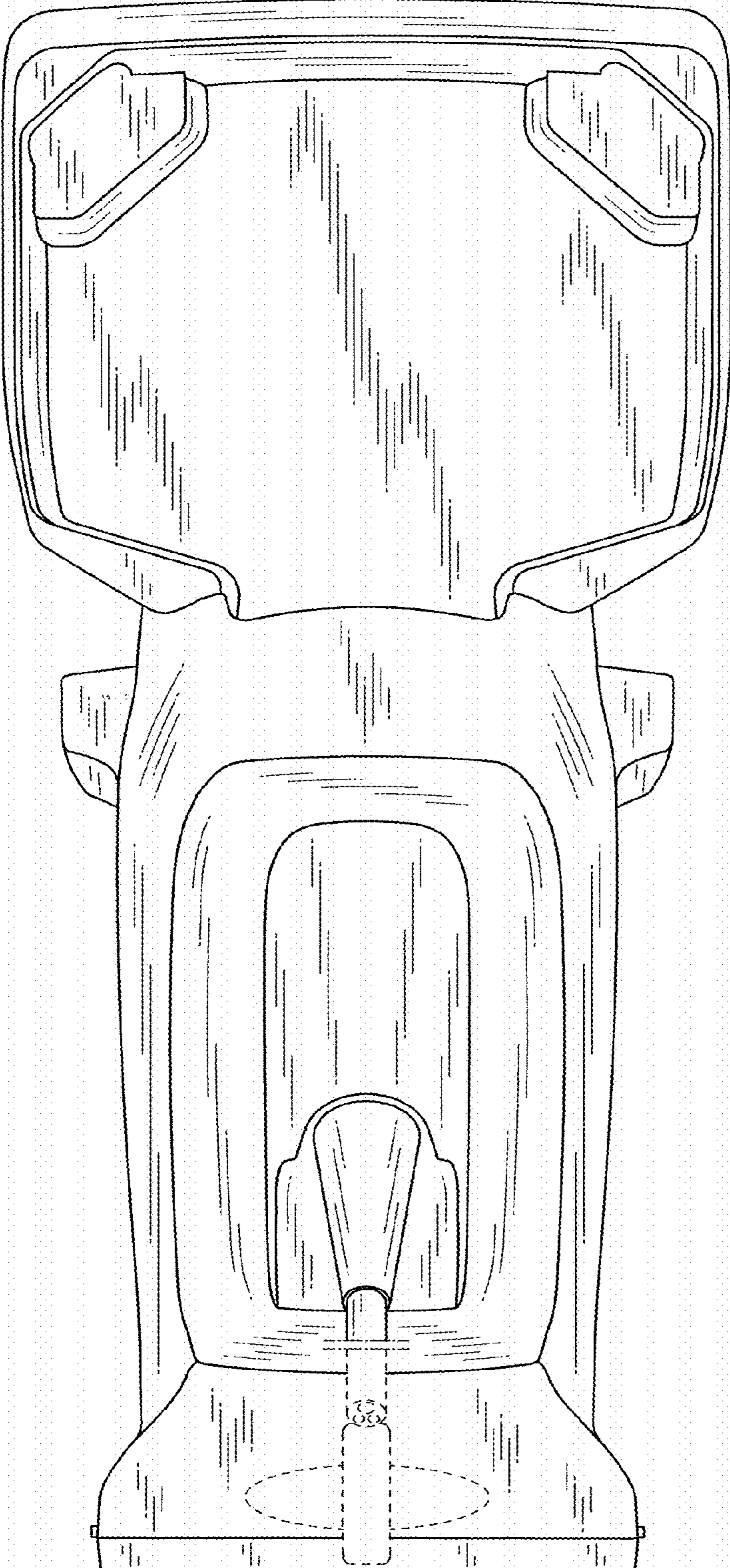


FIG.4

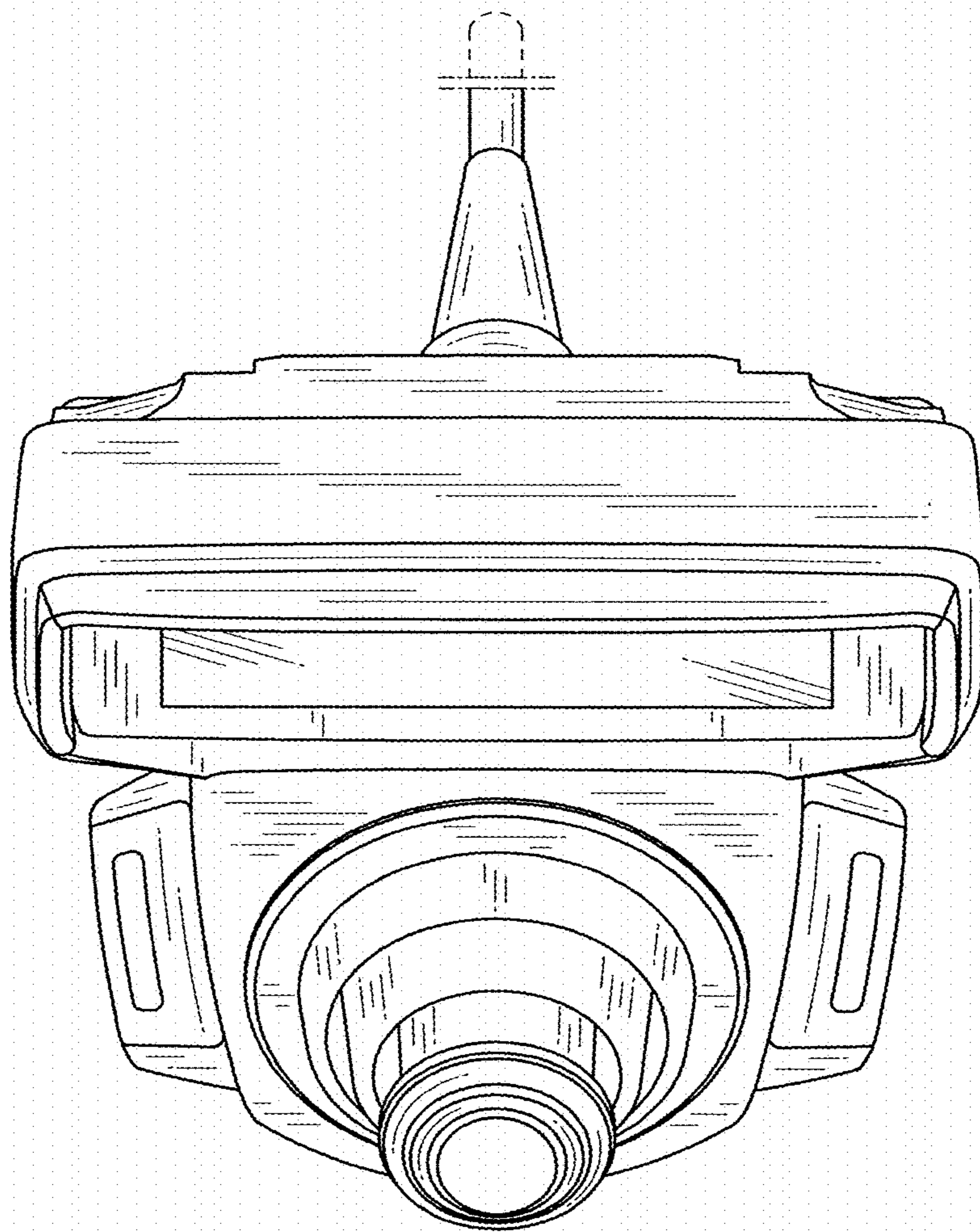


FIG. 5

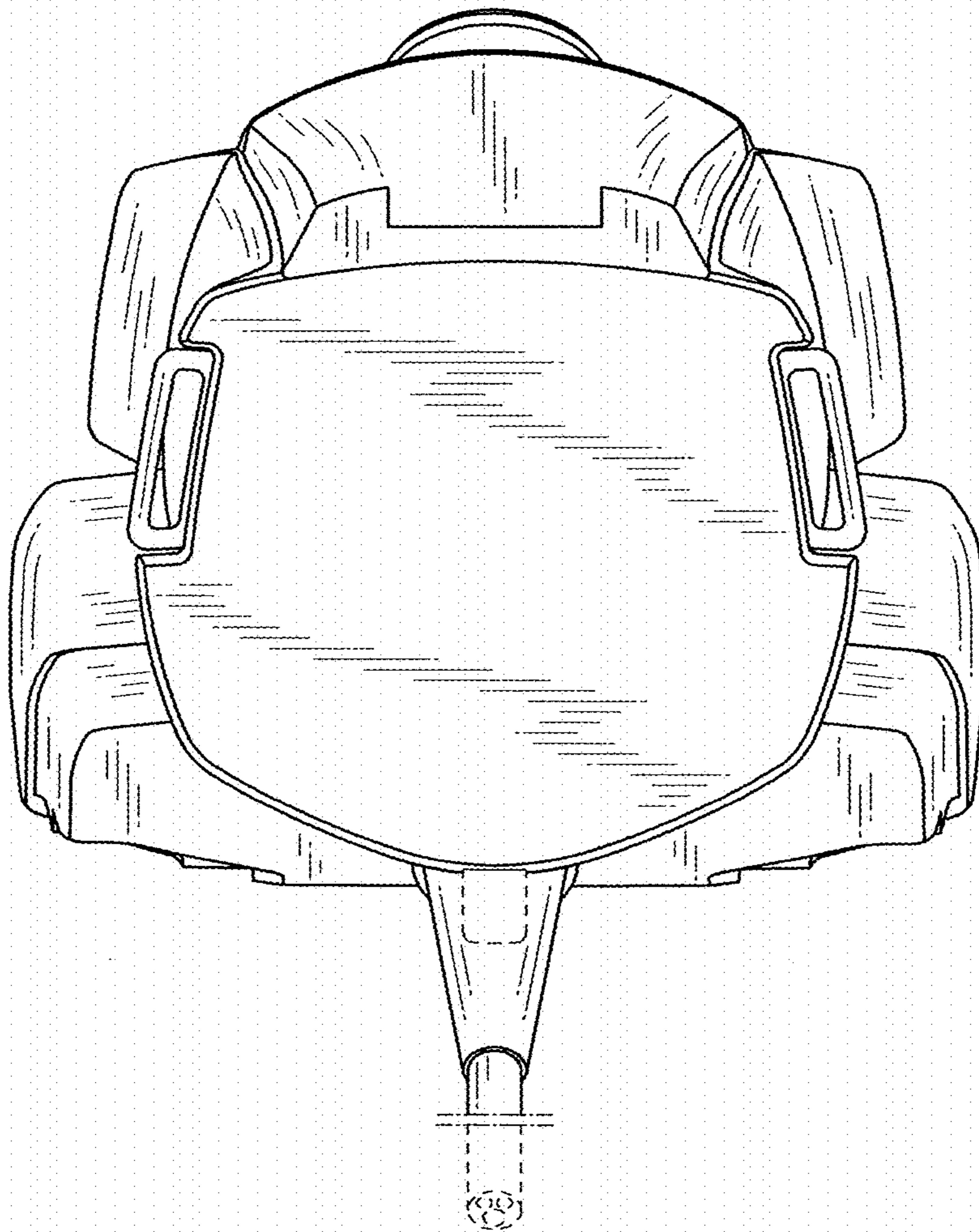


FIG. 6

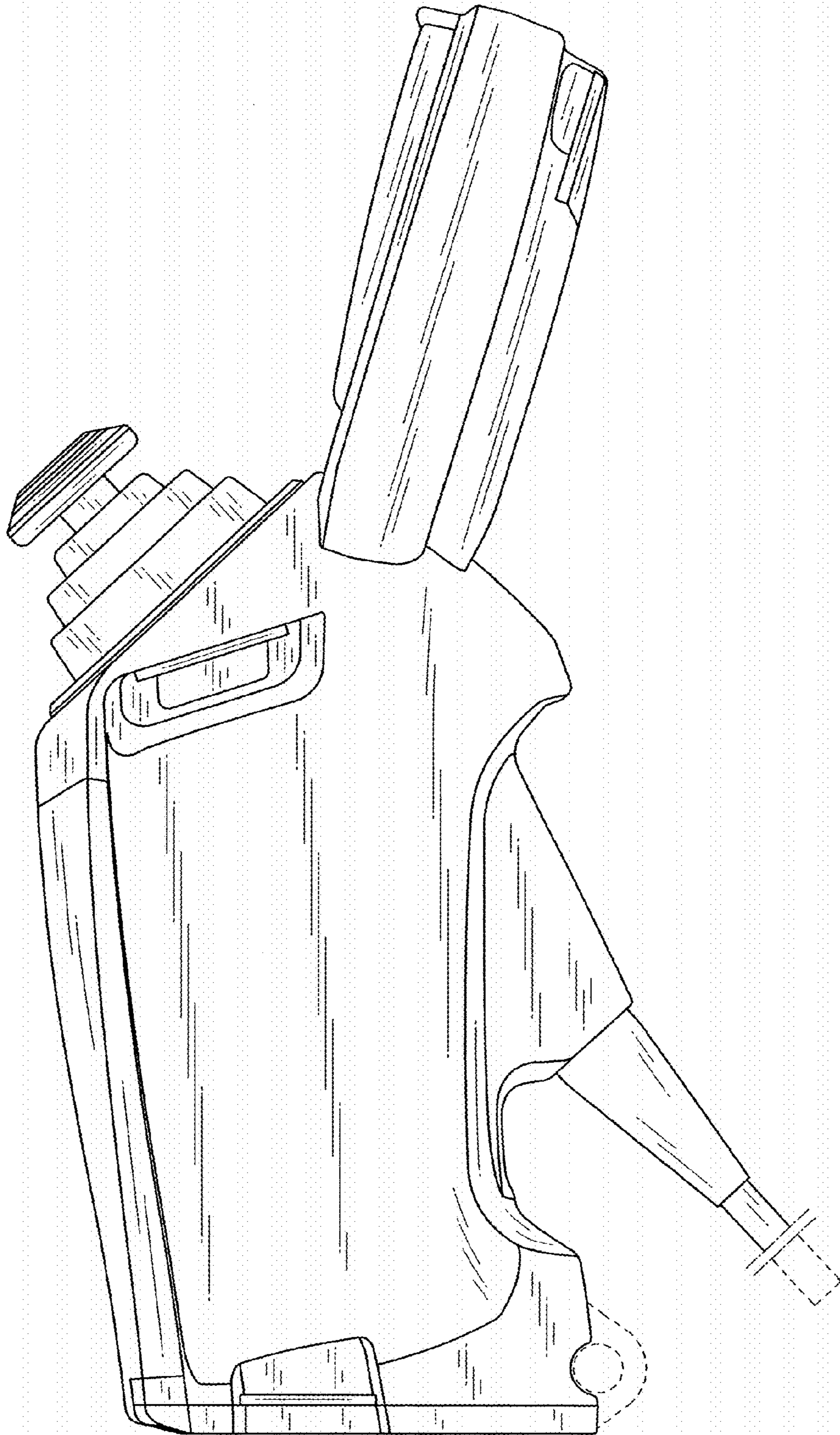


FIG. 7

