

US00D762852S

(12) **United States Design Patent**
Thouement et al.

(10) **Patent No.:** **US D762,852 S**
(45) **Date of Patent:** **** Aug. 2, 2016**

(54) **MEDICAL INSTRUMENT WITH SPIRAL TIP**

(71) Applicant: **Karl Storz GmbH & Co. KG,**
Tuttlingen (DE)

(72) Inventors: **Yann Thouement,** Les Essarts le Roi
(FR); **Regis Besse,** Guyancourt (FR)

(73) Assignee: **Karl Storz GmbH & Co. KG,**
Tuttlingen (DE)

(**) Term: **14 Years**

(21) Appl. No.: **29/482,539**

(22) Filed: **Feb. 19, 2014**

(51) **LOC (10) Cl.** **24-02**

(52) **U.S. Cl.**
USPC **D24/133**

(58) **Field of Classification Search**
USPC D24/105, 112, 127, 130, 135, 140, 146,
D24/147, 151, 152, 205, 228, 231; D8/14;
606/1, 106, 138, 161, 162, 168, 200
See application file for complete search history.

(56) **References Cited**

U.S. PATENT DOCUMENTS

343,145	A *	6/1886	Walker	606/106
2,751,912	A *	6/1956	Christoni	606/106
6,033,417	A *	3/2000	Tseng	606/162
D432,239	S *	10/2000	Shimizu	D24/151
D441,141	S *	4/2001	Shalita	D28/65
D489,133	S *	4/2004	Shimizu	D24/151
2003/0191492	A1 *	10/2003	Gellman et al.	606/200
2008/0234723	A1 *	9/2008	Buiser et al.	606/200
2011/0295305	A1 *	12/2011	Morero	606/200
2011/0319906	A1 *	12/2011	Rudakov et al.	606/127
2012/0245597	A1 *	9/2012	Tegels	A61B 17/0057 606/138

2014/0200600	A1 *	7/2014	Blatstein	606/162
2014/0243803	A1 *	8/2014	Besse	A61B 17/29 606/1
2014/0243885	A1 *	8/2014	Eckhouse et al.	606/200
2015/0005809	A1 *	1/2015	Ayres et al.	606/200
2015/0313588	A1 *	11/2015	John	A61B 17/29 606/138

OTHER PUBLICATIONS

Storz—The World of Endoscopy; “Laparoscopy in Surgery, Gynecology, Urology”; 7th Edition; Jan. 1, 2012; p. 581.

* cited by examiner

Primary Examiner — Ian Simmons

Assistant Examiner — Samantha Q Lawrence

(74) *Attorney, Agent, or Firm* — Whitmyer IP Group LLC

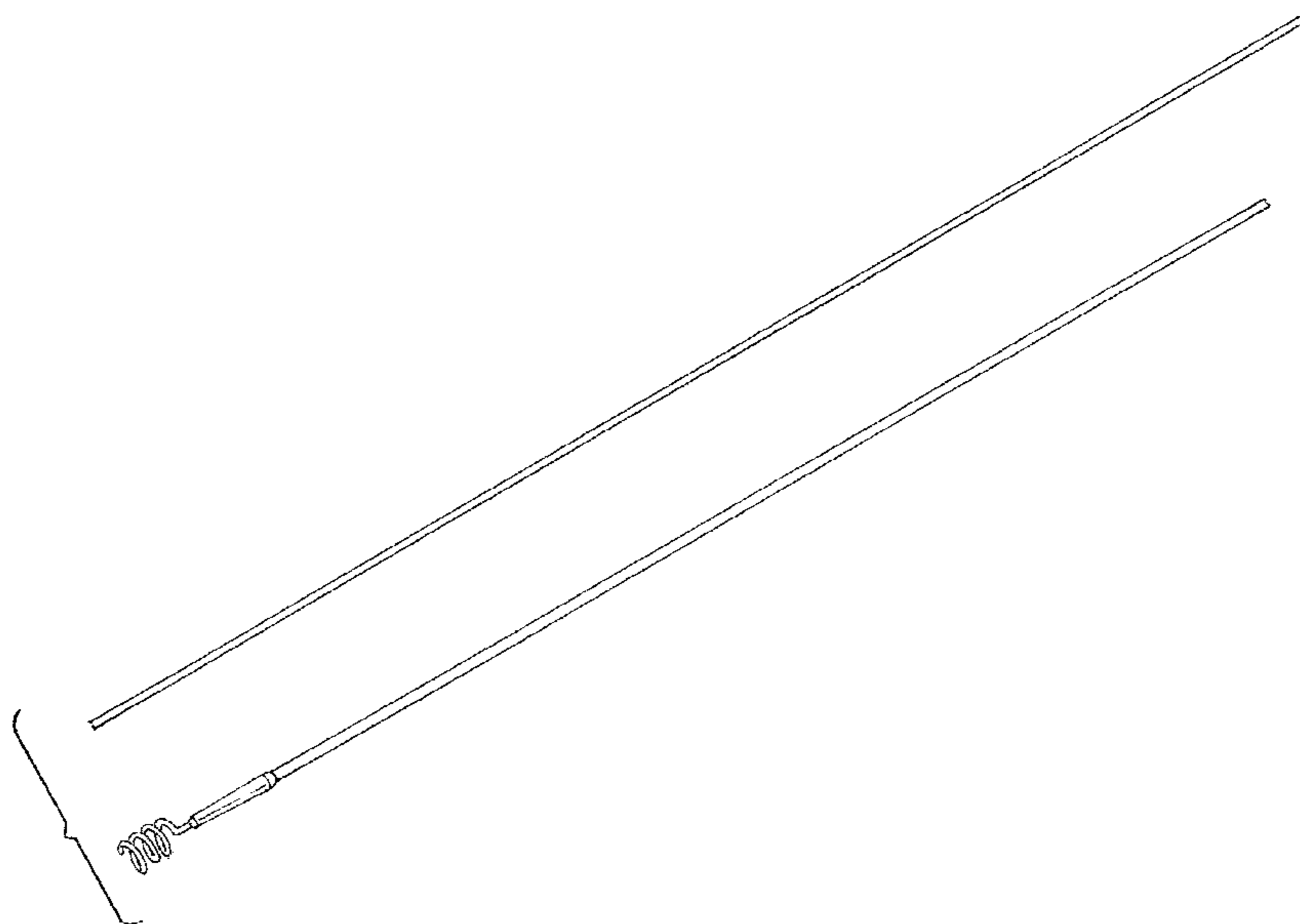
(57) **CLAIM**

The ornamental design for a medical instrument with spiral tip, as shown and described.

DESCRIPTION

FIG. 1 is a top isometric view of a medical instrument with spiral tip in accordance with the new design; FIG. 2 is a front bottom isometric view thereof; FIG. 3 is a left side elevational view thereof; FIG. 4 is a top plan view thereof; FIG. 5 is a right side elevational view thereof; FIG. 6 is a bottom plan view thereof; FIG. 7 is a top rear isometric view thereof; FIG. 8 is an enlarged top isometric view thereof; and, FIG. 9 is an enlarged bottom isometric view thereof. FIGS. 1-9 show a break indicating no particular length. The medical instrument with spiral tip is shown with a symbolic break in its length, width, and height. The appearance of any portion of the article between the break lines forms no part of the claimed design.

1 Claim, 8 Drawing Sheets



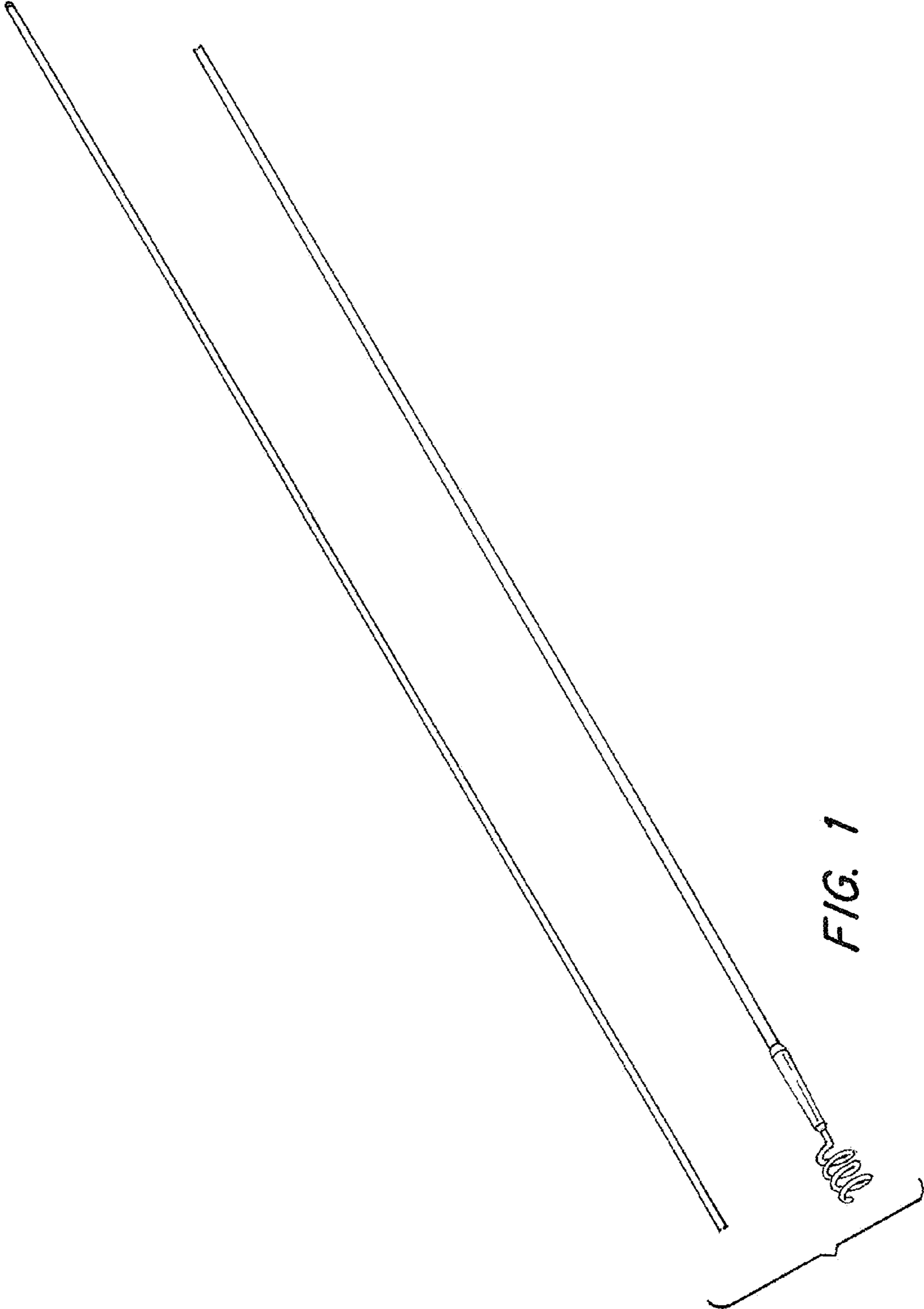
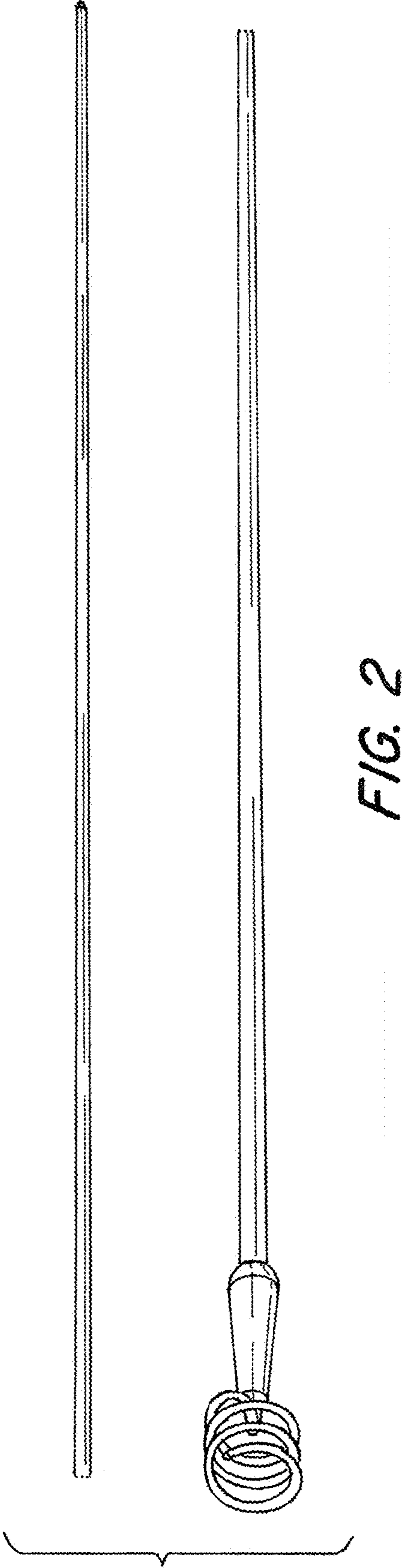


FIG. 1



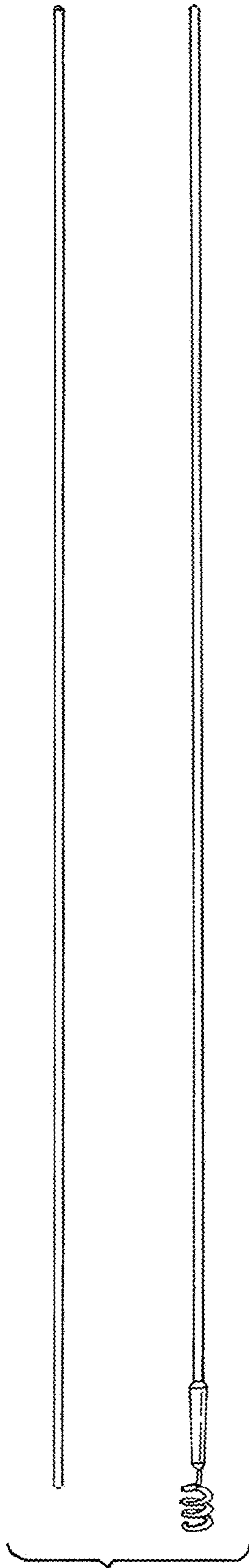


FIG. 3

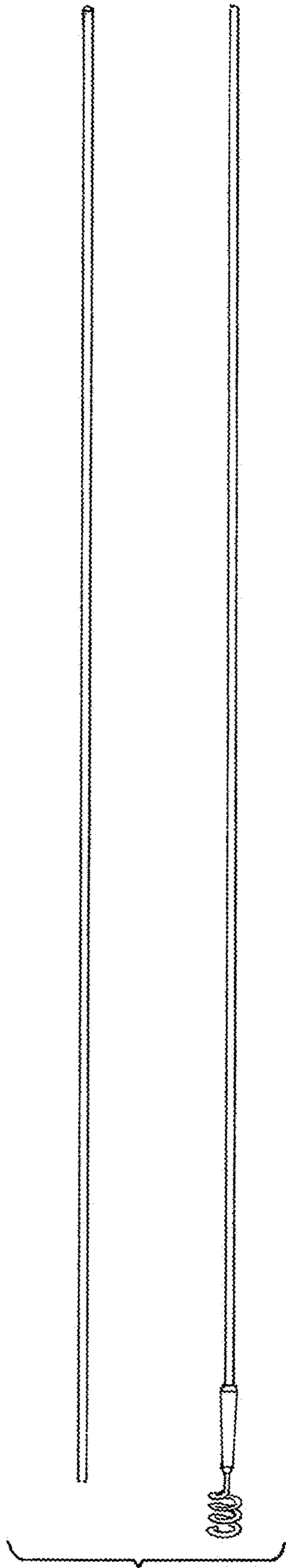


FIG. 4

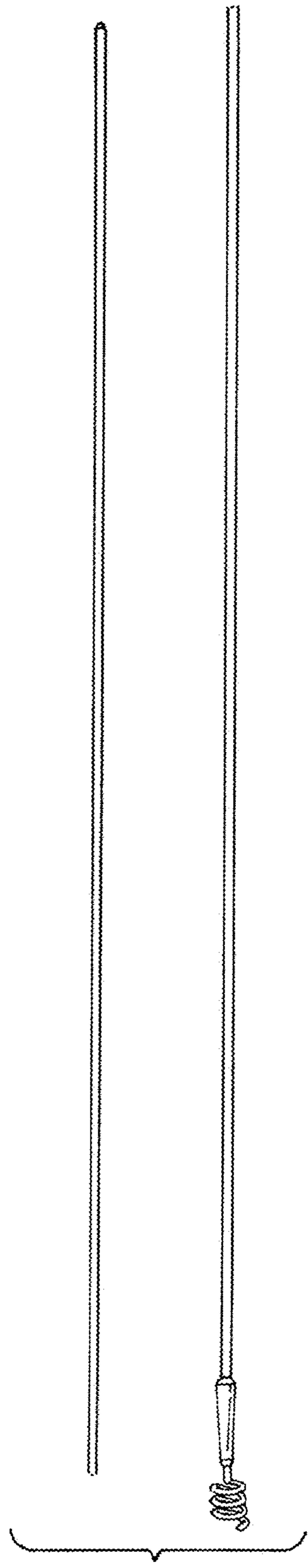


FIG. 5

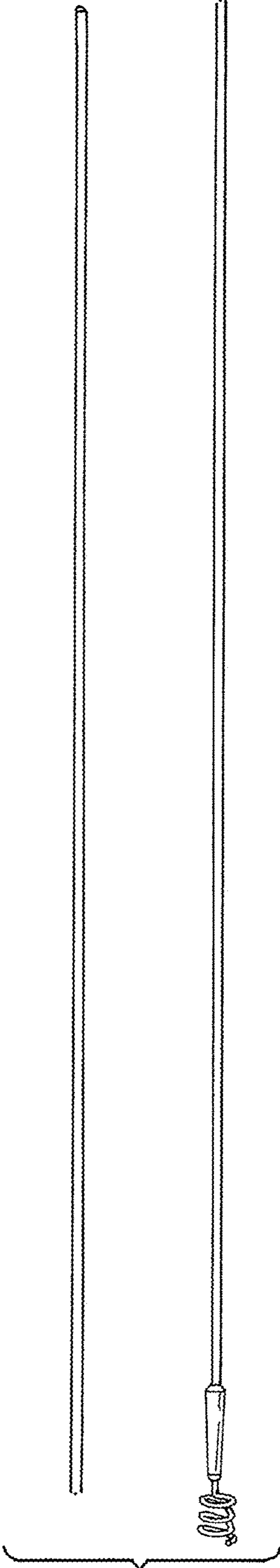


FIG. 6

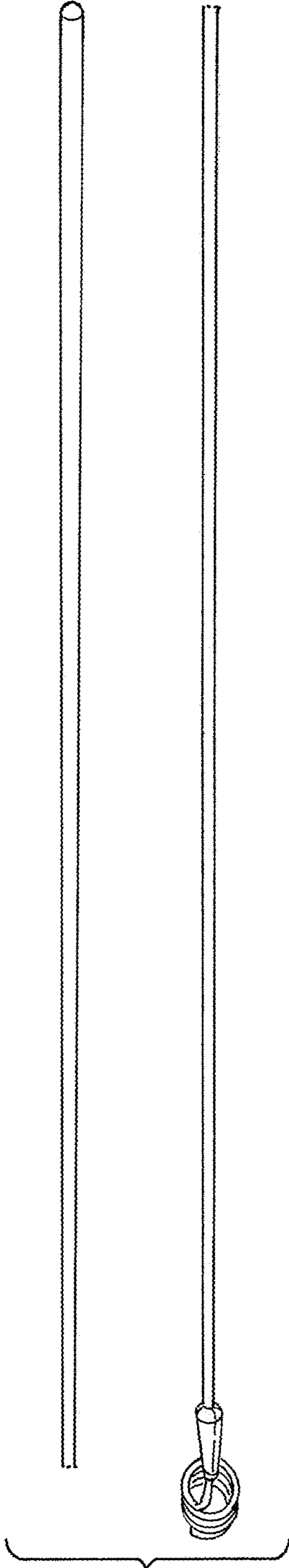


FIG. 7

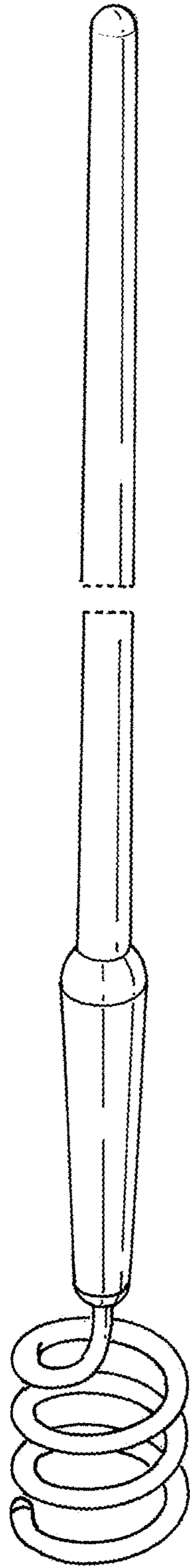


FIG. 8

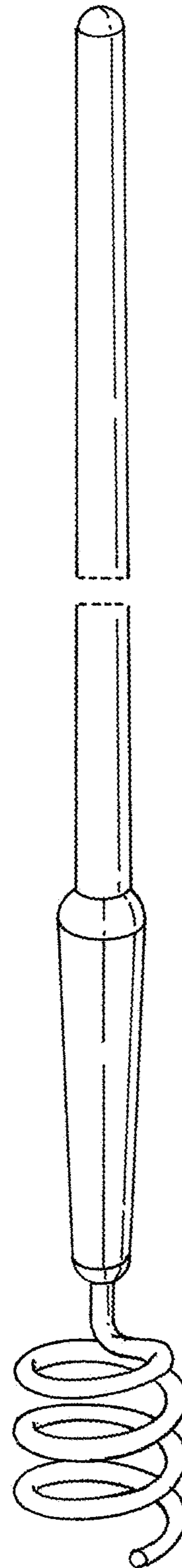


FIG. 9