

US00D762848S

(12) **United States Design Patent**
Coroneo

(10) **Patent No.:** **US D762,848 S**
(45) **Date of Patent:** **** Aug. 2, 2016**

- (54) **INTRAVITREAL INJECTION DEVICE**
- (71) Applicant: **Minas Theodore Coroneo**, Vacluse (AU)
- (72) Inventor: **Minas Theodore Coroneo**, Vacluse (AU)
- (**) Term: **14 Years**
- (21) Appl. No.: **29/506,612**
- (22) Filed: **Oct. 17, 2014**
- (51) **LOC (10) Cl.** **24-02**
- (52) **U.S. Cl.**
USPC **D24/112**
- (58) **Field of Classification Search**
USPC D24/112–114, 108, 130, 127, 133, 186;
606/181, 185; 604/116, 506, 264,
604/523–528, 272, 164.01–164.11, 187,
604/93.01; 600/101, 139, 143; 128/200.24,
128/207.14, 207.15
CPC A61M 25/065; A61M 5/42; A61M 27/00;
A61M 25/0043; A61M 25/0067; A61M
25/0097; A61F 2/958
See application file for complete search history.

- D669,981 S * 10/2012 Ruiz, Sr. D24/133
- 8,556,861 B2 * 10/2013 Tsals A61M 5/3243
604/187
- D718,441 S * 11/2014 Carus D24/133
- 8,888,757 B2 * 11/2014 Moga A61M 37/0015
604/22
- 8,894,616 B2 * 11/2014 Harrison A61B 19/26
604/116
- D739,932 S * 9/2015 Ratjen D24/113
- 2013/0023824 A1 1/2013 Coroneo

* cited by examiner

Primary Examiner — David Muller

(74) *Attorney, Agent, or Firm* — Knobbe Martens Olson & Bear LLP

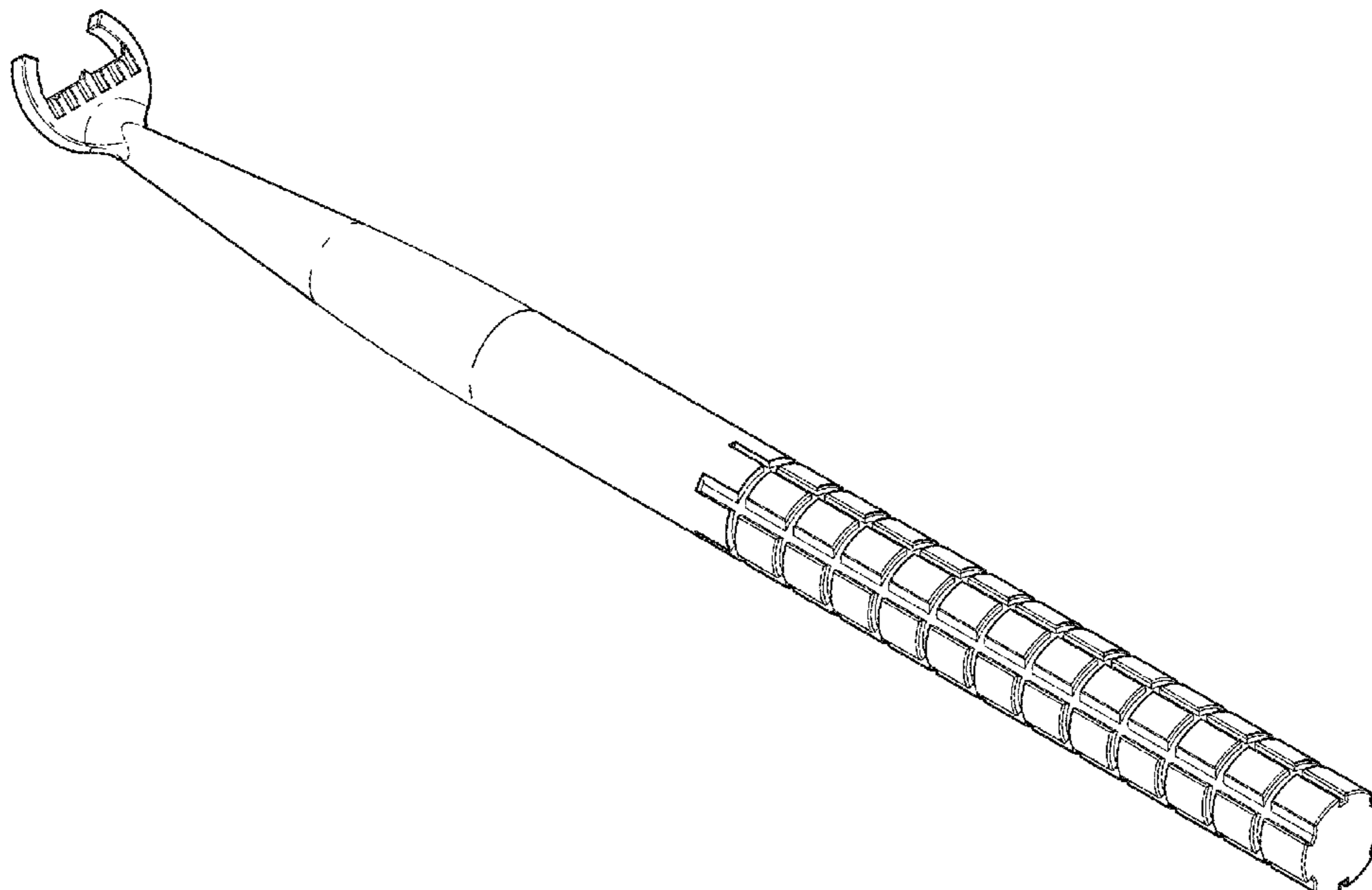
(57) **CLAIM**

The ornamental design for a intravitreal injection device, as shown and described.

DESCRIPTION

FIG. 1 is a first perspective view of a intravitreal injection device according to my new design.
 FIG. 2 is a second perspective view thereof.
 FIG. 3 is a front elevational view thereof.
 FIG. 4 is a rear elevational view thereof.
 FIG. 5 is a top plan view thereof.
 FIG. 6 is a bottom plan view thereof.
 FIG. 7 is a left side elevational view thereof, enlarged to show details of the design.
 FIG. 8 is a partial view of FIG. 2, showing a contact head at the left end of the intravitreal injection device, enlarged for magnification purposes; and,
 FIG. 9 is a partial, enlarged view of the underside of the contact head as shown in FIG. 8.
 The broken lines in FIGS. 8 and 9 indicate boundary lines of the areas being enlarged.

1 Claim, 6 Drawing Sheets



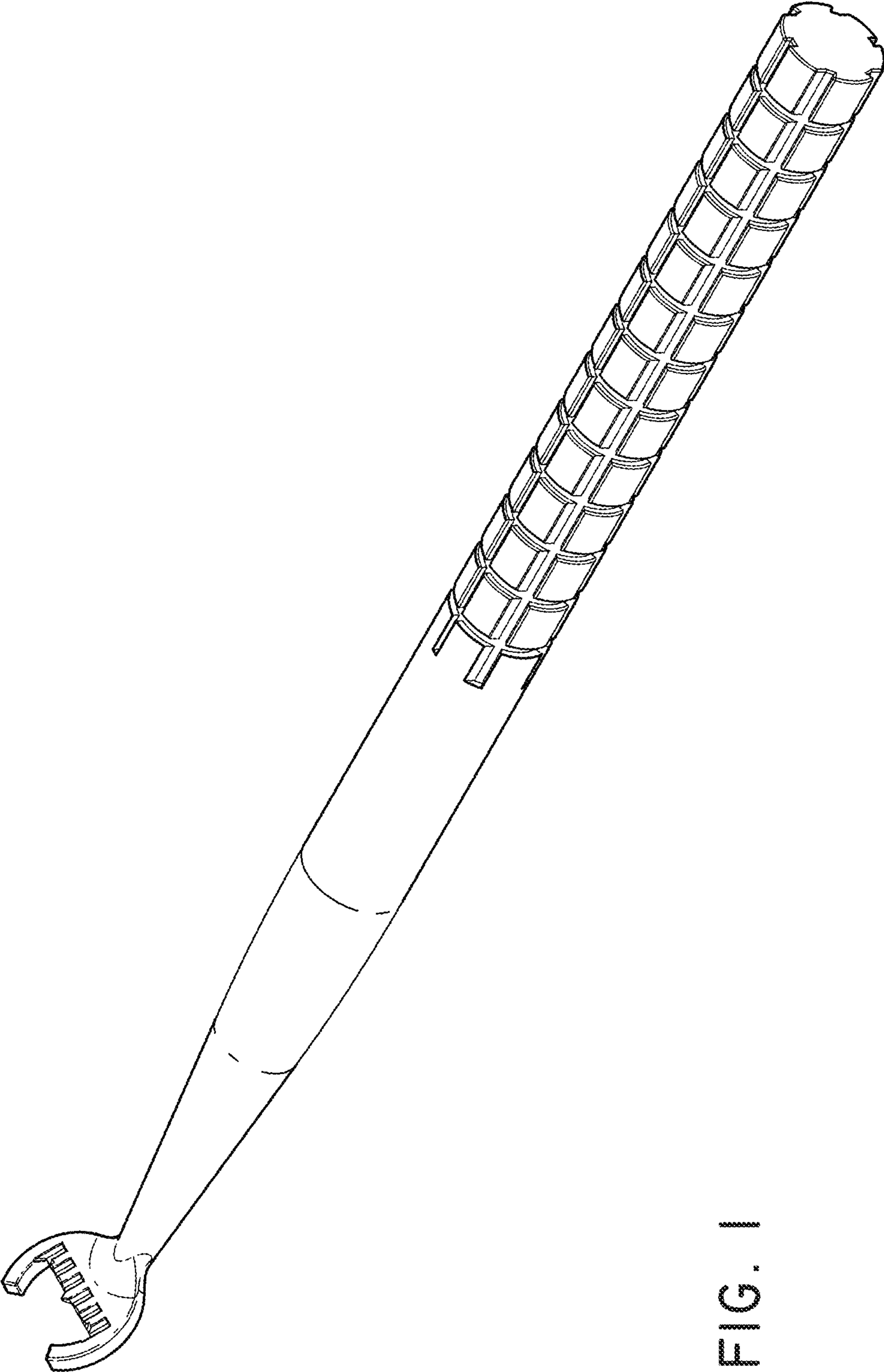


FIG. 1

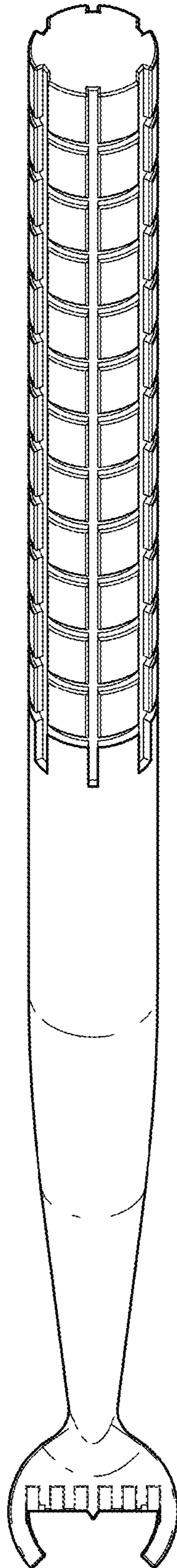


FIG. 2

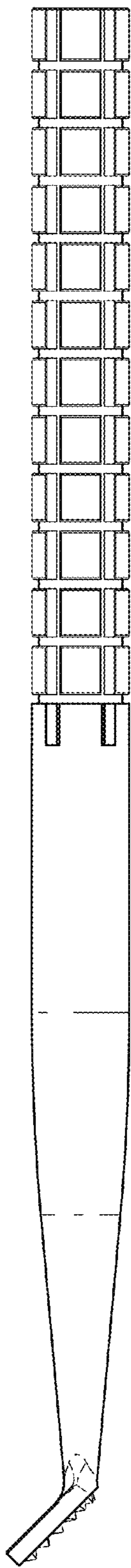


FIG. 3

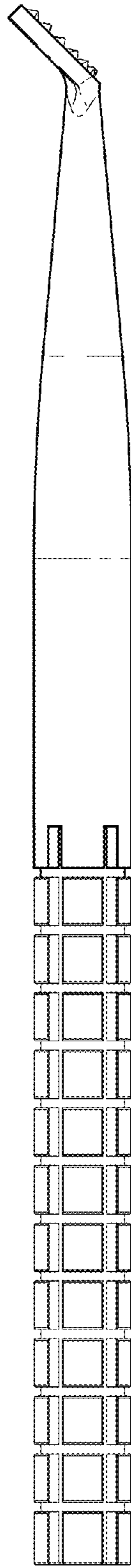


FIG. 4

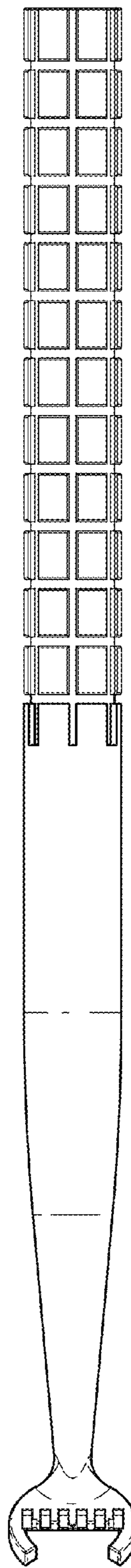


FIG. 5

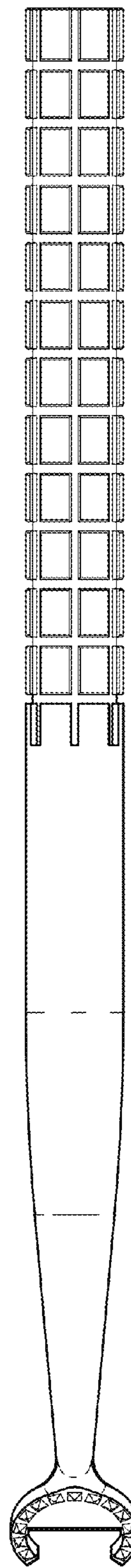


FIG. 6

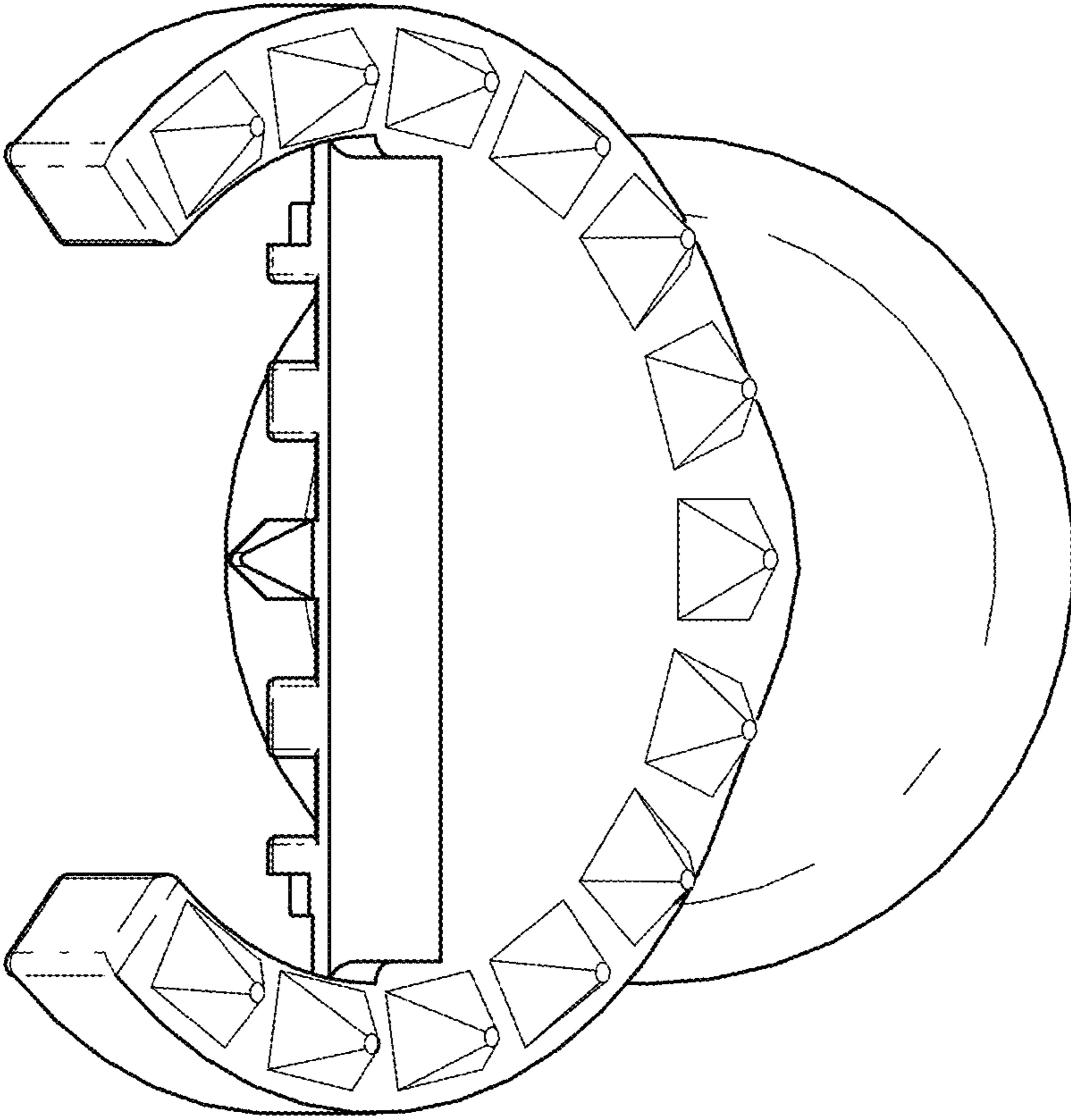


FIG. 7

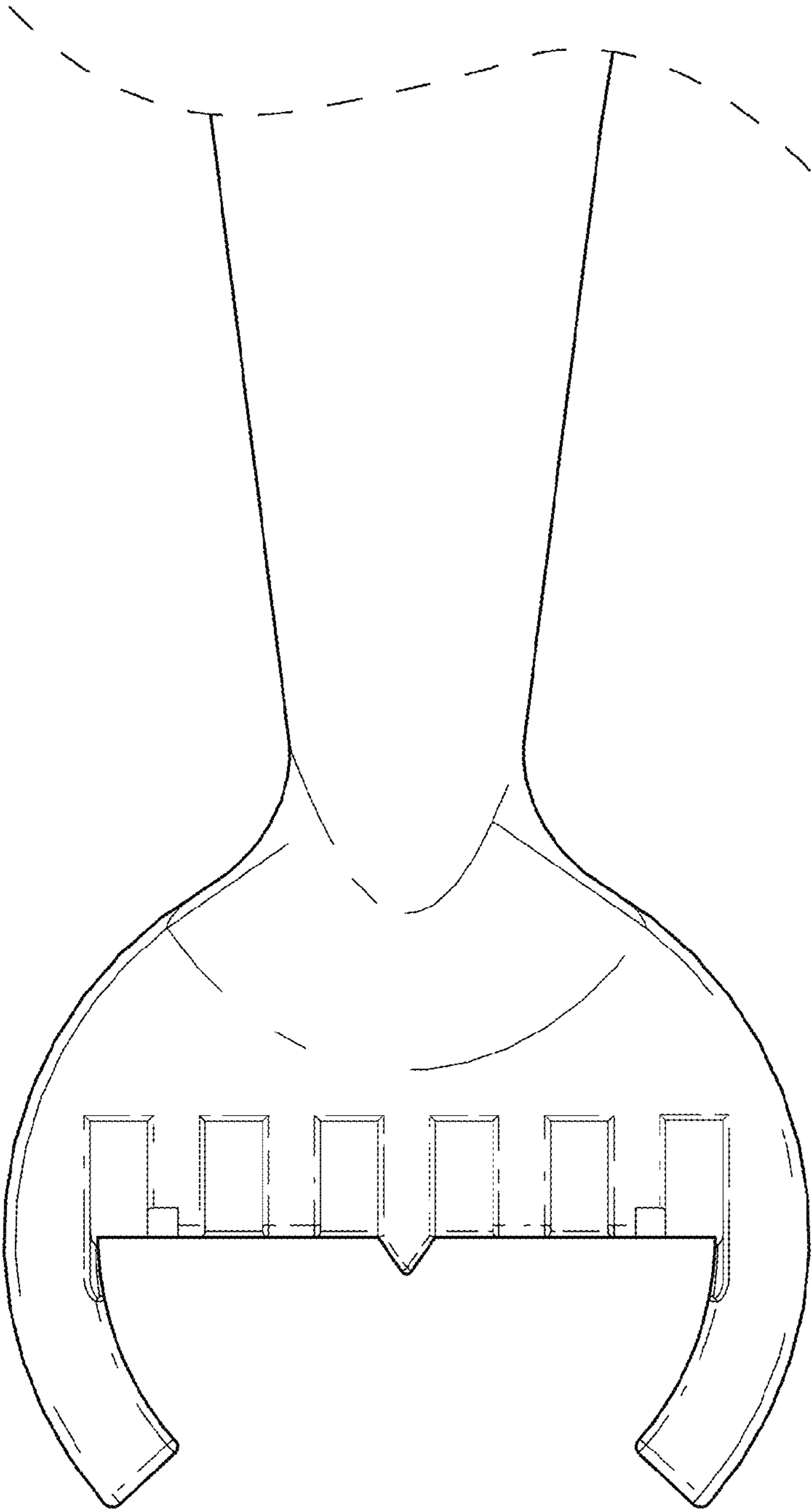


FIG. 8

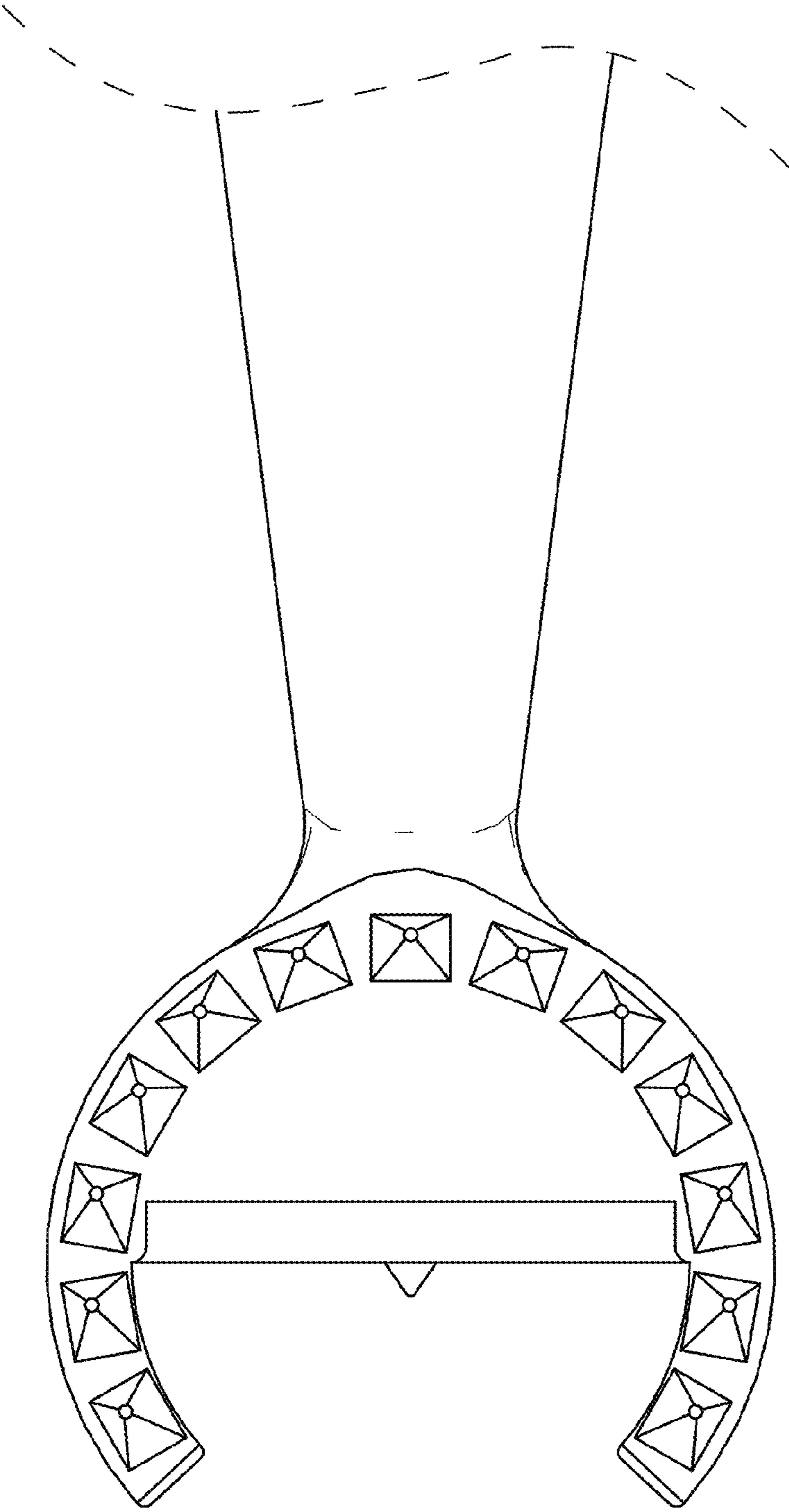


FIG. 9