

US00D762846S

(12) **United States Design Patent**  
**Fehr**

(10) **Patent No.:** **US D762,846 S**  
(45) **Date of Patent:** **\*\* Aug. 2, 2016**

(54) **CPAP FACE STRAP**

(71) Applicant: **Margaret G. A. Fehr**, Saskatoon (CA)

(72) Inventor: **Margaret G. A. Fehr**, Saskatoon (CA)

(\*\*) Term: **15 Years**

(21) Appl. No.: **29/535,765**

(22) Filed: **Aug. 10, 2015**

(51) **LOC (10) Cl.** ..... **29-02**

(52) **U.S. Cl.**  
USPC ..... **D24/110.1**

(58) **Field of Classification Search**  
USPC ..... D24/110–110.4, 127, 164; D3/318, 327  
CPC ..... A61M 16/0683; A61M 16/0605;  
A61M 16/0622; A61M 16/06; A61M 16/0616;  
A61M 16/0661; A61M 16/0633; A61M  
16/0644

See application file for complete search history.

(56) **References Cited**

**U.S. PATENT DOCUMENTS**

1,631,694	A *	6/1927	Rick	.....	A45F 3/12 2/460
5,697,100	A *	12/1997	Horowitz	.....	A41D 13/1161 2/13
D441,081	S *	4/2001	Mueller	.....	D24/135
6,649,181	B1 *	11/2003	Miner	.....	A61F 13/126 424/401
D488,924	S *	4/2004	Miller	.....	D3/228
D653,746	S *	2/2012	Gibson	.....	D24/110
D660,413	S *	5/2012	Hill	.....	D24/110.1
D662,203	S *	6/2012	Smith	.....	D24/135
D668,328	S *	10/2012	Hill	.....	D24/110.1
8,365,733	B2	2/2013	Rutan		
D684,683	S *	6/2013	Curti	.....	D24/110
D692,124	S *	10/2013	Austin	.....	D24/110.1
D695,389	S *	12/2013	Schilb	.....	D24/110.1
D700,961	S *	3/2014	Tellez	.....	D24/110
D735,318	S *	7/2015	Roblin-Lee	.....	D24/110.1
2008/0216214	A1	9/2008	Dolby		
2008/0264422	A1 *	10/2008	Fishman	.....	A61M 16/06 128/207.11

2009/0107507	A1	4/2009	Moore		
2009/0139525	A1	6/2009	Schirm		
2010/0018535	A1 *	1/2010	Chimenti	.....	A61M 16/06 128/206.24
2010/0258132	A1 *	10/2010	Moore	.....	A61M 16/0683 128/207.11
2011/0005524	A1 *	1/2011	Veliss	.....	A61M 16/0666 128/206.24
2011/0197341	A1 *	8/2011	Formica	.....	A61M 16/0683 2/209.3
2012/0067350	A1	3/2012	Palmer, Jr.		
2012/0199128	A1	8/2012	Moore		
2015/0144139	A1 *	5/2015	Lockhart	.....	A61M 16/06 128/205.25

**OTHER PUBLICATIONS**

CPAP Flannel Face Strap. For Sale by Inventor. Date accessed: Apr. 27, 2016. <<https://forsalebyinventor.com/products/portfolio-item/cpap-flannel-face-strap/>>.\*

Margaret G A Fehr: CPAP Flannel Face Strap. For Sale by Inventor. YouTube.com. Oct. 8, 2015. <<https://www.youtube.com/watch?v=eDdOu0CYzZI>>.\*

\* cited by examiner

*Primary Examiner* — Barbara Fox

*Assistant Examiner* — Lilyana Bekic

(74) *Attorney, Agent, or Firm* — Robert C Montgomery; Montgomery Patent & Design

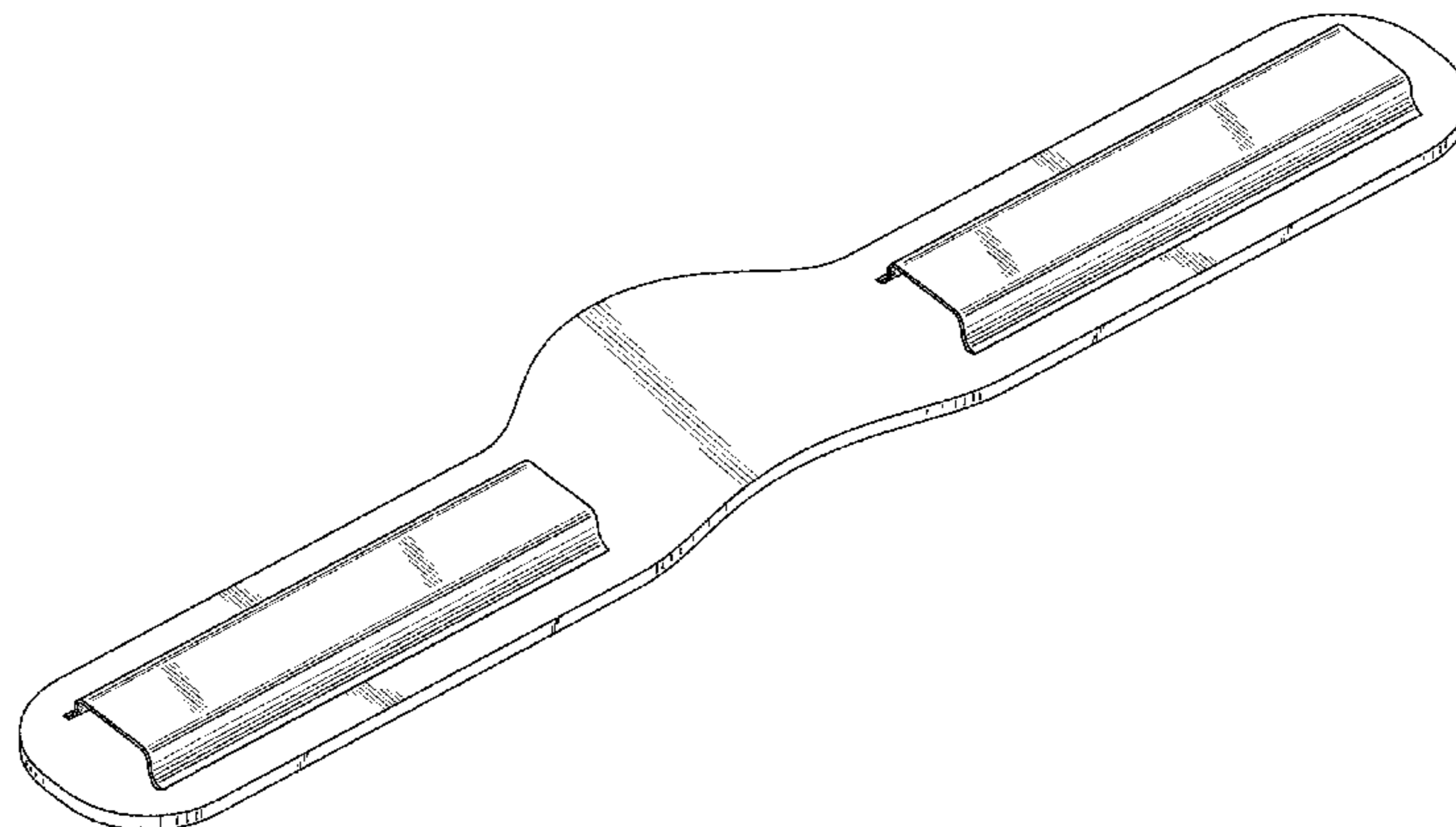
(57) **CLAIM**

The ornamental design for CPAP face strap, as shown and described.

**DESCRIPTION**

FIG. 1 is a perspective view of a CPAP face strap, showing my new design;  
FIG. 2 is a front side view with the backside view being a mirror image thereof;  
FIG. 3 is a right side view thereof;  
FIG. 4 is a left side view thereof;  
FIG. 5 is a top side view thereof; and,  
FIG. 6 is a bottom side view thereof.

**1 Claim, 6 Drawing Sheets**



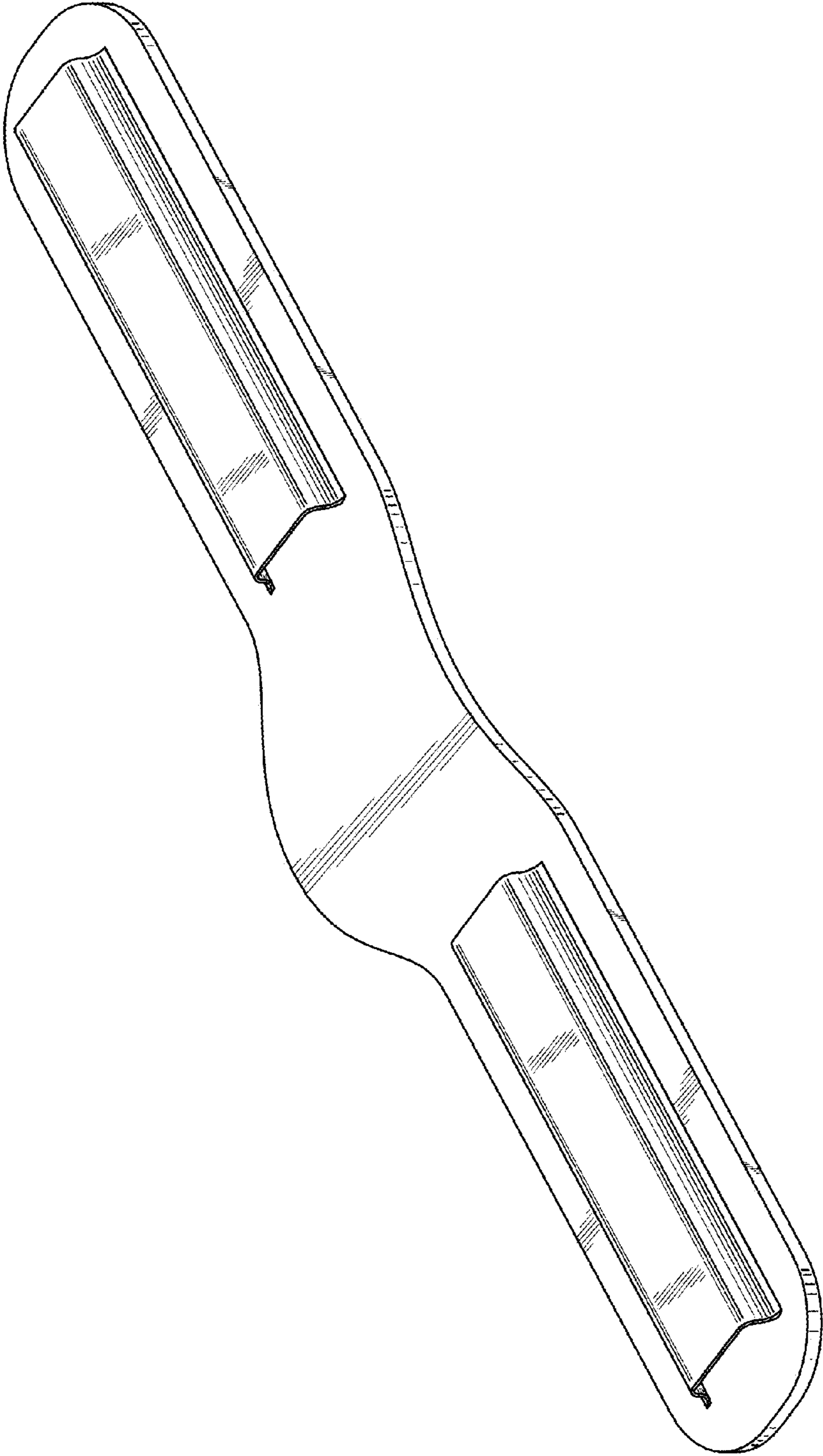


FIG. 1

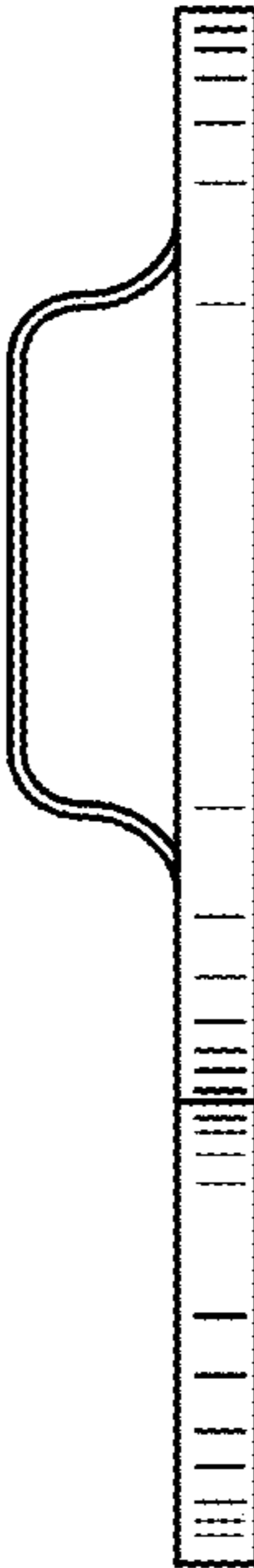


FIG. 2

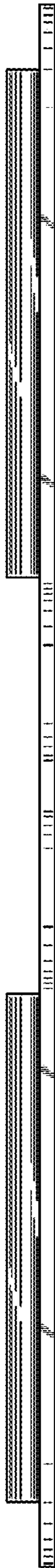


FIG. 3

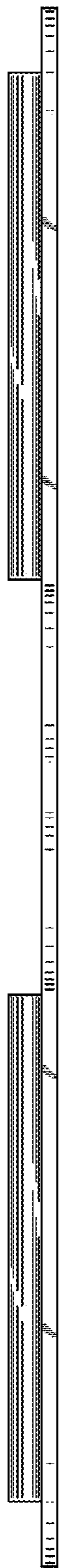


FIG. 4

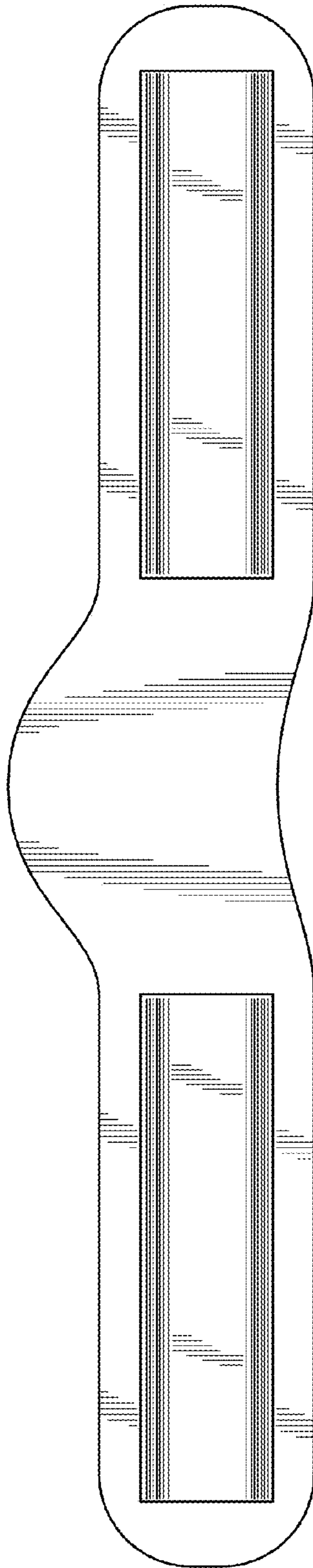


FIG. 5

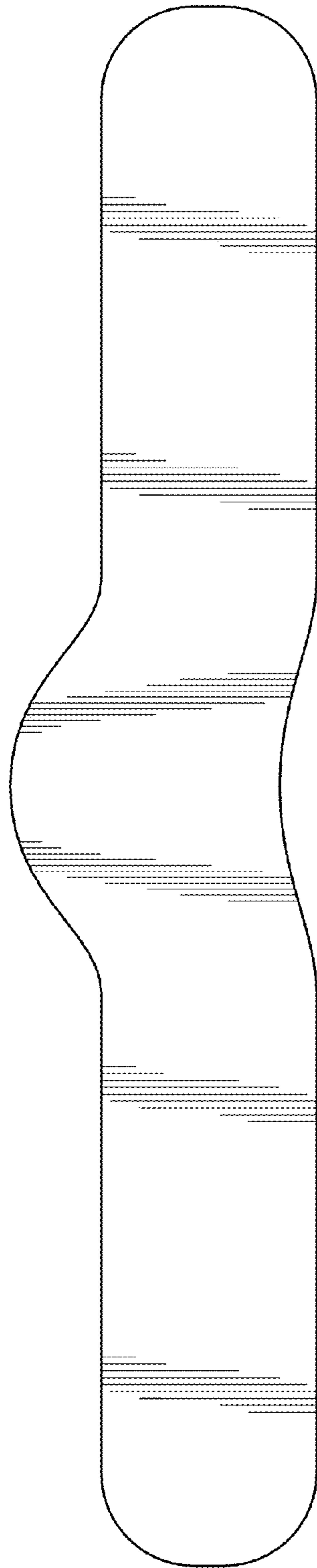


FIG. 6