



US00D762843S

(12) **United States Design Patent**  
**Formica et al.**

(10) **Patent No.:** **US D762,843 S**  
(45) **Date of Patent:** **\*\* Aug. 2, 2016**

(54) **AIR DELIVERY TUBE**

(71) Applicant: **ResMed Limited**, Bella Vista, New South Wales (AU)

(72) Inventors: **Justin John Formica**, Sydney (AU); **Saad Nasr**, Sydney (AU); **Joseph Samuel Ormrod**, Sydney (AU); **Ernie Wei-Chih Tsai**, Sydney (AU)

(73) Assignee: **ResMed Limited**, Bella Vista (AU)

(\*\*) Term: **14 Years**

(21) Appl. No.: **29/485,313**

(22) Filed: **Mar. 18, 2014**

(51) **LOC (10) Cl.** ..... **29-02**

(52) **U.S. Cl.**  
USPC ..... **D24/110**

(58) **Field of Classification Search**  
USPC ..... D24/110, 110.1–110.5, 127  
CPC ..... A61M 16/0616; A61M 16/0633;  
A61M 16/06; A61M 16/0666; A61M 16/0683;  
A61M 16/0875; A61M 16/0816  
See application file for complete search history.

(56) **References Cited**

**U.S. PATENT DOCUMENTS**

2,073,335 A \* 3/1937 Connell ..... A61M 16/08  
128/204.18  
2,516,864 A \* 8/1950 Gilmore ..... B29B 13/00  
138/133

(Continued)

**FOREIGN PATENT DOCUMENTS**

EM 001312953-0001 3/2012  
EM 001312953-0002 3/2012

(Continued)

**OTHER PUBLICATIONS**

Office Action mailed Dec. 4, 2014 in U.S. Appl. No. 29/456,477 (9 pages).

(Continued)

*Primary Examiner* — Barbara Fox  
*Assistant Examiner* — Lilyana Bekic  
(74) *Attorney, Agent, or Firm* — Nixon & Vanderhye P.C.

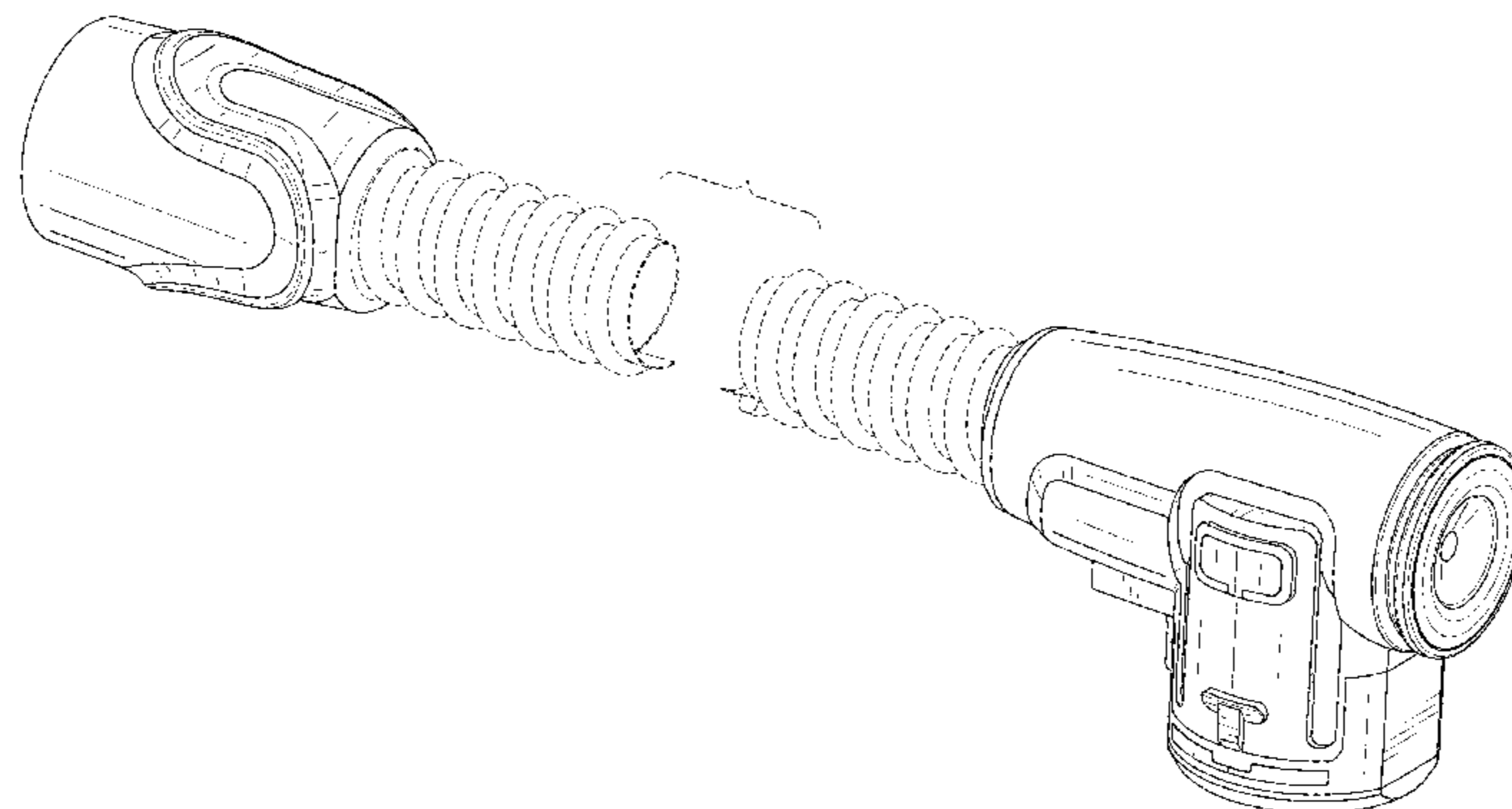
(57) **CLAIM**

We claim the ornamental design for an air delivery tube, as shown and described.

**DESCRIPTION**

FIG. 1 is a perspective view, from the front, top, right side, of an air delivery tube showing a first embodiment according to our new design;  
FIG. 2 is a perspective view from the front, bottom, right side, thereof;  
FIG. 3 is a front view thereof;  
FIG. 4 is a rear view thereof;  
FIG. 5 is a top view thereof;  
FIG. 6 is a bottom view thereof;  
FIG. 7 is a left side view thereof;  
FIG. 8 is a right side view thereof;  
FIG. 9 is another perspective view;  
FIG. 10 is still another perspective view;  
FIG. 11 is a perspective view, from the front, top, right side, of an air delivery tube showing a second embodiment according to our new design;  
FIG. 12 is a perspective view from the front, bottom, right side, thereof;  
FIG. 13 is a front view thereof;  
FIG. 14 is a rear view thereof;  
FIG. 15 is a top view thereof;  
FIG. 16 is a bottom view thereof;  
FIG. 17 is a left side view thereof;  
FIG. 18 is a right side view thereof;  
FIG. 19 is another perspective view; and,  
FIG. 20 is still another perspective view.  
The broken lines in the drawings illustrate portions of the air delivery tube that form no part of the claimed design.

**1 Claim, 18 Drawing Sheets**



(56)

## References Cited

U.S. PATENT DOCUMENTS							
2,524,522	A *	10/1950	Gilmore	B29C 53/60	D620,102 S	7/2010	Klien et al.
				138/111	D621,031 S	8/2010	Lithgow et al.
2,954,802	A *	10/1960	Duff	A47L 9/224	D627,044 S	11/2010	Virr et al.
				138/122	D628,288 S	11/2010	Row et al.
3,163,707	A *	12/1964	Darling	A47L 9/24	D629,891 S	12/2010	Virr et al.
				128/204.18	D629,892 S	12/2010	Hill et al.
3,388,705	A	6/1968	Grosshandler		7,866,944 B2	1/2011	Kenyon et al.
D217,550	S *	5/1970	Campbell	D23/266	7,874,292 B2	1/2011	Smith et al.
4,188,081	A	2/1980	Holden et al.		D634,406 S	3/2011	Klimas
4,437,691	A	3/1984	Laney		D635,244 S	3/2011	Virr et al.
D280,765	S	9/1985	Alvino		D635,245 S	3/2011	Virr et al.
4,621,632	A	11/1986	Bartels et al.		D635,654 S	4/2011	Virr et al.
4,714,279	A	12/1987	Custeau		D638,536 S	5/2011	Row et al.
4,782,832	A	11/1988	Trimble et al.		D638,537 S	5/2011	Virr et al.
D302,040	S *	7/1989	Lambert	D23/314	D638,933 S	5/2011	Hill et al.
4,944,310	A	7/1990	Sullivan		D641,467 S	7/2011	Amann
5,054,156	A	10/1991	Watanabe et al.		D643,114 S	8/2011	Virr et al.
5,309,902	A	5/1994	Kee et al.		D644,731 S *	9/2011	Fangrow, Jr. D24/129
5,336,192	A	8/1994	Palestrant		D650,479 S	12/2011	Row et al.
5,382,242	A	1/1995	Horton et al.		D652,916 S	1/2012	Row et al.
D360,027	S *	7/1995	Psaros	D23/359	D652,917 S	1/2012	Hill et al.
5,429,398	A	7/1995	Lupke		8,100,127 B2 *	1/2012	Worley A61M 16/0816 128/202.27
D378,128	S	2/1997	Rozek et al.		D655,813 S	3/2012	Row et al.
5,762,382	A	6/1998	Pernetti et al.		D658,283 S	4/2012	Burz et al.
D421,298	S	2/2000	Kenyon et al.		D659,235 S	5/2012	Bertinetti et al.
6,099,046	A	8/2000	Oh		D671,209 S	11/2012	Row et al.
D436,401	S	1/2001	Remes et al.		8,360,059 B2	1/2013	Koulechov
D439,326	S *	3/2001	Hecker	D24/110.1	D675,730 S	2/2013	Lithgow et al.
D454,637	S	3/2002	Nesteborg		8,375,945 B2	2/2013	Kepler et al.
D464,724	S	10/2002	Lynch et al.		D677,789 S	3/2013	Row et al.
D467,335	S	12/2002	Lithgow et al.		D680,636 S	4/2013	Ching
6,532,959	B1	3/2003	Berthon-Jones		D682,406 S	5/2013	Yeom
D473,941	S *	4/2003	Cise	D24/110	D685,896 S	7/2013	Niedermann et al.
D476,077	S	6/2003	Lithgow et al.		D693,005 S	11/2013	Nawata et al.
6,581,594	B1	6/2003	Drew et al.		D696,393 S	12/2013	Lu
D476,731	S *	7/2003	Cise	D24/110	8,631,789 B2	1/2014	Virr et al.
D486,909	S *	2/2004	Cise	D24/110	8,636,479 B2	1/2014	Kenyon et al.
6,691,707	B1	2/2004	Gunaratnam et al.		8,638,014 B2	1/2014	Sears et al.
6,722,904	B2 *	4/2004	Linhart	A47L 9/246 174/135	D699,356 S	2/2014	Patil
					D702,353 S	4/2014	Fujimoto et al.
D493,520	S	7/2004	Bertinetti et al.		D703,311 S	4/2014	Daly
D493,884	S	8/2004	Virr et al.		D707,334 S *	6/2014	Hernandez D23/266
D497,203	S	10/2004	Lithgow et al.		D707,338 S	6/2014	Ediger et al.
D500,847	S	1/2005	Manke et al.		D708,316 S	7/2014	Bertinetti et al.
D504,945	S	5/2005	Van Brunt et al.		8,770,198 B2	7/2014	Yee
6,892,729	B2	5/2005	Smith et al.		8,783,298 B2	7/2014	Zucker
6,953,354	B2	10/2005	Edirisuriya		D710,989 S	8/2014	Bertinetti et al.
D544,598	S	6/2007	Lithgow et al.		D716,419 S *	10/2014	Hernandez D23/259
7,226,302	B2 *	6/2007	Walter	A47L 9/246 15/377	D716,452 S	10/2014	Hutchison
					D719,248 S	12/2014	Smith, Jr. et al.
7,237,770	B2	7/2007	Lipscombe et al.		8,905,031 B2 *	12/2014	Barlow A61M 16/0666 128/206.25
D550,349	S	9/2007	Lithgow et al.		D729,936 S	5/2015	Reback
D560,795	S	1/2008	Lithgow et al.		D735,865 S	8/2015	Nishimura
D561,881	S	2/2008	Huang		D736,371 S *	8/2015	Row D24/129
D561,890	S	2/2008	Lithgow et al.		D738,488 S	9/2015	Formica et al.
D561,891	S	2/2008	Lithgow et al.		D738,489 S	9/2015	Formica et al.
D570,473	S	6/2008	Hamaguchi et al.		D741,477 S *	10/2015	Rogers D24/129
D572,355	S	7/2008	Gao		D742,508 S *	11/2015	Row D24/129
D578,204	S	10/2008	Lithgow et al.		D743,556 S	11/2015	Bath et al.
D580,060	S	11/2008	Adams		D744,108 S	11/2015	Verma et al.
D585,131	S	1/2009	Trevor-Wilson et al.		2003/0236015 A1	12/2003	Edirisuriya et al.
D585,540	S	1/2009	Lithgow et al.		2006/0106345 A1	5/2006	Flaker et al.
D590,494	S	4/2009	Lithgow et al.		2007/0040378 A1	2/2007	Sheppard et al.
D592,301	S	5/2009	Cork et al.		2007/0169776 A1	7/2007	Kepler et al.
D594,102	S	6/2009	Israel et al.		2007/0218734 A1	9/2007	Walter et al.
D597,186	S	7/2009	Campbell et al.		2007/0277828 A1 *	12/2007	Ho A61M 16/08 128/206.21
D602,585	S	10/2009	Blackwell et al.		2008/0054635 A1	3/2008	Skiba et al.
D604,830	S	11/2009	Lithgow et al.		2008/0066756 A1	3/2008	Lang et al.
D606,655	S	12/2009	Wilkinson et al.		2008/0077176 A1	3/2008	Hanlon et al.
D607,107	S	12/2009	McCombs et al.		2008/0105257 A1	5/2008	Klasek et al.
D609,318	S	2/2010	Lam		2009/0025724 A1 *	1/2009	Herron, Jr. A61M 16/0808 128/204.18
D610,250	S	2/2010	Neuner		2009/0044808 A1	2/2009	Guney et al.
D611,593	S	3/2010	Lithgow et al.		2009/0050156 A1	2/2009	Ng et al.
D612,480	S	3/2010	Cork et al.		2009/0123886 A1	5/2009	Vaska
D614,286	S	4/2010	Lithgow et al.		2009/0126817 A1	5/2009	Gray

(56)

References Cited

U.S. PATENT DOCUMENTS

2009/0223514	A1	9/2009	Smith et al.	
2010/0000534	A1	1/2010	Kooij et al.	
2010/0083965	A1	4/2010	Virr et al.	
2010/0116272	A1	5/2010	Row et al.	
2010/0236552	A1	9/2010	Kwok et al.	
2010/0307502	A1*	12/2010	Rummery .....	A61M 16/06 128/205.25
2011/0017212	A1	1/2011	Kenyon et al.	
2011/0023874	A1*	2/2011	Bath .....	A61M 16/0066 128/202.22
2011/0100363	A1	5/2011	Barclay et al.	
2011/0155132	A1	6/2011	Virr et al.	
2011/0180068	A1	7/2011	Kenyon et al.	
2012/0227738	A1*	9/2012	Virr .....	A61M 16/0051 128/204.21
2012/0285454	A1	11/2012	Nibu et al.	
2012/0304994	A1	12/2012	Kwok	
2013/0008440	A1	1/2013	Maurer et al.	
2013/0011823	A1	1/2013	Hassanein et al.	
2013/0206140	A1	8/2013	Kepler et al.	
2013/0239961	A1	9/2013	Ross et al.	
2013/0263854	A1	10/2013	Taylor et al.	
2013/0280055	A1	10/2013	Daly et al.	
2014/0130802	A1	5/2014	Virr et al.	
2014/0202460	A1	7/2014	Bath et al.	
2014/0216459	A1	8/2014	Vos et al.	
2014/0246025	A1	9/2014	Cragg et al.	
2015/0283350	A1*	10/2015	Miller .....	A61M 16/00 128/204.17
2015/0306326	A1*	10/2015	Graham .....	A61M 16/0463 128/202.16
2015/0306332	A1*	10/2015	Bafle .....	A61M 16/0666 128/202.27
2015/0335851	A1	11/2015	Cullen et al.	
2015/0359989	A1	12/2015	Potharaju et al.	

FOREIGN PATENT DOCUMENTS

EM	001312953-0003	3/2012
EM	001312953-0004	3/2012
EM	001312953-0005	3/2012
EP	2 703 034 A2	8/2013
GB	1030840	5/1966
WO	WO 98/04310 A1	2/1998
WO	WO 98/34665 A1	8/1998
WO	WO 00/78381 A1	12/2000
WO	WO 2004/073778 A1	9/2004
WO	WO 2005/063328 A1	7/2005

WO	WO 2006/019323 A1	2/2006
WO	WO 2006/074513 A1	7/2006
WO	WO 2006/130903 A1	12/2006
WO	WO 2006/133480 A1	12/2006
WO	WO 2008/095245 A1	8/2008
WO	WO 2009/052560 A1	4/2009
WO	WO 2009/077045 A1	6/2009
WO	WO 2010/031126 A1	3/2010
WO	WO 2010/135785 A1	12/2010
WO	WO 2011/056080 A1	5/2011
WO	WO 2012/160477 A1	11/2012
WO	WO 2012/171072 A1	12/2012
WO	WO 2013/020167 A1	2/2013

OTHER PUBLICATIONS

Office Action mailed Dec. 3, 2014 in U.S. Appl. No. 29/456,458 (7 pages).

Office Action mailed Nov. 7, 2014 in Design U.S. Appl. No. 29/482,519 (5 pages).

ResMed S9™ Series, No Other Sleep Therapy System Delivers, 2010 (12 pages).

Philips Respironics, System One Sleep Therapy System, May 2012 (2 pages).

Fisher & Paykel Healthcare, Icon Brochure, 2010 (2 pages).

Fisher & Paykel, Icon User Manual, Jan. 2010 (214 pages).

U.S. Appl. No. 29/456,458, May 2013, Formica et al.

U.S. Appl. No. 29/502,152, Sep. 2014, Bertinetti et al.

U.S. Appl. No. 29/480,971, Jan. 2014, Desvoyes et al.

U.S. Appl. No. 29/482,519, Feb. 2014, Bath et al.

U.S. Appl. No. 29/482,541, Feb. 2014, Verma et al.

U.S. Appl. No. 29/485,313, Mar. 3014, Formica et al.

U.S. Appl. No. 29/492,344, May 2014, Bertinetti et al.

U.S. Appl. No. 61/838,971, Jun. 2013, Huby et al.

U.S. Appl. No. 61/987,245, May 2014, Foote et al.

Office Action mailed Jan. 20, 2016 in U.S. Appl. No. 29/515,282 (7 pages).

Office Action mailed Jan. 29, 2016 in U.S. Appl. No. 12/461,967 (30 pages).

West, "Respiratory Physiology", Lippincott Williams & Wilkins, 9th edition published 2012, 8 pages.

"BalContact Springs Current Carrying Contact Elements DM-7, BalContact Advantages", Bal Seal Canted Coil Spring Catalog, Report No. 621-9, 2003, Bal Seal Engineering Company, Inc., 27 pages.

Row et al., Design U.S. Appl. No. 29/311,222, filed Jan. 22, 2009.

Virr et al., Design U.S. Appl. No. 29/311,183, filed Jan. 12, 2009.

Design U.S. Appl. No. 29/443,523, filed Jan. 18, 2013.

\* cited by examiner

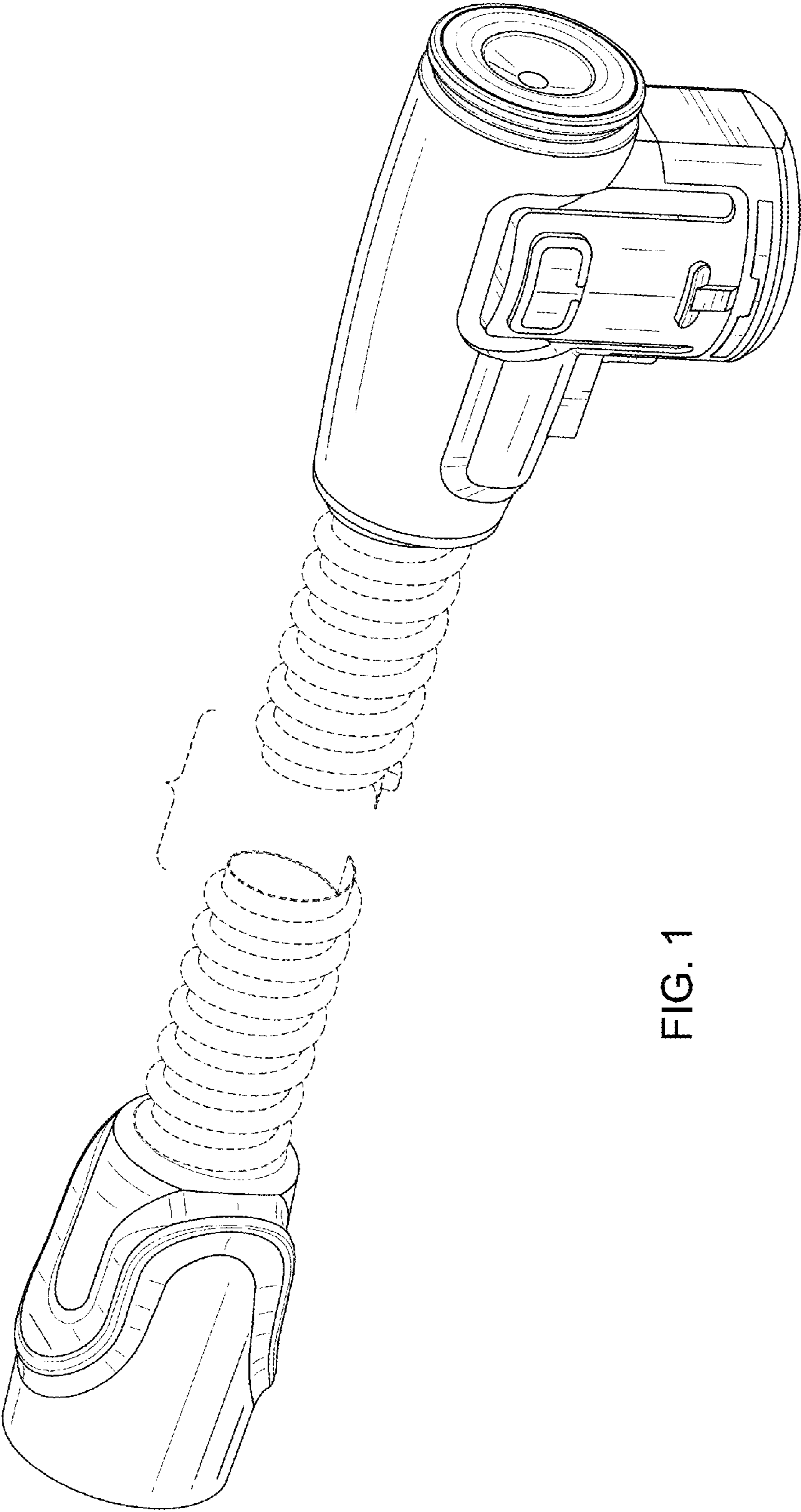


FIG. 1

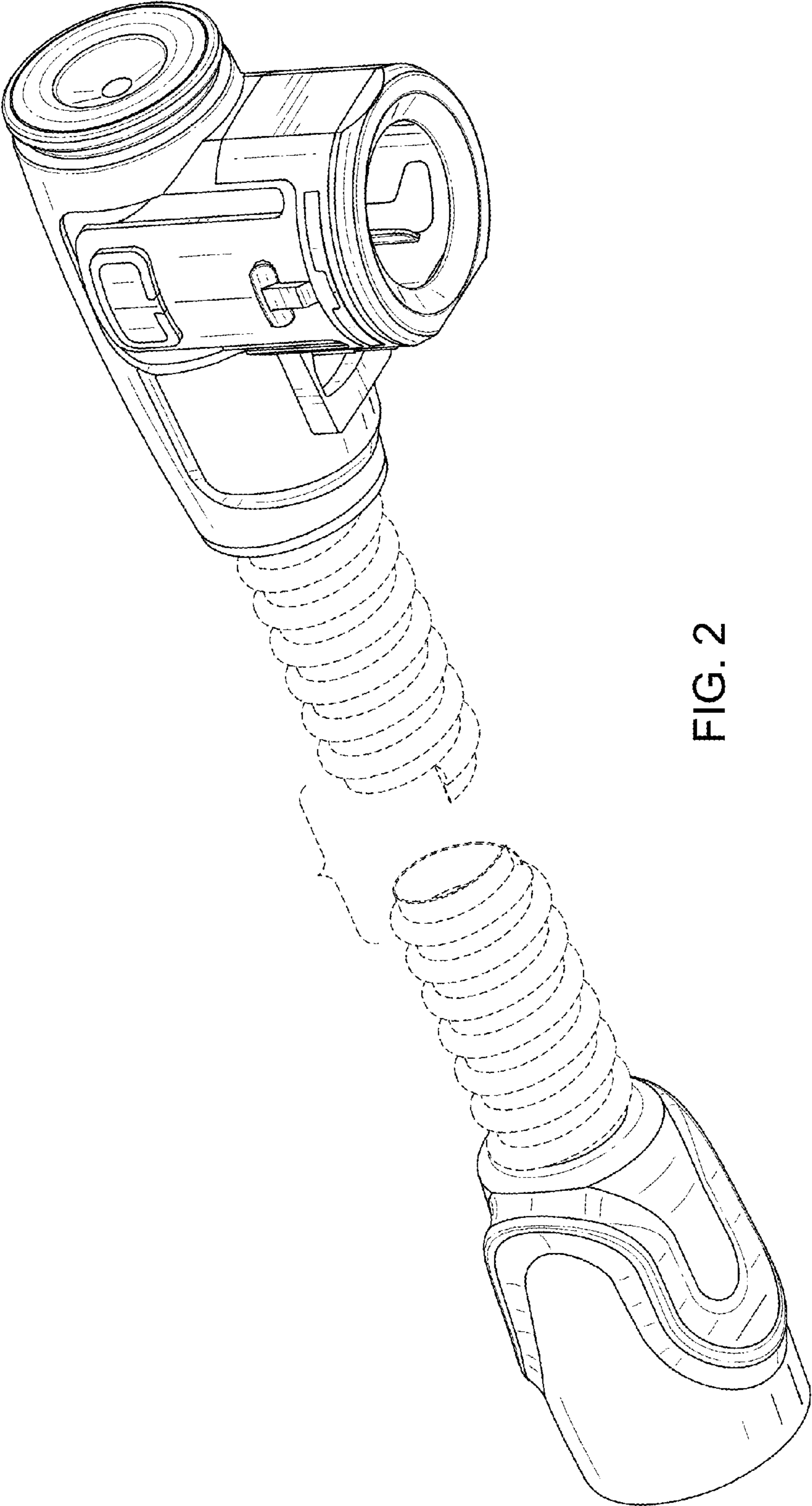


FIG. 2

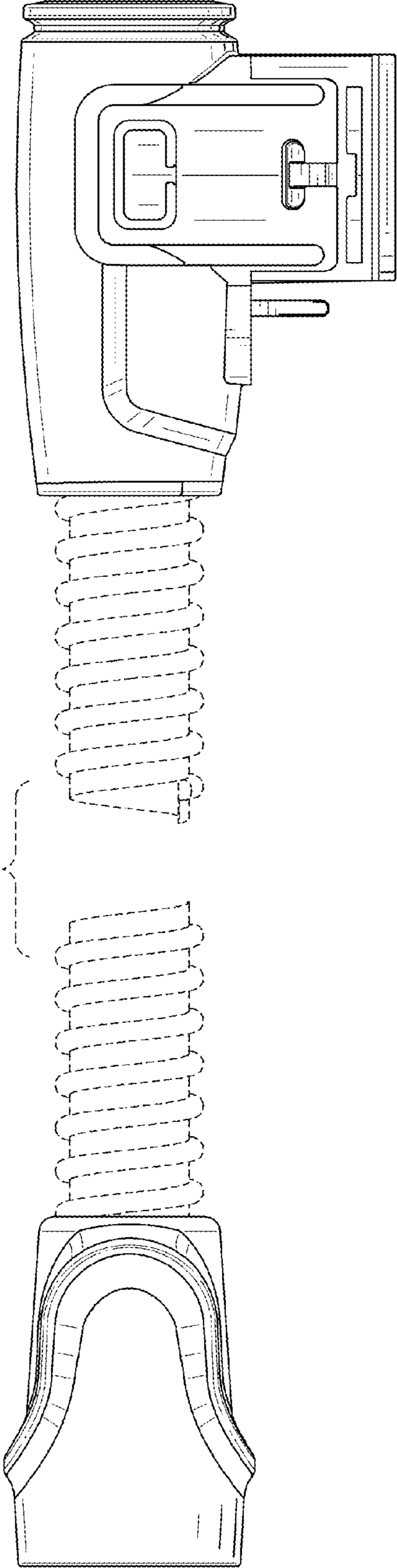


FIG. 3

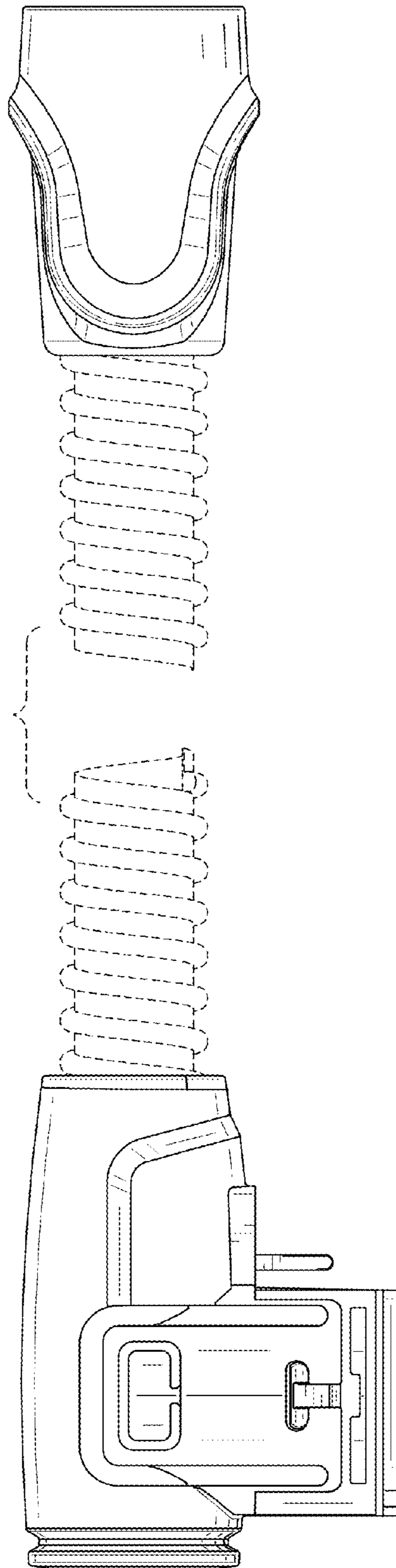


FIG. 4

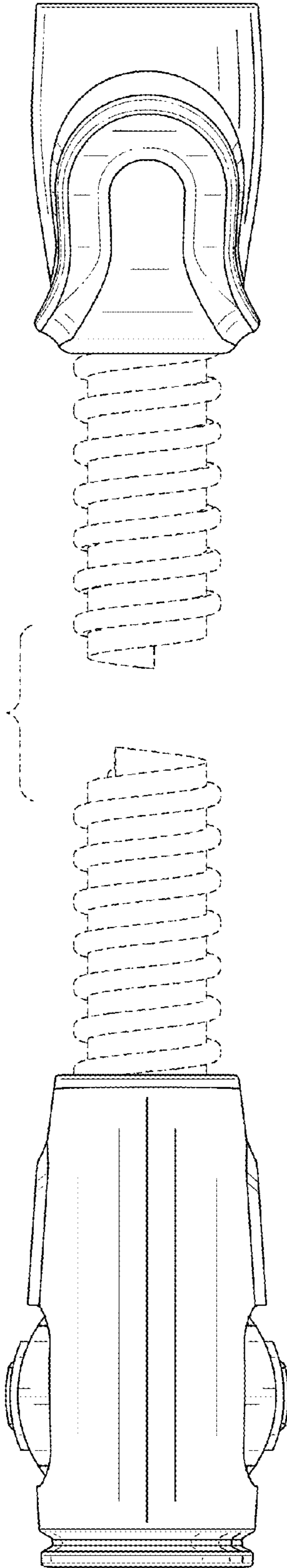


FIG. 5



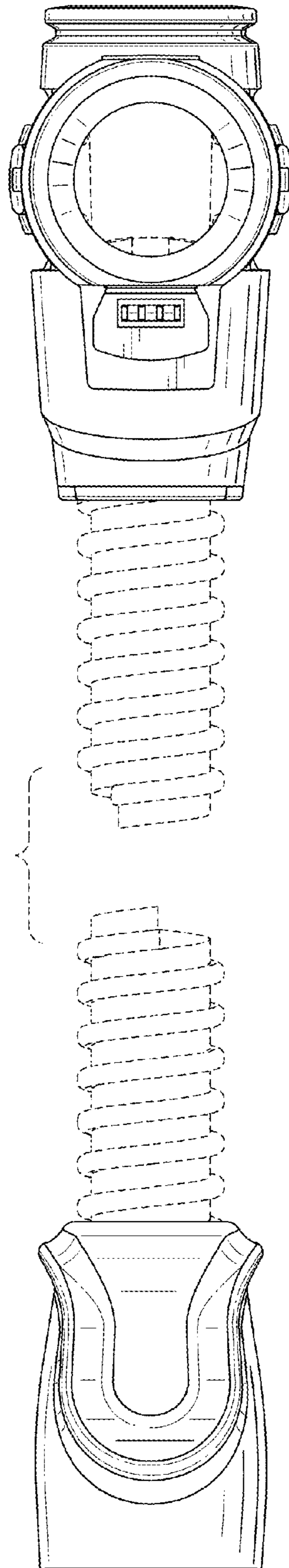


FIG. 6

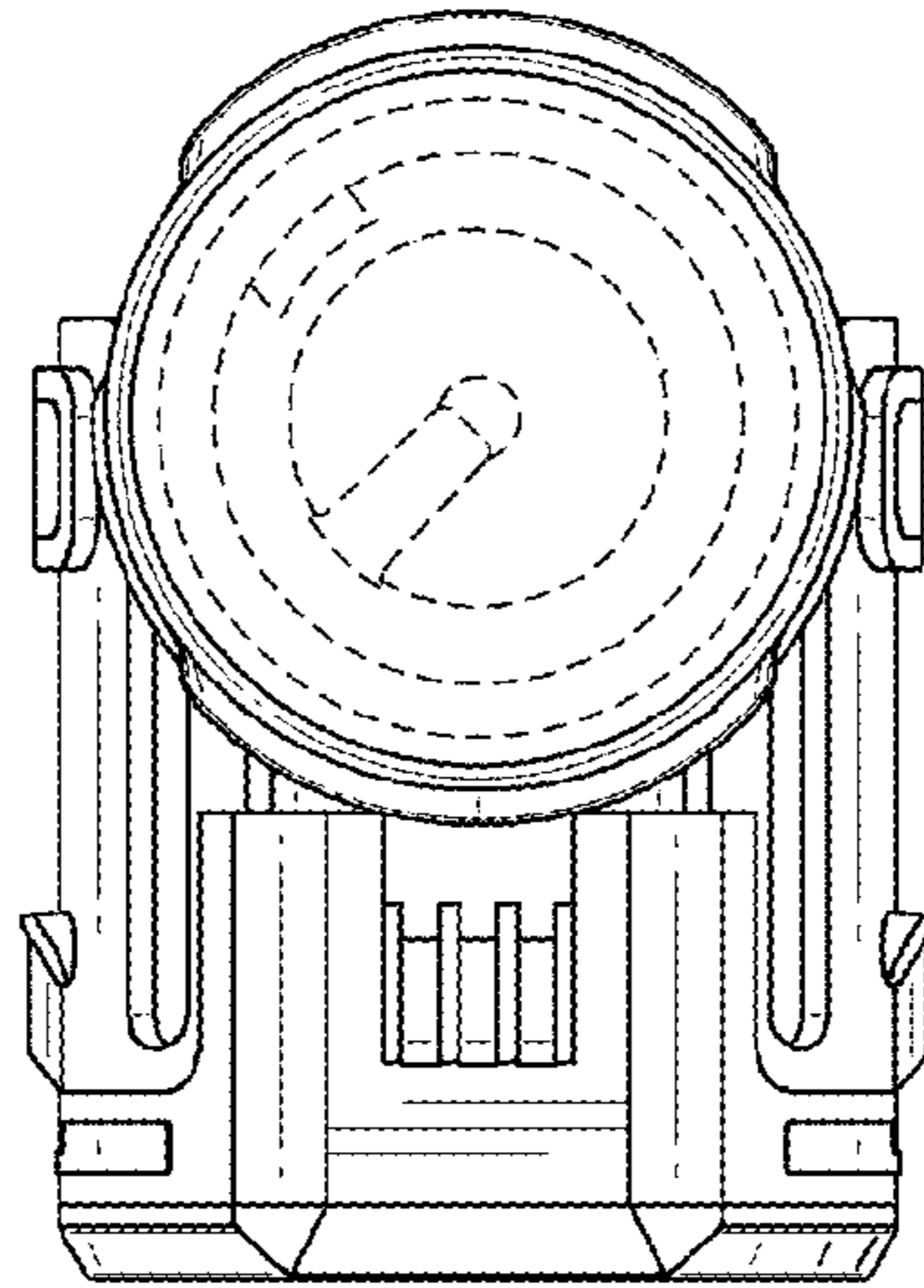


FIG. 7

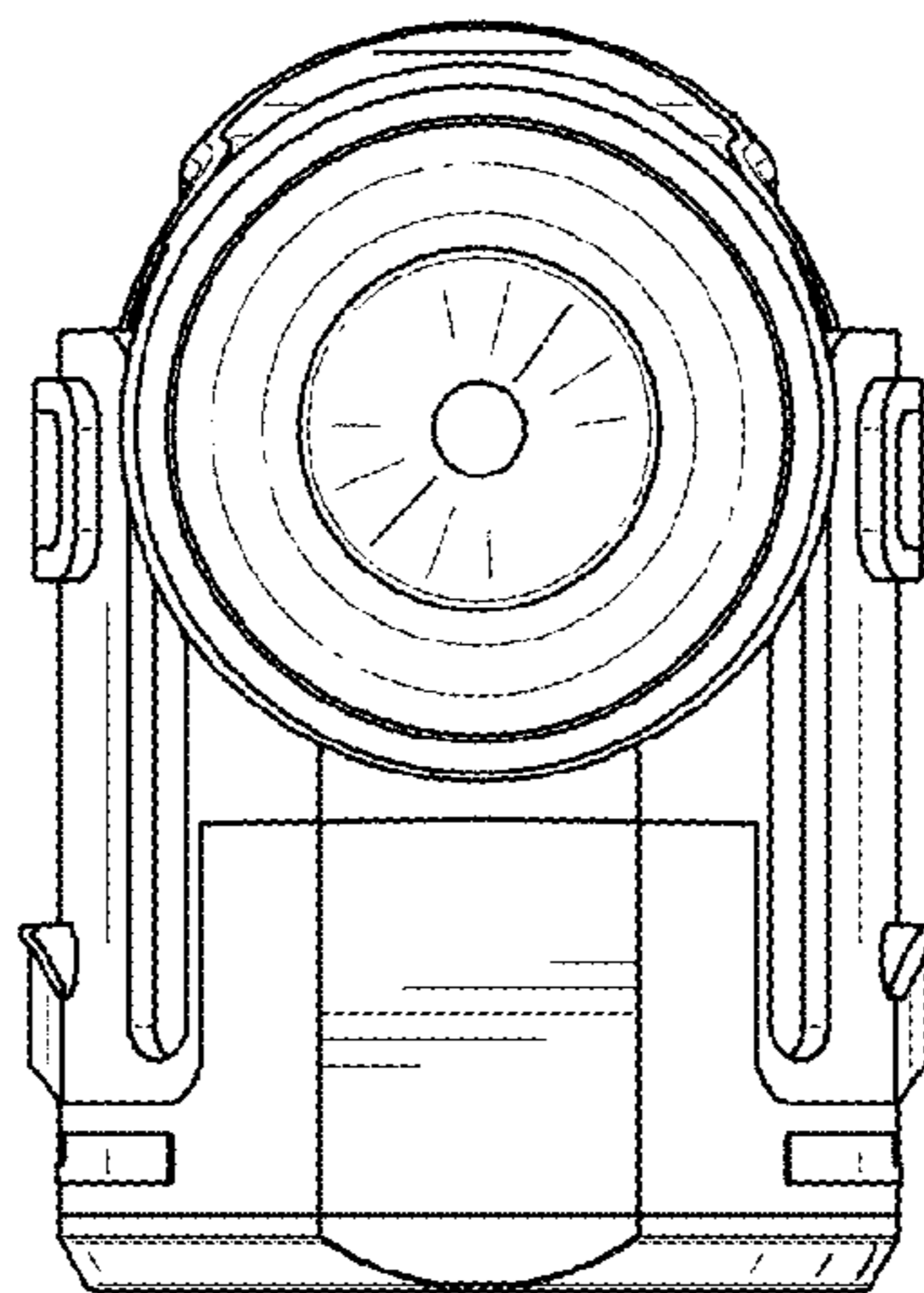


FIG. 8

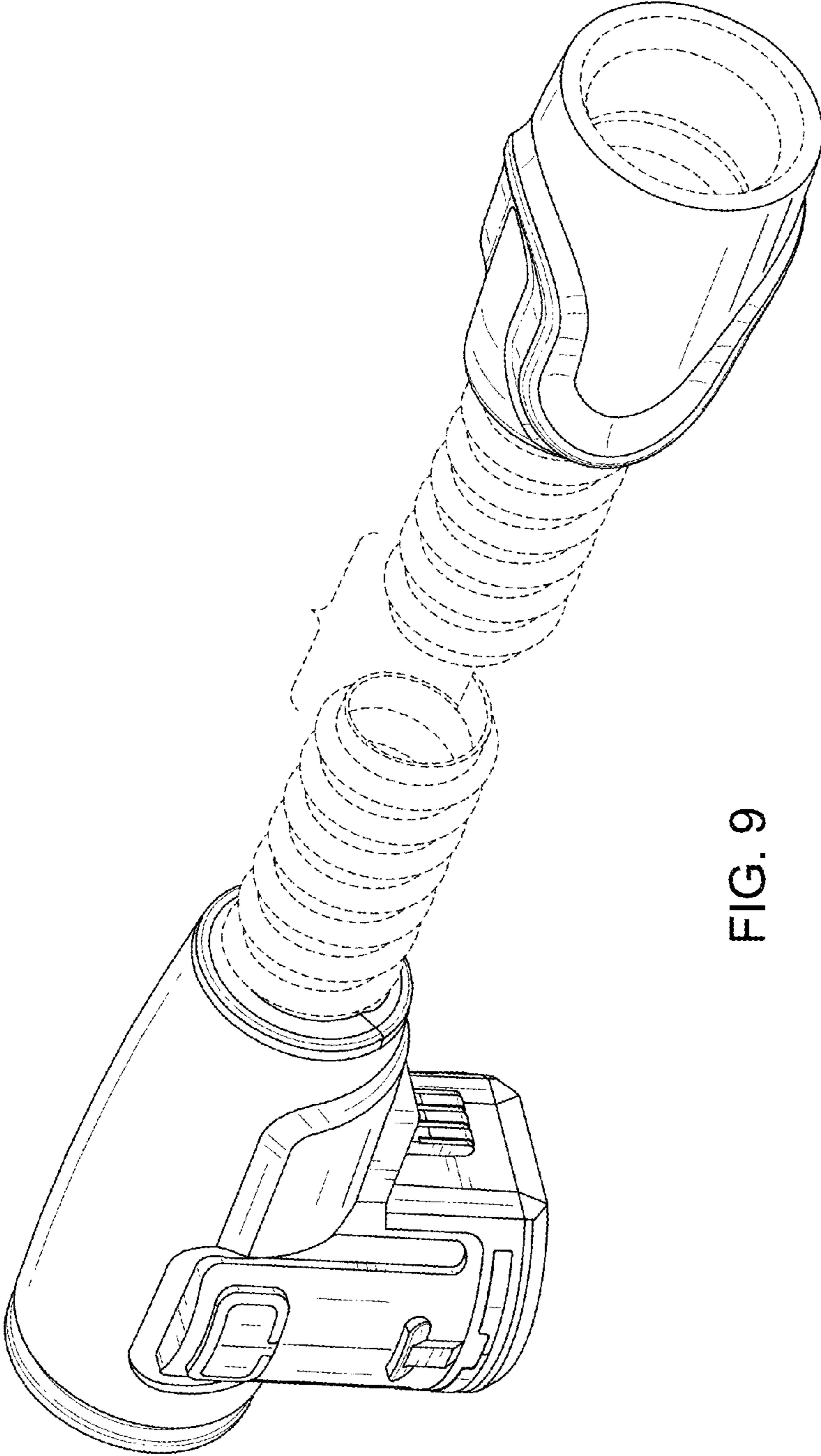


FIG. 9

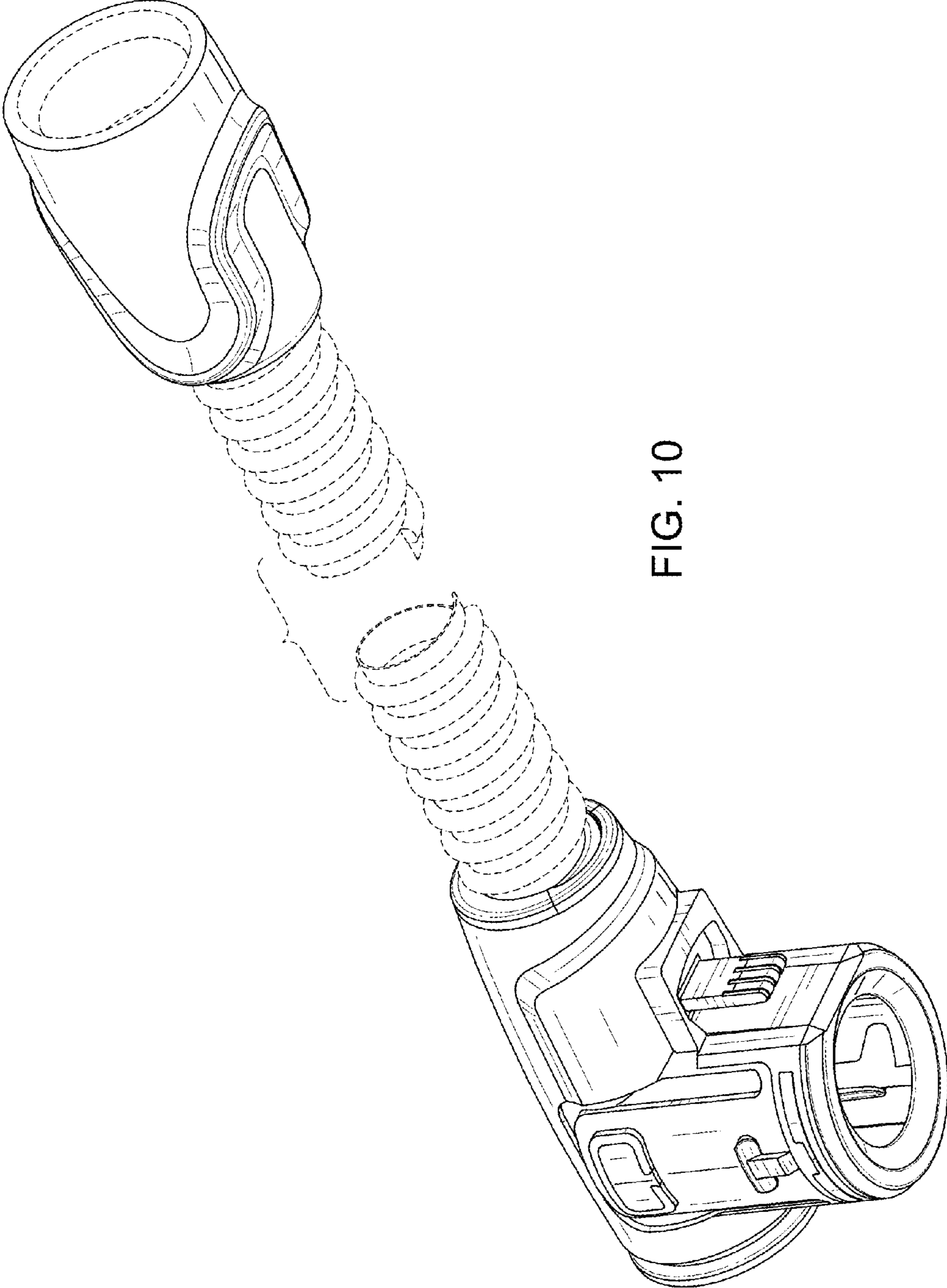


FIG. 10

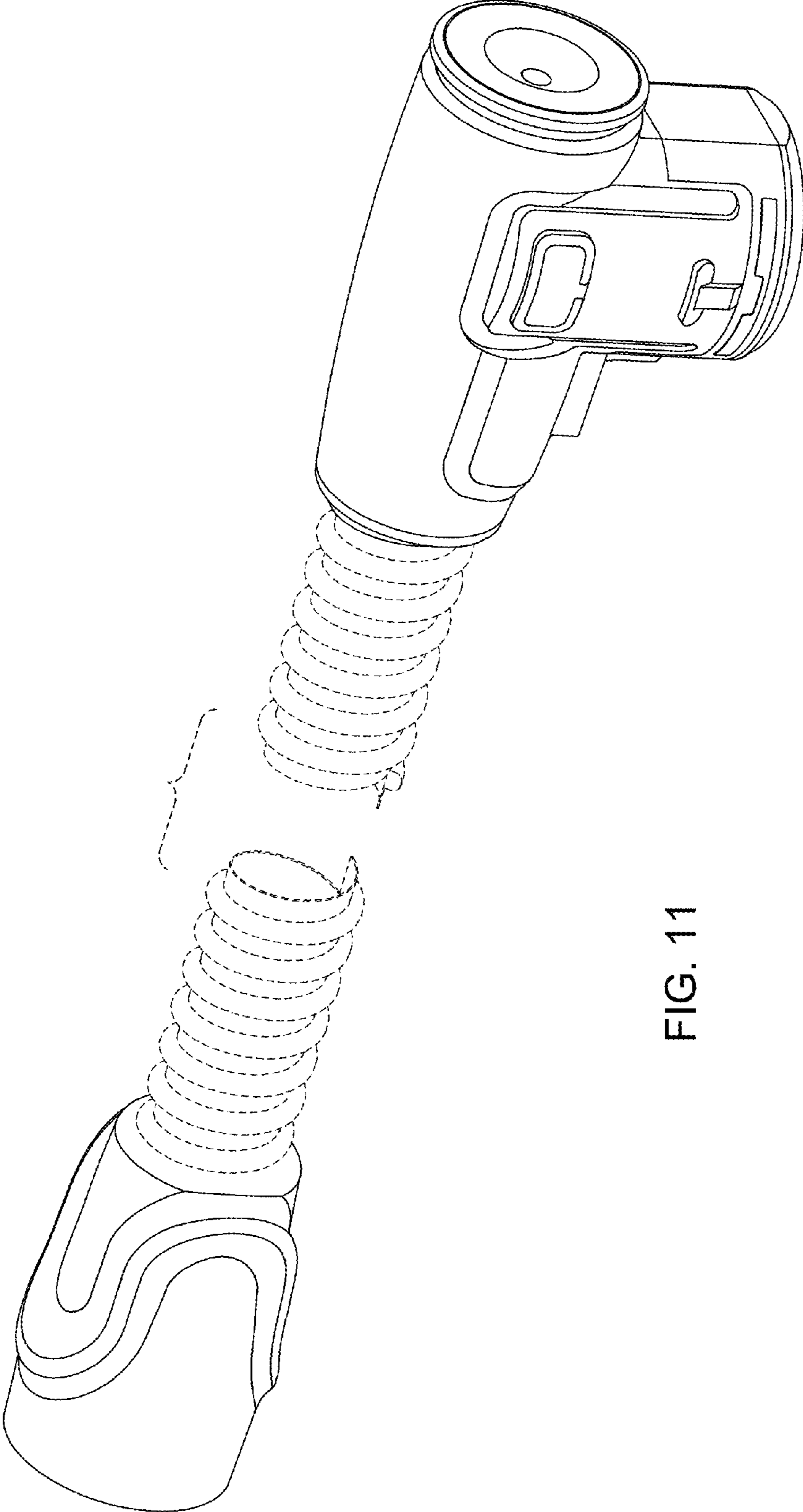


FIG. 11

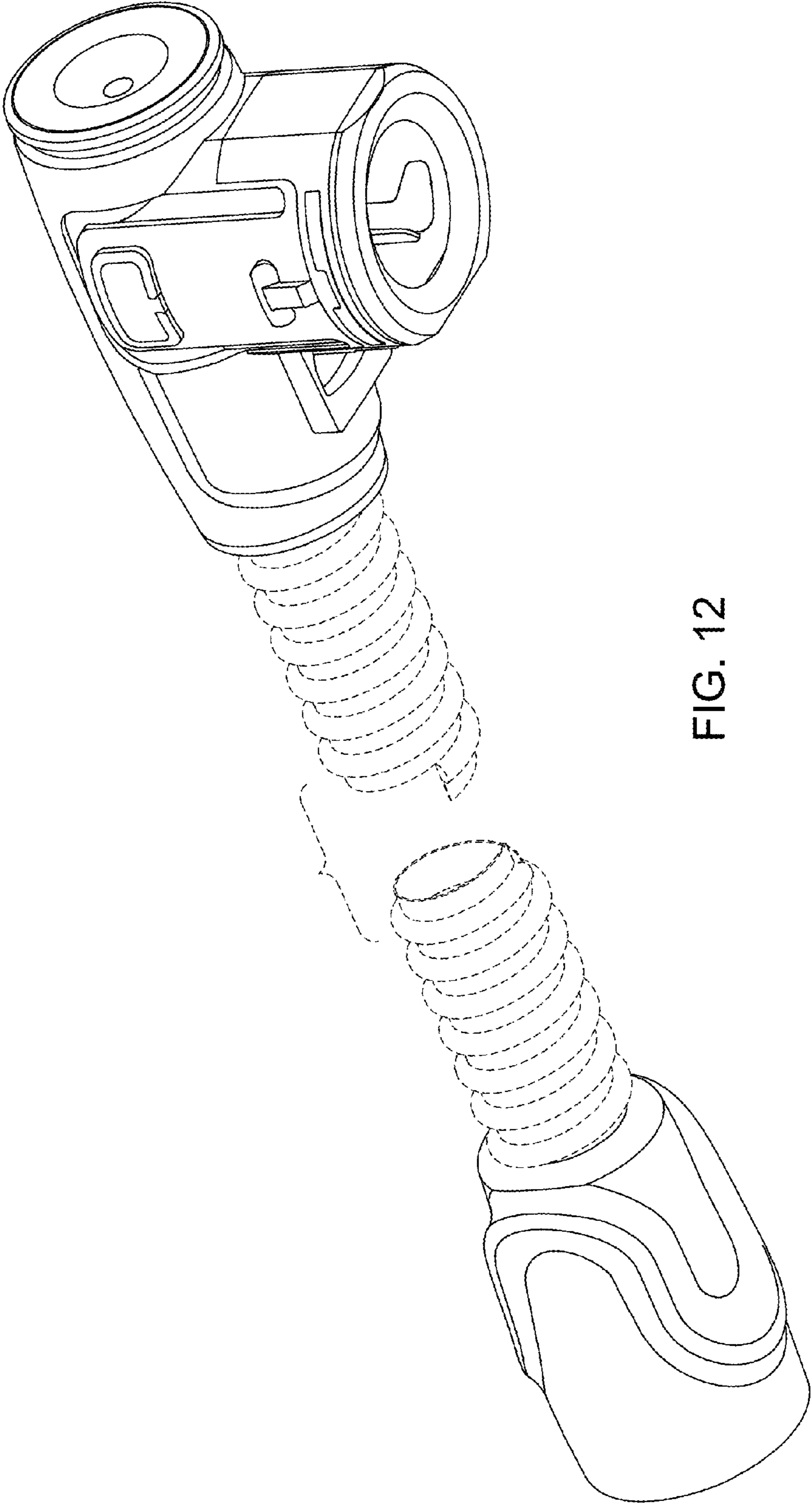


FIG. 12

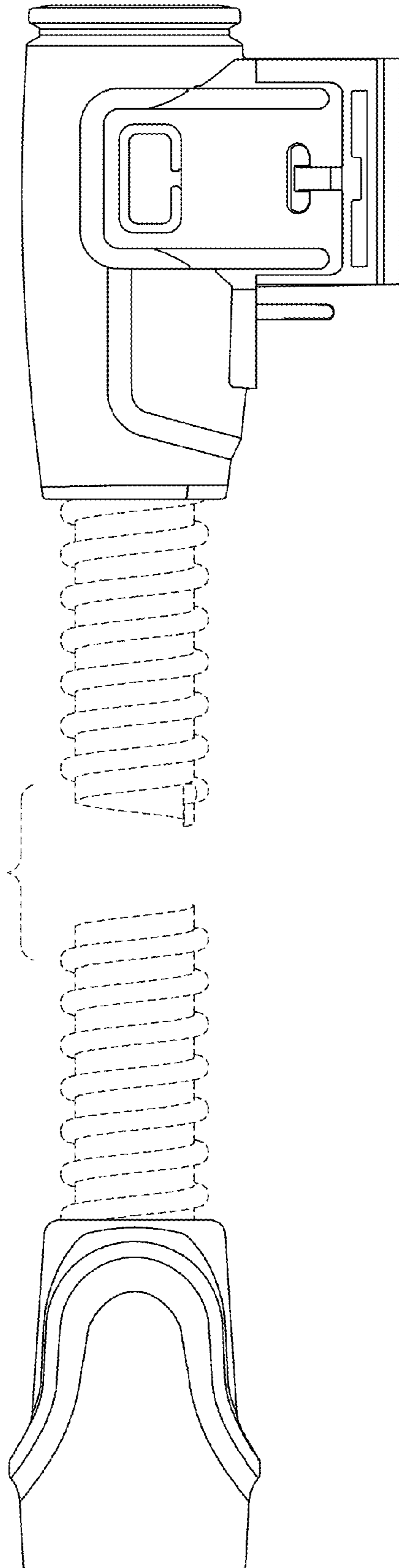


FIG. 13

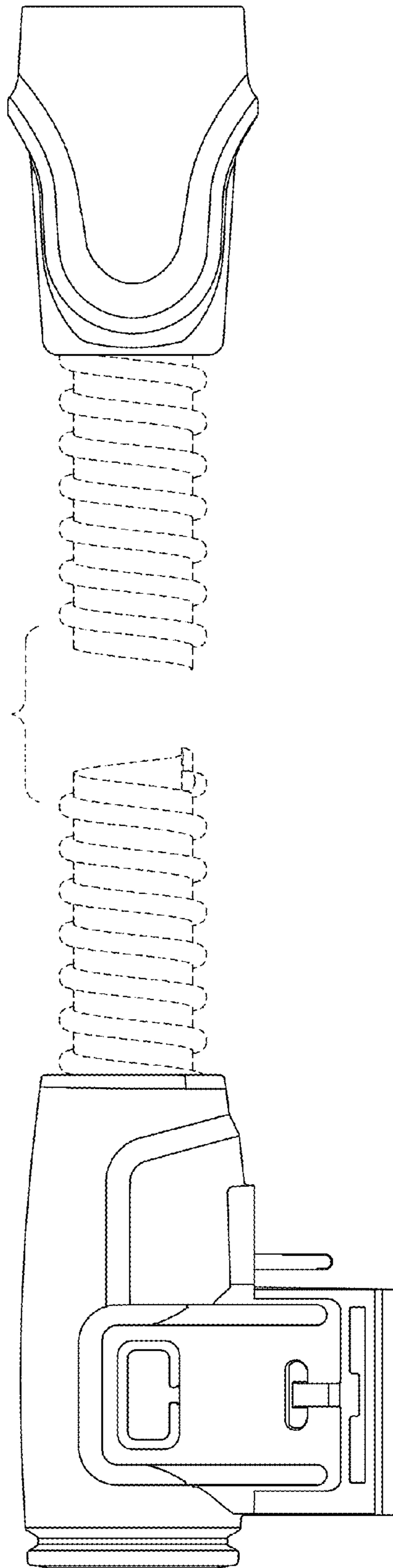


FIG. 14



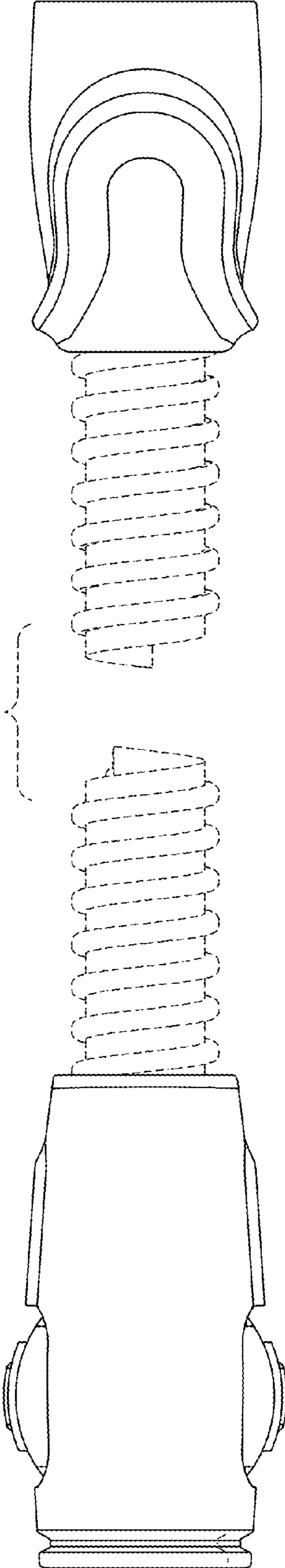


FIG. 15

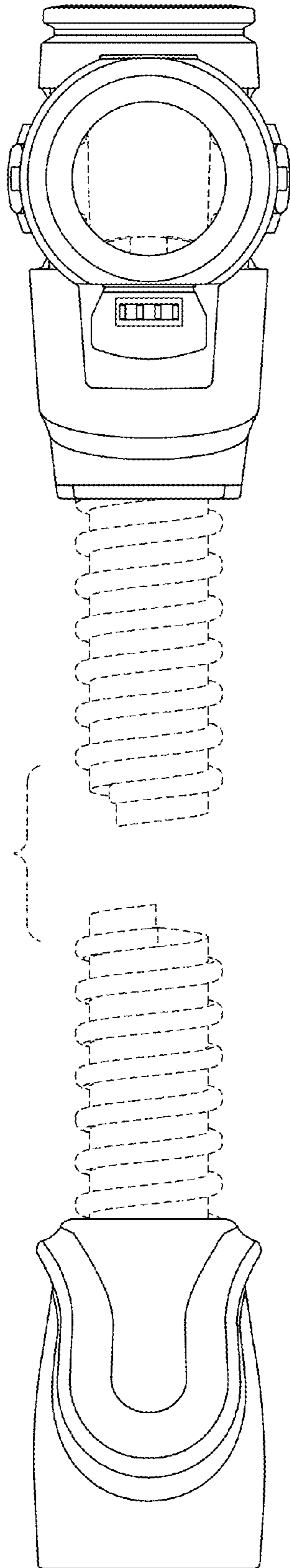


FIG. 16

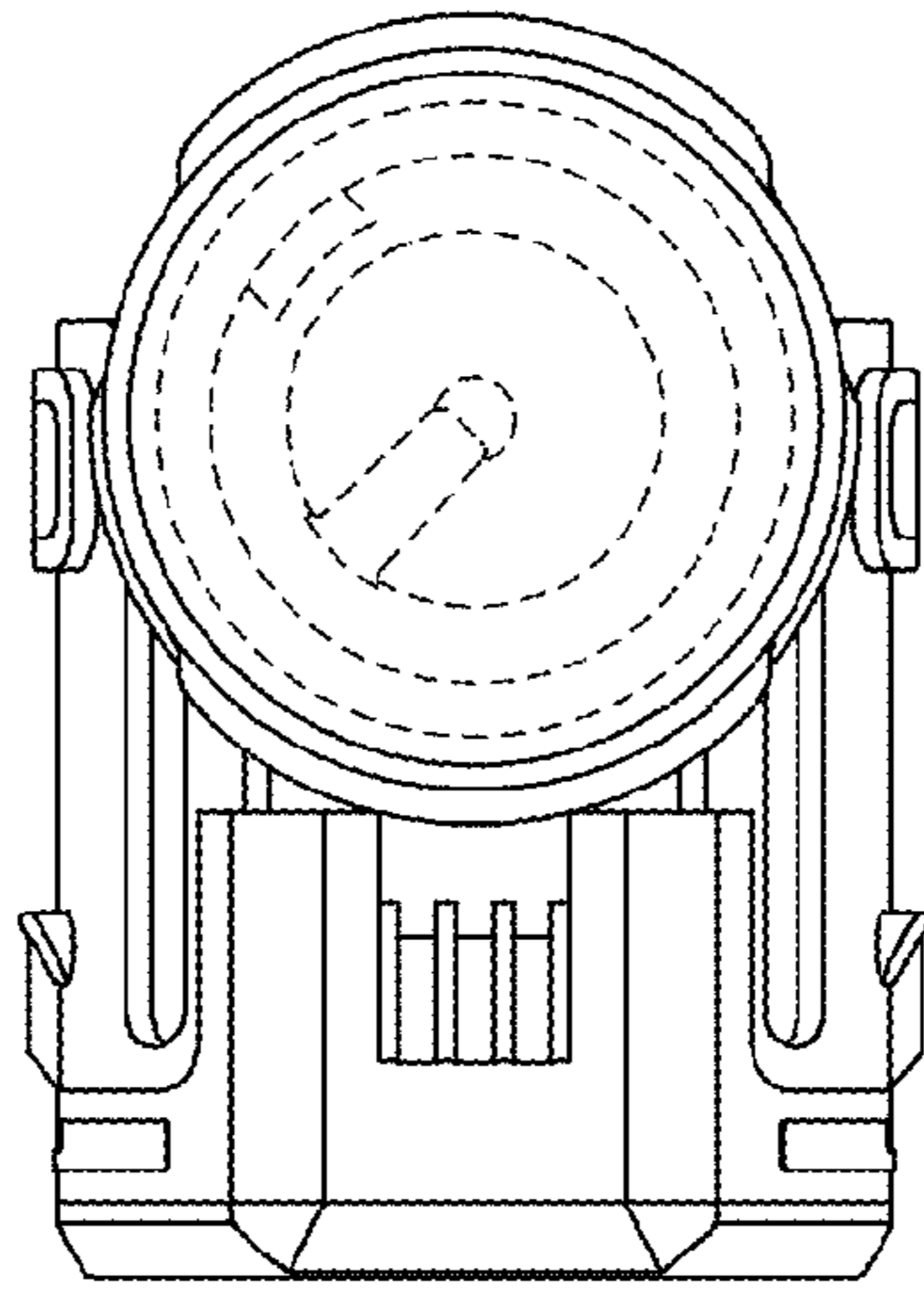


FIG. 17

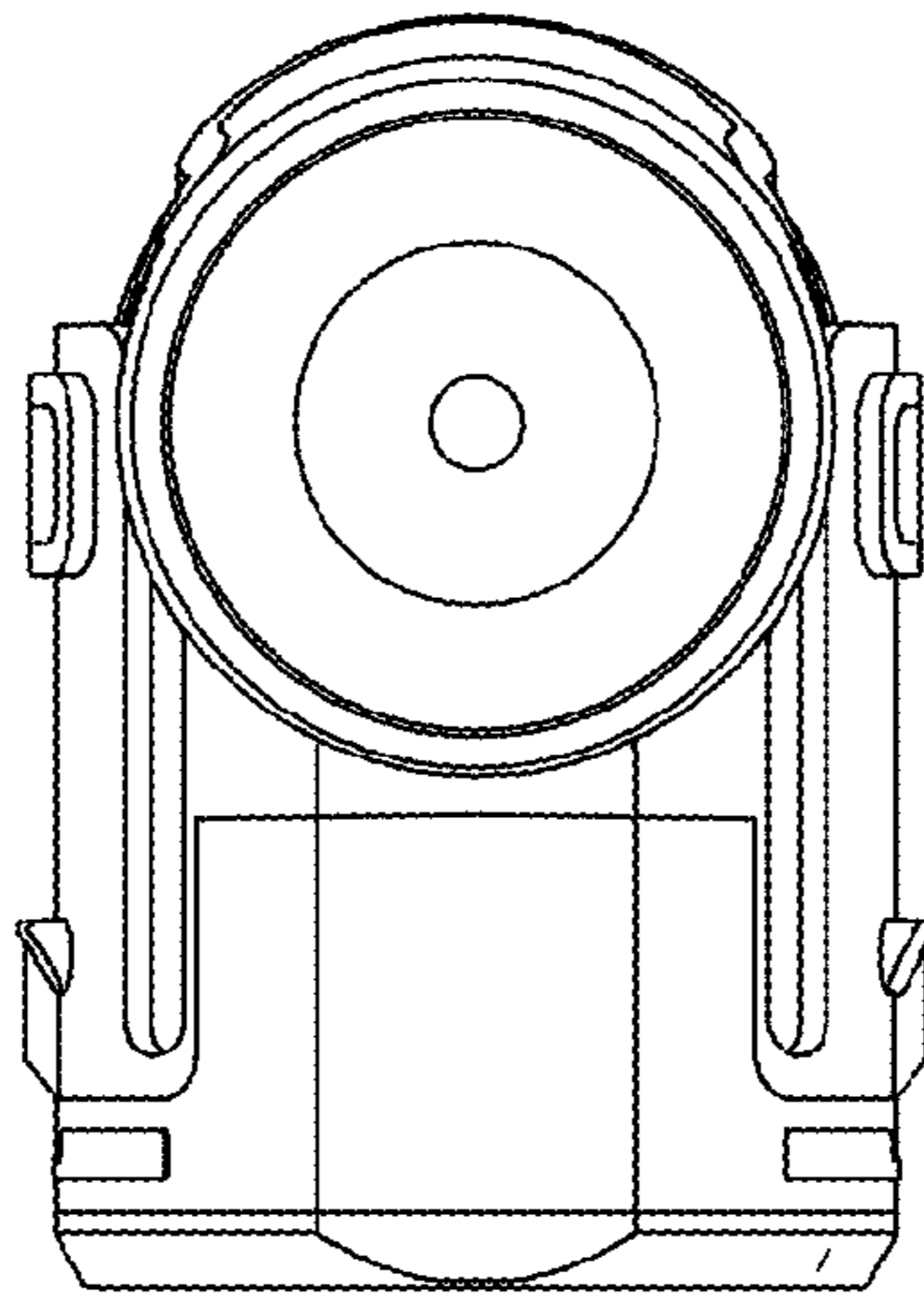


FIG. 18

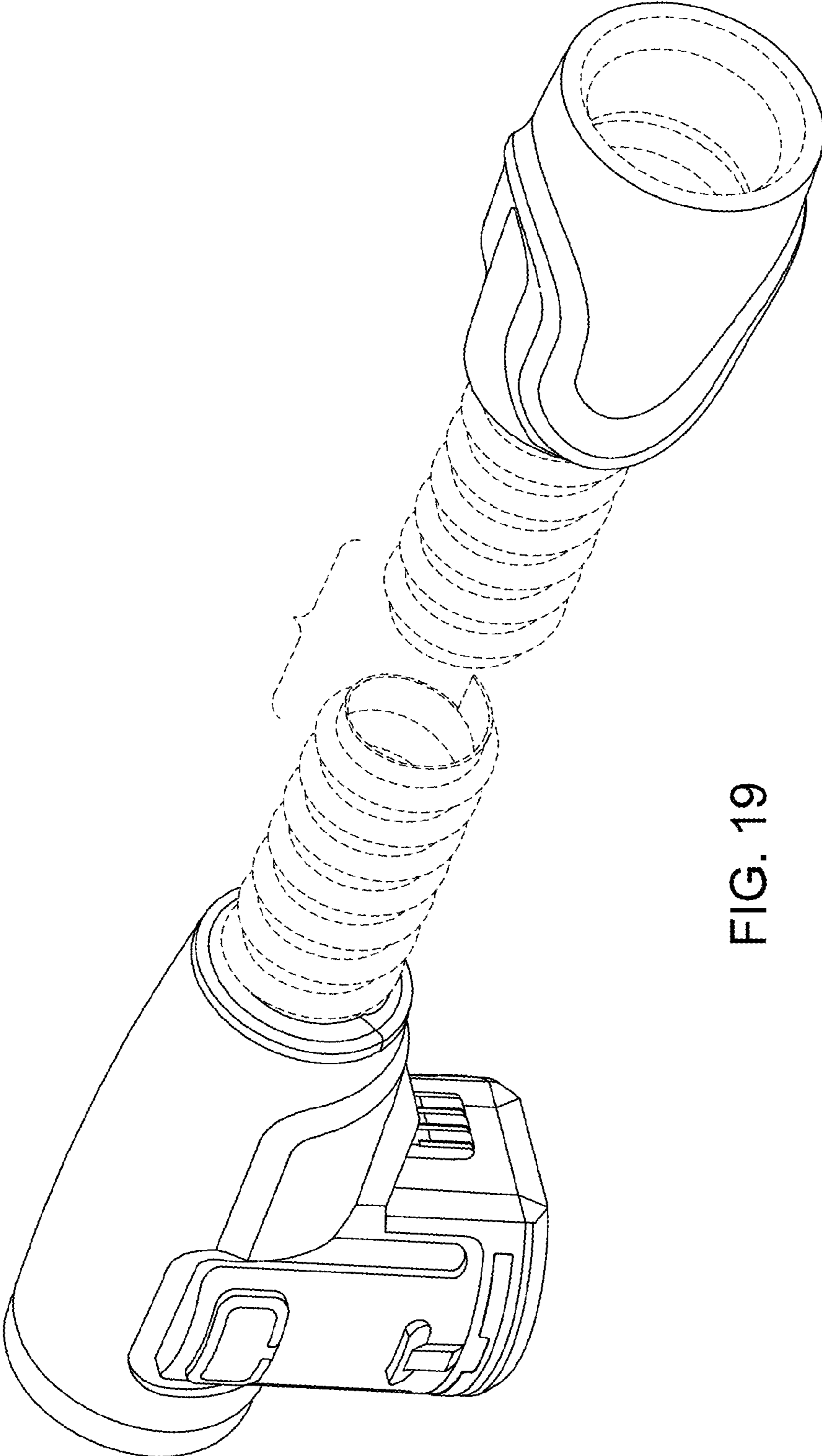


FIG. 19

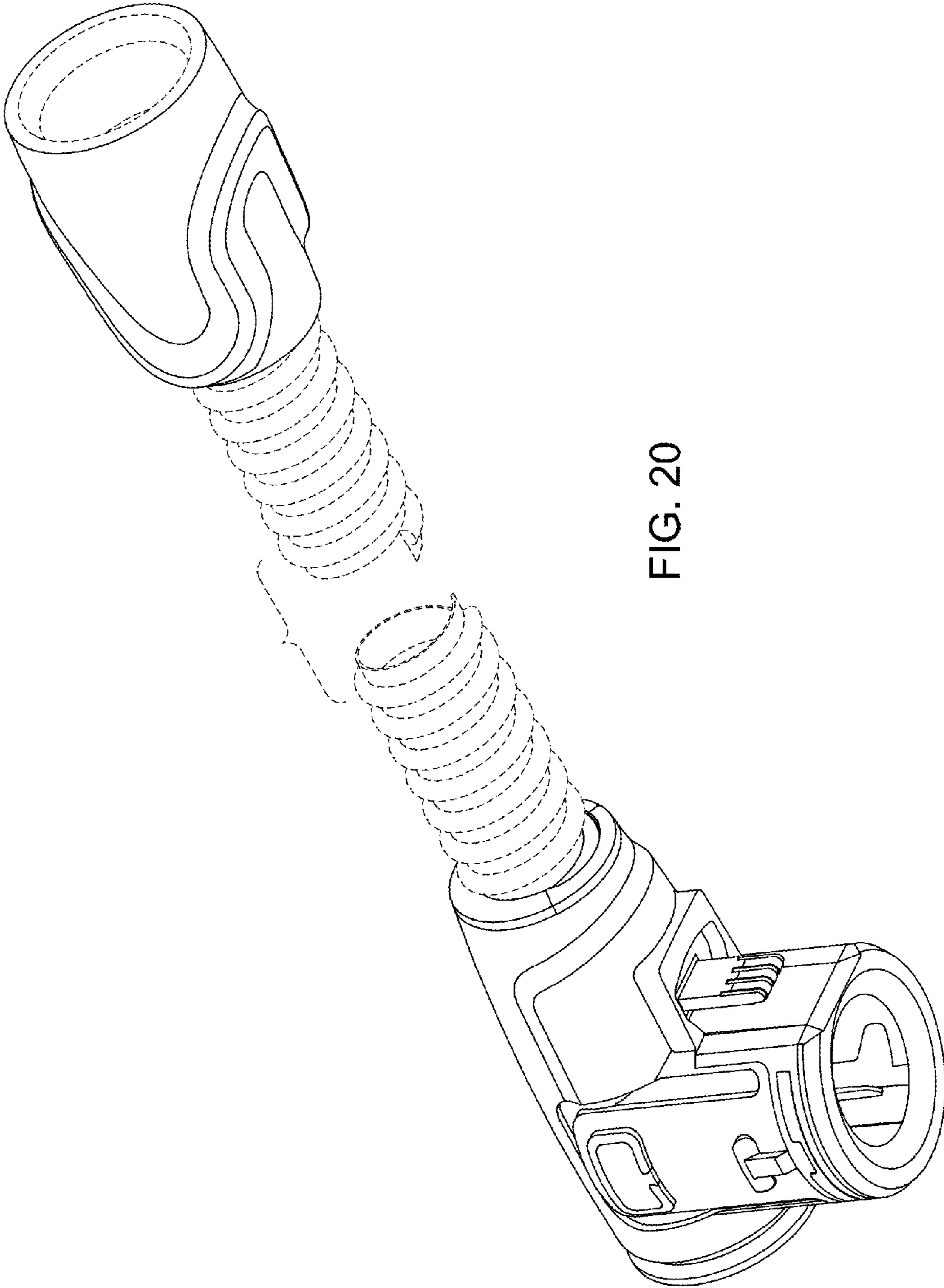


FIG. 20