



US00D762842S

(12) **United States Design Patent**  
**Kokeny et al.**

(10) **Patent No.:** **US D762,842 S**  
(45) **Date of Patent:** **\*\* Aug. 2, 2016**

(54) **BURNER CONTROLLER**

- (71) Applicant: **Honeywell International Inc.**,  
Morristown, NJ (US)
- (72) Inventors: **Radovan Kokeny**, Medlov (CZ);  
**Virginie Turcotte**, Montreal (CA);  
**Stephane Joseph Pierre Beland**,  
St-Jean-sur-Richelieu (CA)
- (73) Assignee: **Honeywell International Inc.**, Morris  
Plains, NJ (US)

(\*\*) Term: **14 Years**

(21) Appl. No.: **29/495,655**

(22) Filed: **Jul. 2, 2014**

(51) **LOC (10) Cl.** ..... **23-04**

(52) **U.S. Cl.**  
USPC ..... **D23/421**

(58) **Field of Classification Search**  
USPC ..... D23/370–385, 411–414, 499, 421, 59;  
392/360–364; 416/5, 170 R, 93 R,  
416/210 R, 223 R, 207  
CPC ..... F04D 29/34; F04D 29/38; F04D 25/088  
See application file for complete search history.

(56) **References Cited**

**U.S. PATENT DOCUMENTS**

D271,792 S	*	12/1983	Stancliffe	.....	D23/343
D290,498 S	*	6/1987	Beane	.....	D23/342
D528,444 S	*	9/2006	Horie	.....	D10/49
D573,248 S	*	7/2008	Ryan	.....	D23/418
D578,027 S	*	10/2008	Bray	.....	D10/50
D640,365 S		6/2011	Kennedy et al.		
D692,096 S		10/2013	Fukano et al.		

**OTHER PUBLICATIONS**

- Johnson Controls, "System 450(TM) Series Modular Controls,"  
Johnson Controls, Inc., Jul. 24, 2012, 8 pages. Code No. LIT-  
1900549.
- Siemens Building Technologies, Inc., "Modular Building Control-  
ler," 2003, 9 pages. Document No. 149-251P25.
- Google, "Modular Burner Controller—Google Image Search,"  
Downloaded Sep. 2, 2014, 25 pages.
- Google, "Module Burner control—Google Image Search" Down-  
loaded Sep. 2, 2014, 22 pages.

\* cited by examiner

*Primary Examiner* — Sandra Snapp

(74) *Attorney, Agent, or Firm* — Seager, Tufte & Wickhem,  
LLP

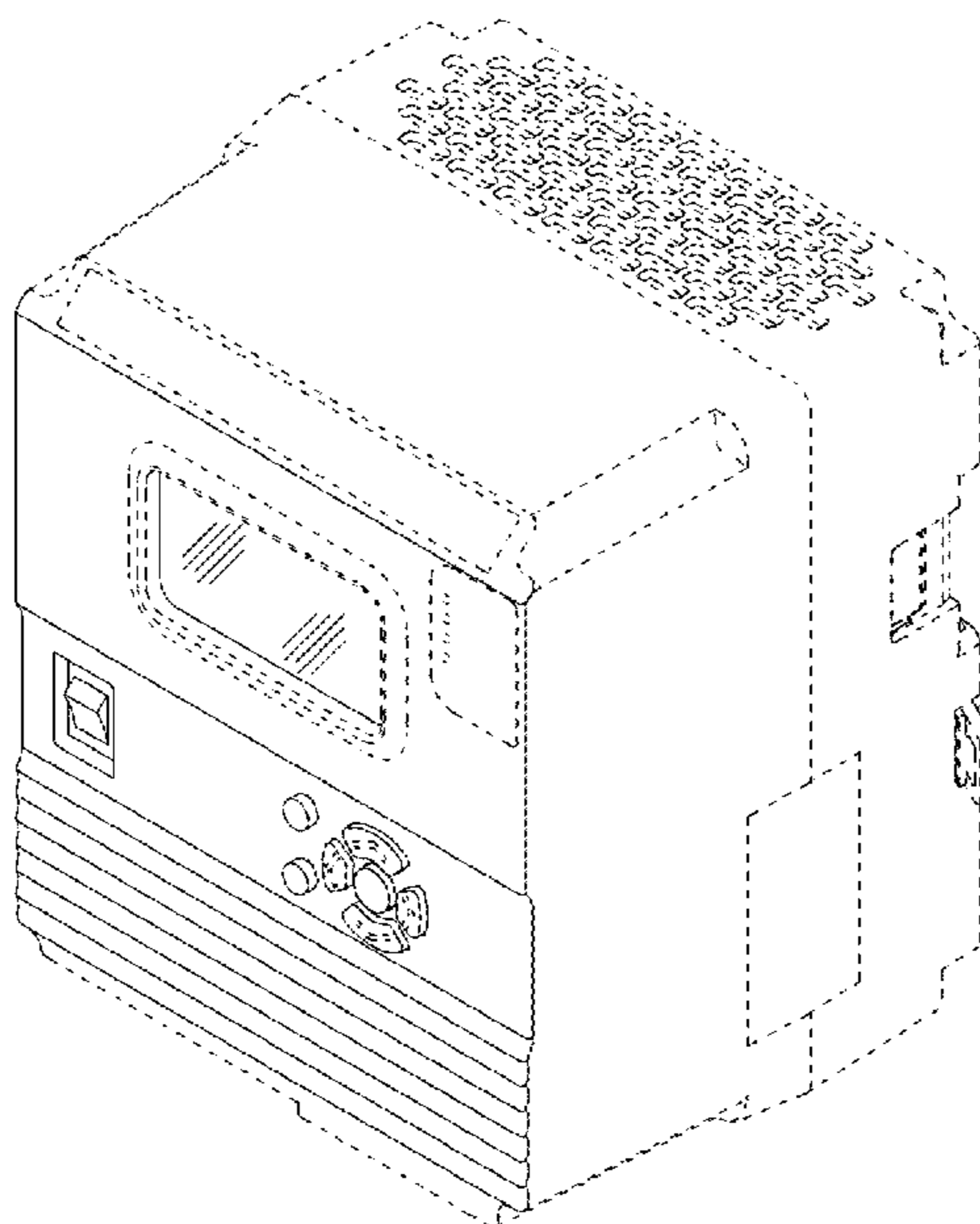
(57) **CLAIM**

The ornamental design for a burner controller, as shown and  
described.

**DESCRIPTION**

FIG. 1 is a perspective view of a burner control of the present  
invention;  
FIG. 2 is a front side view of the burner control of FIG. 1;  
FIG. 3 is a right side view of the burner control of FIG. 1;  
FIG. 4 is a left side view of the burner control of FIG. 1;  
FIG. 5 is a top side view of the burner control of FIG. 1; and,  
FIG. 6 is a bottom side view of the burner control of FIG. 1.  
The portions illustrated in broken lines on the figures are for  
illustrative purposes only and form no part of the claimed  
design.

**1 Claim, 6 Drawing Sheets**



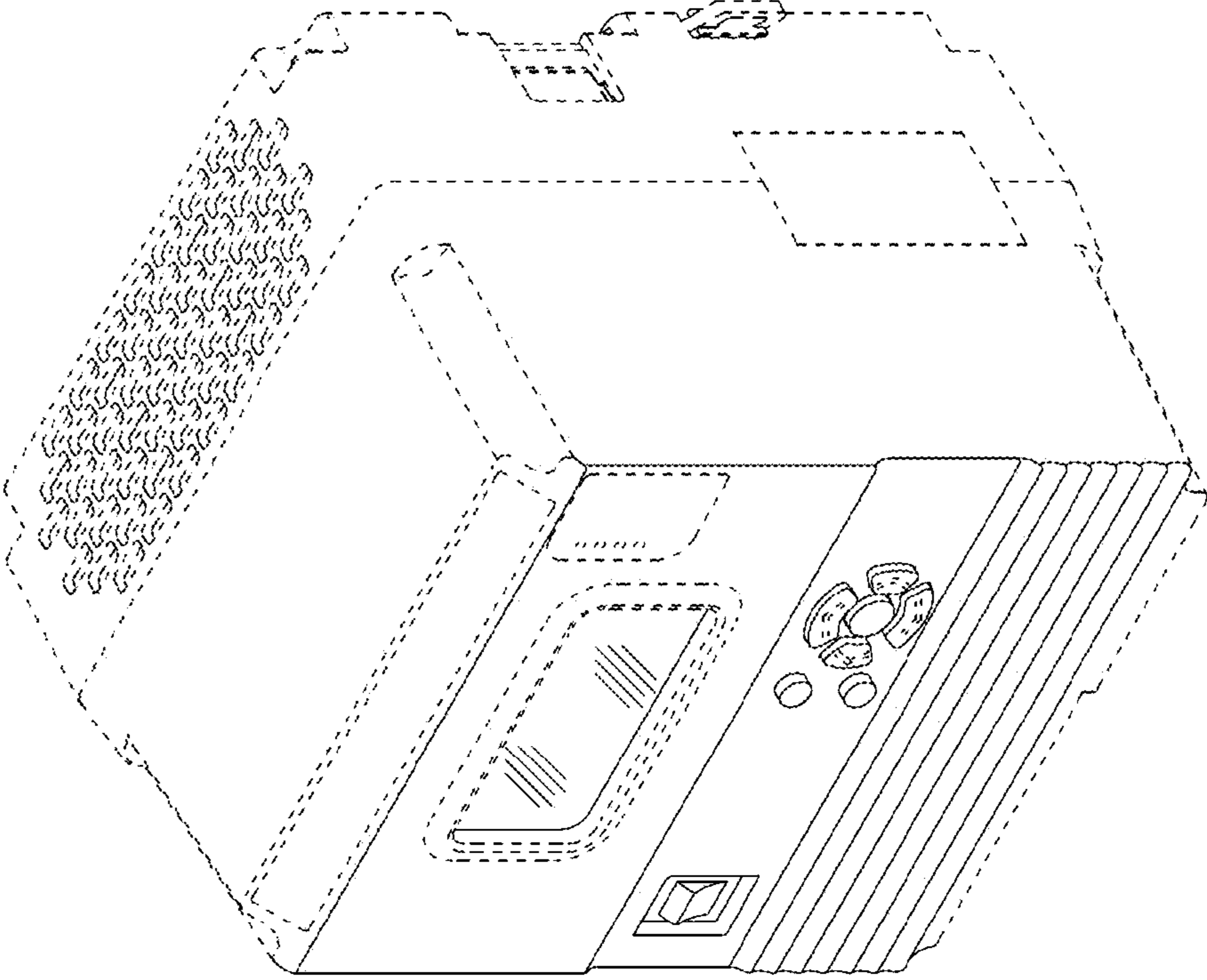


FIG. 1

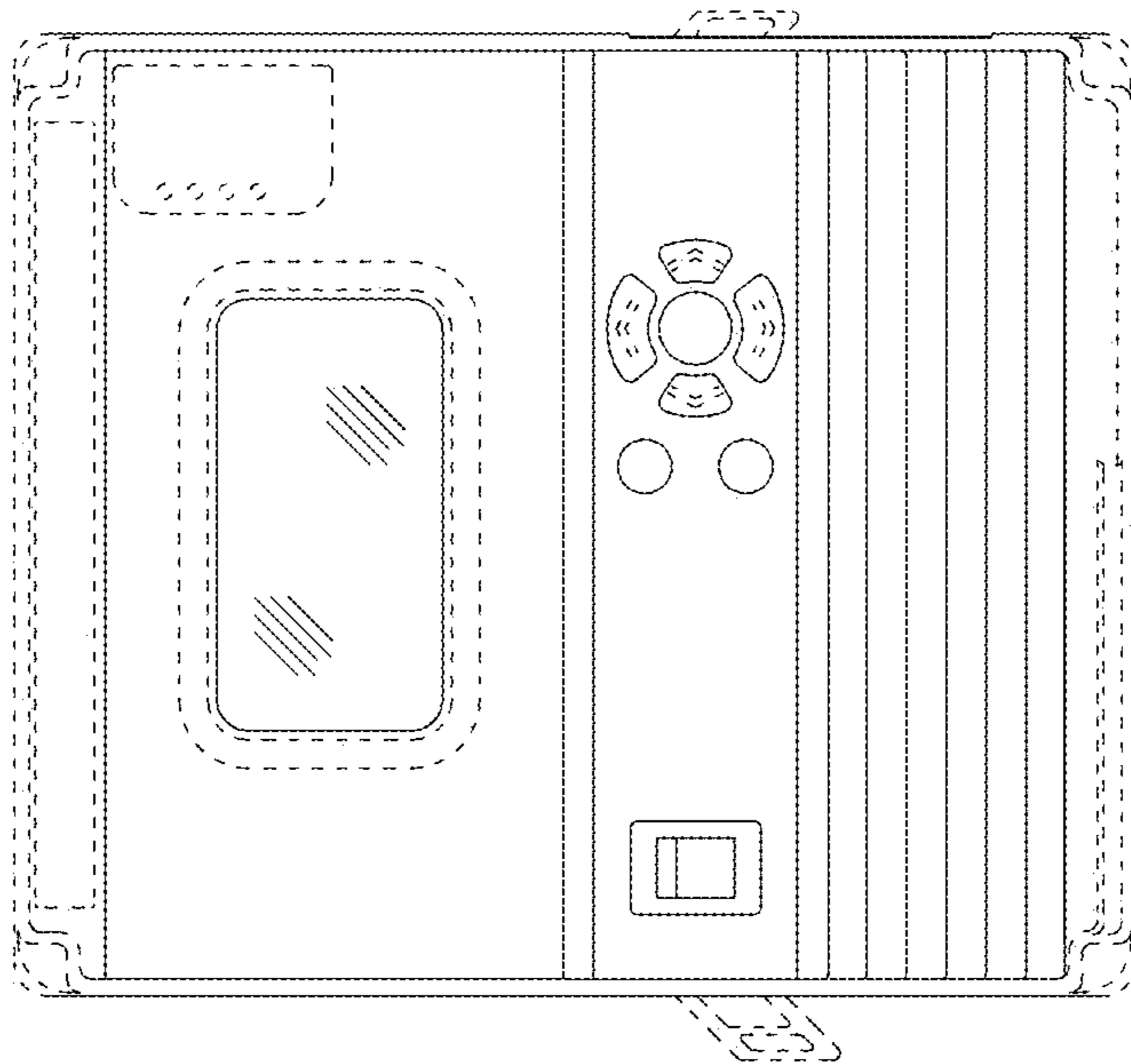


FIG. 2

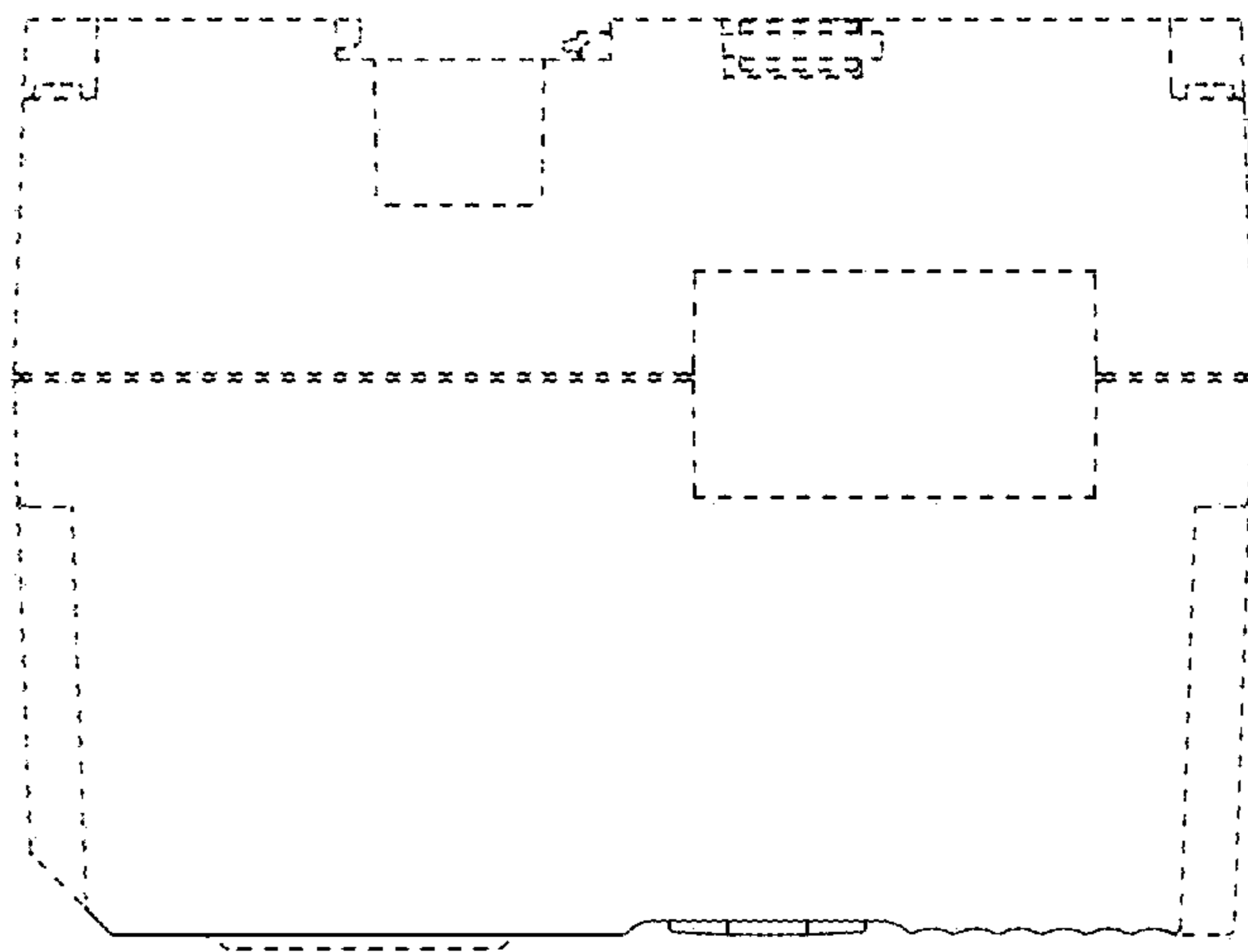


FIG. 3

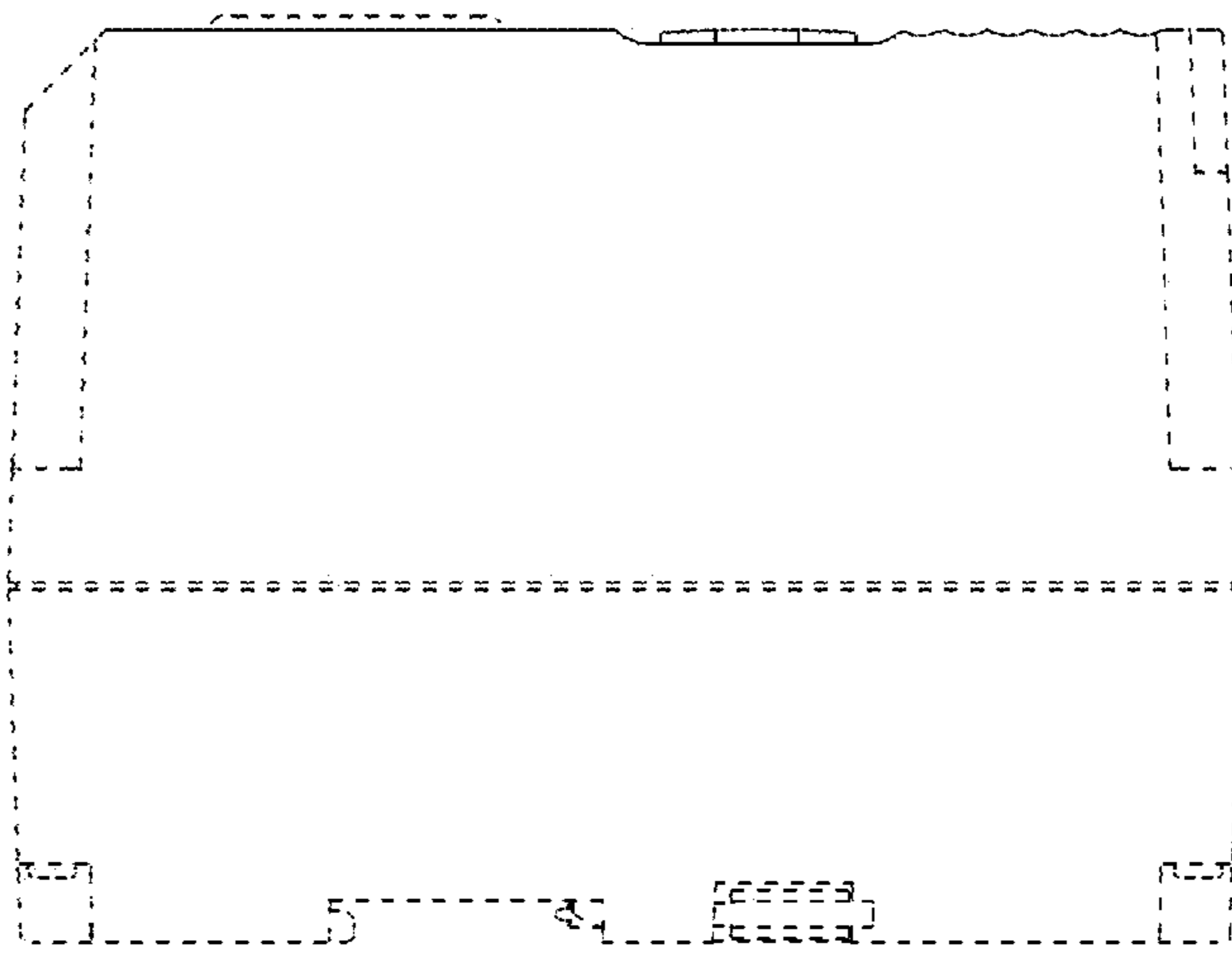


FIG. 4

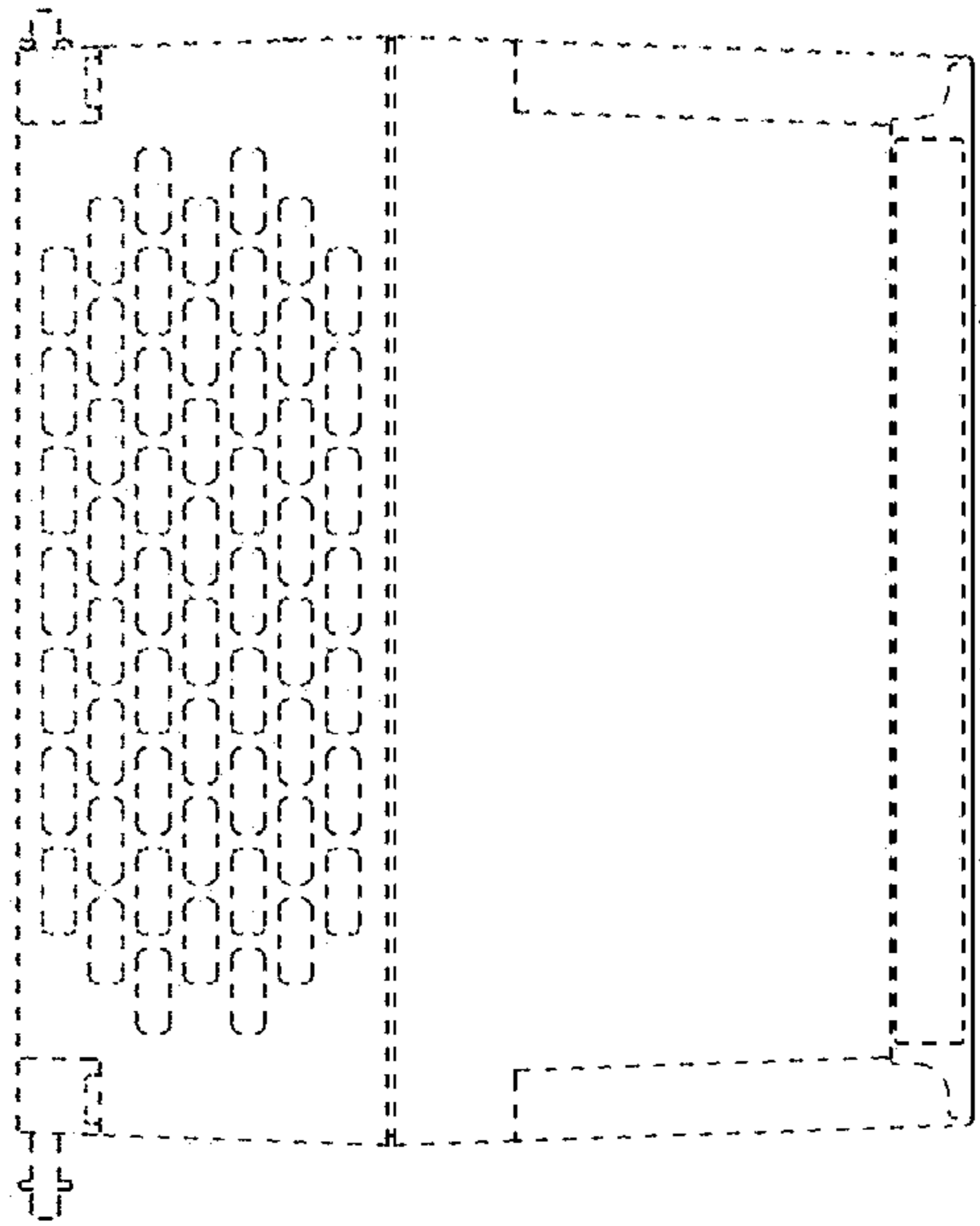


FIG. 5

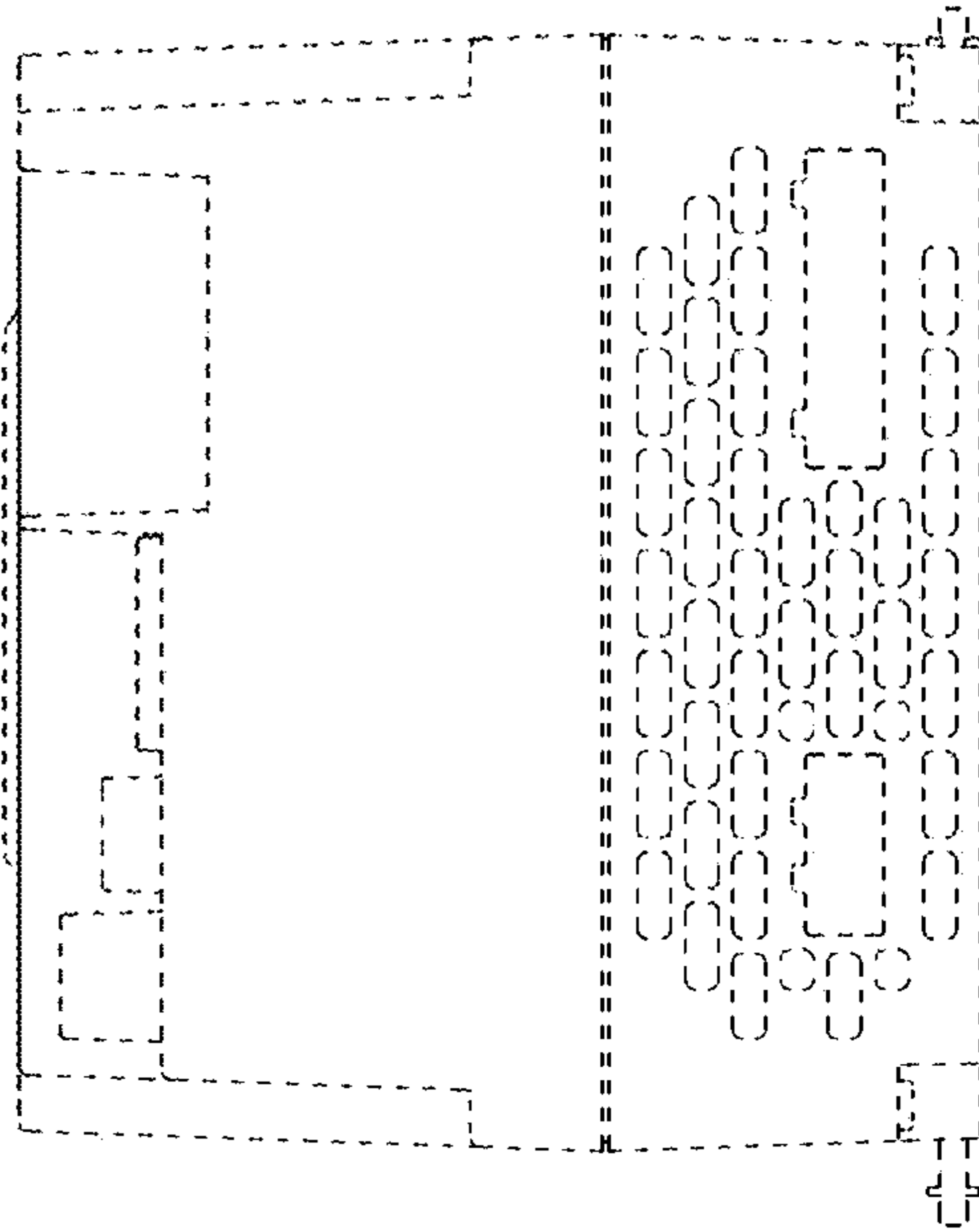


FIG. 6