



US00D762840S

(12) **United States Design Patent**
Wilkins

(10) **Patent No.:** **US D762,840 S**

(45) **Date of Patent:** **** Aug. 2, 2016**

(54) **IMPELLER**

(71) Applicant: **Stephen Wilkins**, Floyds Knobs, IN
(US)

(72) Inventor: **Stephen Wilkins**, Floyds Knobs, IN
(US)

(73) Assignee: **WILKINS IP, LLC**, New Albany, IN
(US)

(**) Term: **14 Years**

(21) Appl. No.: **29/520,641**

(22) Filed: **Mar. 17, 2015**

(51) **LOC (10) Cl.** **23-04**

(52) **U.S. Cl.**
USPC **D23/413; D15/7**

(58) **Field of Classification Search**
USPC D23/370, 375, 376, 377, 379, 411, 413,
D23/414; D26/59; D15/7, 5
CPC F04D 25/088; F04D 29/22; F04D 17/08;
F04D 29/28; F04D 1/00; F21V 33/0096
See application file for complete search history.

(56) **References Cited**

U.S. PATENT DOCUMENTS

2,465,671	A *	3/1949	Van Millingen	F04D 29/284 29/889.4
4,520,541	A *	6/1985	Miki	B23P 15/006 29/889.23
5,112,195	A *	5/1992	Cox	F01D 5/048 416/179
D368,480	S *	4/1996	Thirumalaisamy	D15/5
5,730,582	A *	3/1998	Heitmann	B63H 11/08 416/185
D421,798	S *	3/2000	Liang	D23/370
D509,895	S *	9/2005	Chen	D23/370
D583,391	S *	12/2008	Metcalfe	D15/7
D692,275	S *	10/2013	Audette	D7/376
D712,434	S *	9/2014	Hastings	D15/7
2009/0196744	A1 *	8/2009	Yu	F04D 25/0613 415/177
2009/0196762	A1 *	8/2009	Koga	B22D 15/005 416/241 R

2009/0252609	A1 *	10/2009	Kubota	B22C 9/22 416/204 A
2011/0027080	A1 *	2/2011	Cruickshank	F04D 29/2294 416/1
2012/0121432	A1 *	5/2012	Wakai	F04D 29/30 416/243
2012/0263599	A1 *	10/2012	Sugimura	F04D 29/30 416/223 A
2012/0301287	A1 *	11/2012	Swiatek	F04D 29/30 415/204
2015/0184672	A1 *	7/2015	Nishi	B23P 15/006 416/223 R
2015/0267712	A1 *	9/2015	Boeing	F04D 29/266 415/213.1
2015/0322960	A1 *	11/2015	Giovannetti	F04D 29/023 415/203
2015/0354359	A1 *	12/2015	Matsuda	F02B 39/00 416/204 A
2016/0061214	A1 *	3/2016	Hayamitsu	F04D 29/283 416/223 B
2016/0076551	A1 *	3/2016	Saito	F04D 29/284 415/206

* cited by examiner

Primary Examiner — Susan Bennett Hattan

Assistant Examiner — Janice Hallmark

(74) *Attorney, Agent, or Firm* — Finnegan, Henderson, Farabow, Garrett & Dunner, LLP

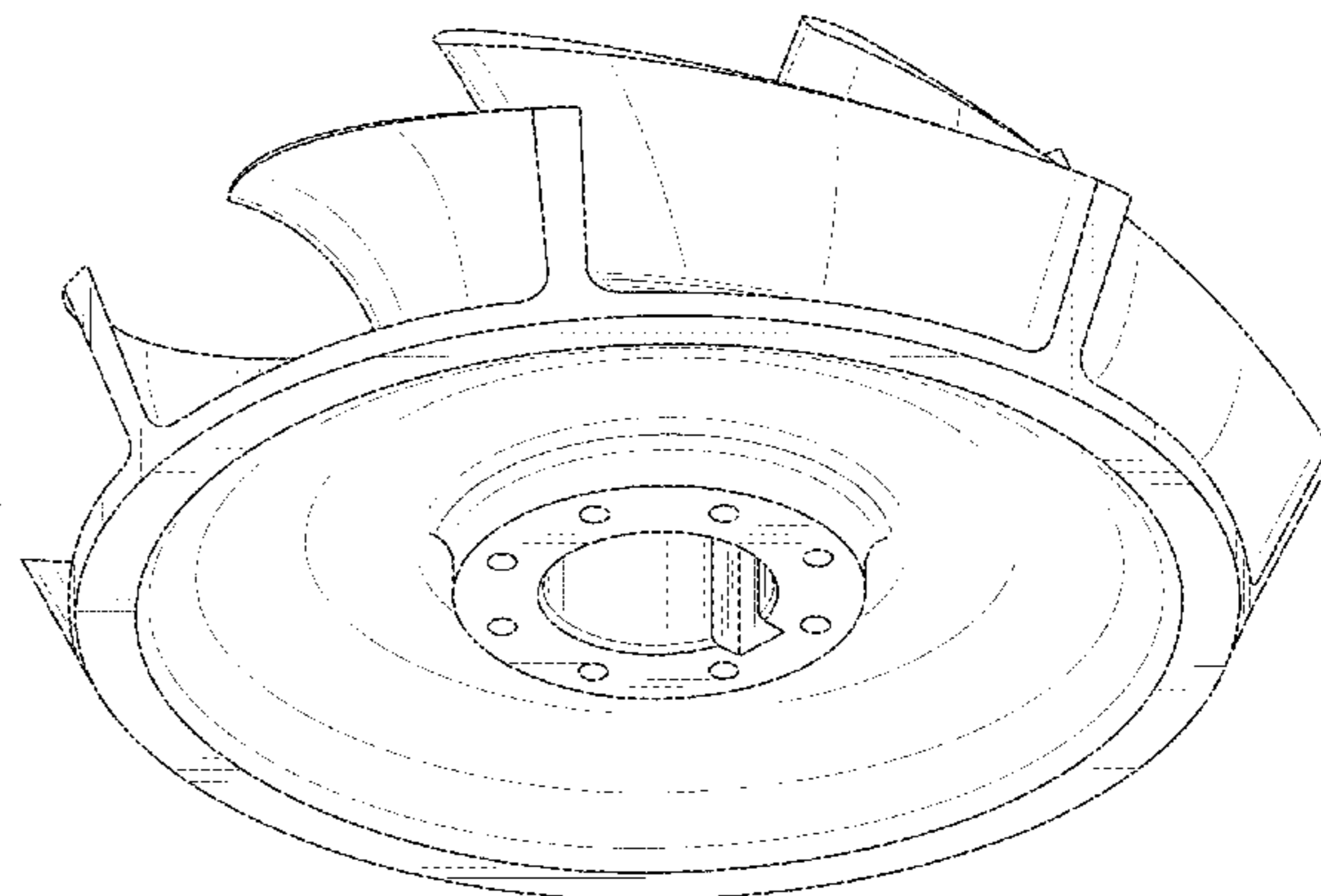
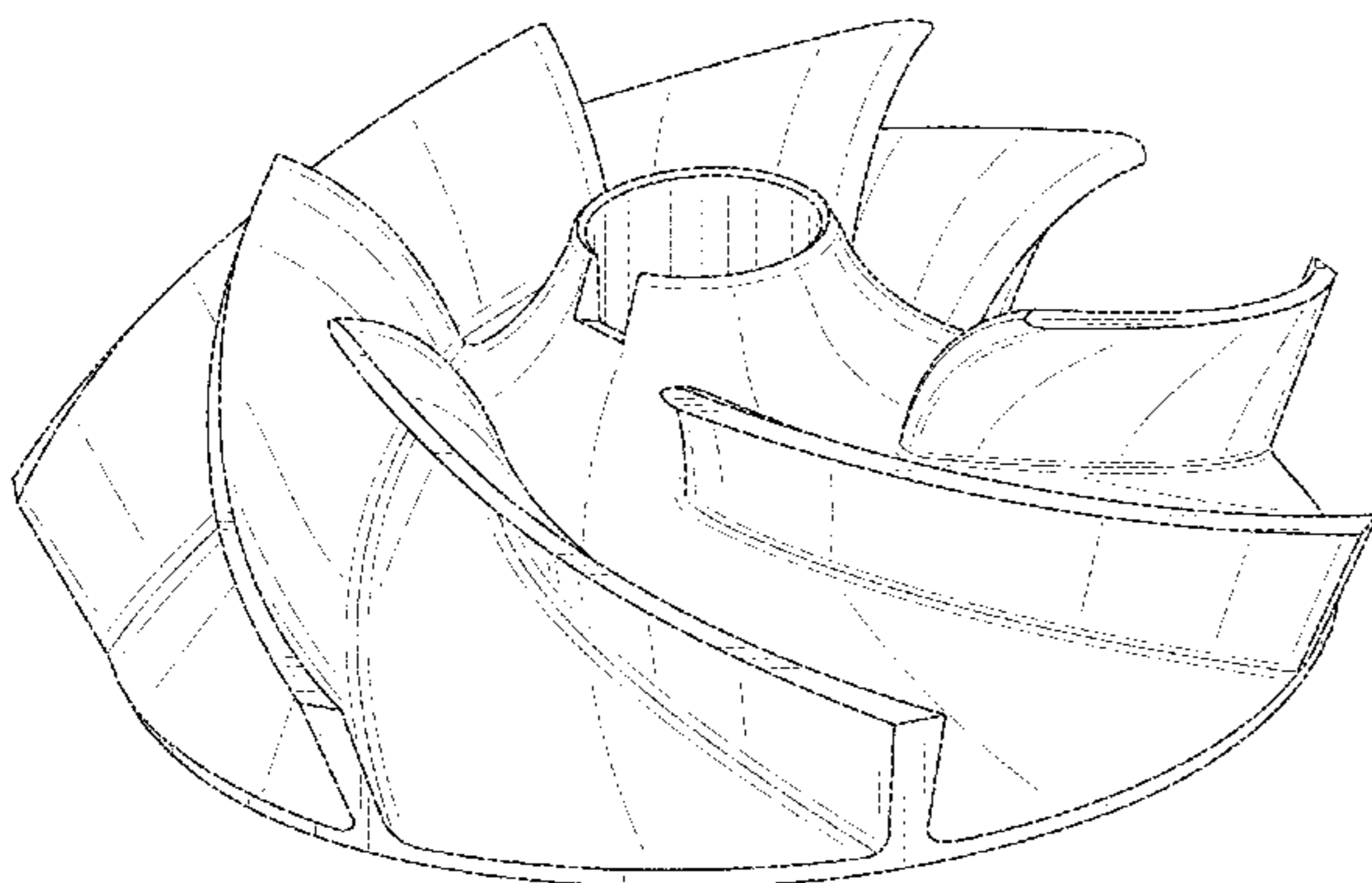
(57) **CLAIM**

The ornamental design for an impeller, as shown and described.

DESCRIPTION

FIG. 1 is a front top right perspective view of an impeller showing my new design;
FIG. 2 is a bottom rear left perspective view thereof;
FIG. 3 is a rear elevation view thereof;
FIG. 4 is a front elevation view thereof;
FIG. 5 is a left side view thereof;
FIG. 6 is a right side view thereof;
FIG. 7 is a top plan view thereof;
FIG. 8 is a bottom plan view thereof;
FIG. 9 is a cross-sectional view of the impeller taken along the line 9-9 shown in FIG. 7; and,
FIG. 10 is a cross-sectional view of the impeller taken along the line 10-10 shown in FIG. 7.

1 Claim, 10 Drawing Sheets



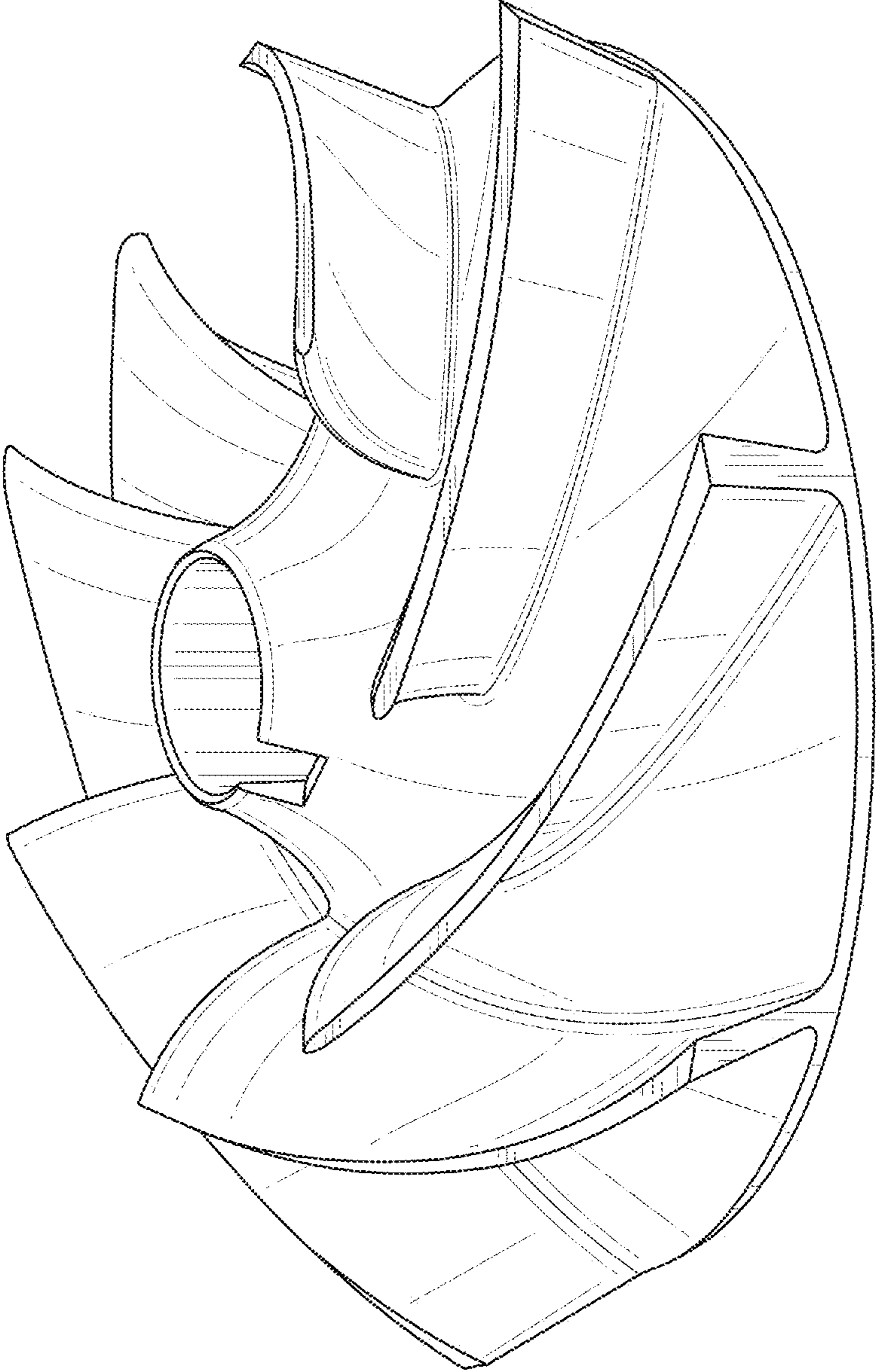


FIG. 1

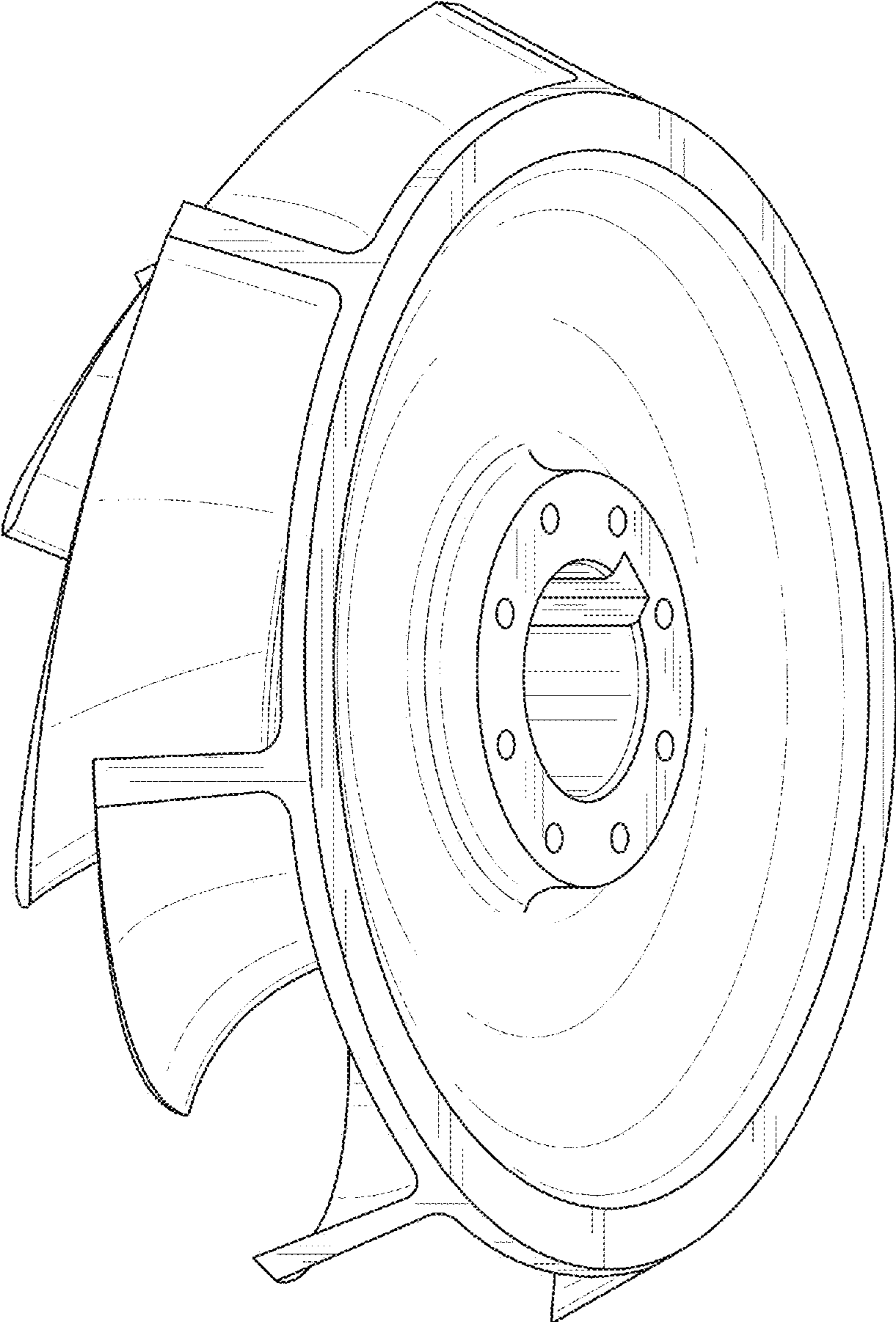


FIG. 2

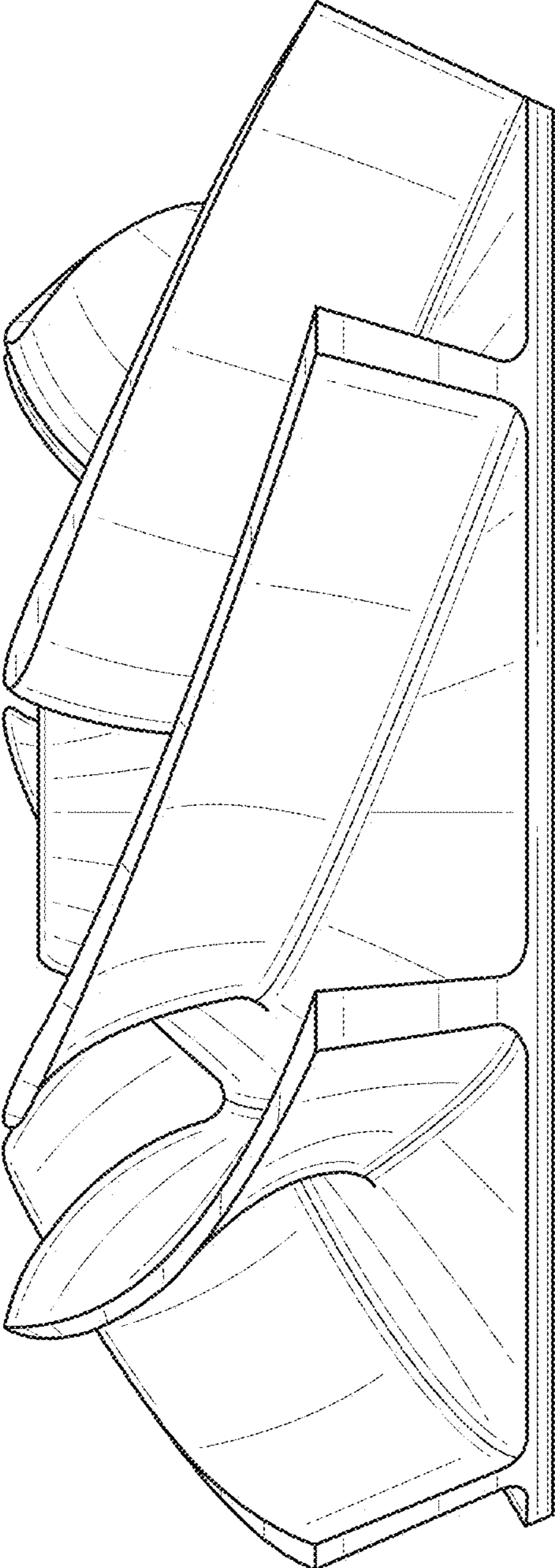


FIG. 3

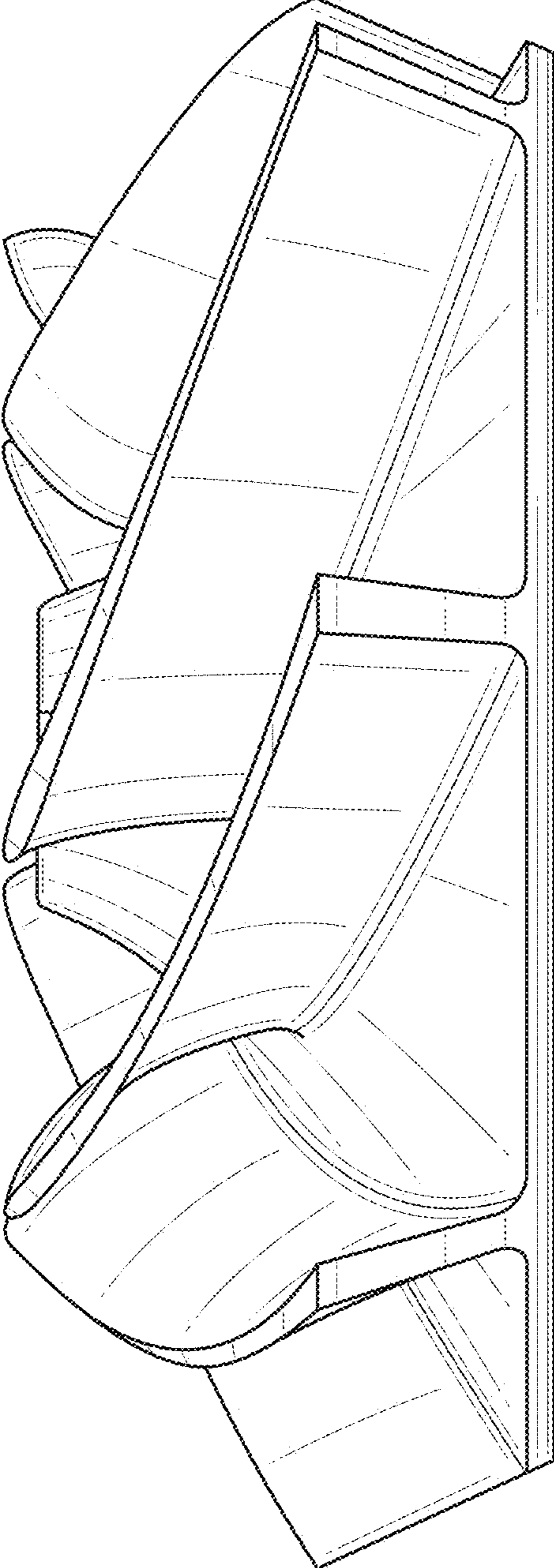


FIG. 4

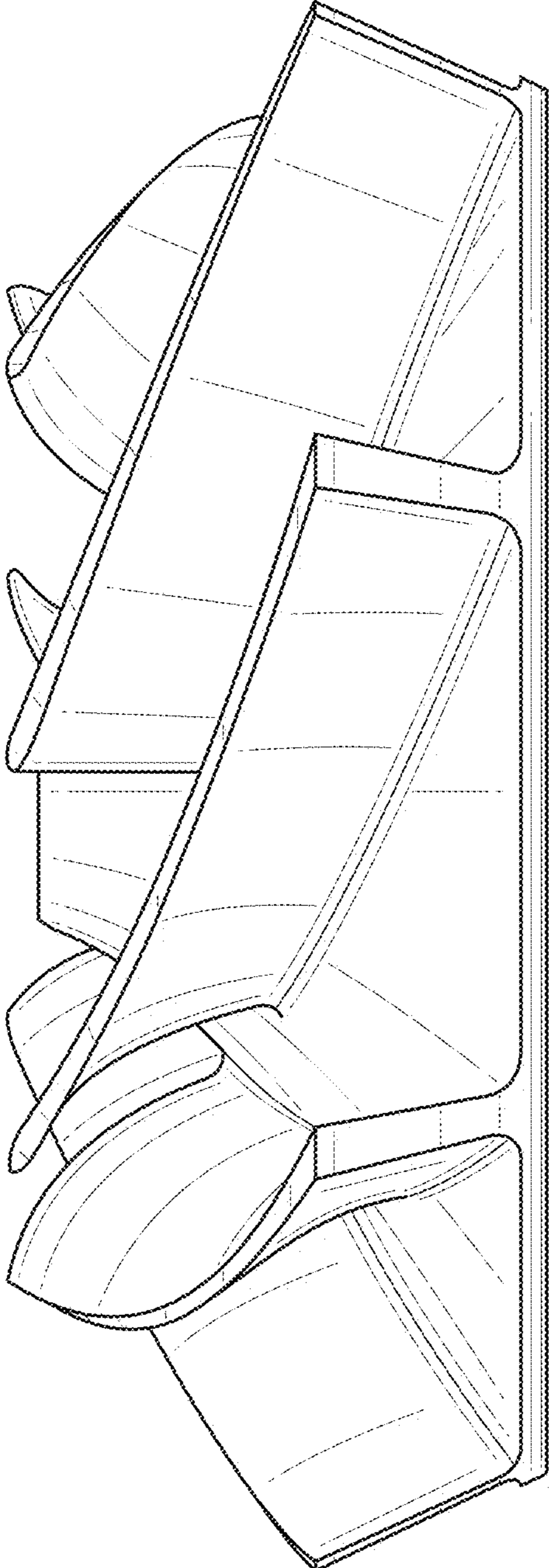


FIG. 5

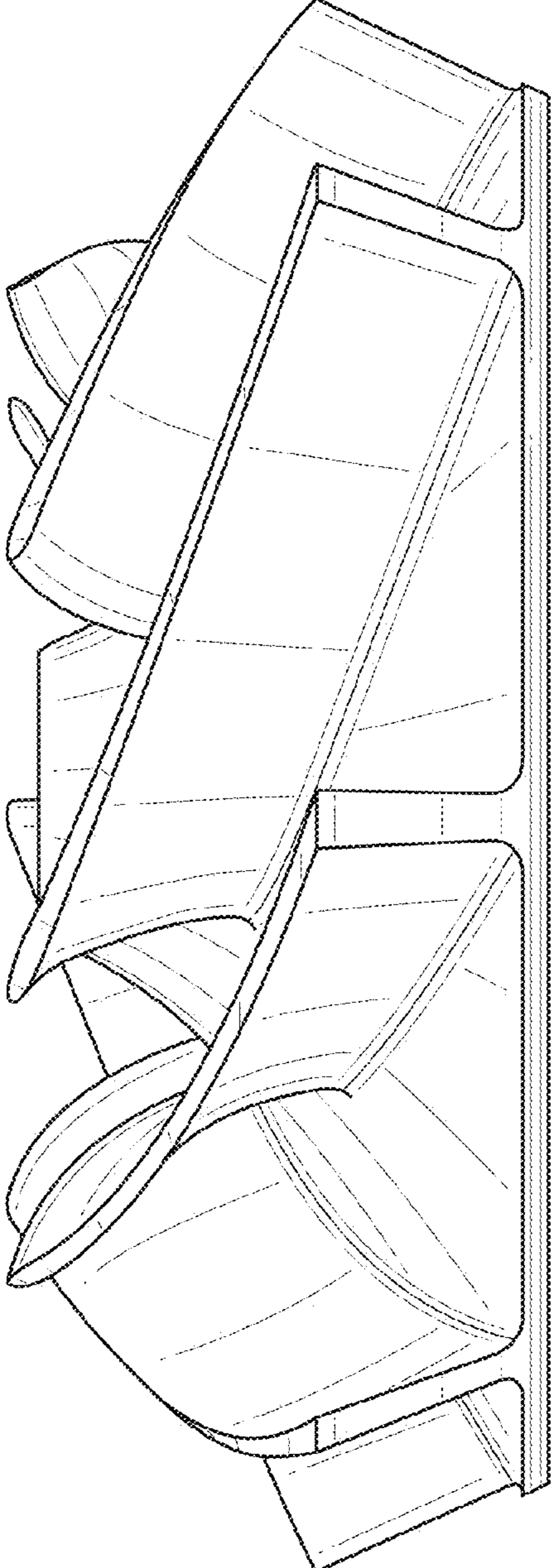


FIG. 6

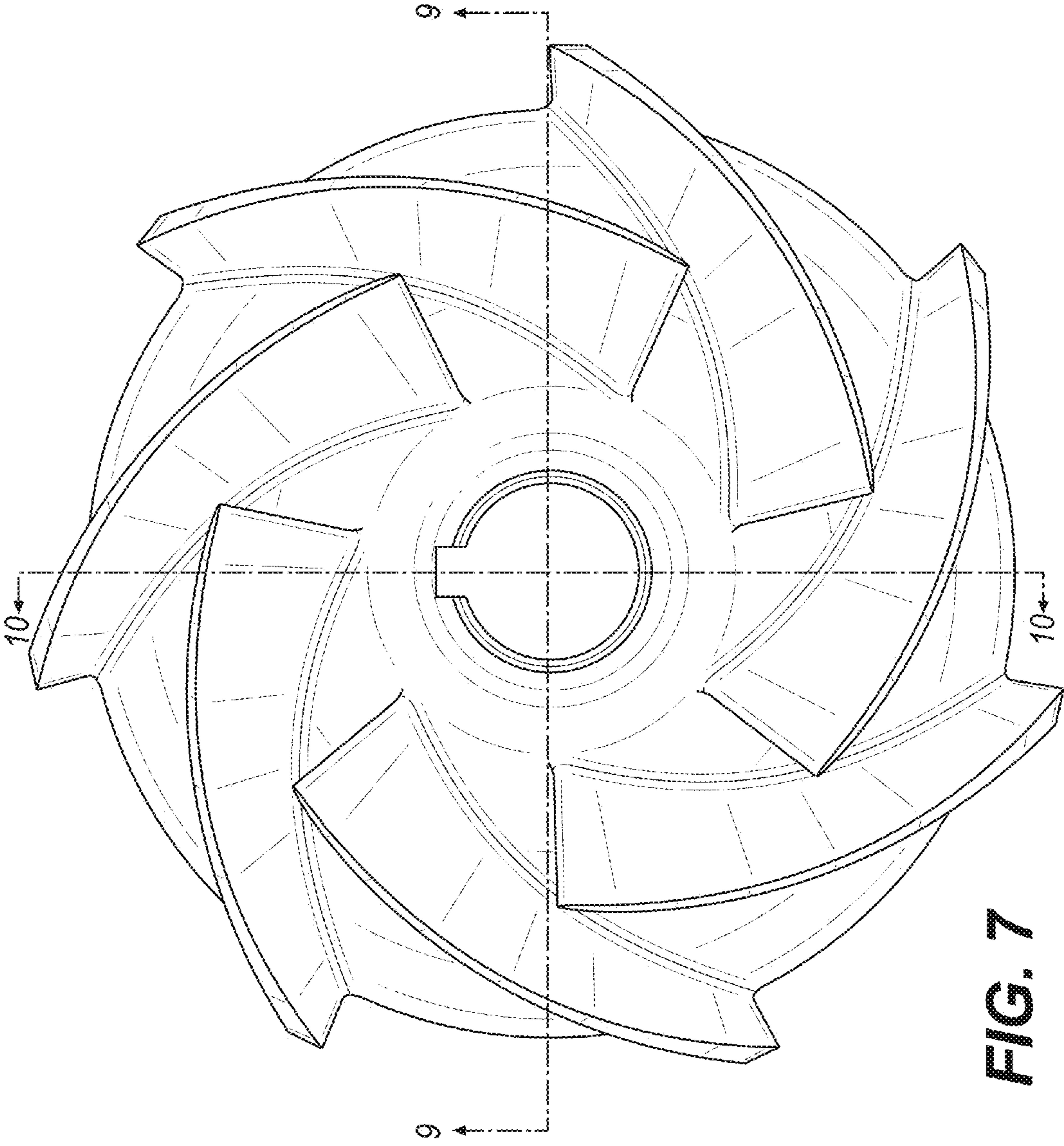


FIG. 7

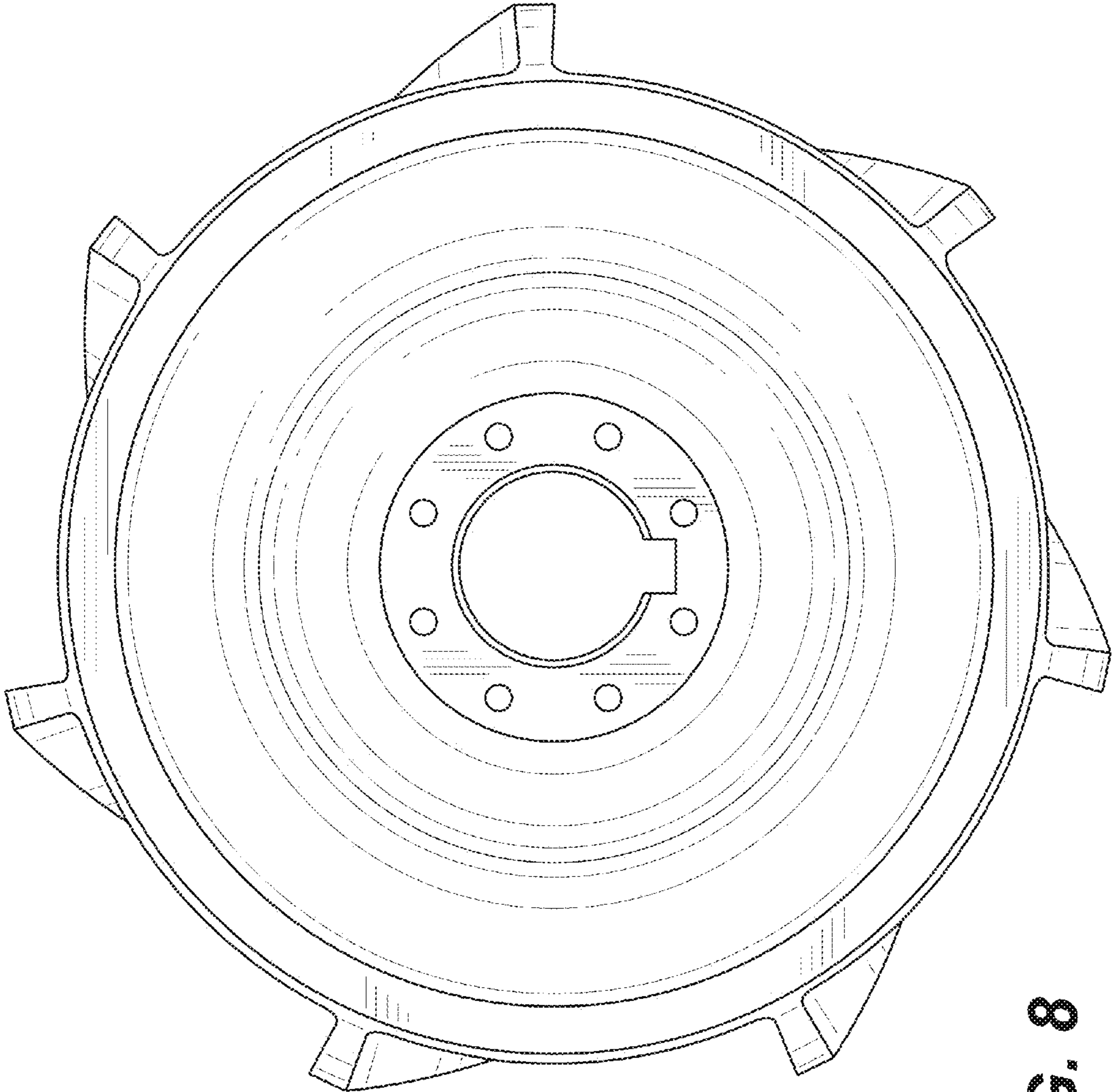


FIG. 8

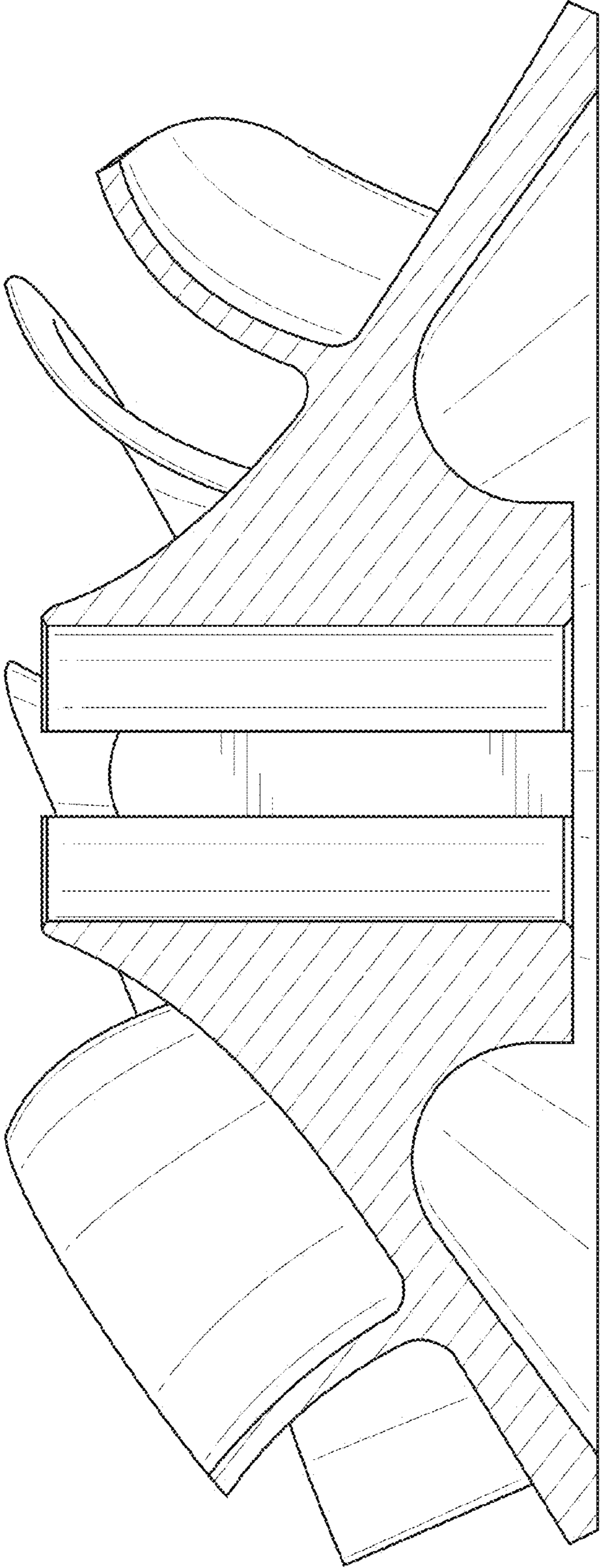


FIG. 9

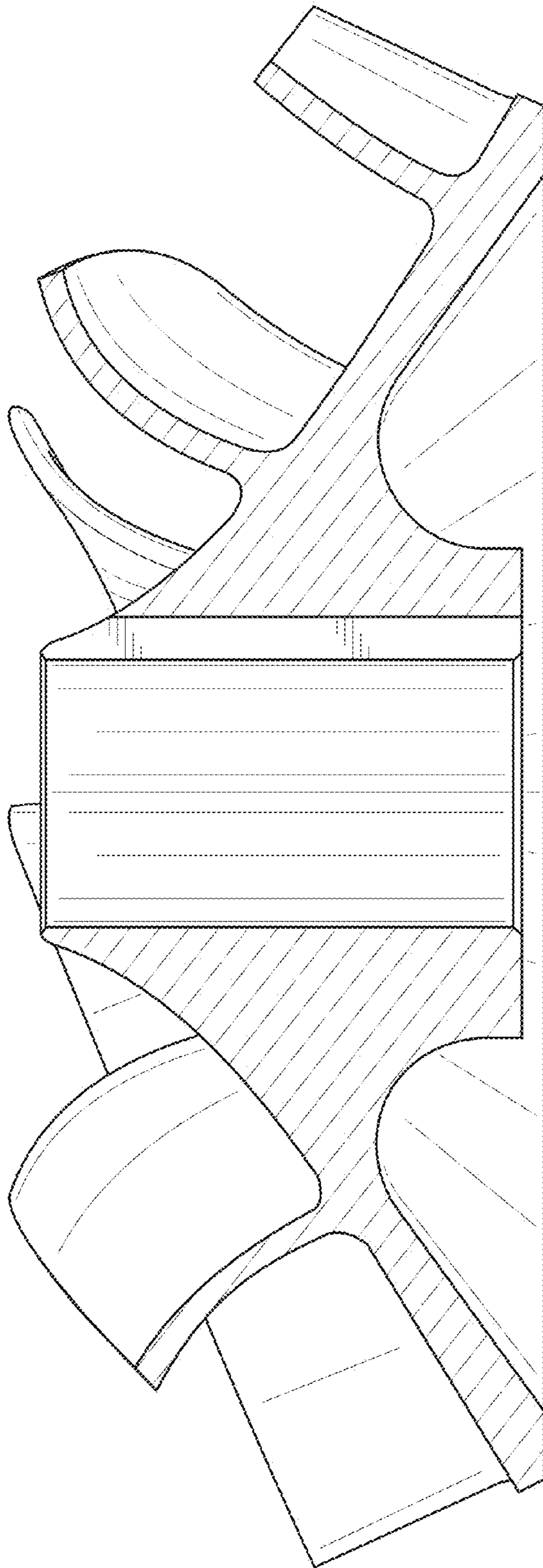


FIG. 10