

US00D762839S

(12) **United States Design Patent**
Schulzman

(10) **Patent No.:** **US D762,839 S**
(45) **Date of Patent:** **** Aug. 2, 2016**

(54) **CEILING FAN HOUSING WITH LIGHT
FIXTURE**

(71) Applicant: **Minka Lighting, Inc.**, Corona, CA (US)

(72) Inventor: **Kurt Schulzman**, Long Beach, CA (US)

(73) Assignee: **MINKA LIGHTING, INC.**, Corona,
CA (US)

(**) Term: **14 Years**

(21) Appl. No.: **29/503,702**

(22) Filed: **Sep. 29, 2014**

Related U.S. Application Data

(63) Continuation-in-part of application No. 29/463,621,
filed on Jan. 16, 2014, now abandoned.

(51) **LOC (10) Cl.** **23-04**

(52) **U.S. Cl.**

USPC **D23/411**; D26/59

(58) **Field of Classification Search**

USPC D23/370, 377, 379, 384, 385, 387,
D23/411-414, 499; D26/51, 59, 67, 72, 85,
D26/88, 124; 362/96; 416/5, 170 R, 214 R,
416/184, 206, 207, 210 R, 220 R, 244 R;
417/423.1; 392/361-364

CPC F04D 25/088; F04D 29/384; F01D 5/02;
F21S 8/04; F21V 33/00; F21V 33/0096

See application file for complete search history.

(56) **References Cited**

U.S. PATENT DOCUMENTS

D378,403	S	*	3/1997	Jaspers-Fayer	D23/377
D384,737	S	*	10/1997	Gee, II	D23/377
D389,568	S	*	1/1998	Gee, II	D23/377
D389,569	S	*	1/1998	Gee, II	D23/377
D396,530	S	*	7/1998	Tai	D23/377
D408,518	S	*	4/1999	Liu	D23/377

D450,830	S	*	11/2001	Hidalgo	D23/377
D475,782	S	*	6/2003	Hidalgo	D23/411
D477,068	S	*	7/2003	Hsieh	D23/377
D483,850	S	*	12/2003	Tai	D23/377
D488,555	S	*	4/2004	Huang	D23/411
6,884,035	B2	*	4/2005	Young	F04D 29/34 29/889.21
D510,428	S	*	10/2005	Hidalgo	D23/411
D547,857	S	*	7/2007	Lee	D23/411
D553,731	S	*	10/2007	Bucher	D23/411
D586,902	S	*	2/2009	Orozco	D23/411

(Continued)

Primary Examiner — Susan Bennett Hattan

Assistant Examiner — Marie Fast Horse

(74) *Attorney, Agent, or Firm* — Baker & McKenzie LLP

(57) **CLAIM**

The ornamental design for a ceiling fan housing with light fixture, as shown and described.

DESCRIPTION

FIG. 1 is a perspective view of a ceiling fan housing with light fixture in accordance with my design;

FIG. 2 is a top plan view of the ceiling fan housing with light fixture in accordance with my design;

FIG. 3 is a bottom plan view of the ceiling fan housing with light fixture in accordance with my design;

FIG. 4 is an enlarged rear elevation view of the ceiling fan housing with light fixture in accordance with my design;

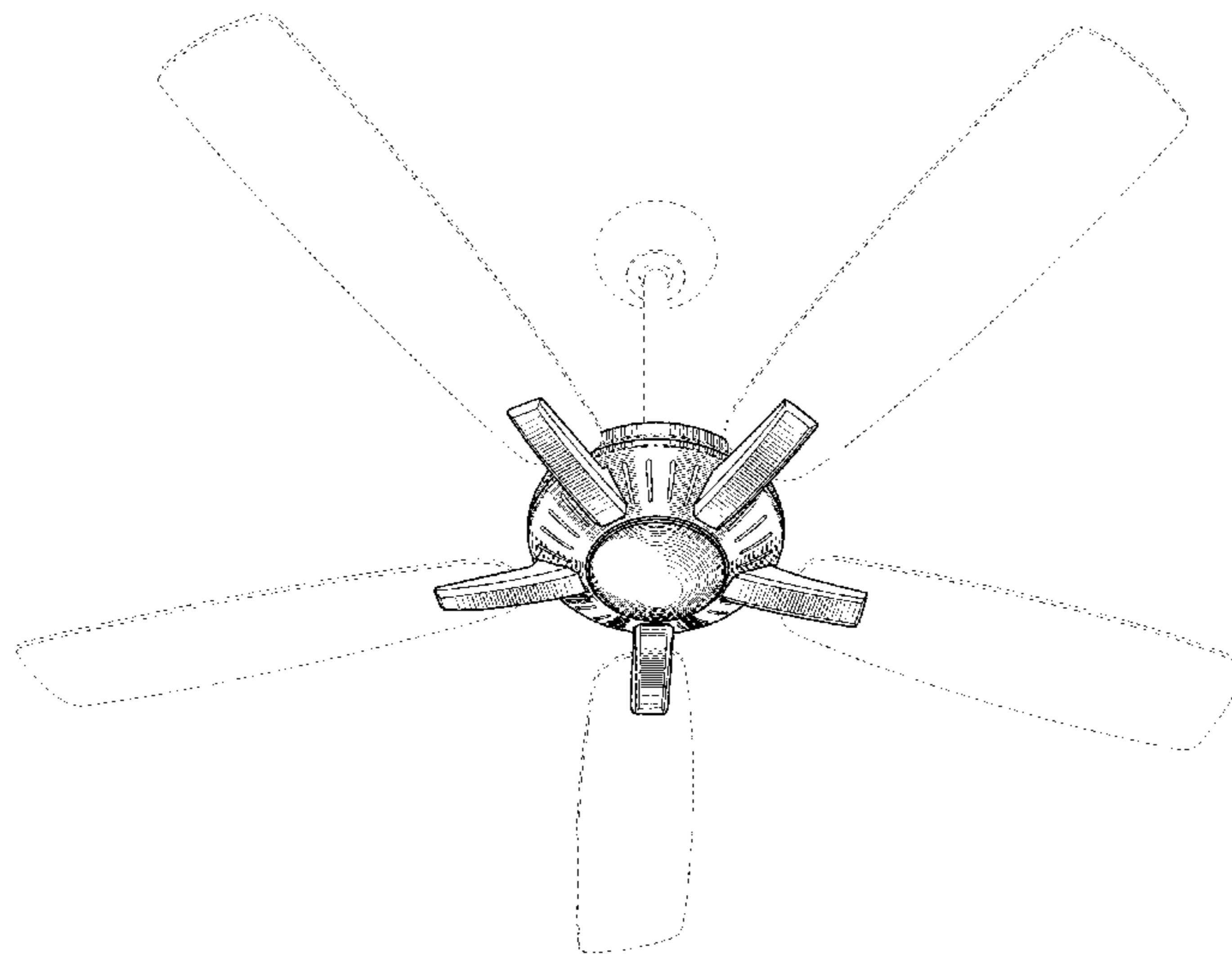
FIG. 5 is an enlarged front elevation view of the ceiling fan housing with light fixture in accordance with my design;

FIG. 6 is an enlarged right-side elevation view of the ceiling fan housing with light fixture in accordance with my design; and,

FIG. 7 is an enlarged left-side elevation view of the ceiling fan housing with light fixture in accordance with my design.

The broken-line disclosure of elements is understood to represent portions of the article in which the design is embodied, but which form no part of the claimed design.

1 Claim, 4 Drawing Sheets



(56)

References Cited

U.S. PATENT DOCUMENTS

D599,461 S *	9/2009	Ertze	D23/377	D671,632 S *	11/2012	Jones	D23/411
D607,096 S *	12/2009	Searle	D23/377	D690,410 S *	9/2013	Passauer, III	D23/411
D621,496 S *	8/2010	Chen	D23/377	D715,918 S *	10/2014	Pan	D23/411
D648,843 S *	11/2011	Chen	D23/411	D715,919 S *	10/2014	Pan	D23/411
				D744,633 S *	12/2015	Wang	D23/411
				2003/0219340 A1 *	11/2003	Hidalgo	F04D 29/34 416/206

* cited by examiner

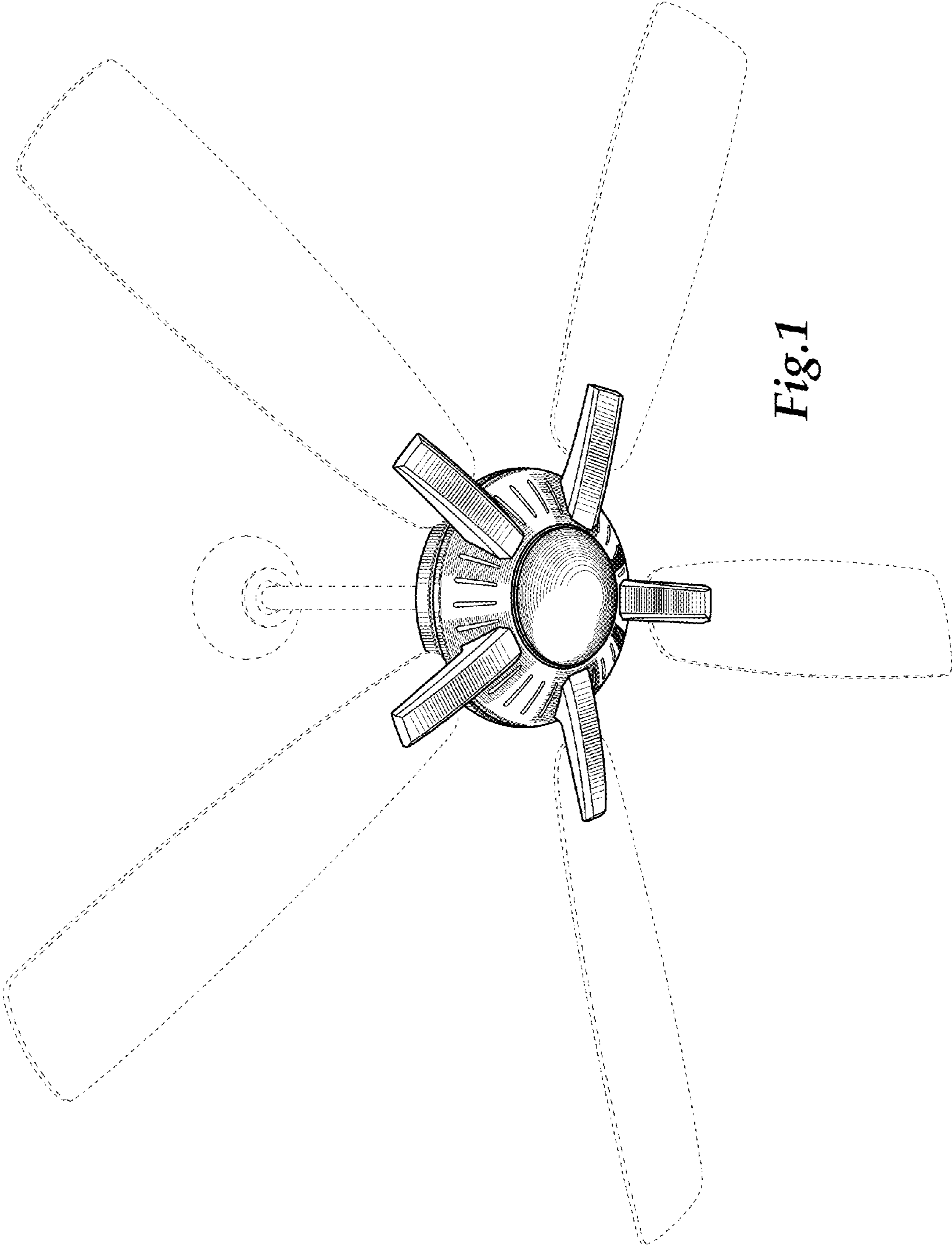


Fig. 1

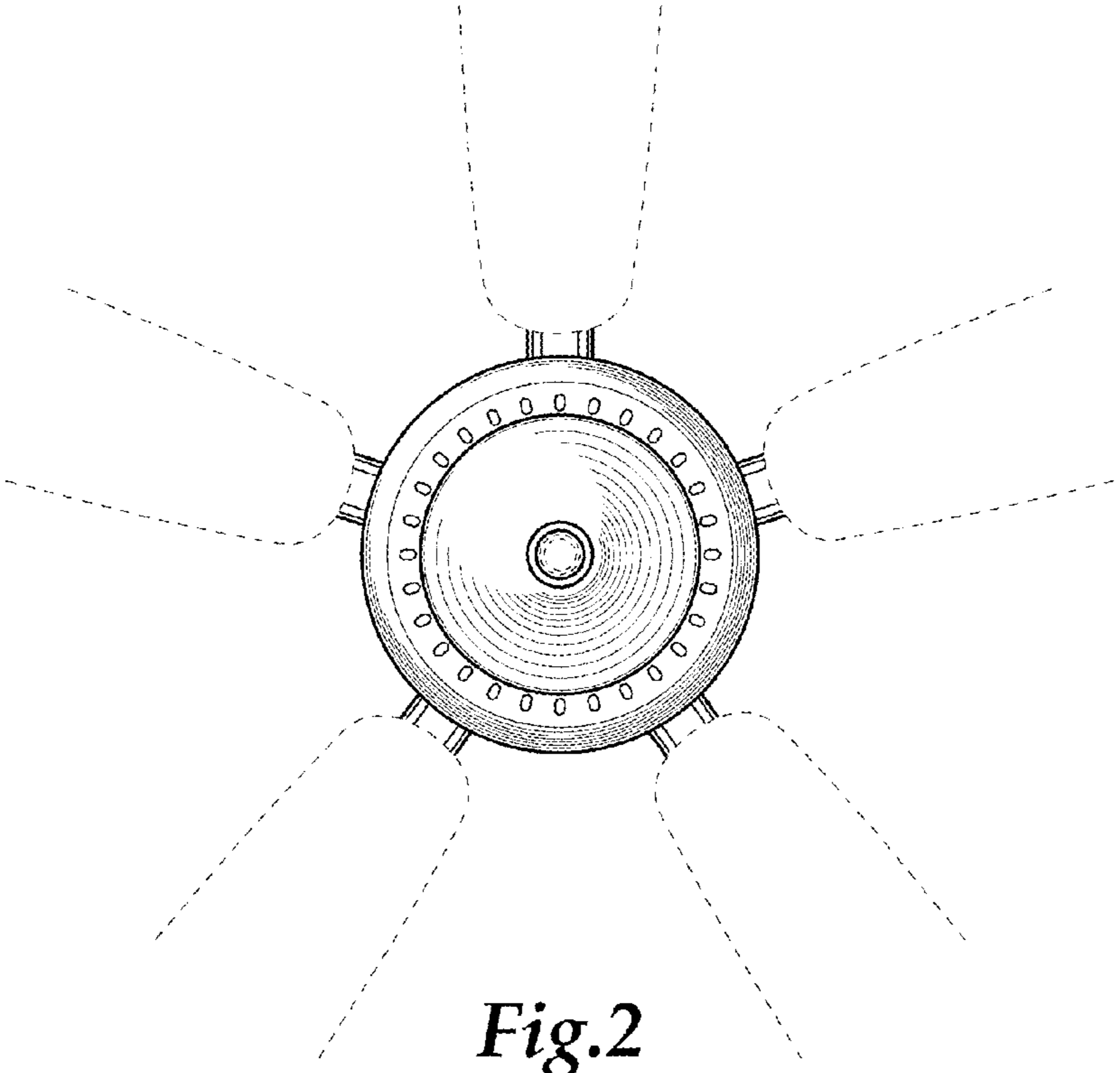


Fig.2

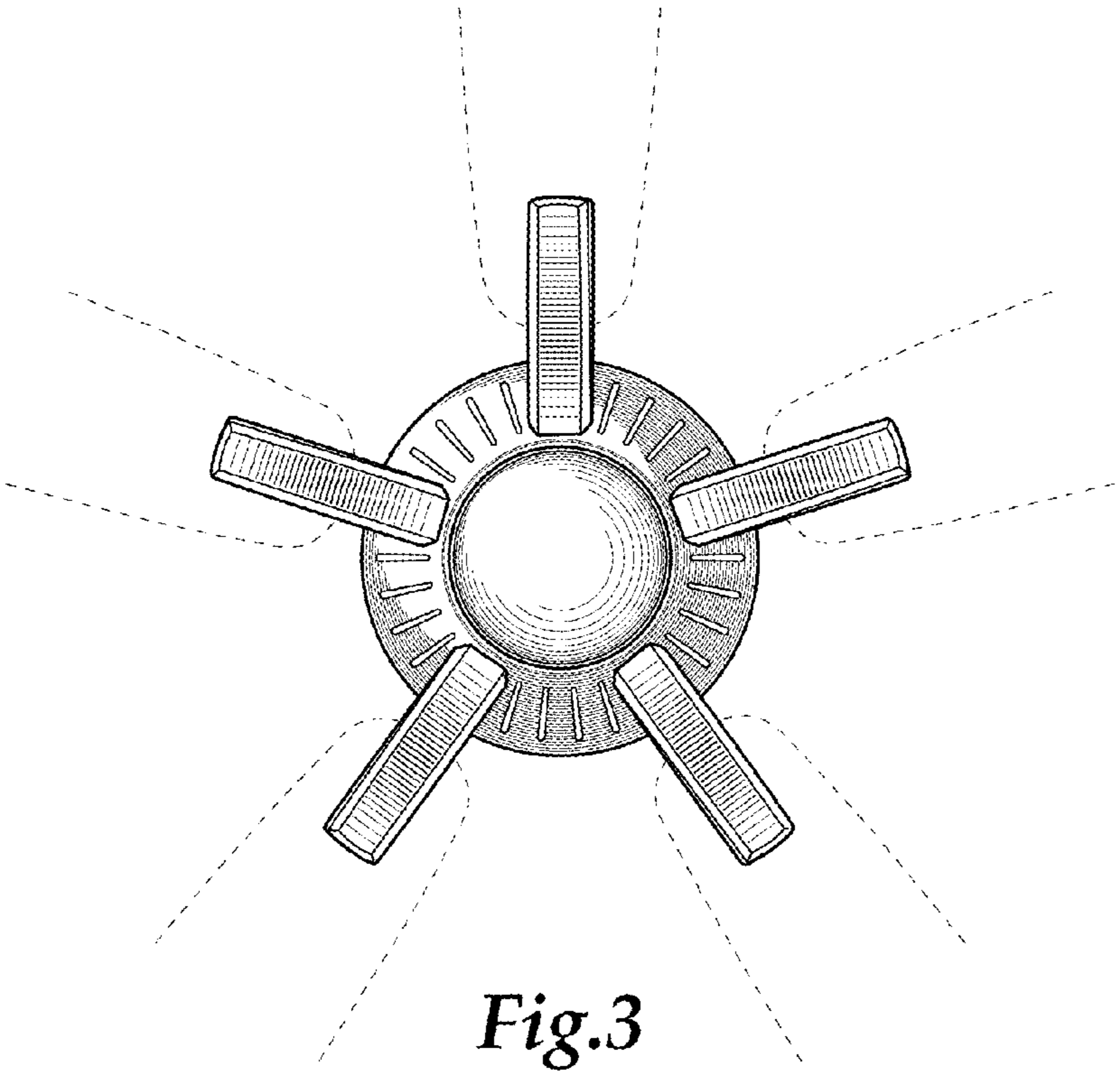


Fig.3

Fig.4

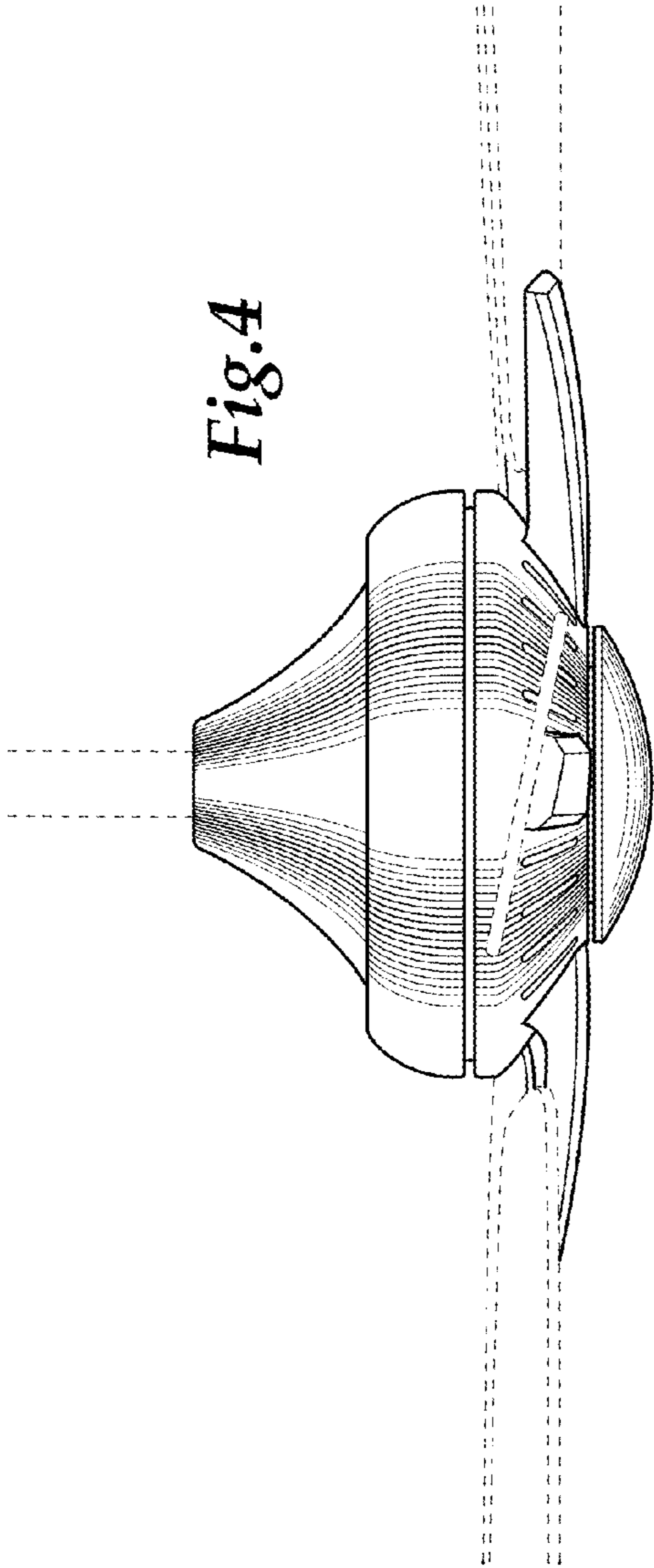


Fig.5

