



US00D762837S

(12) **United States Design Patent**
Yeung

(10) **Patent No.:** **US D762,837 S**

(45) **Date of Patent:** **** Aug. 2, 2016**

(54) **STAND FAN**

(71) Applicant: **Homely Manufacturing Limited**, Hong Kong (HK)

(72) Inventor: **Kui Wong Yeung**, Hong Kong (HK)

(73) Assignee: **HOMELY MANUFACTURING LIMITED**, Hong Kong (HK)

(**) Term: **14 Years**

(21) Appl. No.: **29/514,418**

(22) Filed: **Jan. 13, 2015**

(51) **LOC (10) Cl.** **23-04**

(52) **U.S. Cl.**
USPC **D23/378**

(58) **Field of Classification Search**
USPC D23/370–373, 376–379, 381–385, 388, D23/411–414, 324, 328, 330, 332, 335, D23/353–355, 499; D21/455, 458; 416/62, 416/93 R, 100, 180, 182, 189, 190, 204 R, 416/219 R, 220 R, 244 R, 246, 247 R, 223 R; D13/175, 179; 310/67 R; 417/369, 417/423.7
CPC ... F04D 29/325; F04D 29/326; F04D 29/329; F04D 29/384; F04D 29/386; F04D 29/28; F04D 29/281; F04D 29/282; F04D 29/284; F04D 29/663; F04D 29/646; F04D 29/701; F04D 29/703; F04D 29/526; F04D 29/547; F04D 25/08; F04D 25/082; F04D 25/084; F04D 25/068; B60H 1/00428

See application file for complete search history.

(56) **References Cited**

U.S. PATENT DOCUMENTS

D307,470 S * 4/1990 Utsuki D23/378
4,927,120 A * 5/1990 Wang F04D 25/08
248/125.1
D314,047 S * 1/1991 Wang D23/378
D314,428 S * 2/1991 Wang D23/378
D315,018 S * 2/1991 Wang D23/382
D316,599 S * 4/1991 Wang D23/378

D341,196 S * 11/1993 Cheslock D23/378
D355,483 S * 2/1995 Litvin D23/378
D391,346 S * 2/1998 Litvin D23/381
D414,858 S * 10/1999 Litvin D23/378
D418,218 S * 12/1999 Hsu D23/411
D418,913 S * 1/2000 Thakur D23/378
D420,734 S * 2/2000 Thakur D23/378
D424,682 S * 5/2000 Thakur D23/378
6,071,079 A * 6/2000 Litvin F04D 29/703
415/121.2
D459,467 S * 6/2002 Wilson, Jr. D23/378
6,454,537 B1 * 9/2002 Perella F04D 29/703
416/247 R
D507,828 S * 7/2005 Lee D23/378
D511,570 S * 11/2005 Ke D23/378
D681,795 S * 5/2013 Huang D23/328
D737,420 S * 8/2015 Yeung D23/382
2003/0049132 A1 * 3/2003 Perella F04D 29/703
416/247 R
2004/0037704 A1 * 2/2004 Cichetti, Sr. F04D 29/601
416/246
2013/0004330 A1 * 1/2013 He F04D 29/601
419/244 R
2015/0108363 A1 * 4/2015 Kanazawa F04D 25/08
250/423 R
2015/0204340 A1 * 7/2015 Chan F04D 27/004
417/45

* cited by examiner

Primary Examiner — Susan Bennett Hattan

Assistant Examiner — Marie Fast Horse

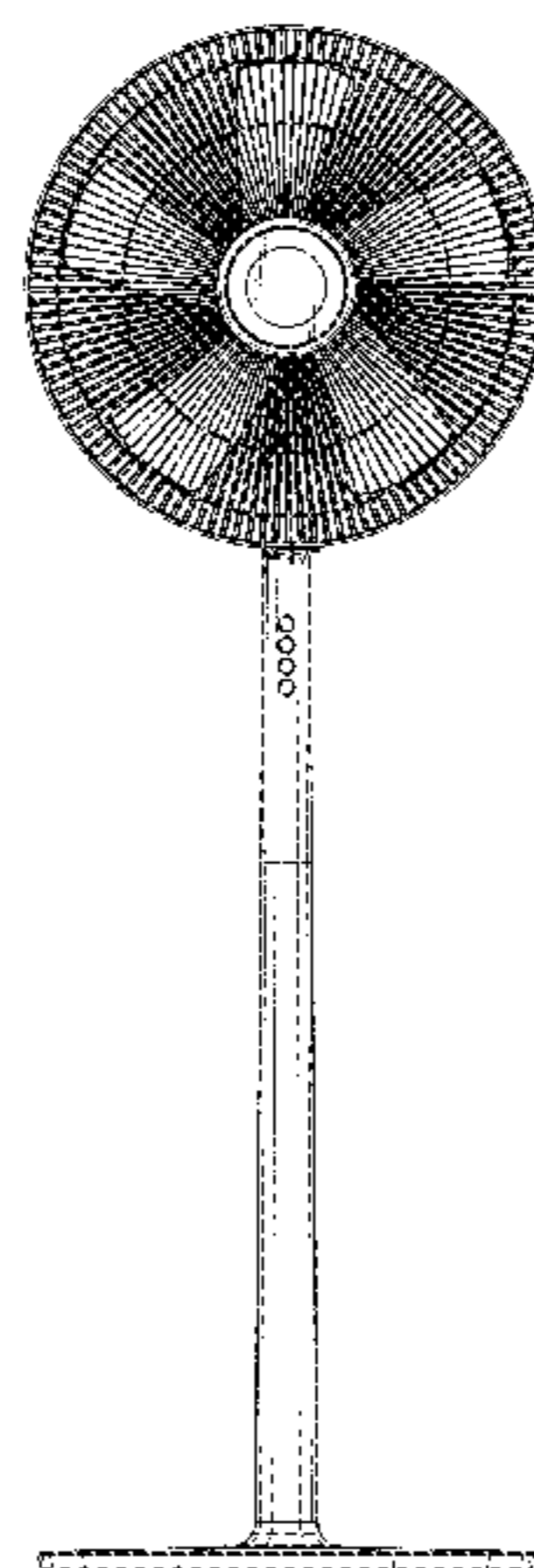
(57) **CLAIM**

The ornamental design for a stand fan, as shown and described.

DESCRIPTION

FIG. 1 is a front elevational view of a stand fan showing my new design;
FIG. 2 is a rear elevational view thereof;
FIG. 3 is a left side view thereof;
FIG. 4 is a right side view thereof;
FIG. 5 is a top plan view thereof; and,
FIG. 6 is a bottom plan view thereof.
The broken lines in FIG. 6 depict the parts of the stand fan that form no part of the claim.

1 Claim, 5 Drawing Sheets



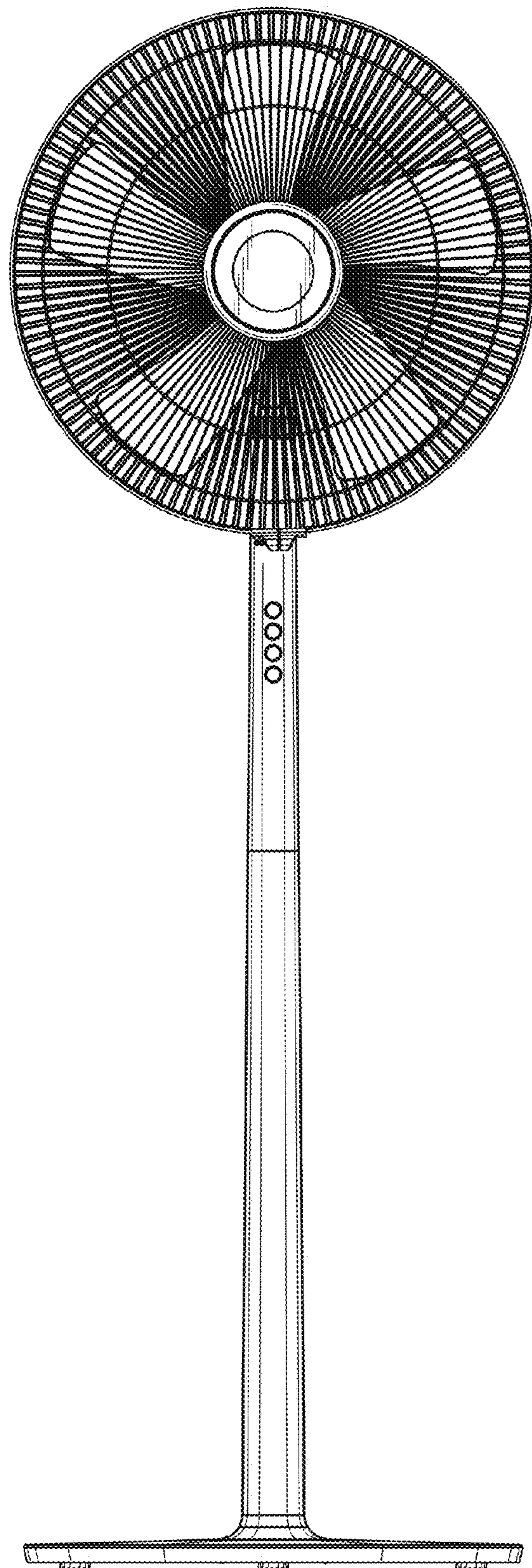


FIG. 1

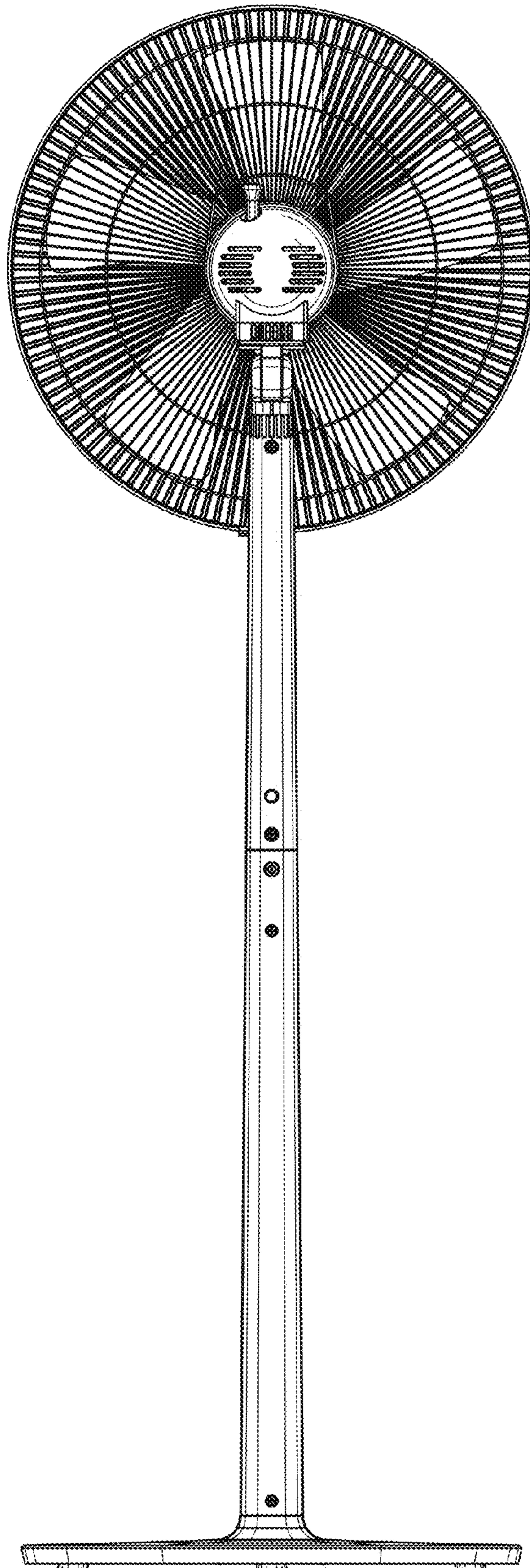


FIG. 2

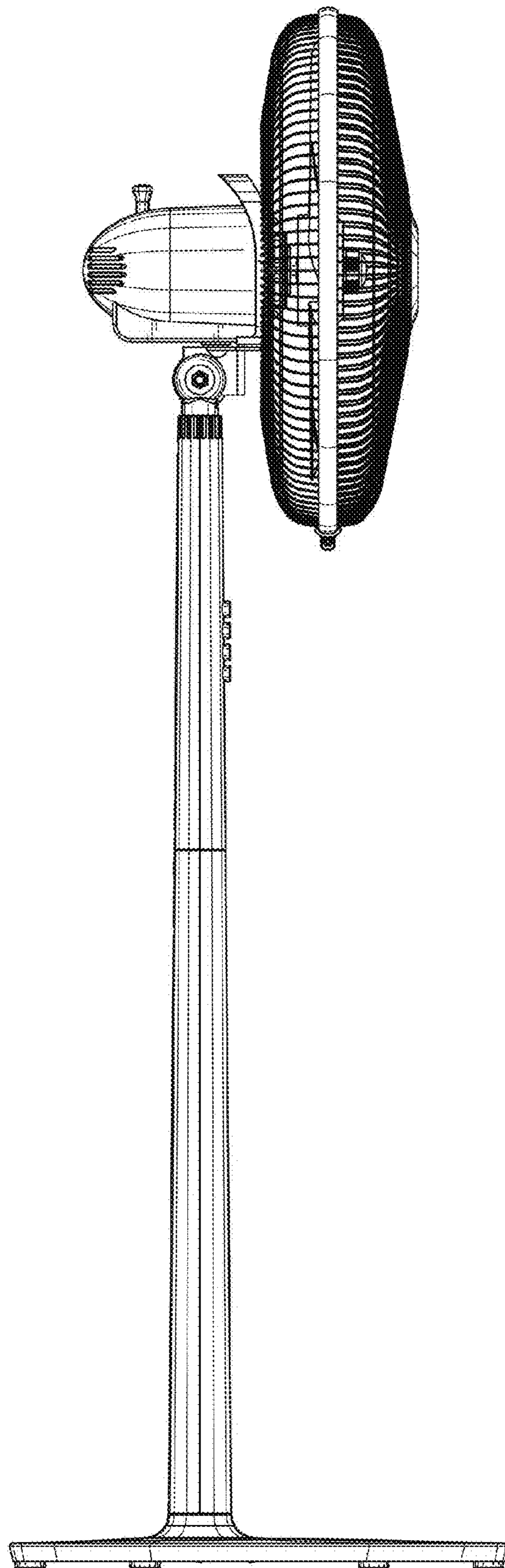


FIG. 3

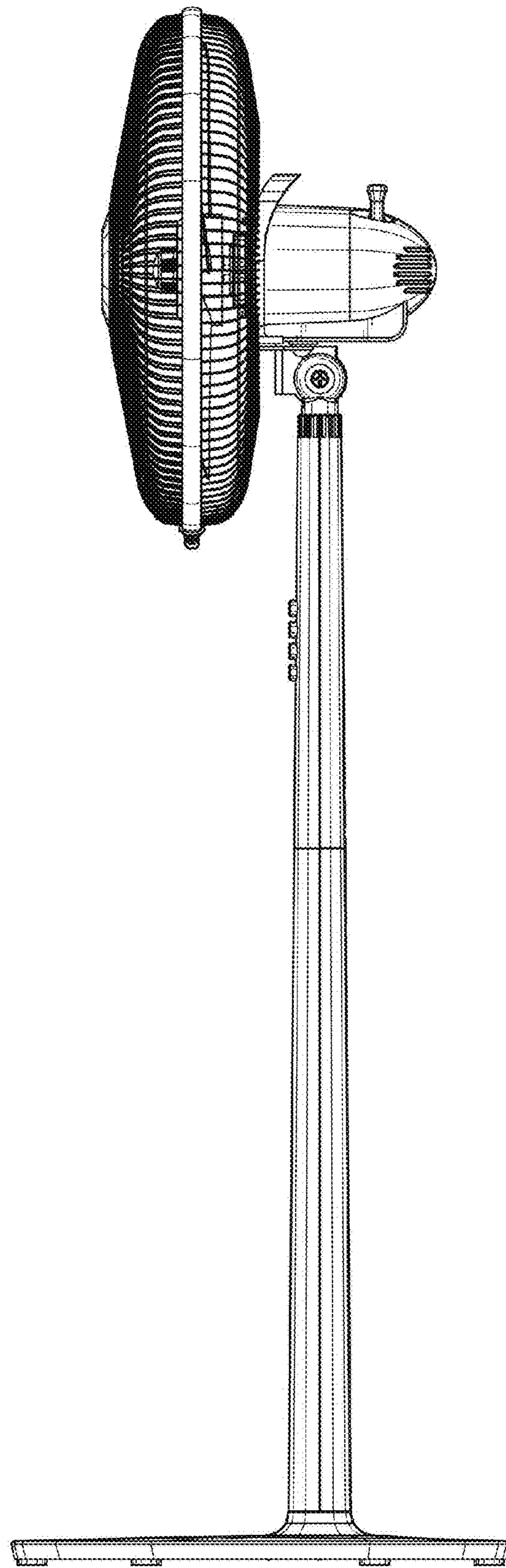


FIG. 4

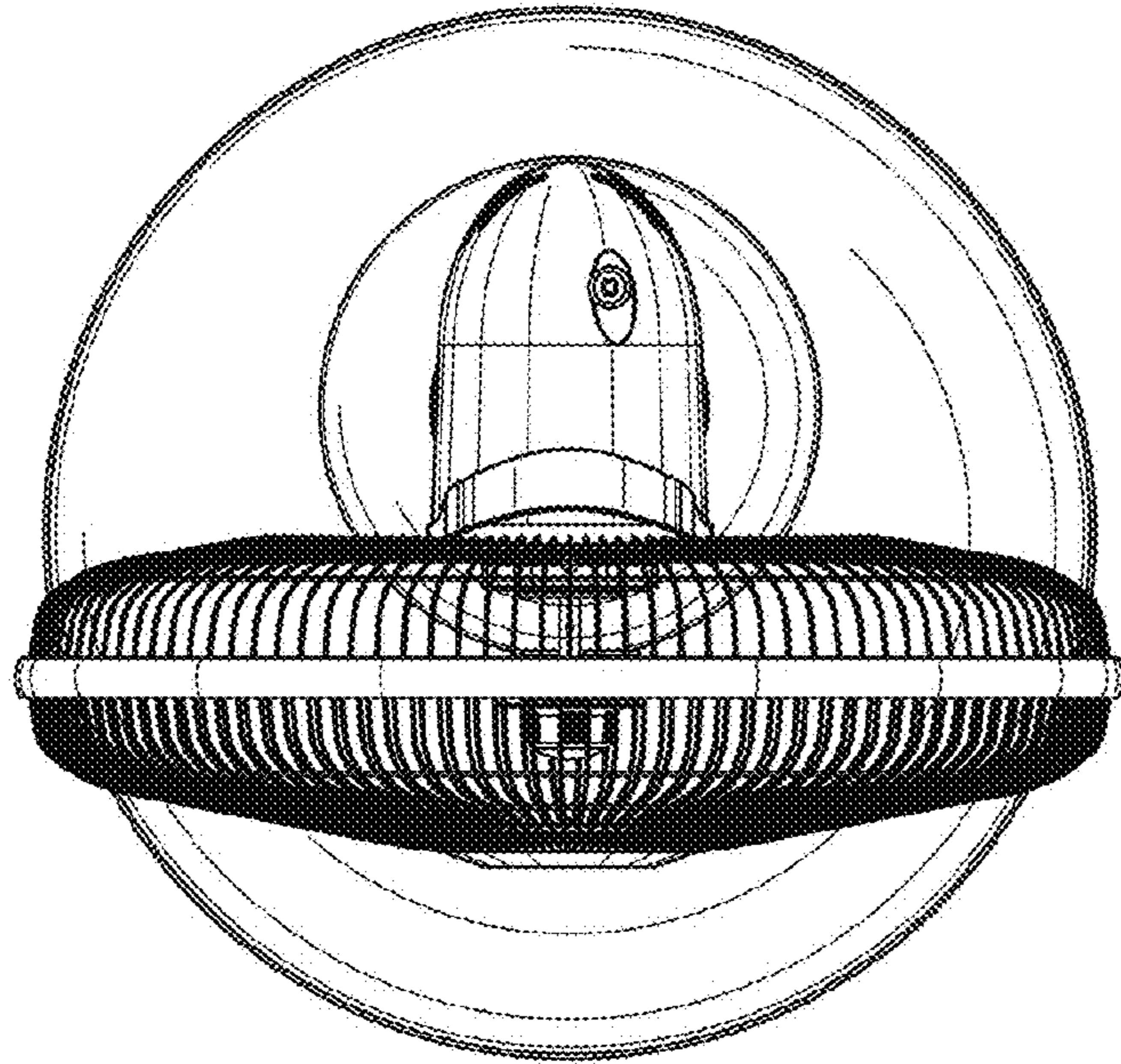


FIG. 5

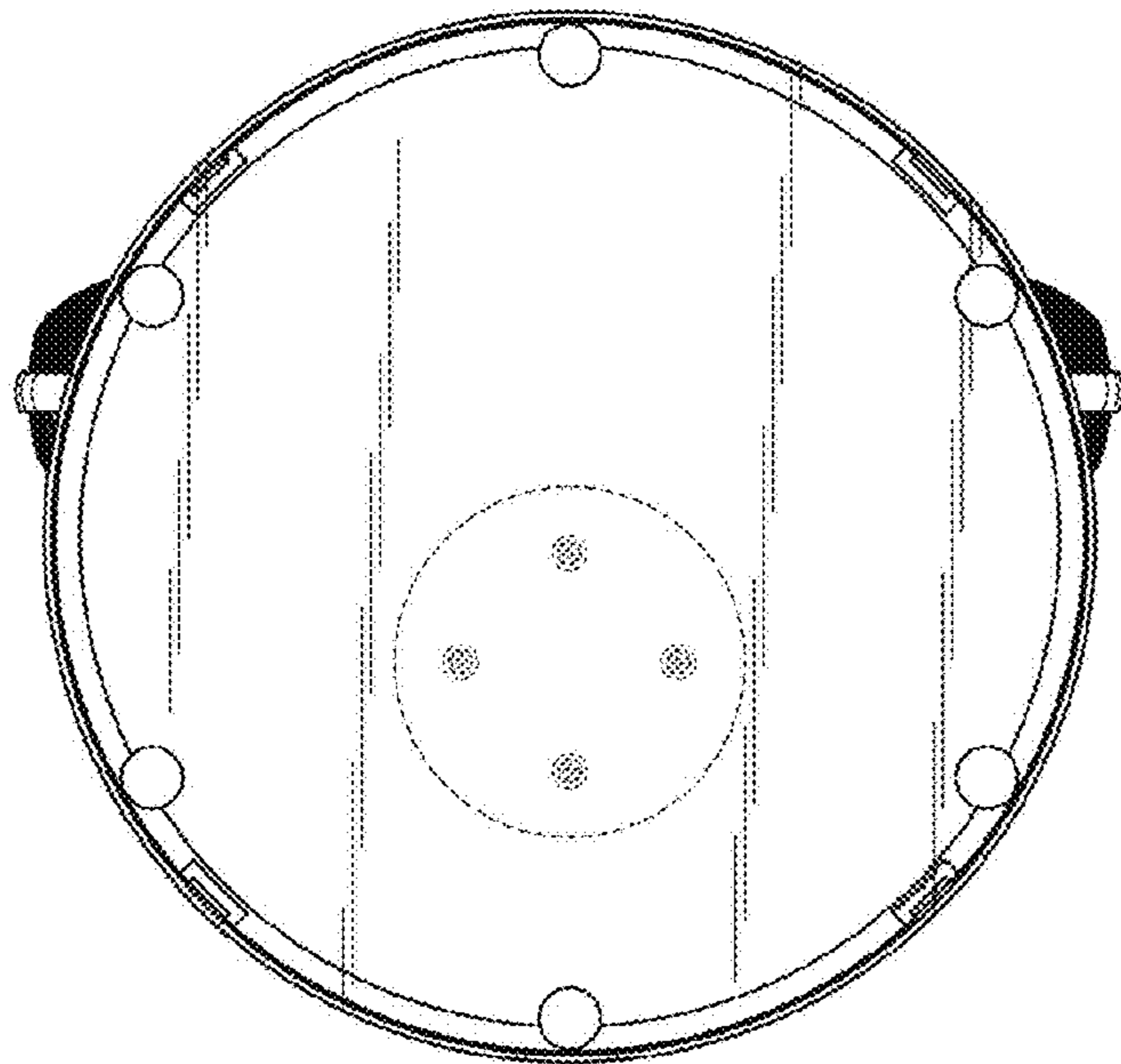


FIG. 6