

US00D762836S

(12) **United States Design Patent**  
**Schulzman**

(10) **Patent No.:** **US D762,836 S**  
(45) **Date of Patent:** **\*\* Aug. 2, 2016**

- (54) **COMBINATION CEILING FAN AND LIGHT FIXTURE**
- (71) Applicant: **Minka Lighting, Inc.**, Corona, CA (US)
- (72) Inventor: **Kurt Schulzman**, Long Beach, CA (US)
- (73) Assignee: **MINKA LIGHTING, INC.**, Corona, CA (US)
- (\*\*) Term: **14 Years**
- (21) Appl. No.: **29/503,694**
- (22) Filed: **Sep. 29, 2014**

**Related U.S. Application Data**

- (63) Continuation-in-part of application No. 29/463,621, filed on Jan. 16, 2014, now abandoned.
- (51) **LOC (10) Cl.** ..... **23-04**
- (52) **U.S. Cl.**  
USPC ..... **D23/377; D26/59**
- (58) **Field of Classification Search**  
USPC ..... D23/370, 377, 379, 384, 385, 387, D23/411-414, 499; D26/51, 59, 67, 72, 85, D26/88, 124; 362/96; 416/5, 170 R, 214 R, 416/184, 206, 207, 210 R, 220 R, 244 R, 417/423.1; 392/361-364  
CPC ..... F04D 25/088; F04D 29/384; F01D 5/02; F21S 8/04; F21V 33/00; F21V 33/0096  
See application file for complete search history.

**References Cited**

**U.S. PATENT DOCUMENTS**

D346,858 S *	5/1994	Lee	.....	D23/377
D378,403 S *	3/1997	Jaspers-Fayer	.....	D23/377
D382,636 S *	8/1997	Yang	.....	D23/377
D384,737 S *	10/1997	Gee, II	.....	D23/377
D396,530 S *	7/1998	Tai	.....	D23/377
D408,518 S *	4/1999	Liu	.....	D23/377

D450,830 S *	11/2001	Hidalgo	.....	D23/377
D476,408 S *	6/2003	Hidalgo	.....	D23/411
D476,728 S *	7/2003	Gajewski	.....	D23/377
D477,068 S *	7/2003	Hsieh	.....	D23/377
D484,588 S *	12/2003	Tai	.....	D23/377
D488,555 S *	4/2004	Huang	.....	D23/411
6,884,035 B2 *	4/2005	Young	.....	F04D 29/34 29/889.21
D510,428 S *	10/2005	Hidalgo	.....	D23/411
D576,265 S *	9/2008	Bucher	.....	D23/377
D590,489 S *	4/2009	Bucher	.....	D23/377
D593,194 S *	5/2009	Pan	.....	D23/377

(Continued)

*Primary Examiner* — Susan Bennett Hattan

*Assistant Examiner* — Marie Fast Horse

(74) *Attorney, Agent, or Firm* — Baker & McKenzie LLP

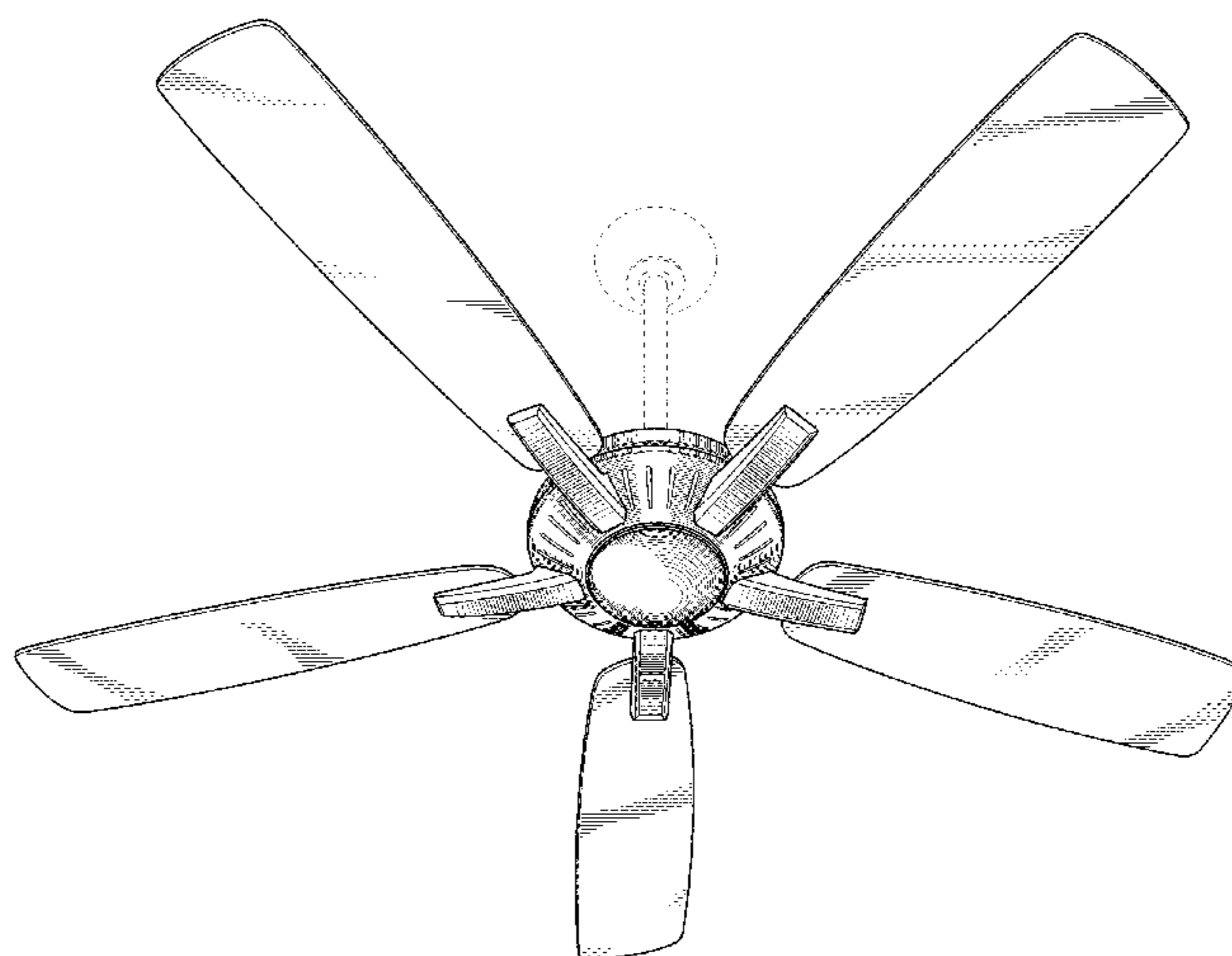
(57) **CLAIM**

The ornamental design for a combination ceiling fan and light fixture, as shown and described.

**DESCRIPTION**

FIG. 1 is a perspective view of a combination ceiling fan and light fixture in accordance with my design;  
 FIG. 2 is a top plan view of the combination ceiling fan and light fixture in accordance with my design;  
 FIG. 3 is a bottom plan view of the combination ceiling fan and light fixture in accordance with my design;  
 FIG. 4 is a rear elevation view of the combination ceiling fan and light fixture in accordance with my design;  
 FIG. 5 is a front elevation view of the combination ceiling fan and light fixture in accordance with my design;  
 FIG. 6 is a right-side elevation view of the combination ceiling fan and light fixture in accordance with my design; and,  
 FIG. 7 is a left-side elevation view of the combination ceiling fan and light fixture in accordance with my design.  
 The broken-line disclosure of elements is understood to represent portions of the article in which the design is embodied, but which form no part of the claimed design.

**1 Claim, 5 Drawing Sheets**



(56)

**References Cited**

U.S. PATENT DOCUMENTS

D594,958 S *	6/2009	Hidalgo .....	D23/377	D635,236 S *	3/2011	Orozco .....	D23/377
D599,461 S *	9/2009	Ertze .....	D23/377	D648,843 S *	11/2011	Chen .....	D23/411
D607,096 S *	12/2009	Searle .....	D23/377	D706,920 S *	6/2014	Cohen .....	D23/411
D627,051 S *	11/2010	Pan .....	D23/411	D744,629 S *	12/2015	Wang .....	D23/377
				2003/0219340 A1 *	11/2003	Hidalgo .....	F04D 29/34 416/206

\* cited by examiner

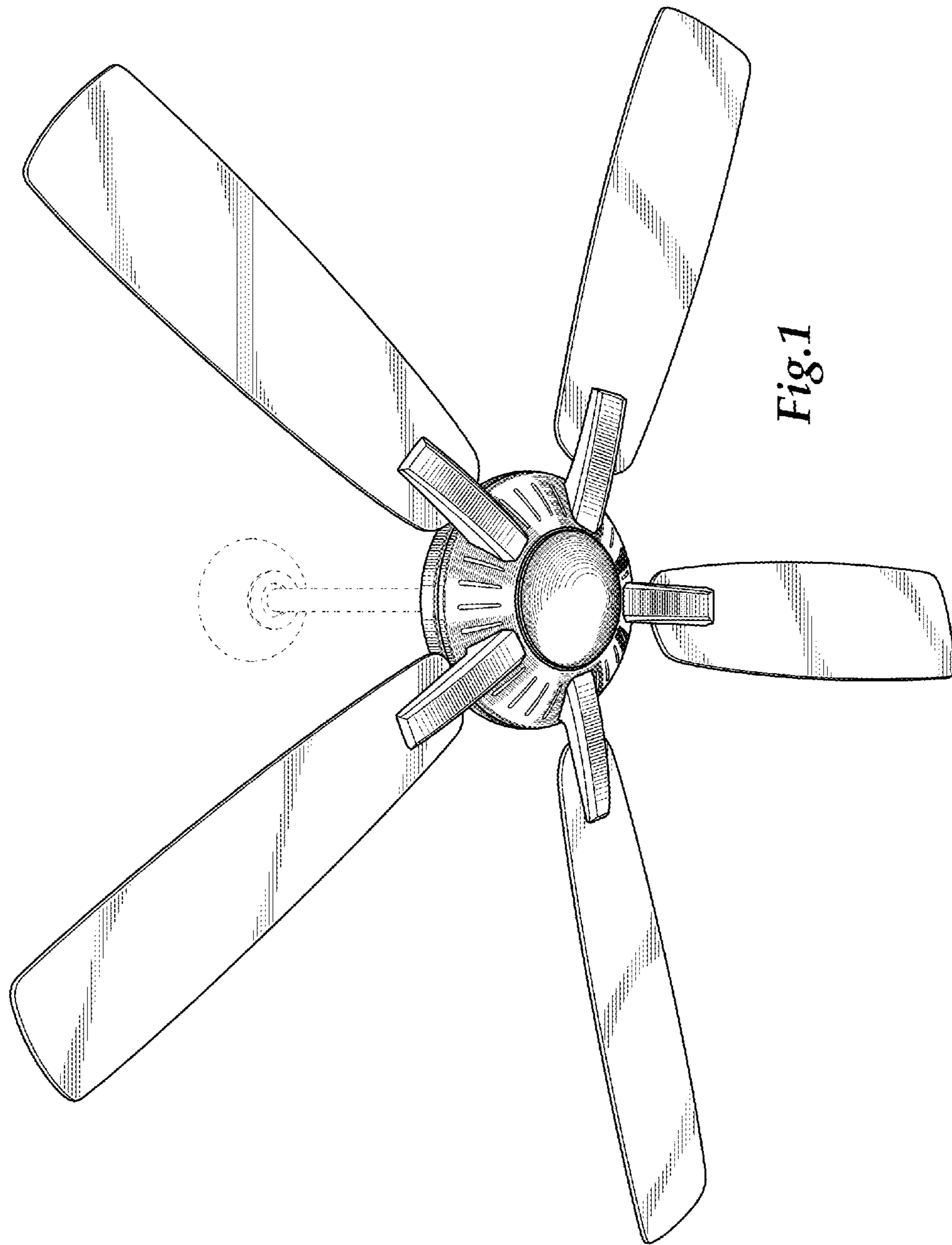
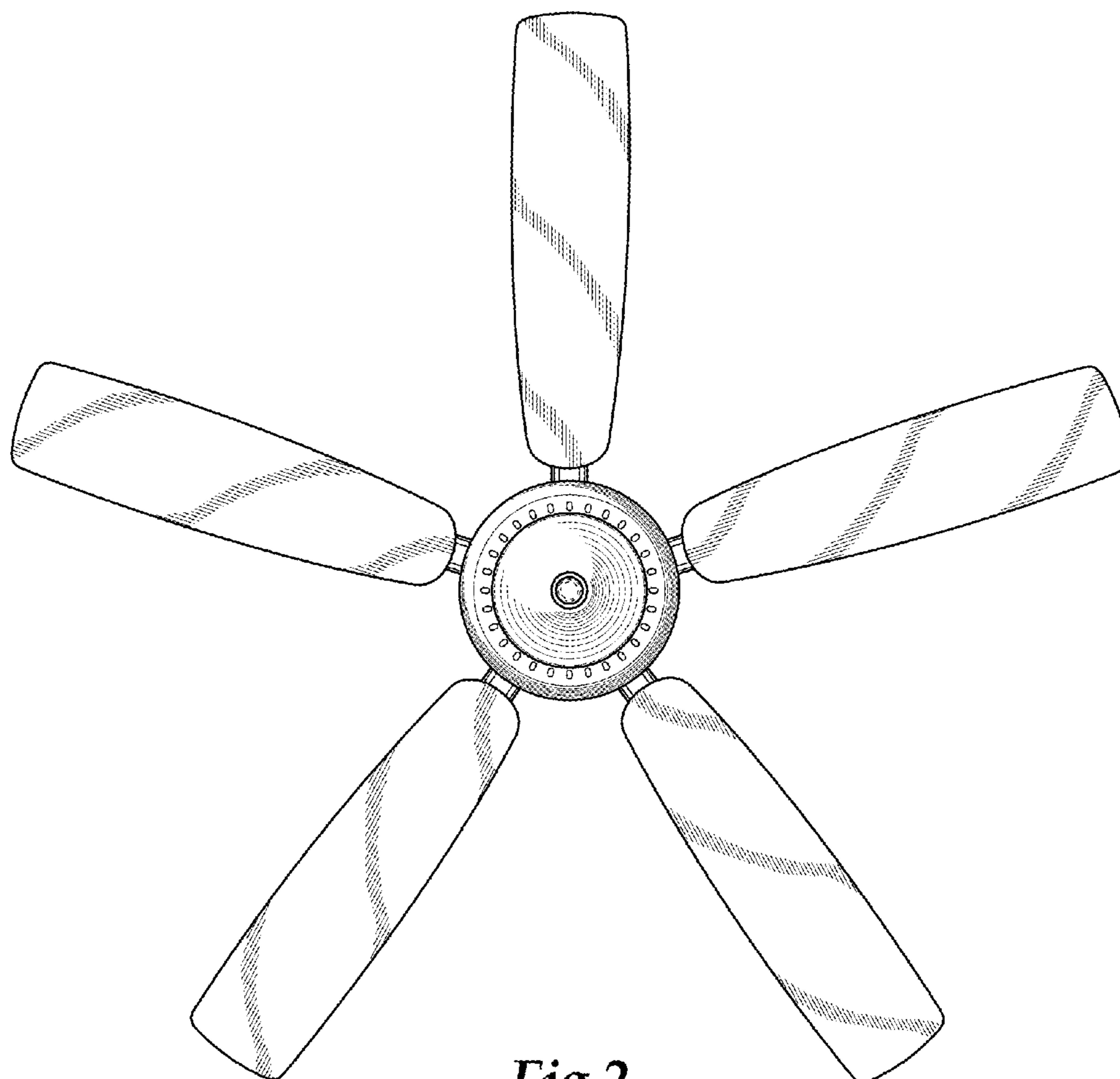
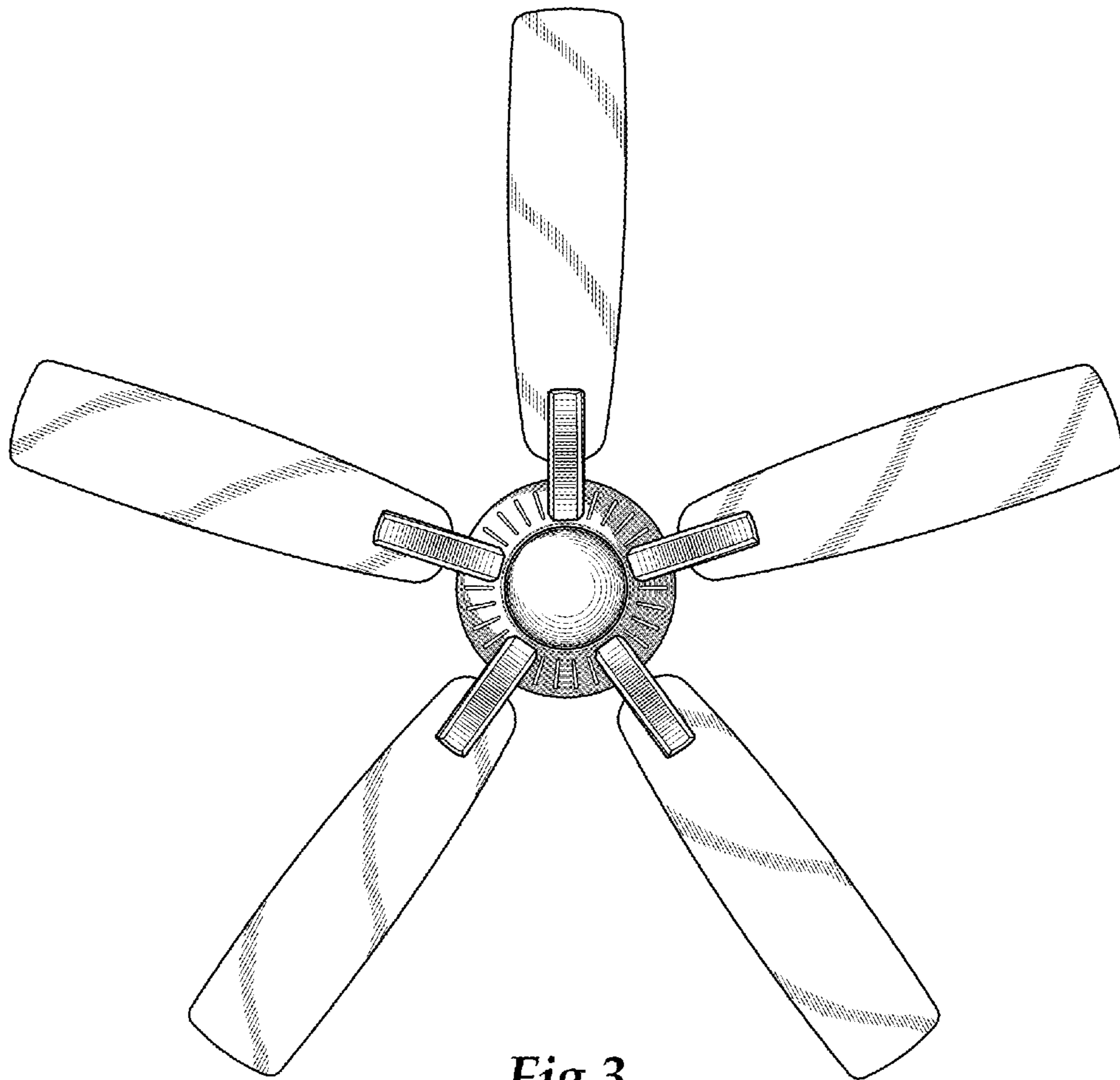


Fig. 1



*Fig.2*



*Fig.3*

