

US00D762834S

(12) **United States Design Patent**
Kaufmann et al.

(10) **Patent No.:** **US D762,834 S**

(45) **Date of Patent:** **** Aug. 2, 2016**

(54) **AIR FILTER**

(71) Applicant: **MANN+HUMMEL GMBH**,
Ludwigsburg (DE)

(72) Inventors: **Michael Kaufmann**, Meckenheim (DE);
Peter Theiss, Stuttgart (DE)

(73) Assignee: **MANN+HUMMEL GMBH**,
Ludwigsburg (DE)

(**) Term: **14 Years**

(21) Appl. No.: **29/516,901**

(22) Filed: **Feb. 6, 2015**

(30) **Foreign Application Priority Data**

Sep. 17, 2014 (CN) 2014 3 03439539

(51) **LOC (10) Cl.** **23-04**

(52) **U.S. Cl.**
USPC **D23/365**

(58) **Field of Classification Search**
USPC D23/355–365, 386–388, 314, 325,
D23/333–336; 55/478, 482, 483, 490, 497,
55/498, 520, 521, 529
CPC B01D 46/00; B01D 46/0004; B01D 27/04;
B01D 27/06; B01D 39/00

See application file for complete search history.

(56) **References Cited**

U.S. PATENT DOCUMENTS

D318,106 S *	7/1991	Arold	D23/314
D356,862 S *	3/1995	Ito	D23/325
D417,266 S *	11/1999	Ito	D23/325
D421,296 S *	2/2000	Kemp	D23/314
D428,978 S *	8/2000	Ito	D23/325
D617,434 S *	6/2010	Aregger	D23/314
D732,647 S *	6/2015	McPhilliamy	D23/355
2014/0260996 A1 *	9/2014	Grider	B01D 46/0004 96/402

* cited by examiner

Primary Examiner — Sandra Snapp

(74) *Attorney, Agent, or Firm* — James Hasselbeck

(57) **CLAIM**

We claim the ornamental design for an air filter, as shown and described.

DESCRIPTION

FIG. 1 is a left front perspective view of an air filter showing our new design;

FIG. 2 is a right side elevational view thereof;

FIG. 3 is a left side elevational view thereof;

FIG. 4 is a rear elevational view thereof;

FIG. 5 is a front elevational view thereof;

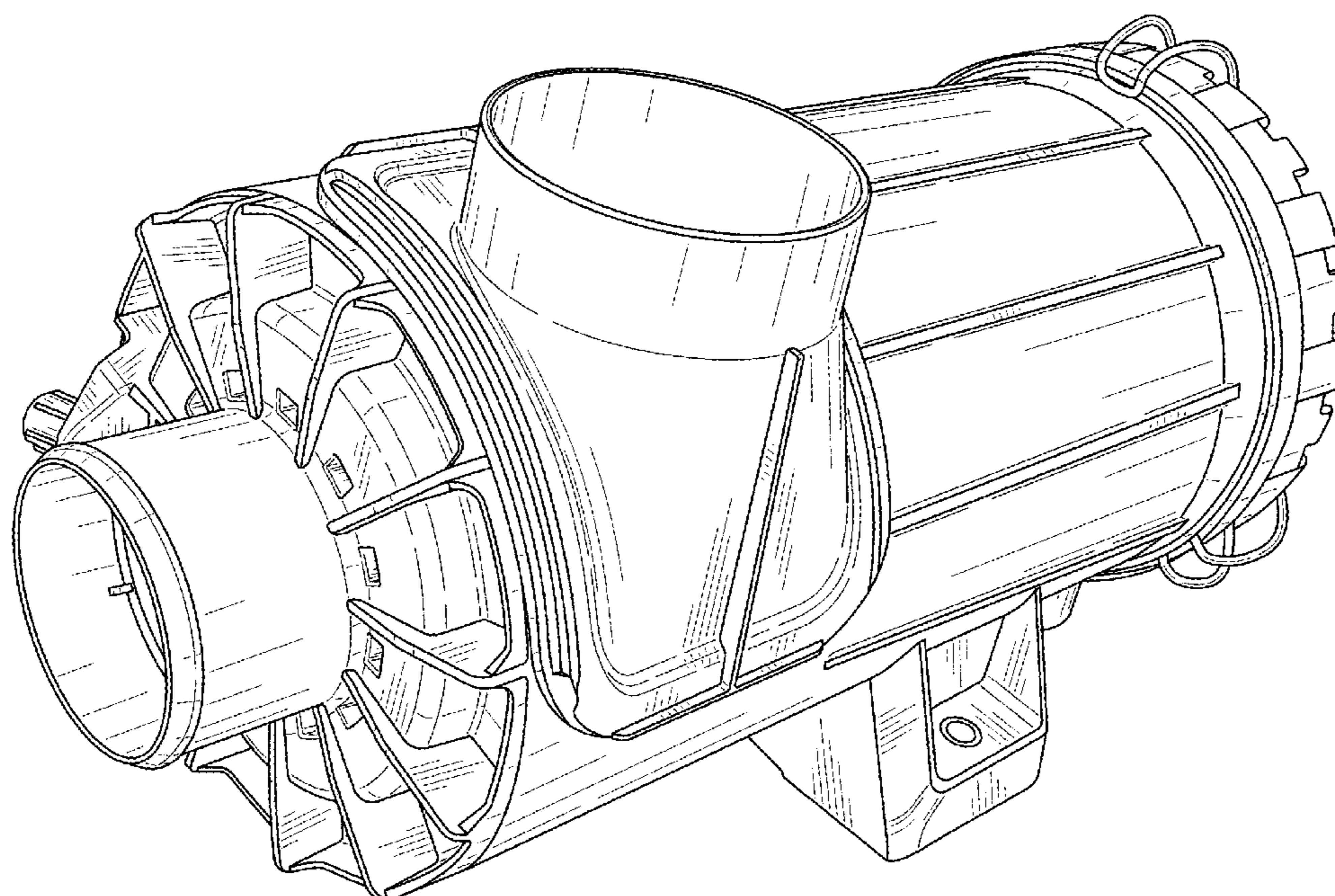
FIG. 6 is a top view thereof;

FIG. 7 is a bottom view thereof;

FIG. 8 is a right front perspective view thereof; and,

FIG. 9 is a left bottom perspective view thereof.

1 Claim, 9 Drawing Sheets



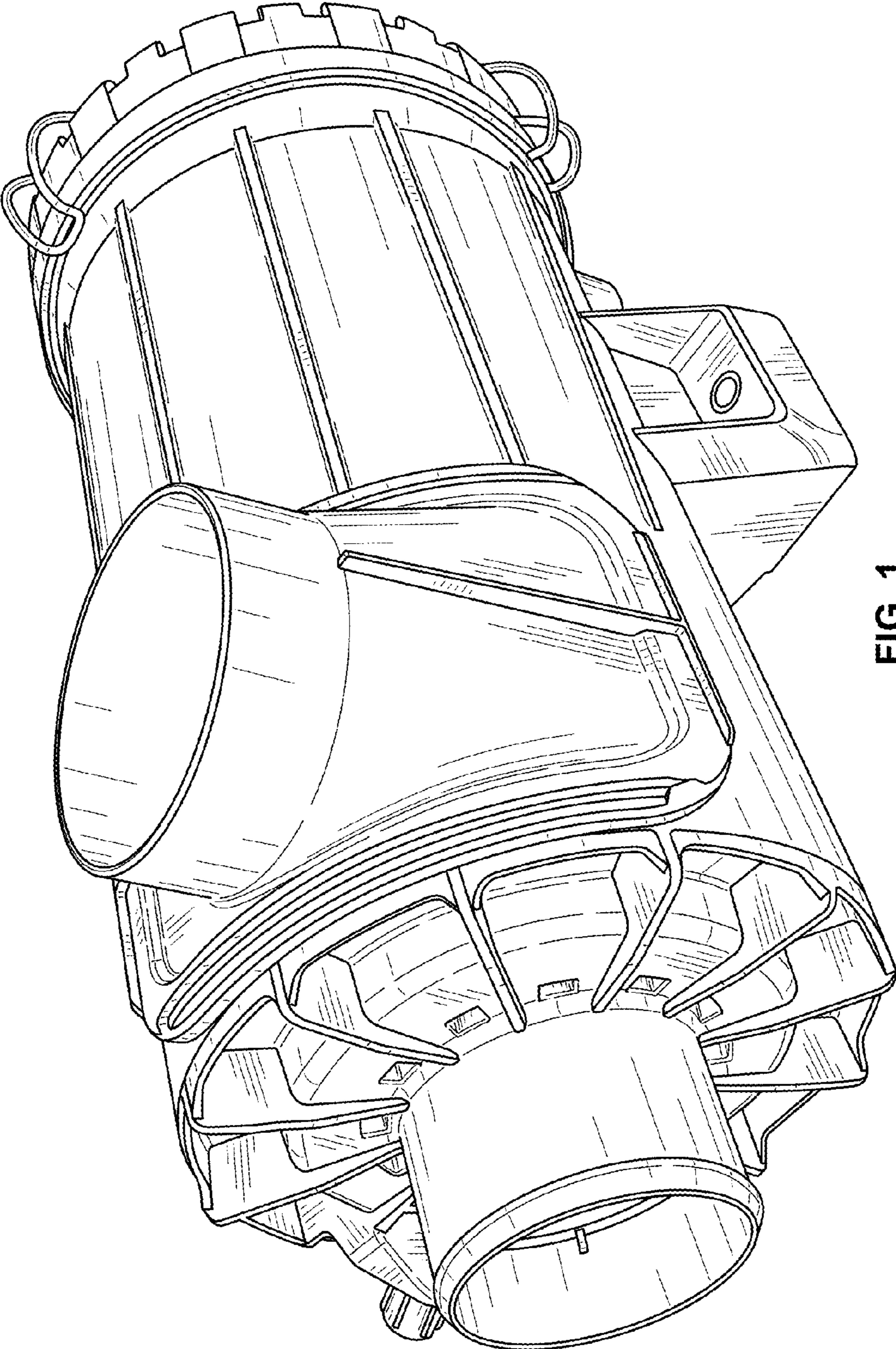


FIG. 1

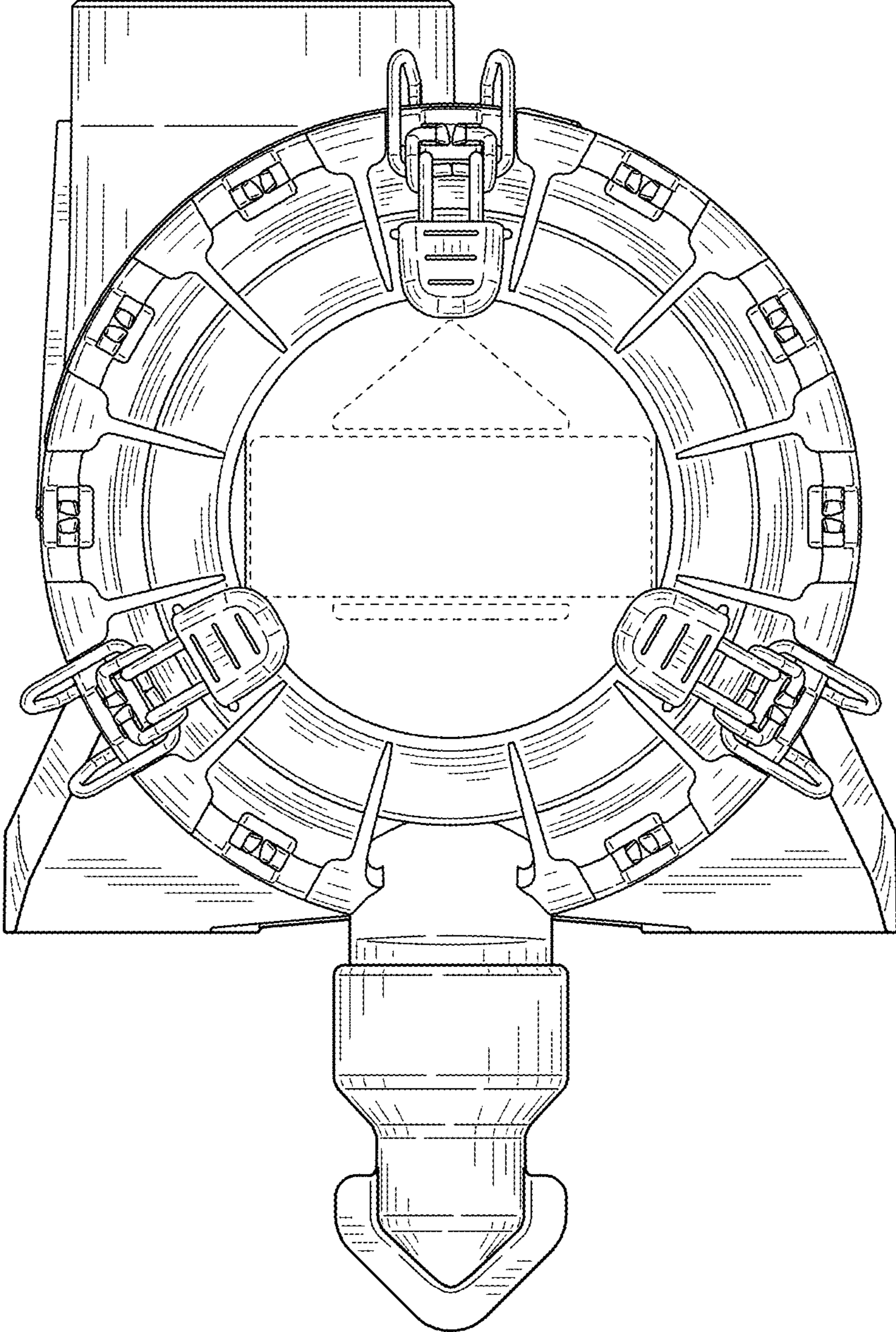


FIG. 2

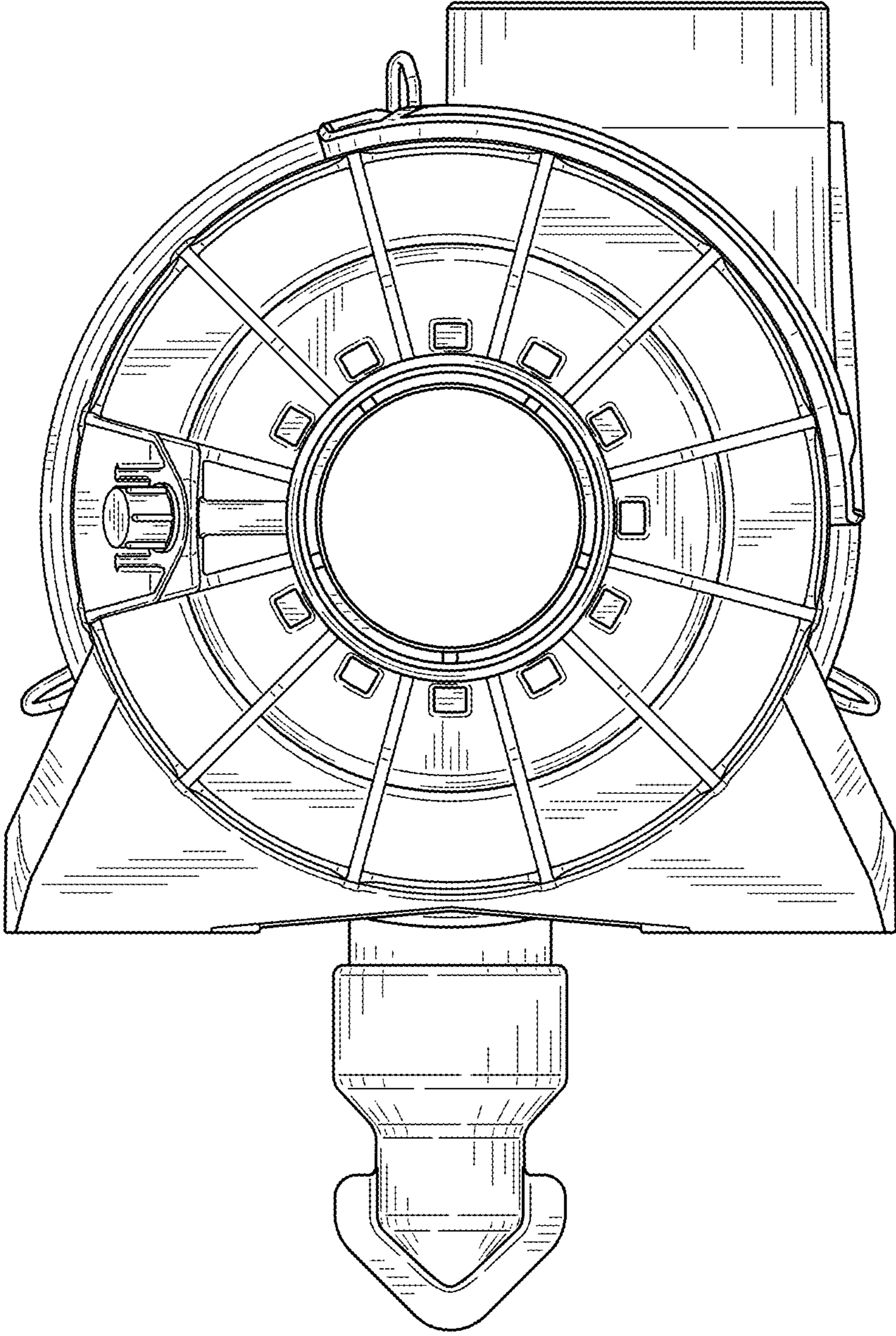


FIG. 3

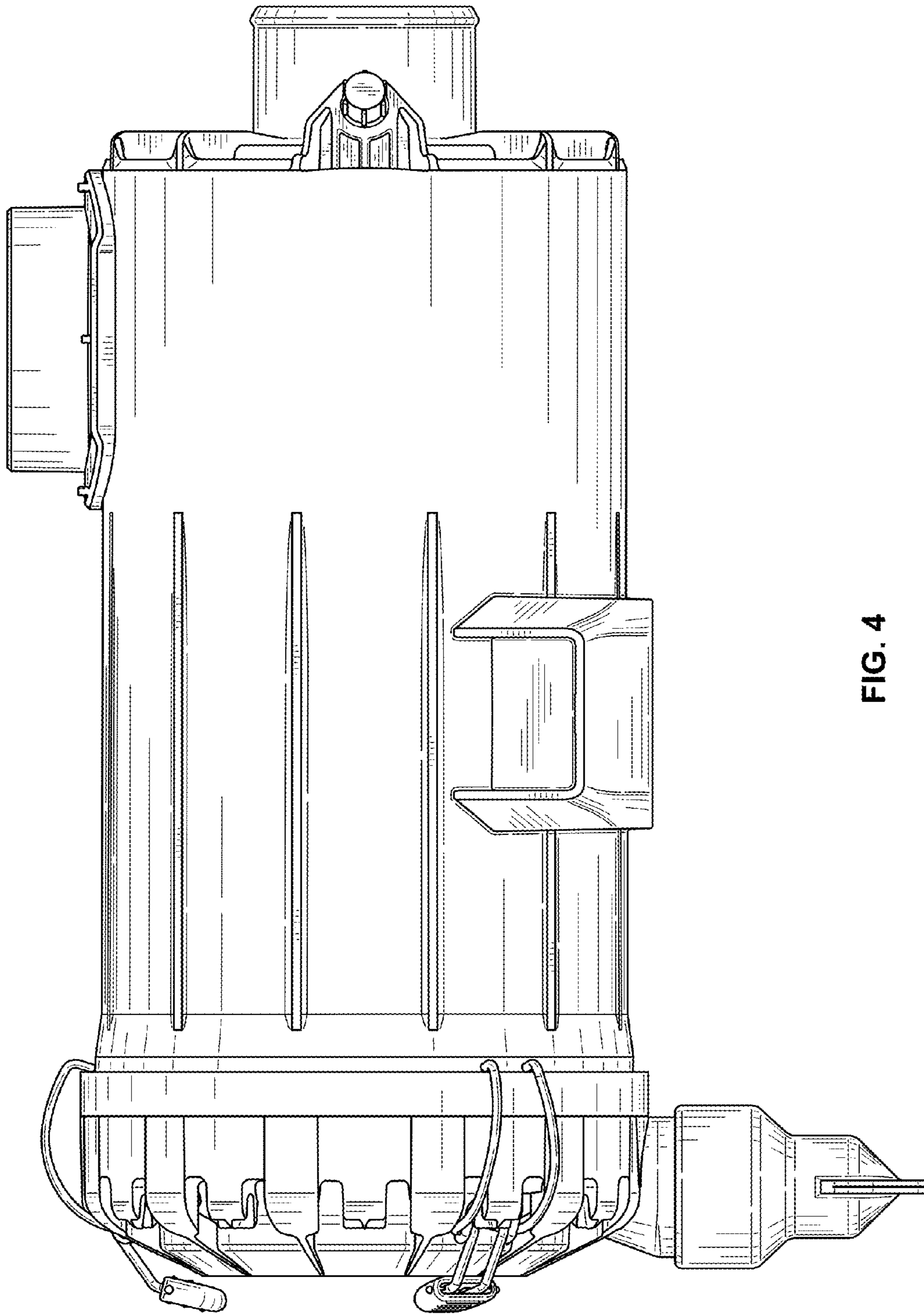


FIG. 4

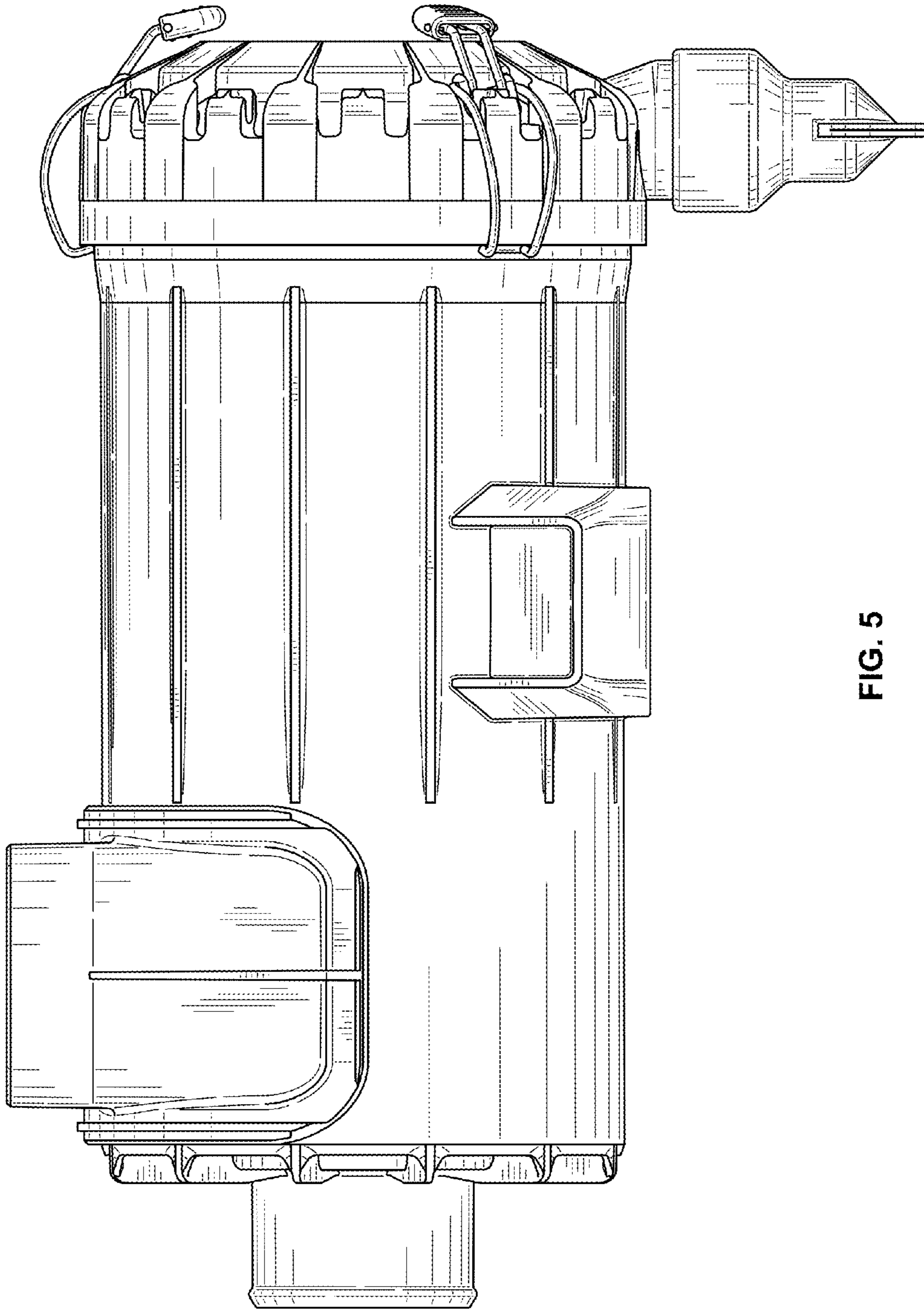


FIG. 5

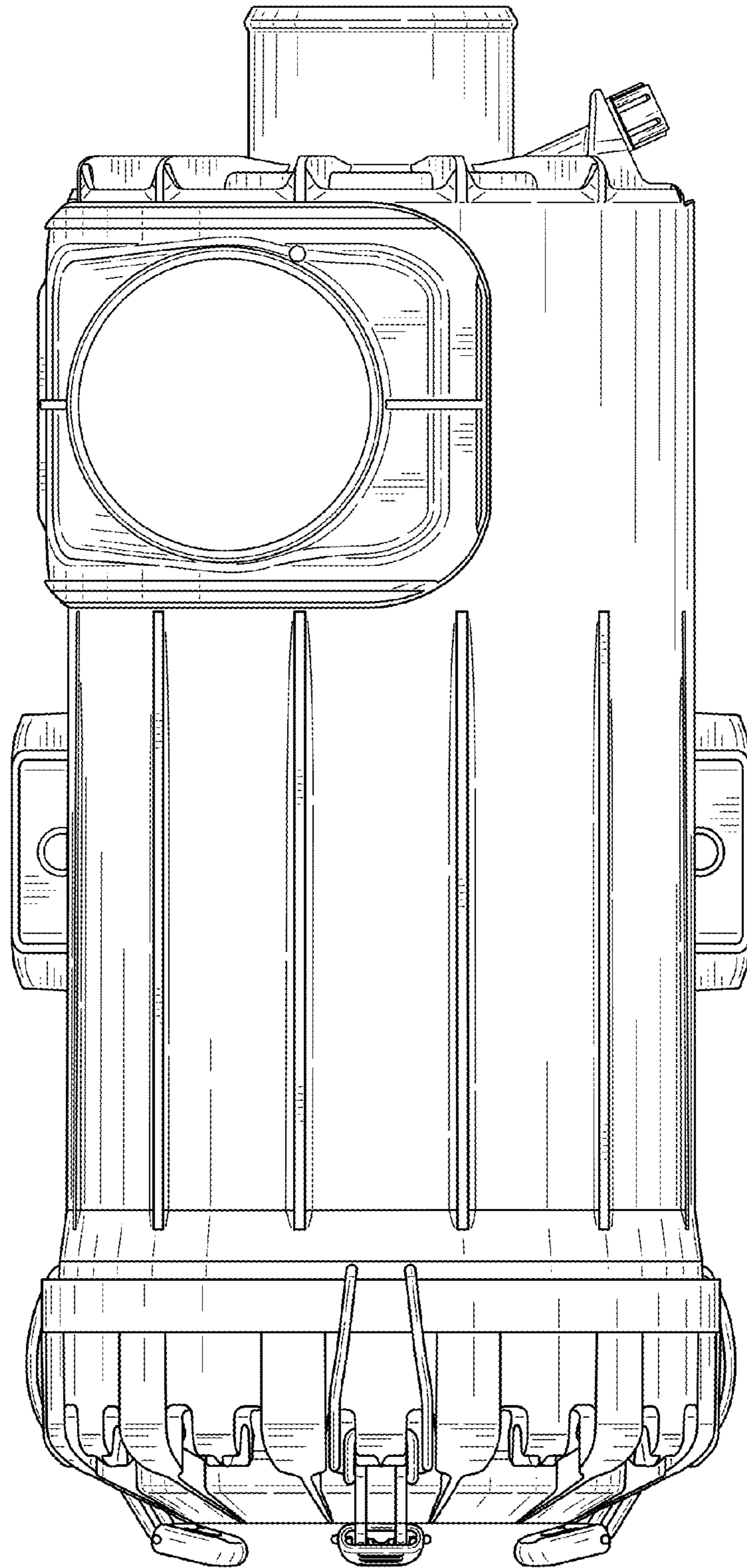


FIG. 6

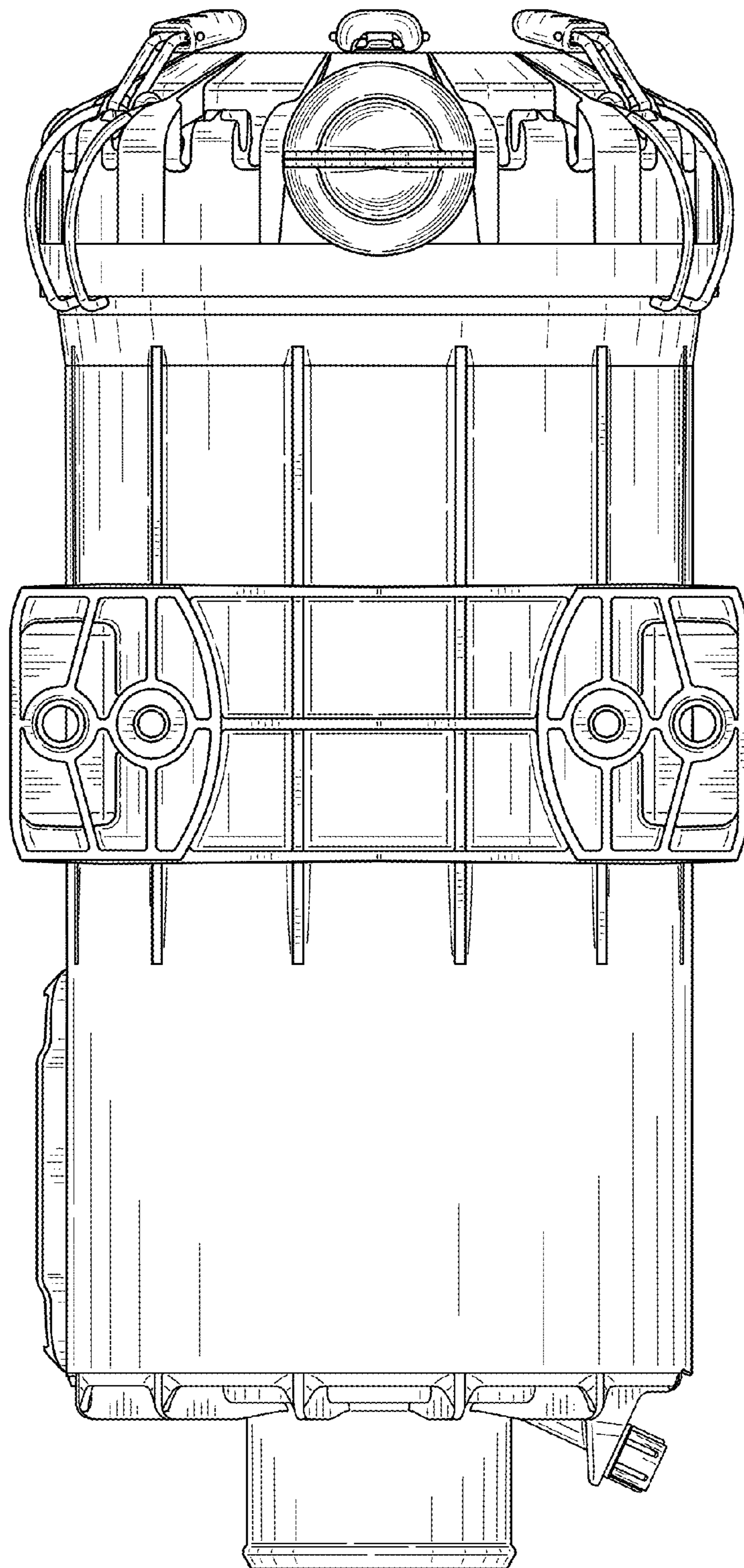


FIG. 7

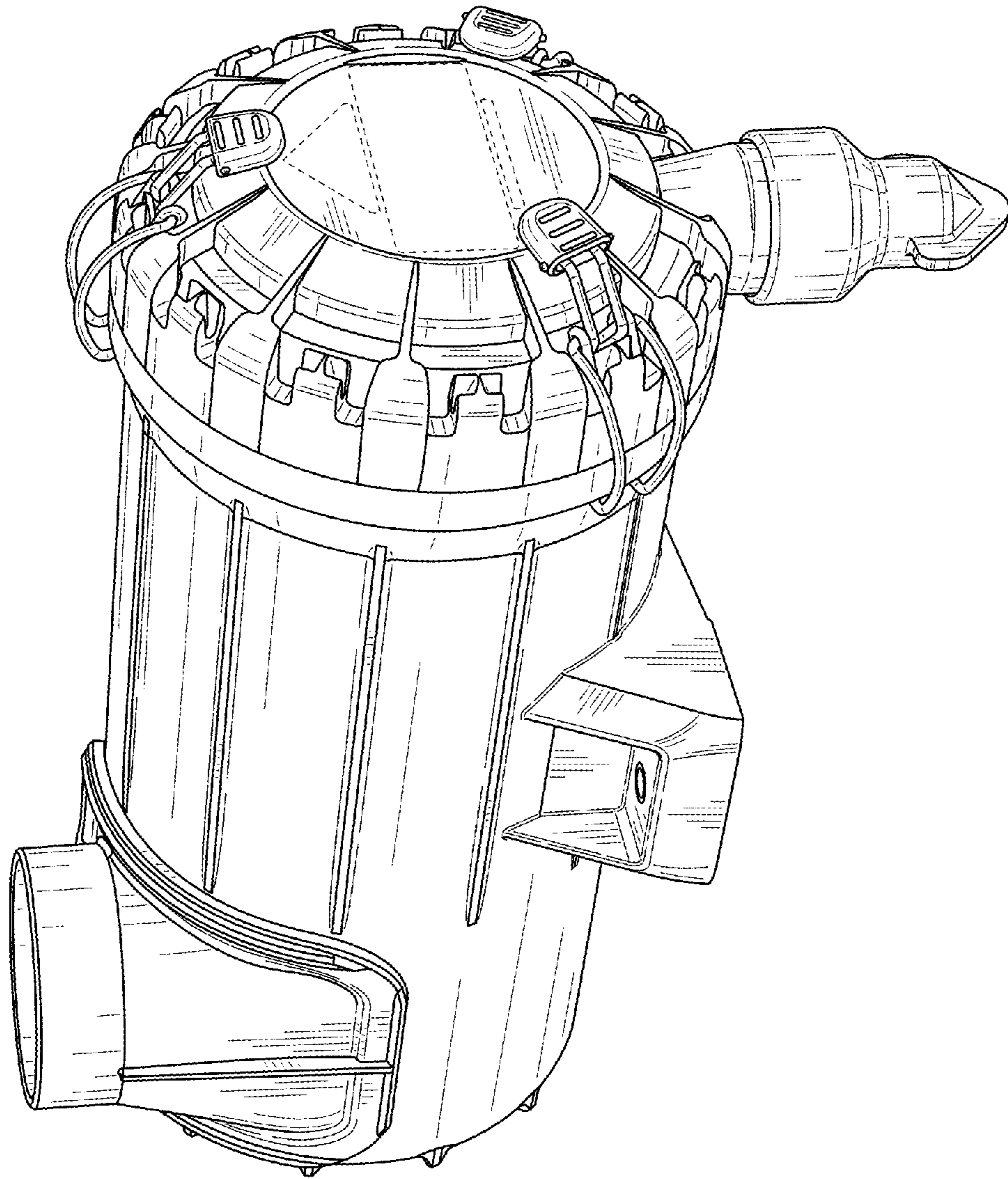


FIG. 8

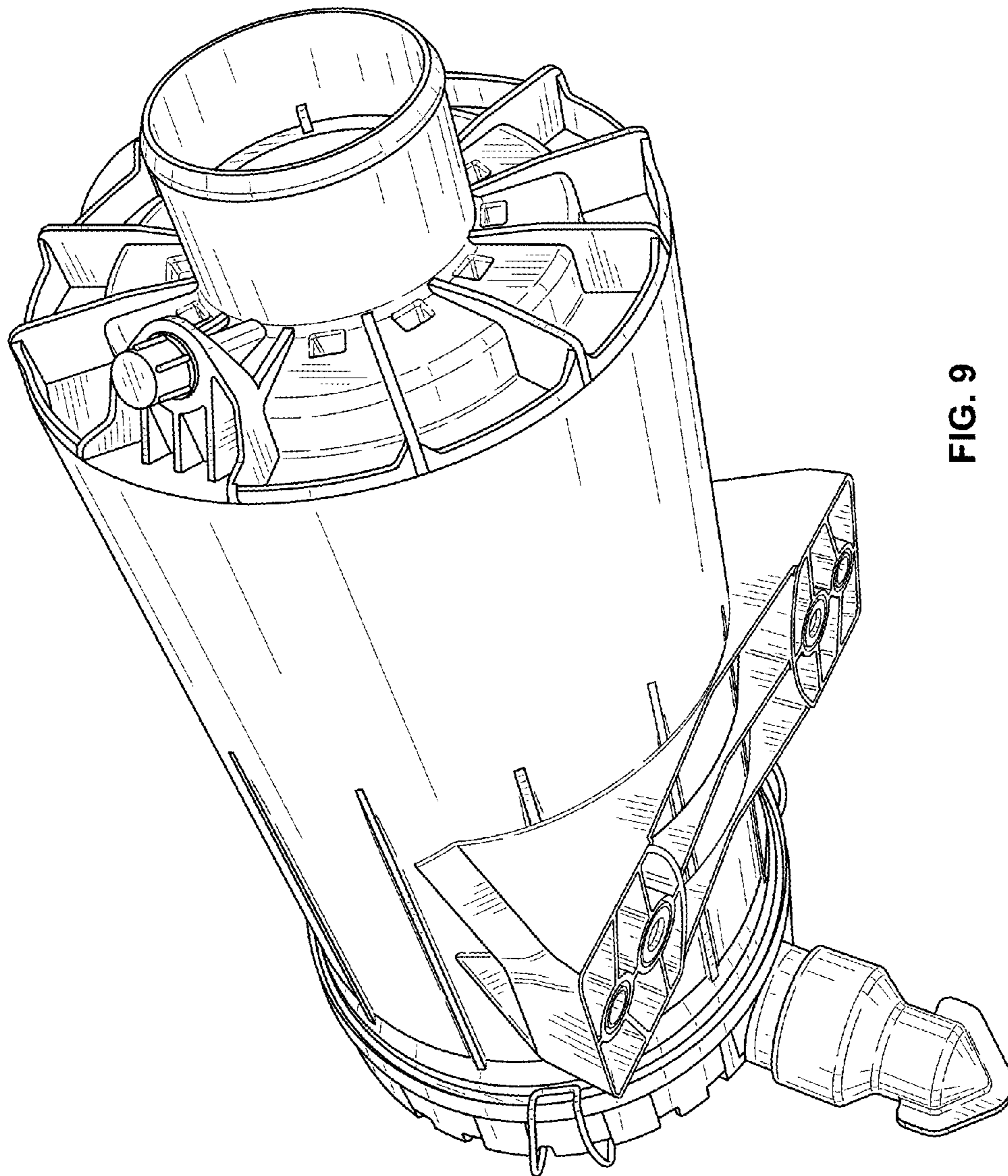


FIG. 9