



US00D762833S

(12) **United States Design Patent**
Ogg

(10) **Patent No.:** **US D762,833 S**

(45) **Date of Patent:** **** Aug. 2, 2016**

(54) **AIR FILTER FOR AIR CONDITIONER**

(71) Applicant: **LG ELECTRONICS INC.**, Seoul (KR)

(72) Inventor: **Anthony Ogg**, Edgewater, NJ (US)

(73) Assignee: **LG ELECTRONICS INC.**, Seoul (KR)

(**) Term: **14 Years**

(21) Appl. No.: **29/515,548**

(22) Filed: **Jan. 23, 2015**

(51) **LOC (10) Cl.** **23-04**

(52) **U.S. Cl.**
USPC **D23/365**

(58) **Field of Classification Search**
USPC D23/355-365, 386-388, 314, 325,
D23/333-336; 55/478, 482, 483, 490, 497,
55/498, 520, 521, 529
CPC B01D 46/00; B01D 46/0004; B01D 27/04;
B01D 27/06; B01D 39/00
See application file for complete search history.

(56) **References Cited**

U.S. PATENT DOCUMENTS

- 4,619,675 A * 10/1986 Watanabe B01D 46/106
55/498
- 4,826,513 A * 5/1989 Stackhouse A61L 9/16
96/131

- D401,597 S * 11/1998 Shelton D15/5
- 6,884,274 B2 * 4/2005 Niakan B01D 39/083
123/198 E
- D530,807 S * 10/2006 Miyagishima D15/5
- 8,206,482 B2 * 6/2012 Williams B01D 46/2414
156/184
- D740,927 S * 10/2015 Williams D23/365

* cited by examiner

Primary Examiner — Sandra Snapp

(74) *Attorney, Agent, or Firm* — Birch, Stewart, Kolasch & Birch, LLP

(57) **CLAIM**

I claim the ornamental design for an air filter for air conditioner, as shown and described.

DESCRIPTION

FIG. 1 is a perspective view of an air filter for air conditioner showing my new design;
FIG. 2 is a front elevation view thereof;
FIG. 3 is a rear elevation view thereof;
FIG. 4 is a left-side elevation view thereof;
FIG. 5 is a right-side elevation view thereof;
FIG. 6 is a top plan view thereof;
FIG. 7 is a bottom plan view thereof; and
FIG. 8 is a bottom perspective view thereof.

1 Claim, 5 Drawing Sheets

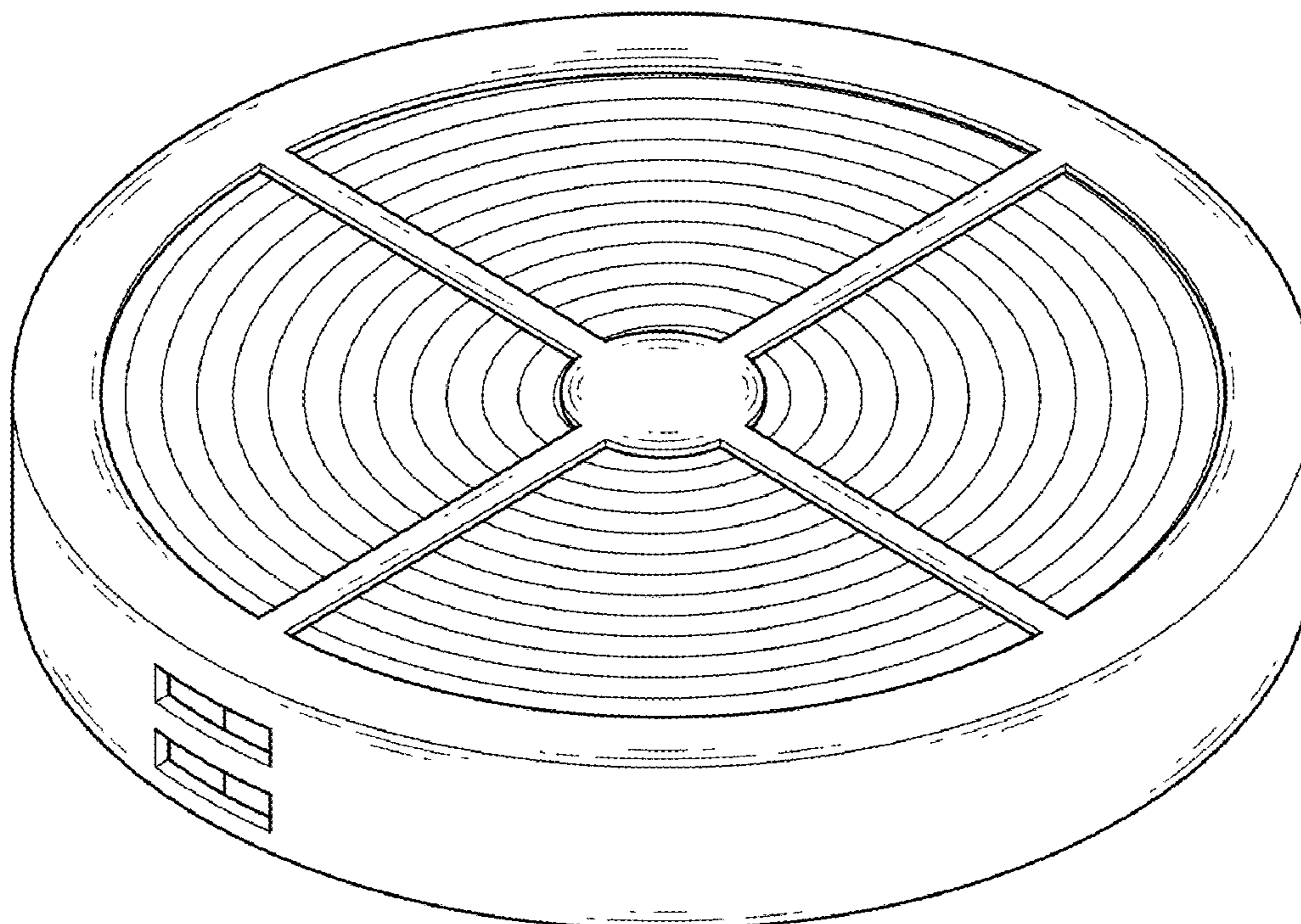


FIG. 1

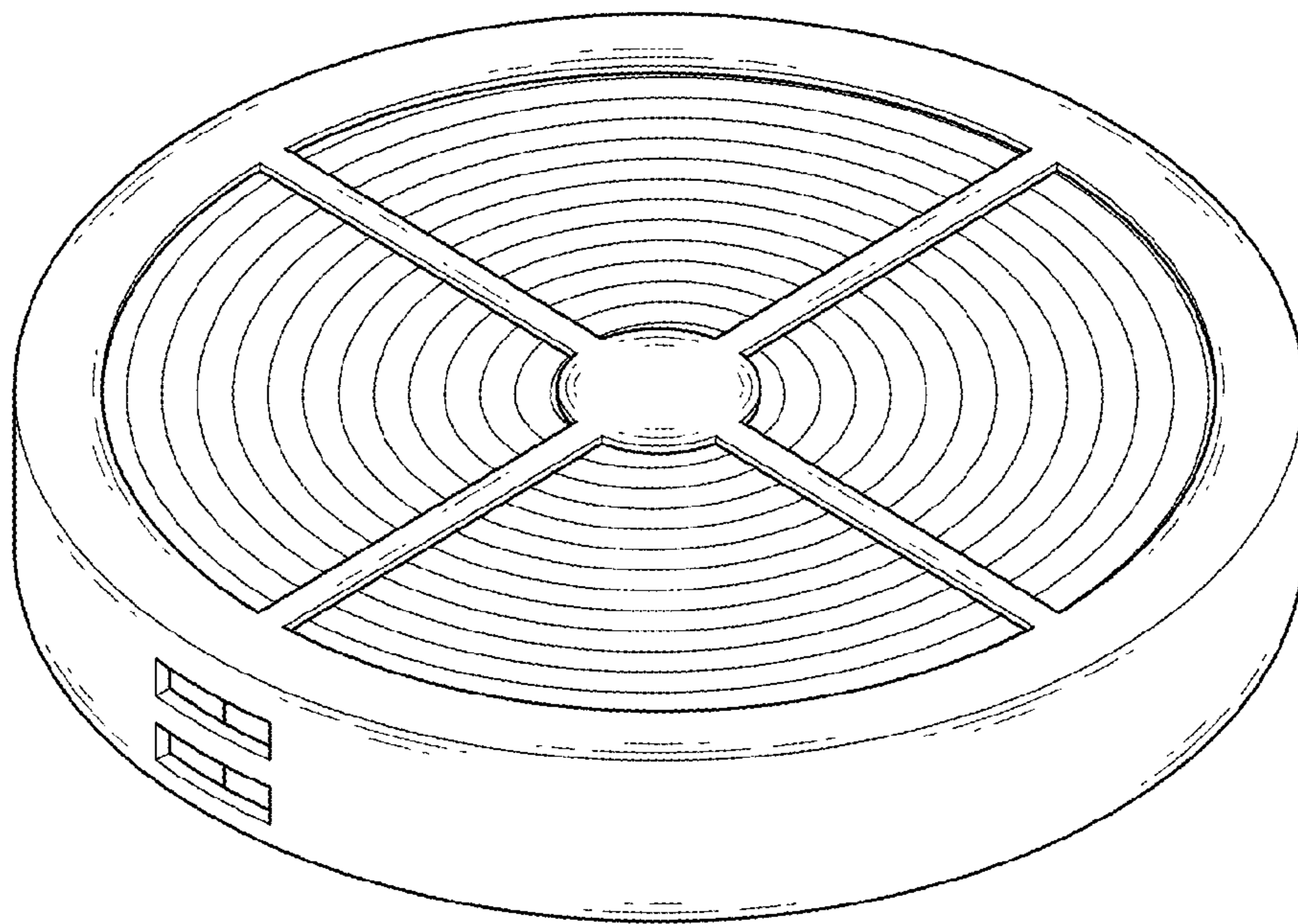


FIG. 2

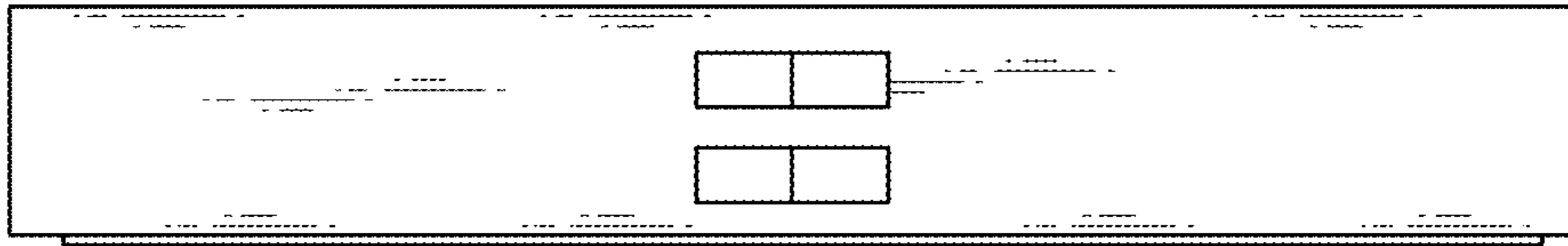


FIG. 3



FIG. 4



FIG. 5

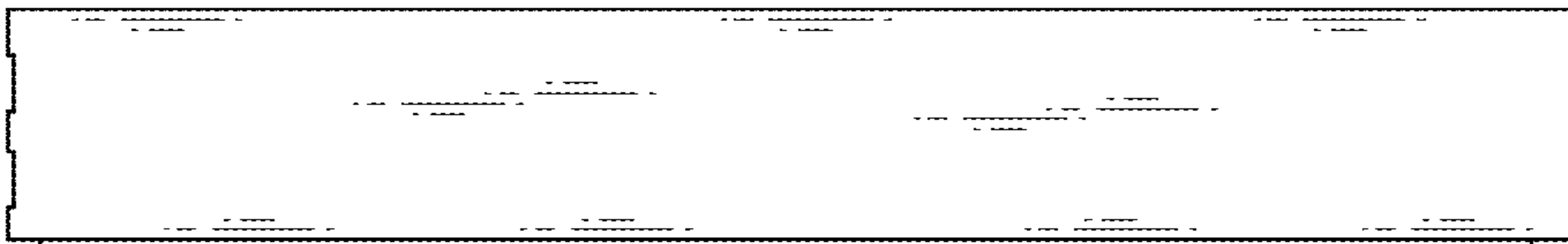


FIG. 6

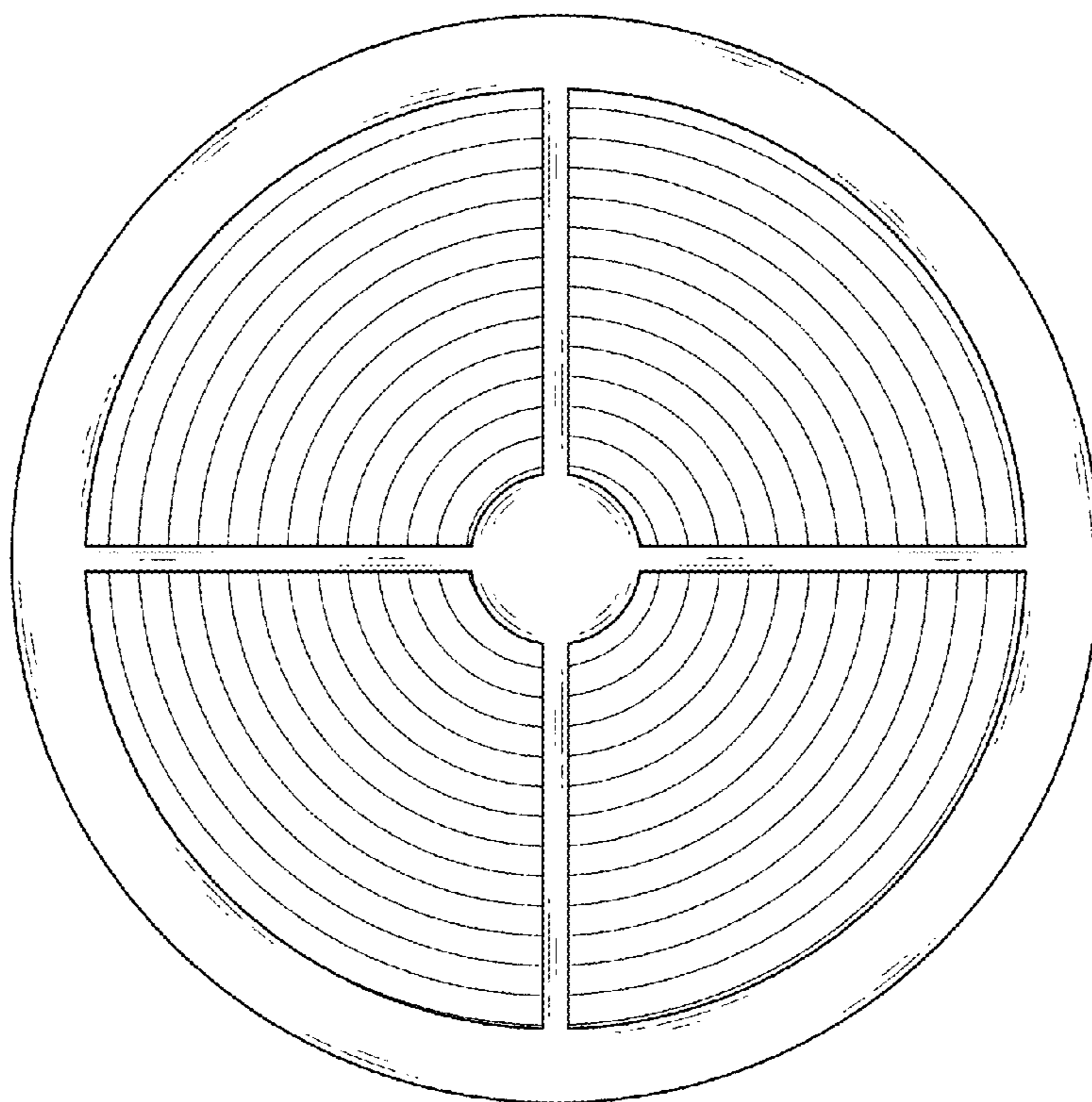


FIG. 7

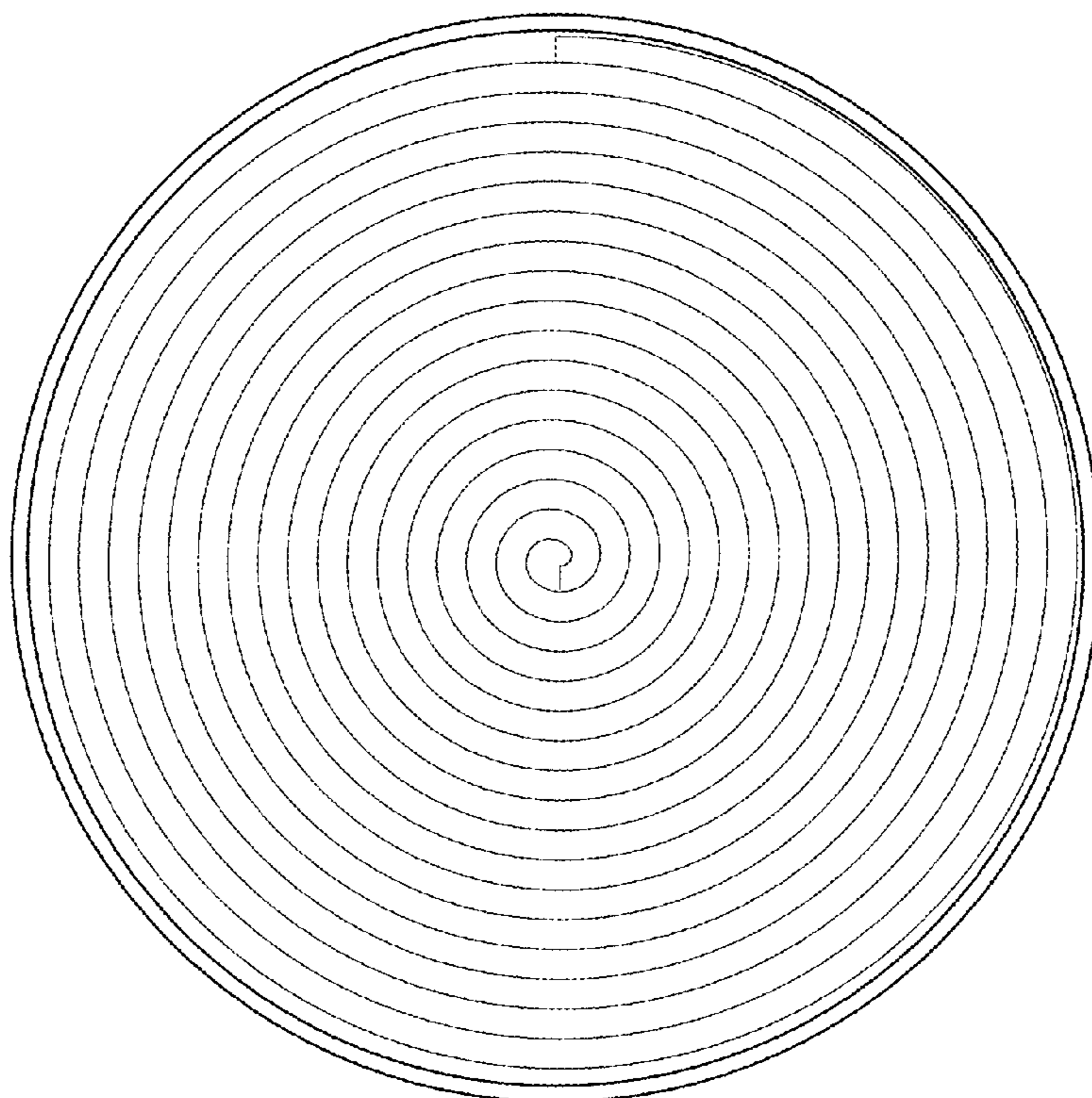


FIG. 8

