



US00D762829S

(12) **United States Design Patent**  
**Goad**

(10) **Patent No.:** **US D762,829 S**  
(45) **Date of Patent:** **\*\* Aug. 2, 2016**

(54) **TOILET**

D670,368 S \* 11/2012 Vanderheyden ..... D23/309  
D688,356 S \* 8/2013 Mendoza ..... D23/301  
D710,979 S \* 8/2014 Spangler ..... D23/301

(71) Applicant: **Kohler Co.**, Kohler, WI (US)

(72) Inventor: **Robin A. Goad**, Sheboygan, WI (US)

(73) Assignee: **KOHLER CO.**, Kohler, WI (US)

(\*\*) Term: **14 Years**

(21) Appl. No.: **29/517,725**

(22) Filed: **Feb. 16, 2015**

(51) **LOC (10) Cl.** ..... **23-02**

(52) **U.S. Cl.**  
USPC ..... **D23/309**

(58) **Field of Classification Search**  
USPC ..... D23/295, 301, 303, 309, 313  
CPC ..... E03D 1/00; E03D 1/01; E03D 11/02  
See application file for complete search history.

(56) **References Cited**

**U.S. PATENT DOCUMENTS**

D268,779 S	4/1983	Doman	
D332,137 S	12/1992	Kohler, Jr. et al.	
D387,858 S	12/1997	McKeone	
D415,563 S	10/1999	McKeone	
D441,437 S	5/2001	McKeone	
D444,864 S	7/2001	McKeone	
D451,175 S	11/2001	Smith	
D455,822 S	4/2002	McKeon	
D484,579 S	12/2003	Bennie	
D496,442 S	9/2004	Bates	
D496,443 S	9/2004	Bates	
D536,428 S	2/2007	Kohler, Jr. et al.	
D536,771 S	2/2007	Chenesseau	
D647,184 S	* 10/2011	Bates	..... D23/295
D657,852 S	4/2012	Vanderheyden et al.	

**OTHER PUBLICATIONS**

Kohler 2014 Fixtures Price Book, pp. 314-336.

\* cited by examiner

*Primary Examiner* — Robert Delehanty

(74) *Attorney, Agent, or Firm* — Foley & Lardner LLP

(57) **CLAIM**

I claim the ornamental design for a toilet, as shown and described.

**DESCRIPTION**

FIG. 1 is a perspective view of an embodiment of the claimed design;

FIG. 2 is a side view of the embodiment shown in FIG. 1;

FIG. 3 is another side view of the embodiment shown in FIG. 1;

FIG. 4 is a front view of the embodiment shown in FIG. 1;

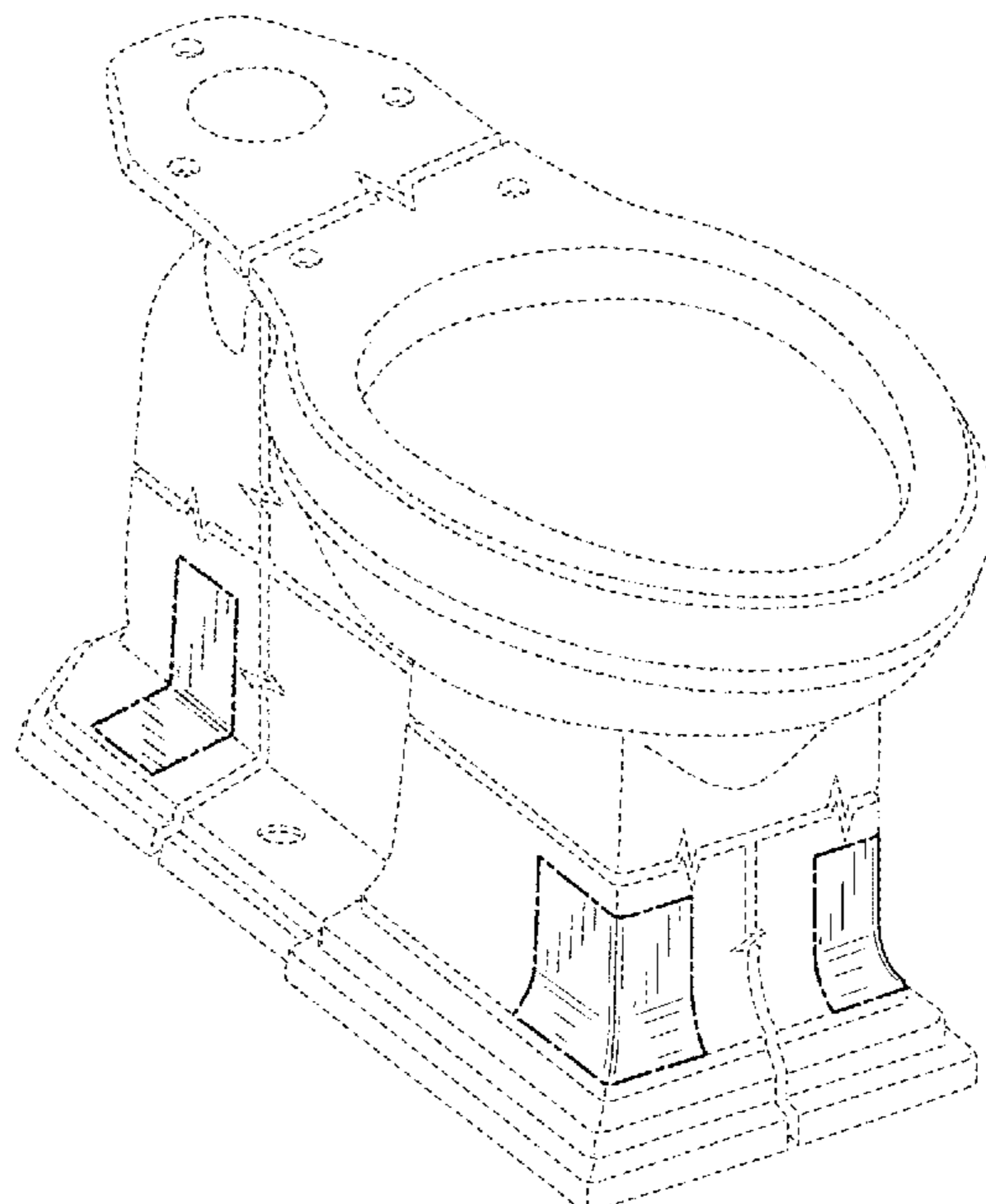
FIG. 5 is a rear view of the embodiment shown in FIG. 1;

FIG. 6 is a top view of the embodiment shown in FIG. 1; and,

FIG. 7 is a bottom view of the embodiment shown in FIG. 1.

The ornamental design that is claimed is shown in the drawings as solid lines and surfaces having surface shading. The broken lines in the drawings are for illustrative purposes only and form no part of the claimed design. For example, broken lines formed by equal length dashes show unclaimed portions of the design. Broken lines formed of unequal length dashes (i.e., dash-dot) show boundaries between claimed and unclaimed portions of the design. Break lines having a jagged element are not part of the claimed design and show that differing lengths of the portion are possible.

**1 Claim, 7 Drawing Sheets**



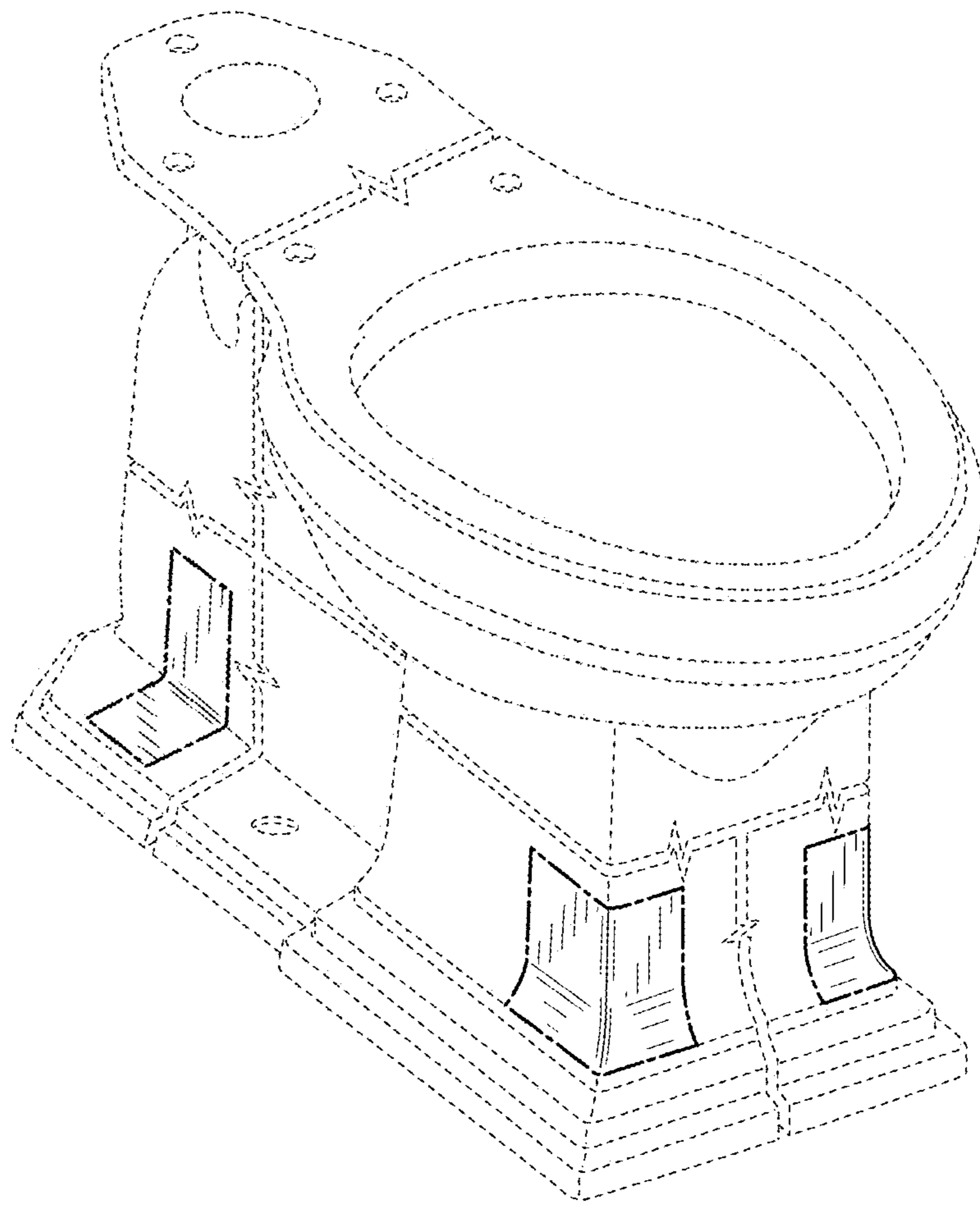


FIG. 1

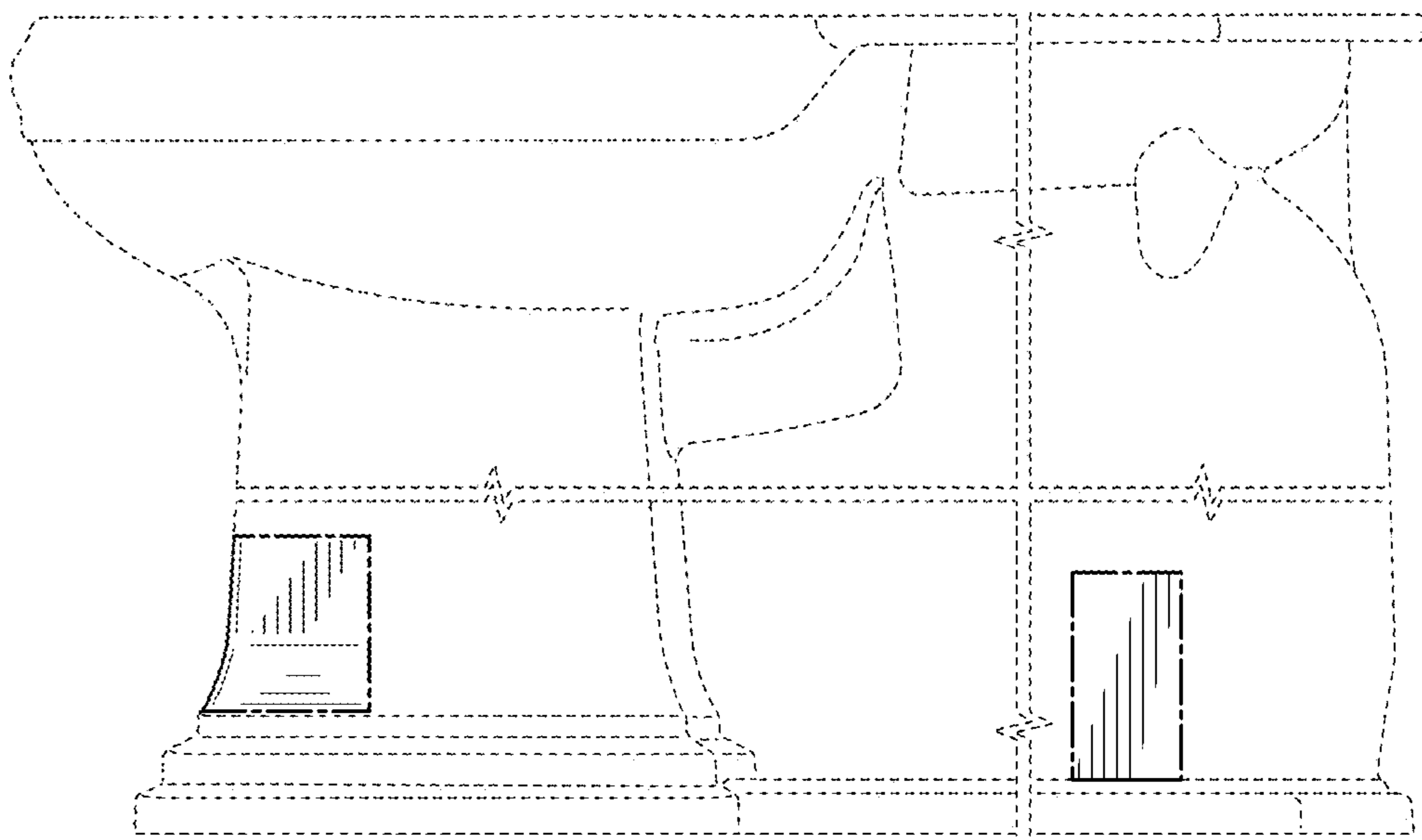


FIG. 2

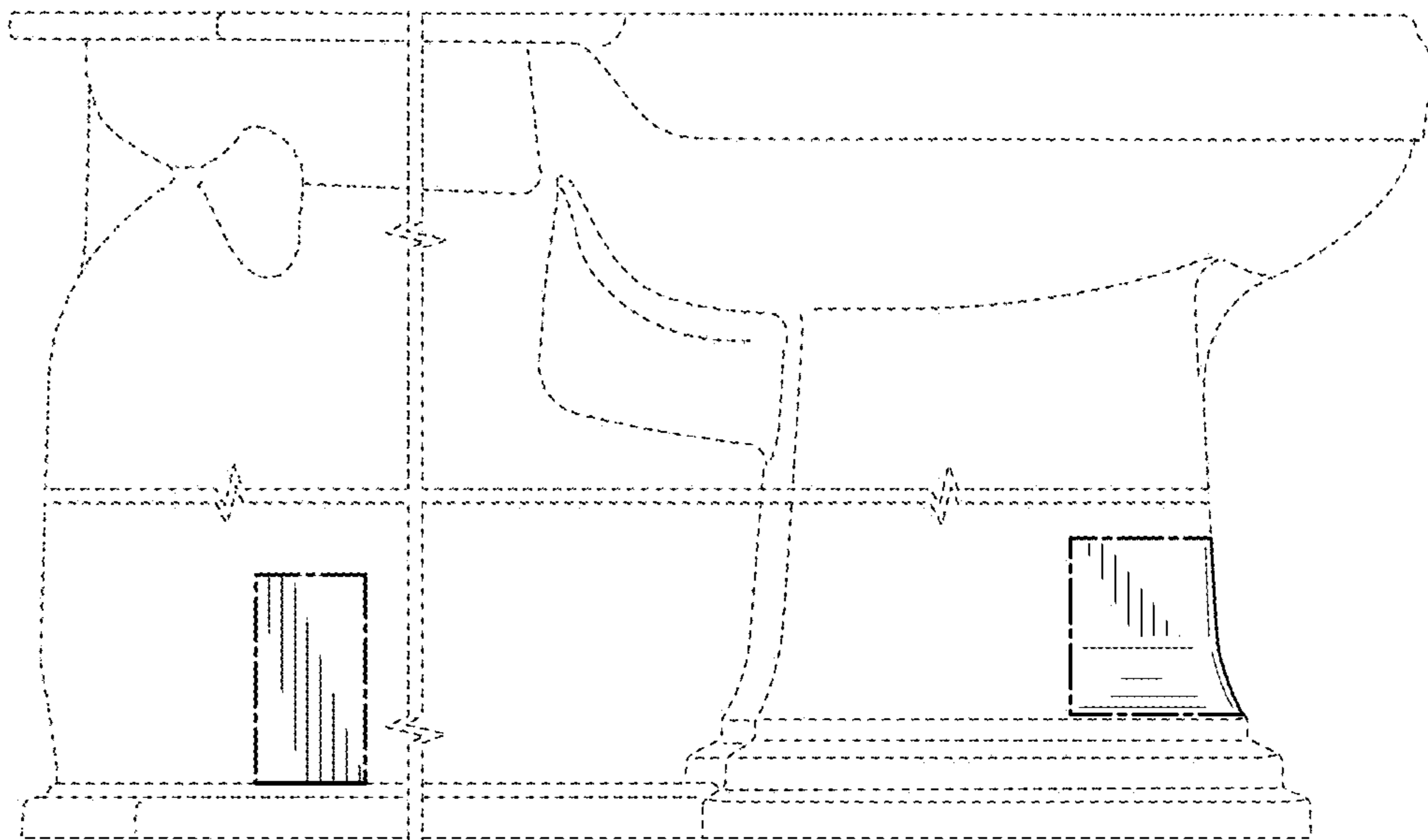
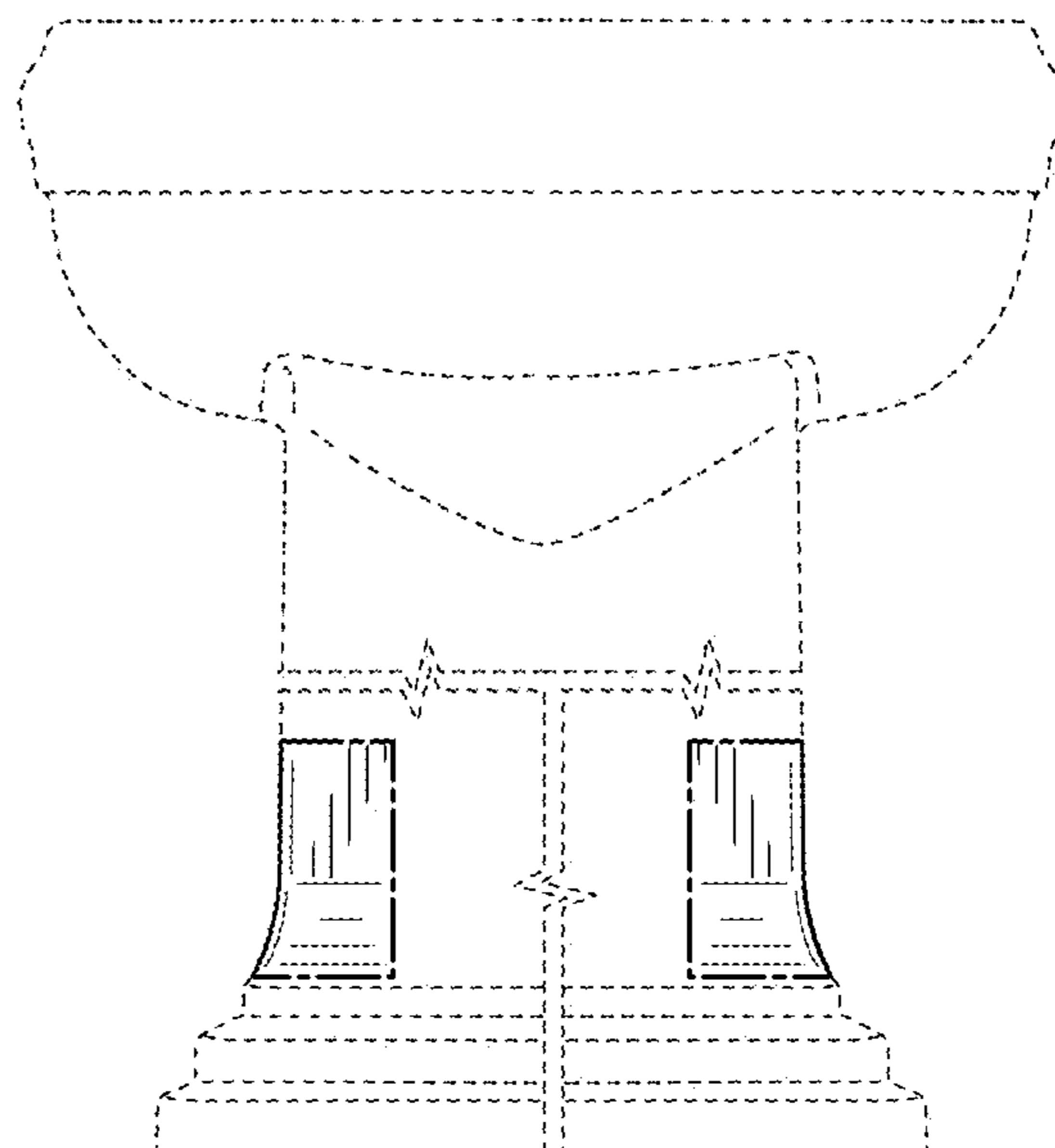
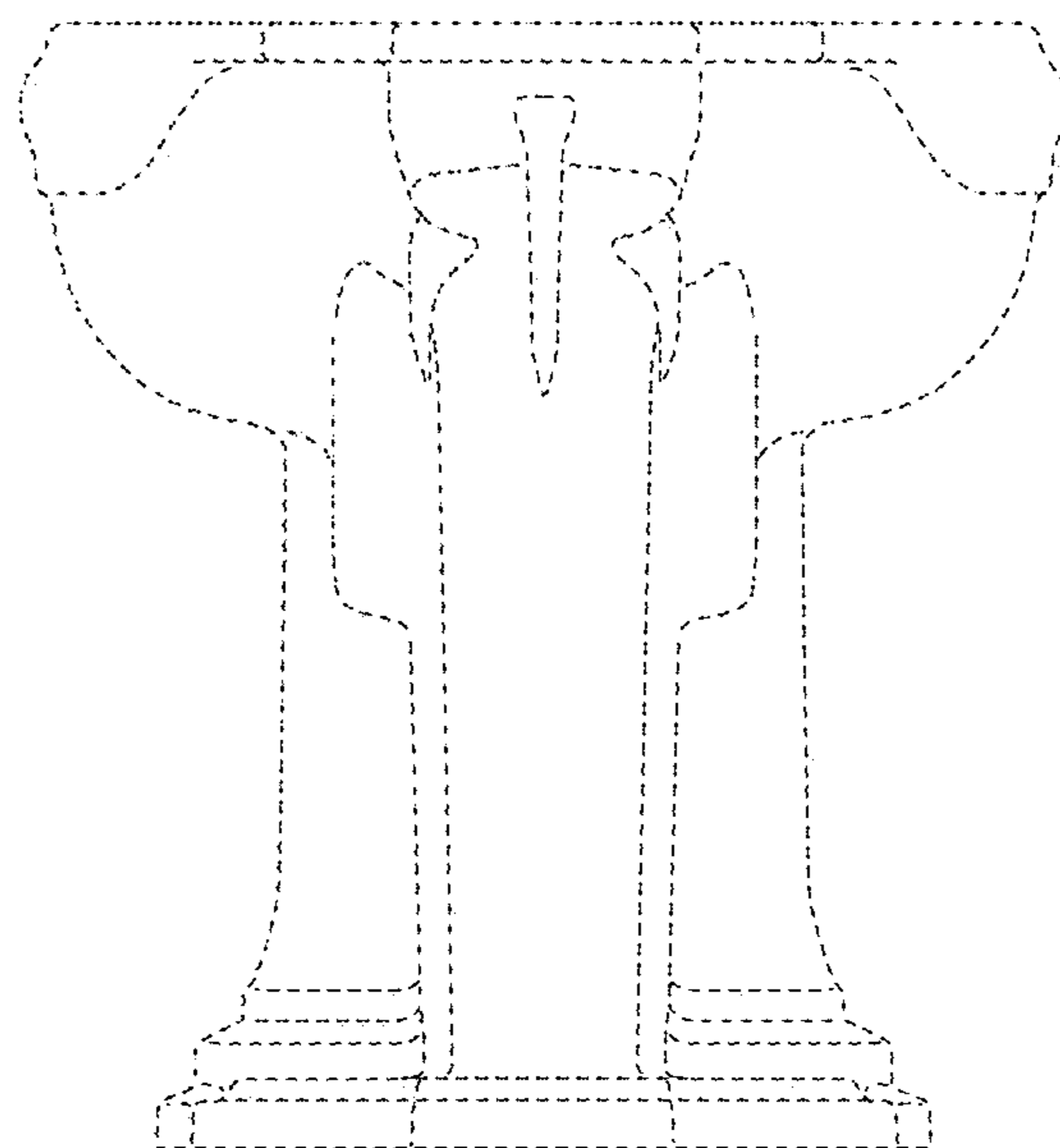


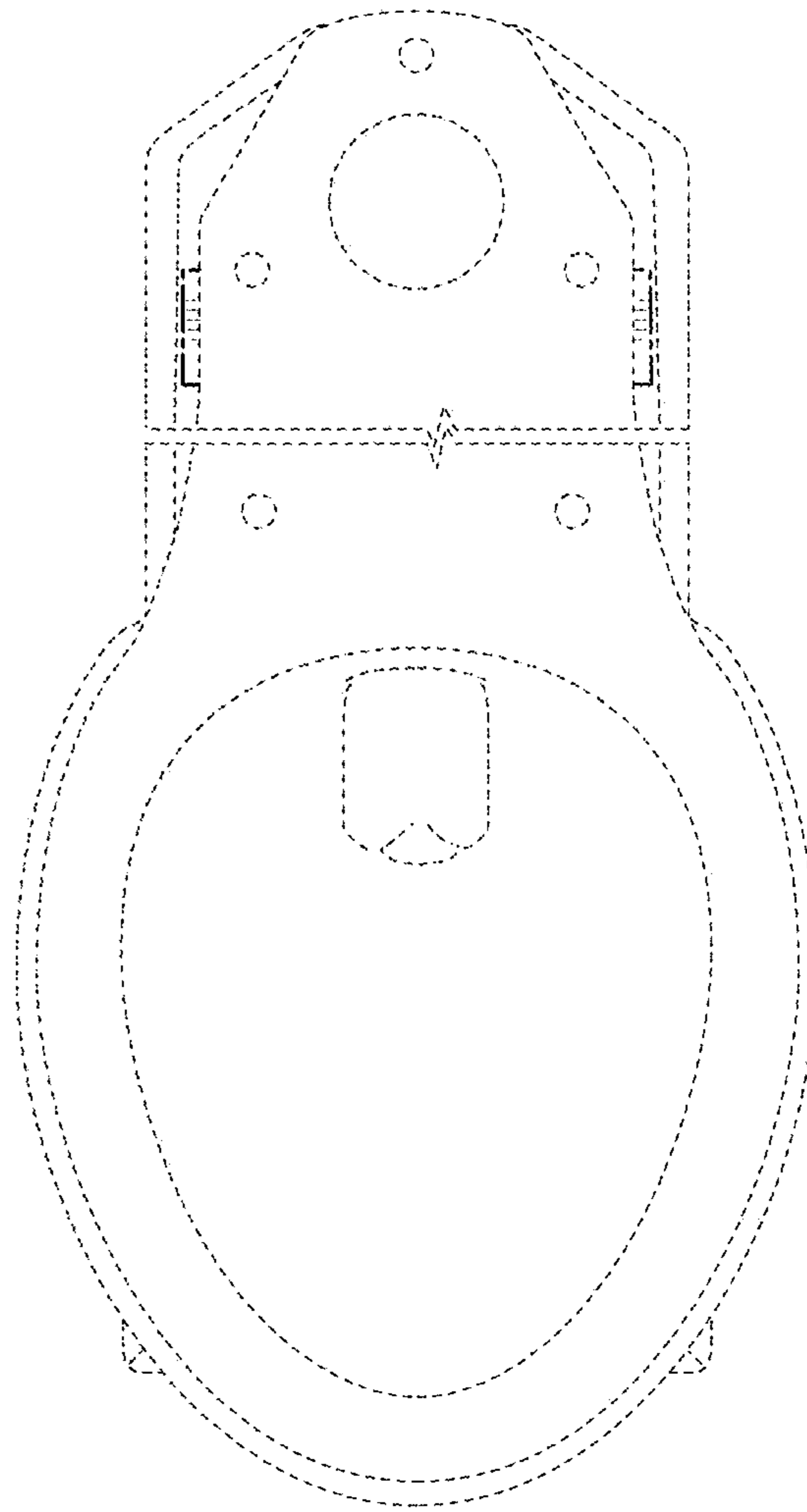
FIG. 3



**FIG. 4**



**FIG. 5**



**FIG. 6**



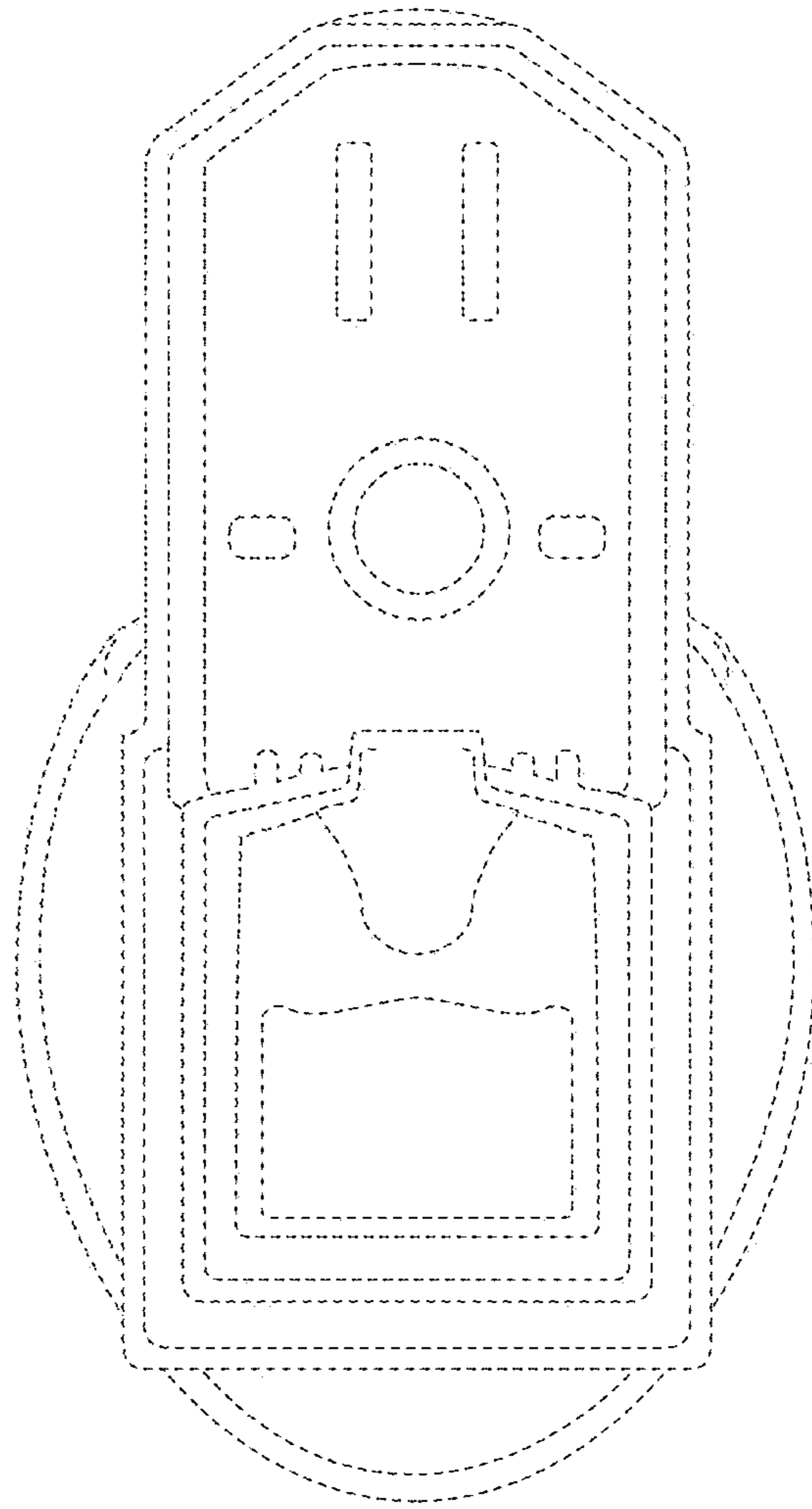


FIG. 7