



US00D762826S

(12) **United States Design Patent**
Plackner et al.

(10) **Patent No.:** **US D762,826 S**

(45) **Date of Patent:** **** Aug. 2, 2016**

- (54) **FLUID COUPLING**
- (71) Applicant: **Colder Products Company**, St. Paul, MN (US)
- (72) Inventors: **Blair Douglas Plackner**, Pine Island, MN (US); **Haixiao Si**, Jiangsu Province (CN); **David John Vranish**, New Hope, MN (US); **Xin Zhang**, Jiangsu Province (CN)
- (73) Assignee: **Colder Products Company**, St. Paul, MN (US)
- (**) Term: **14 Years**
- (21) Appl. No.: **29/519,883**

4,048,996	A *	9/1977	Mittleman	A61M 39/04 604/86
D276,369	S *	11/1984	Clawson	D24/129
D276,465	S *	11/1984	Clawson	D24/129
4,900,065	A *	2/1990	Houck	F16L 37/098 285/124.4
D318,718	S *	7/1991	Blatt	D13/133
D320,065	S *	9/1991	Chou	D23/262
D369,664	S *	5/1996	Dye	D23/260
D487,147	S *	2/2004	Ellingboe	D24/129
D492,773	S *	7/2004	Ellingboe	D24/129
D518,876	S *	4/2006	Park	D23/233
D590,499	S *	4/2009	Chesnin	D24/129
D639,398	S *	6/2011	Wilhelm	D23/262
D648,835	S *	11/2011	Ruot	D23/259
D649,240	S *	11/2011	Lewis	D24/129
D650,478	S *	12/2011	Lewis	D24/129
D662,572	S *	6/2012	Marquis-Martin	D23/259
D681,784	S *	5/2013	Liljegren	D23/262
D685,906	S *	7/2013	Dale	D24/129

(Continued)

- (22) Filed: **Mar. 9, 2015**
- (51) **LOC (10) Cl.** **23-01**
- (52) **U.S. Cl.**
USPC **D23/262**
- (58) **Field of Classification Search**
USPC D23/259, 260, 262, 264, 266, 233-237,
D23/241, 421; D24/129
CPC F16L 45/00; F16L 5/00; F16L 55/105;
F16L 55/1007; B60P 3/20; E03C 1/122;
H02G 3/0616; H02G 9/06; G05D 13/00;
E03B 9/02; E03B 9/04; F16K 11/0655;
F16K 27/003; F16K 1/305
See application file for complete search history.

(56) **References Cited**
U.S. PATENT DOCUMENTS

657,562	A *	9/1900	Neumyer et al.	E03C 1/042 37/295
D34,035	S *	2/1901	Koelkebeck et al.	D23/233
D216,790	S *	3/1970	Woodford et al.	D23/234
D216,791	S *	3/1970	Woodford et al.	D23/234
D228,554	S *	10/1973	Magorien et al.	D23/263
D239,031	S *	3/1976	Madlem et al.	D13/155

OTHER PUBLICATIONS

Colder Products Company, Excerpt from Quick Couplings & Fittings for Plastic Tubing, Copyright 2010, 11 pages.

Primary Examiner — John Windmuller

Assistant Examiner — Steven Czyz

(74) *Attorney, Agent, or Firm* — Merchant & Gould P.C.

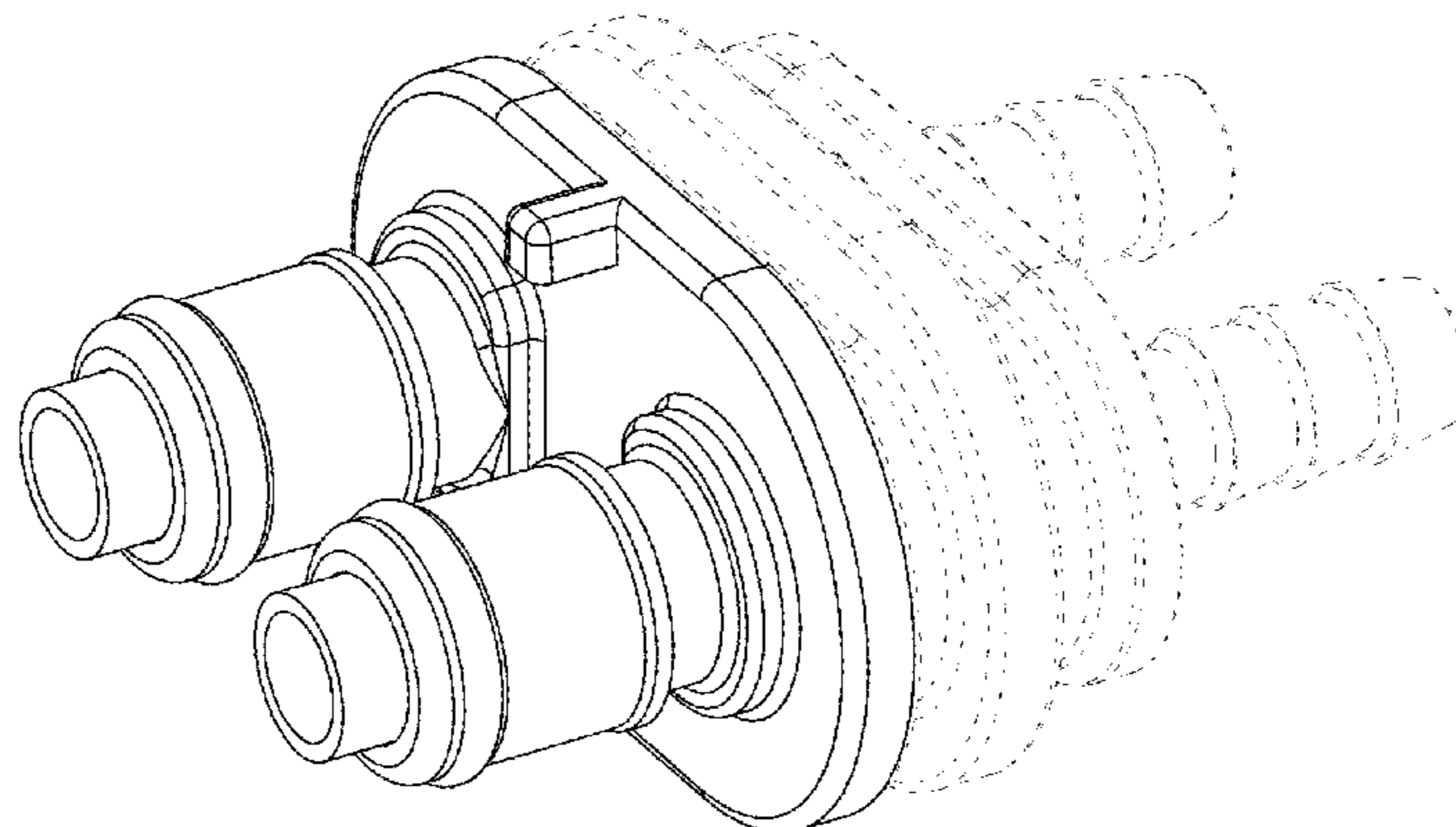
(57) **CLAIM**

The ornamental design for a fluid coupling, as shown and described.

DESCRIPTION

FIG. 1 is perspective view of the fluid coupling.
FIG. 2 is a top view of the fluid coupling.
FIG. 3 is a side view of the fluid coupling.
FIG. 4 is a first end view of the fluid coupling; and,
FIG. 5 is a second end view of the fluid coupling.
The broken lines depict portions of the article that form no part of the claimed design.

1 Claim, 2 Drawing Sheets



US D762,826 S

Page 2

(56)

References Cited

2015/0000767 A1* 1/2015 Ball E03B 9/025
137/382

U.S. PATENT DOCUMENTS

2006/0086921 A1* 4/2006 Ball E03B 9/025
251/148

* cited by examiner

FIG. 1

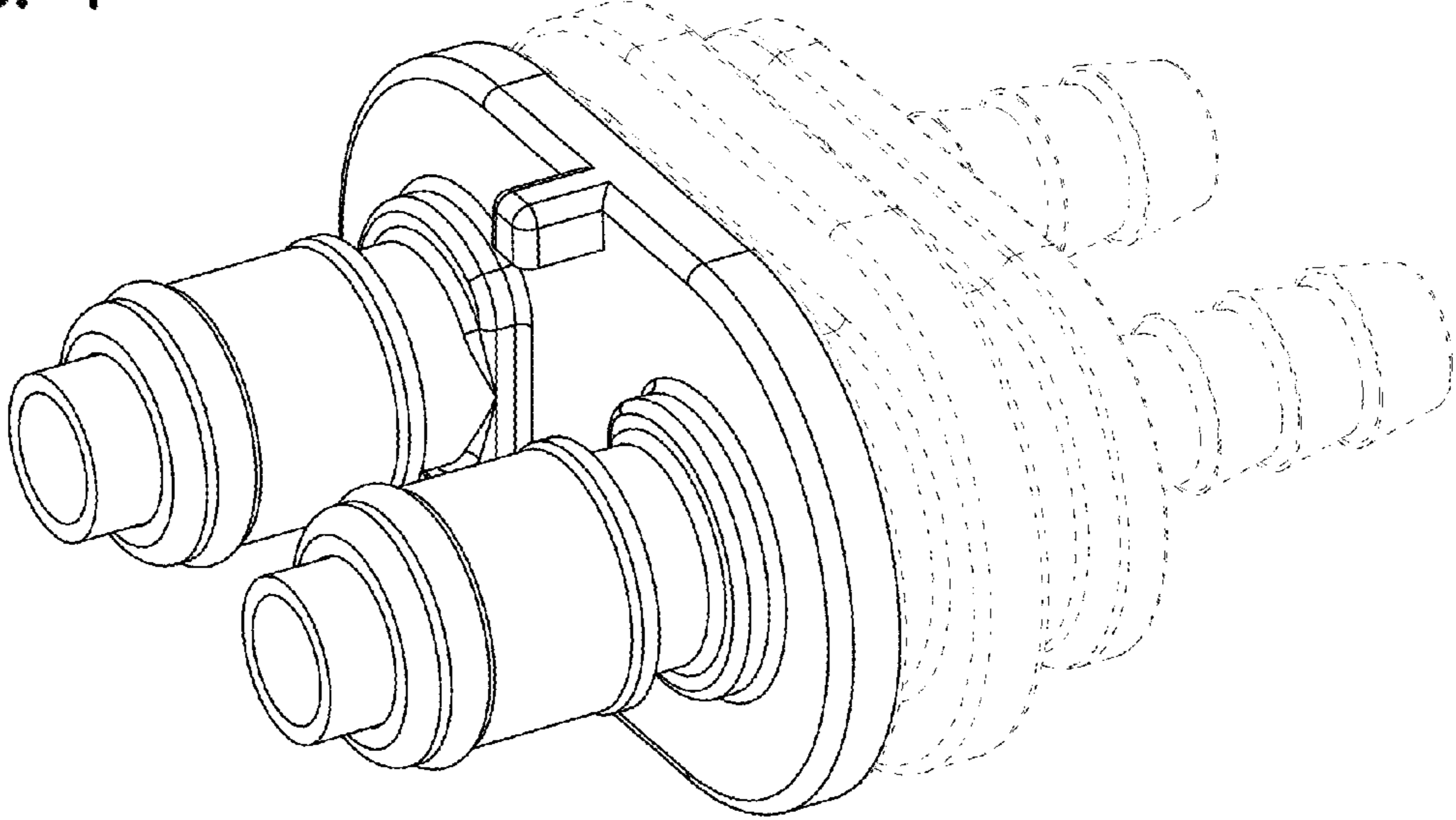


FIG. 2

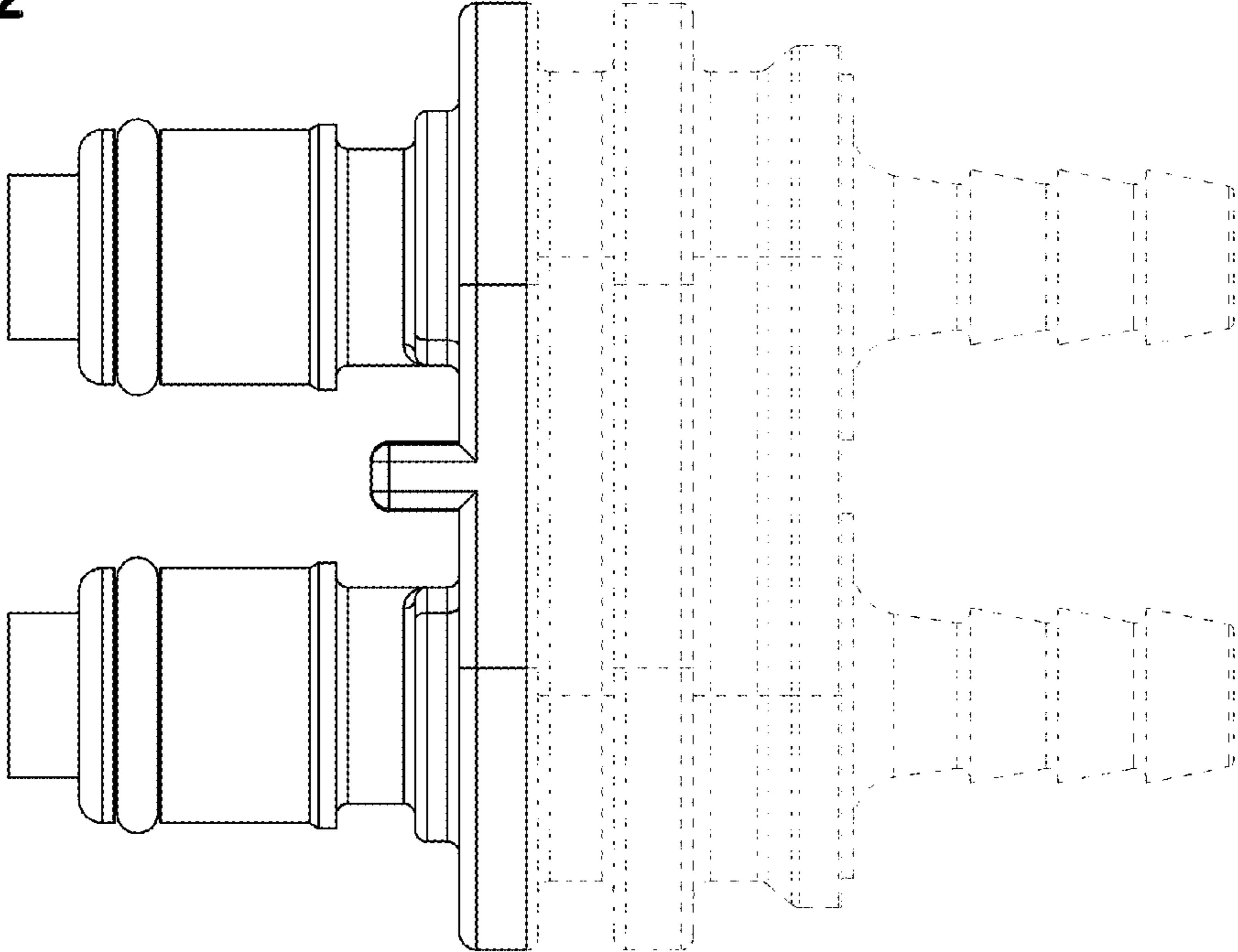


FIG. 3

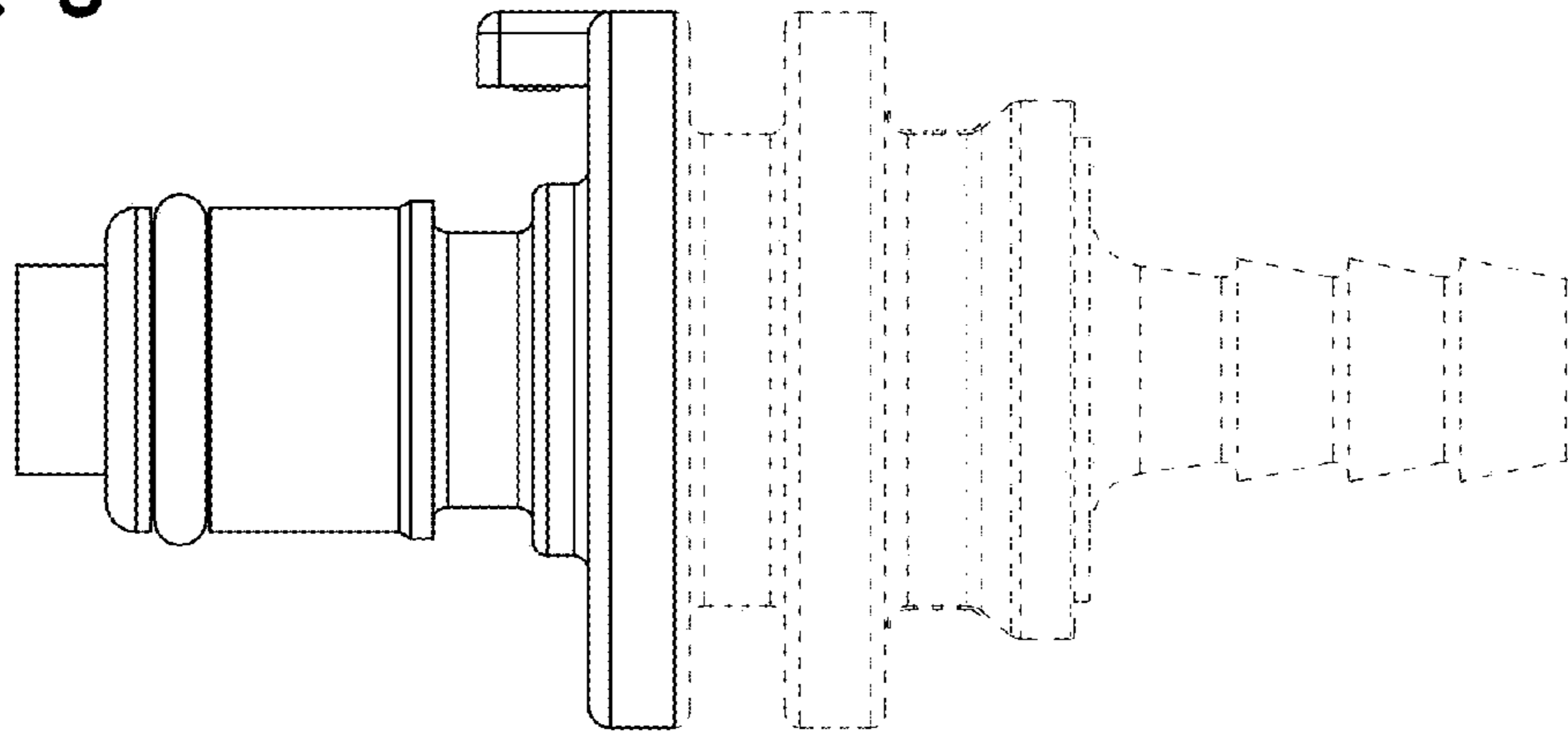


FIG. 4

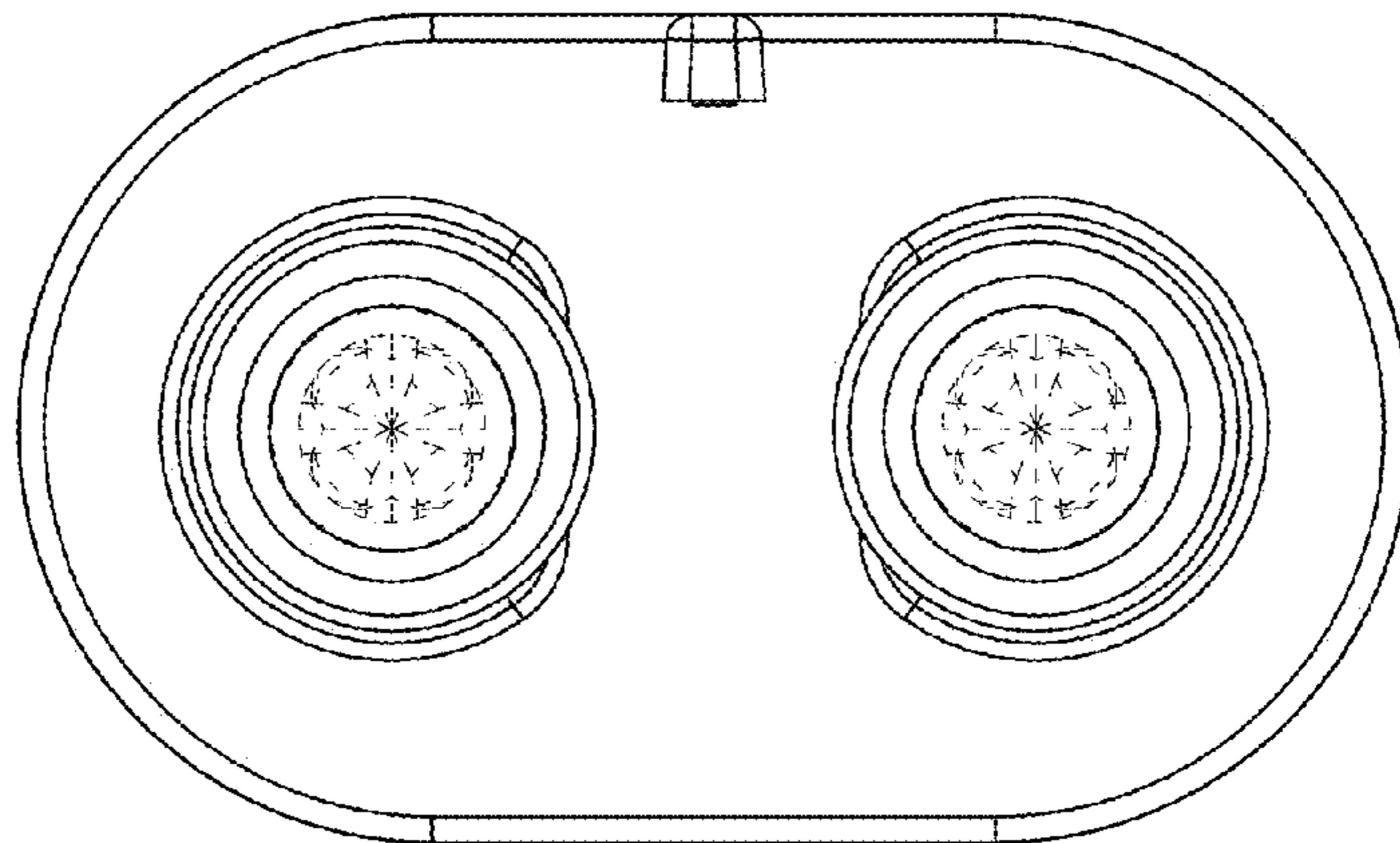


FIG. 5

