



US00D762824S

(12) **United States Design Patent**  
**Ball et al.**

(10) **Patent No.:** **US D762,824 S**  
(45) **Date of Patent:** **\*\* Aug. 2, 2016**

- (54) **HYDRANT ENCLOSURE**
- (71) Applicant: **WCM Industries, Inc.**, Colorado Springs, CO (US)
- (72) Inventors: **William T. Ball**, Colorado Springs, CO (US); **Eric Pilarczyk**, Colorado Springs, CO (US)
- (73) Assignee: **WCM Industries, Inc.**, Colorado Springs, CO (US)

D614,736	S	*	4/2010	Freiler	.....	D23/260
8,042,565	B2		10/2011	Ball et al.		
D656,223	S	*	3/2012	Cronje	.....	D23/233
8,353,309	B1	*	1/2013	Embry	.....	A62C 35/20 137/382
D680,621	S	*	4/2013	Foster	.....	D23/233
D681,784	S	*	5/2013	Liljegren	.....	D23/262
D715,405	S	*	10/2014	McAlpine	.....	D23/233
D720,046	S	*	12/2014	Morodomi	.....	D23/233
D721,787	S	*	1/2015	Yoshimura	.....	D23/233
D721,788	S	*	1/2015	Pifer	.....	D23/233
D722,674	S	*	2/2015	Lipkens	.....	D23/207
D722,676	S	*	2/2015	Gaertner	.....	D23/233

(\*\*) Term: **14 Years**

(Continued)

(21) Appl. No.: **29/519,956**

(22) Filed: **Mar. 9, 2015**

(51) **LOC (10) Cl.** ..... **23-01**

(52) **U.S. Cl.**  
USPC ..... **D23/259**

(58) **Field of Classification Search**  
USPC ..... D23/259, 233-237, 249, 260-263, 265, D23/266, 499; D24/129  
CPC ..... E03B 9/02; F16K 27/12; F16K 35/10; F16K 27/067; F16K 1/00; E03D 11/16; F16L 27/04; F16L 39/00; F16L 33/225; F16L 23/18; E21B 33/047

See application file for complete search history.

(56) **References Cited**

**U.S. PATENT DOCUMENTS**

D180,010	S	*	4/1957	Britton et al.	.....	D23/235
D216,791	S	*	3/1970	Woodford et al.	.....	D23/234
D228,554	S	*	10/1973	Magorien et al.	.....	D23/263
D245,255	S	*	8/1977	Porter	.....	D23/260
D275,616	S	*	9/1984	Gray	.....	D10/84
D283,204	S	*	4/1986	McDonald	.....	D10/96
D285,824	S	*	9/1986	Anderson	.....	D23/214
D318,718	S	*	7/1991	Blatt	.....	D13/133
5,964,246	A	*	10/1999	Meeker	.....	E03B 7/12 137/360
6,948,512	B2	*	9/2005	McKeague	.....	E03B 9/04 134/168 C
D612,465	S	*	3/2010	Salsler	.....	D23/266

**OTHER PUBLICATIONS**

Notice of Allowance for U.S. Appl. No. 29/514,306, mailed Apr. 24, 2015 10 pages.

(Continued)

*Primary Examiner* — John Windmuller  
*Assistant Examiner* — Steven Czyz  
(74) *Attorney, Agent, or Firm* — Sheridan Ross P.C.

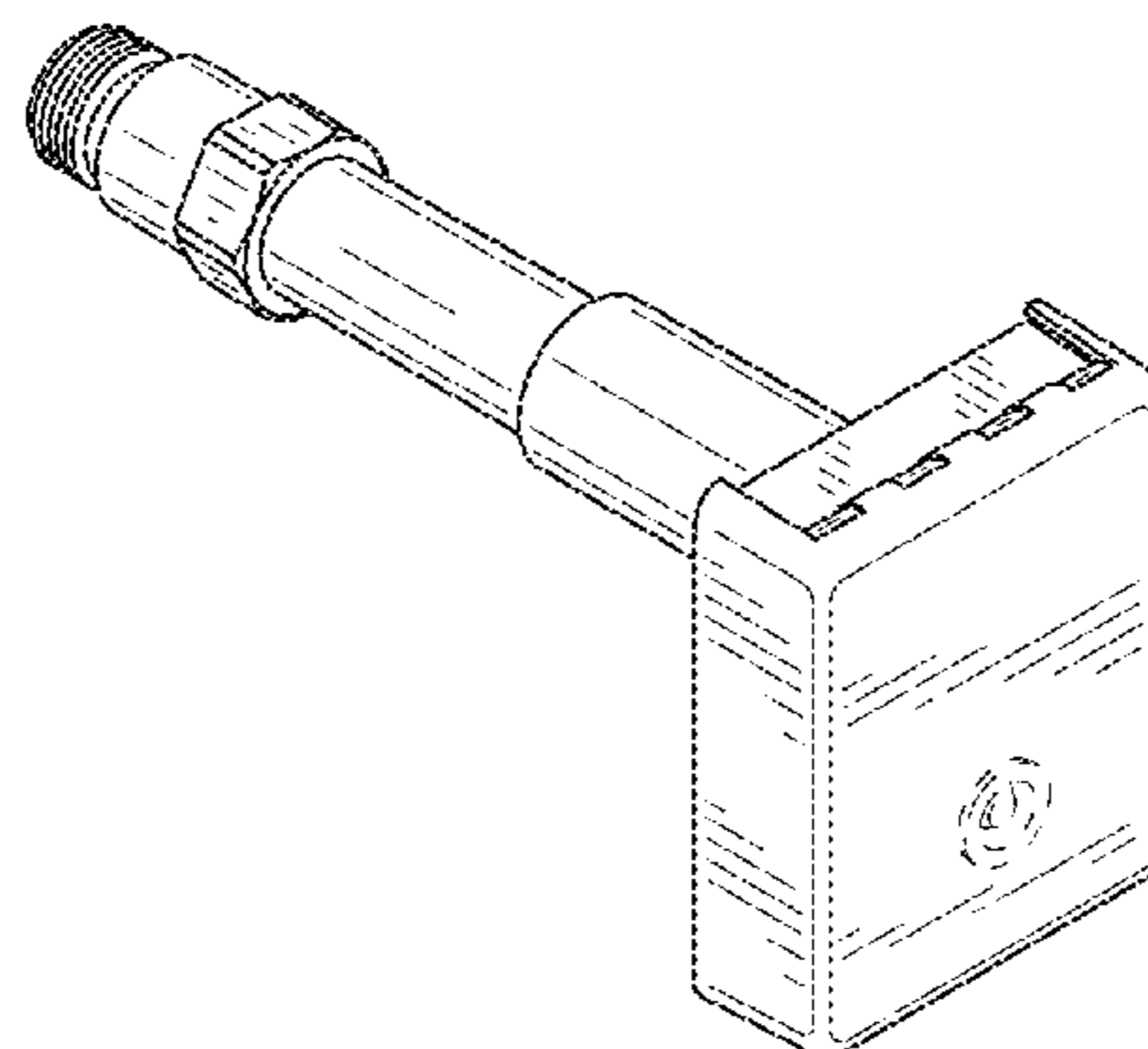
(57) **CLAIM**

The ornamental design for a hydrant enclosure, as shown and described.

**DESCRIPTION**

FIG. 1 is a perspective view of the hydrant enclosure showing the new design;  
FIG. 2 is a front elevation view thereof;  
FIG. 3 is a rear elevation view thereof;  
FIG. 4 is a right elevation view thereof;  
FIG. 5 is a left elevation view thereof;  
FIG. 6 is a top plan view thereof;  
FIG. 7 is a bottom plan view thereof; and,  
FIG. 8 is a perspective view thereof, wherein a door of the enclosure is shown in an open position.  
The broken lines depict portions of the article that form no part of the claimed design.

**1 Claim, 6 Drawing Sheets**



(56)

**References Cited**

U.S. PATENT DOCUMENTS

8,973,599	B2	3/2015	Stanaland	
D729,352	S *	5/2015	Ball .....	D23/259
D729,353	S *	5/2015	Ball .....	D23/259
D733,844	S *	7/2015	Ball .....	D23/259
D733,845	S *	7/2015	Ball .....	D23/259
D737,942	S *	9/2015	Ball .....	D23/259
2004/0000337	A1 *	1/2004	Cooper .....	A62C 37/50 137/377
2006/0086921	A1 *	4/2006	Ball .....	E03B 9/025 251/148
2011/0062834	A1 *	3/2011	Ball .....	A62C 35/20 312/215
2014/0202558	A1 *	7/2014	Chou .....	F16K 27/12 137/377
2015/0000767	A1 *	1/2015	Ball .....	E03B 9/025 137/382
2015/0240460	A1	8/2015	Ball et al.	

OTHER PUBLICATIONS

Notice of Allowance for U.S. Appl. No. 29/514,307, mailed May 7, 2015 7 pages.

Notice of Allowance for U.S. Appl. No. 29/514,308, mailed Jul. 7, 2015 7 pages.

U.S. Appl. No. 29/529,465, filed Jun. 8, 2015, Ball et al.

U.S. Appl. No. 29/503,651, filed Sep. 29, 2014, Ball et al.

U.S. Appl. No. 29/503,653, filed Sep. 29, 2014, Ball et al.

Notice of Allowance for U.S. Appl. No. 29/503,651, mailed Mar. 3, 2015, 10 pages.

Notice of Allowance for U.S. Appl. No. 29/503,653, mailed Mar. 4, 2015, 10 pages.

Official Action for U.S. Appl. No. 29/514,306, mailed Mar. 4, 2015, 9 pages.

Official Action for U.S. Appl. No. 29/514,307, mailed Mar. 11, 2015, 7 pages.

Official Action for U.S. Appl. No. 29/514,308, mailed Mar. 11, 2015, 7 pages.

U.S. Appl. No. 29/514,306, filed Jan. 10, 2015, Ball et al.

U.S. Appl. No. 29/514,307, filed Jan. 10, 2015, Ball et al.

U.S. Appl. No. 29/514,308, filed Jan. 10, 2015, Ball et al.

U.S. Appl. No. 29/519,131, filed Mar. 2, 2015, Ball et al.

U.S. Appl. No. 29/519,957, filed Mar. 9, 2015, Ball et al.

\* cited by examiner

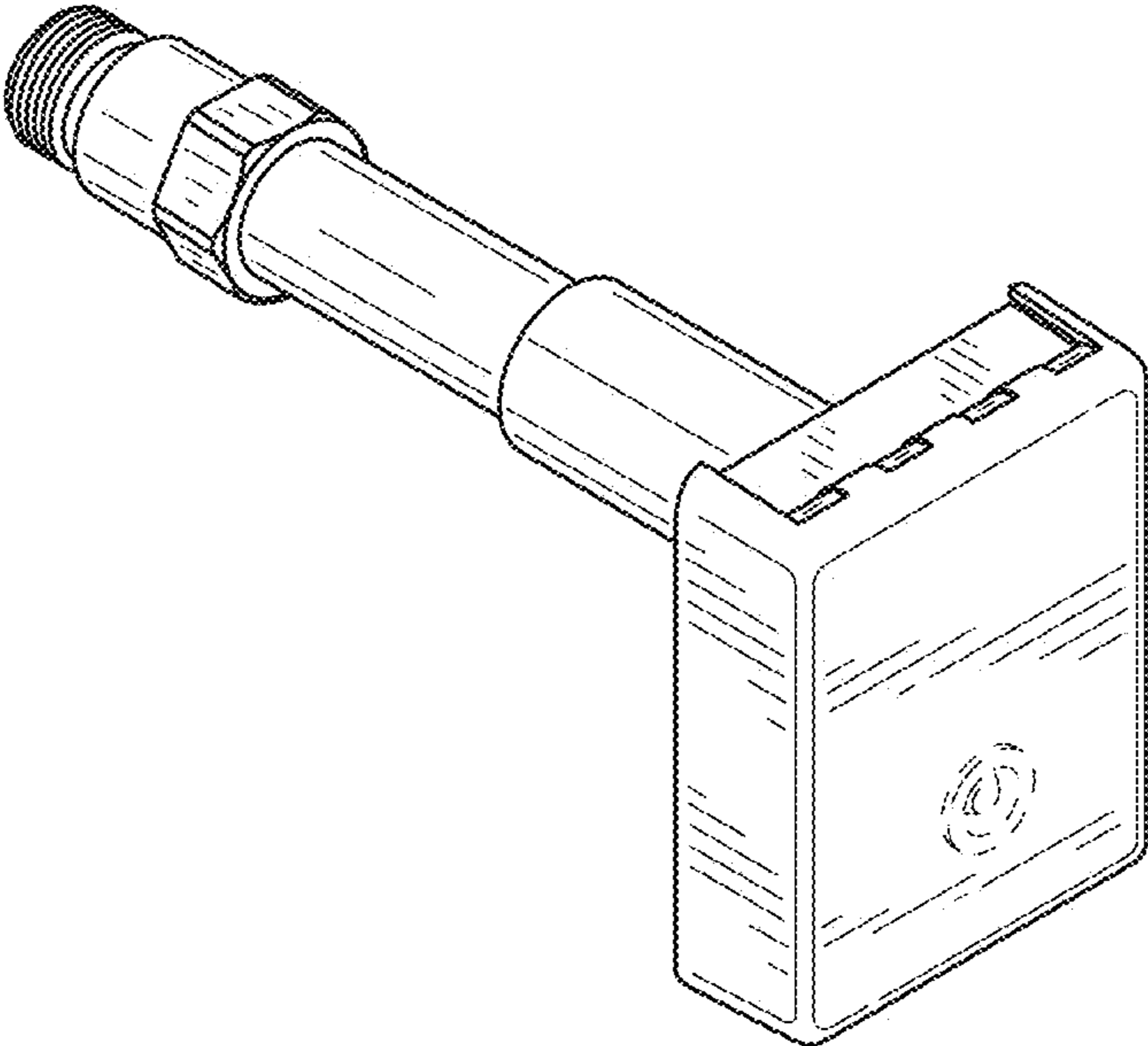


FIG. 1

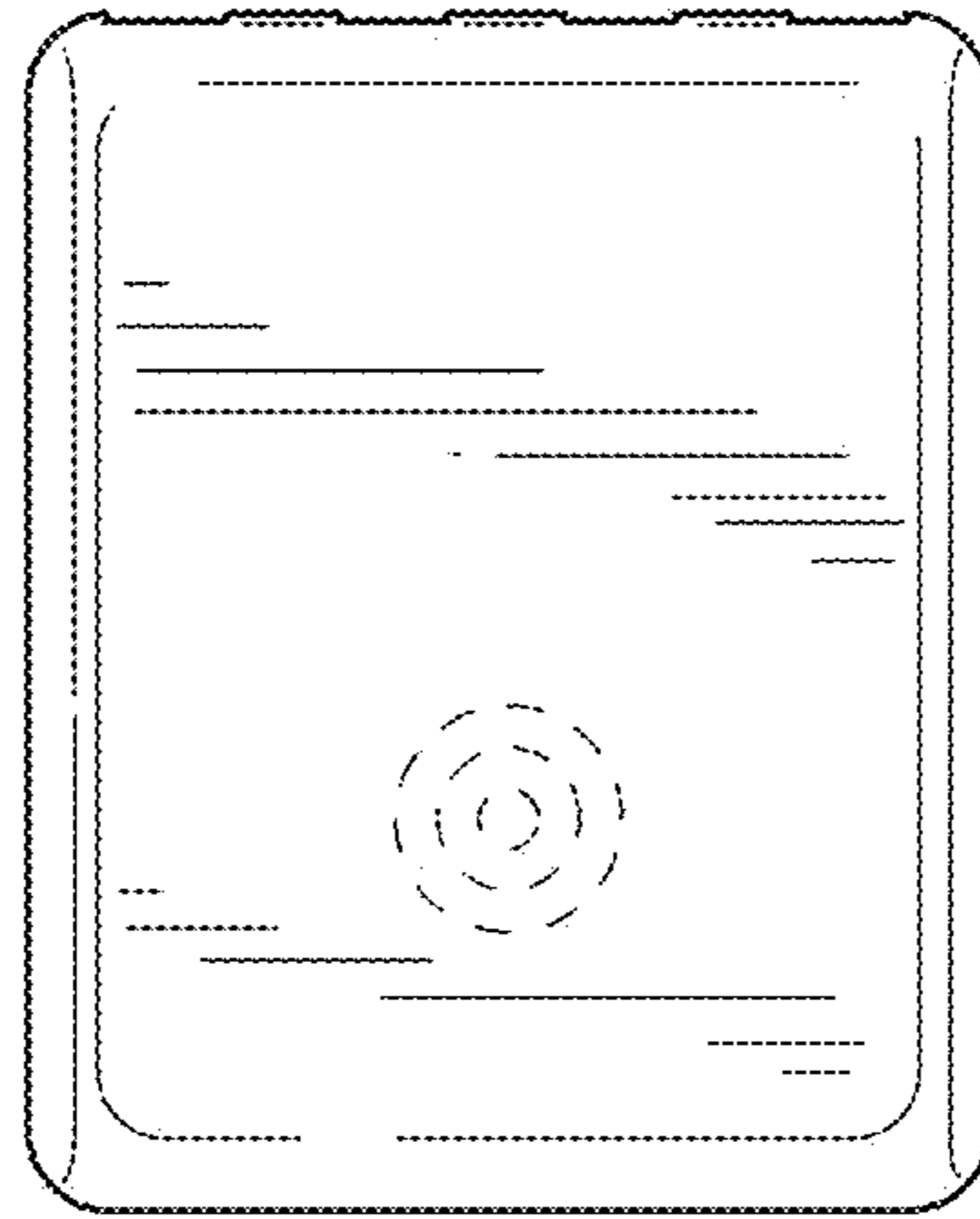


FIG. 2

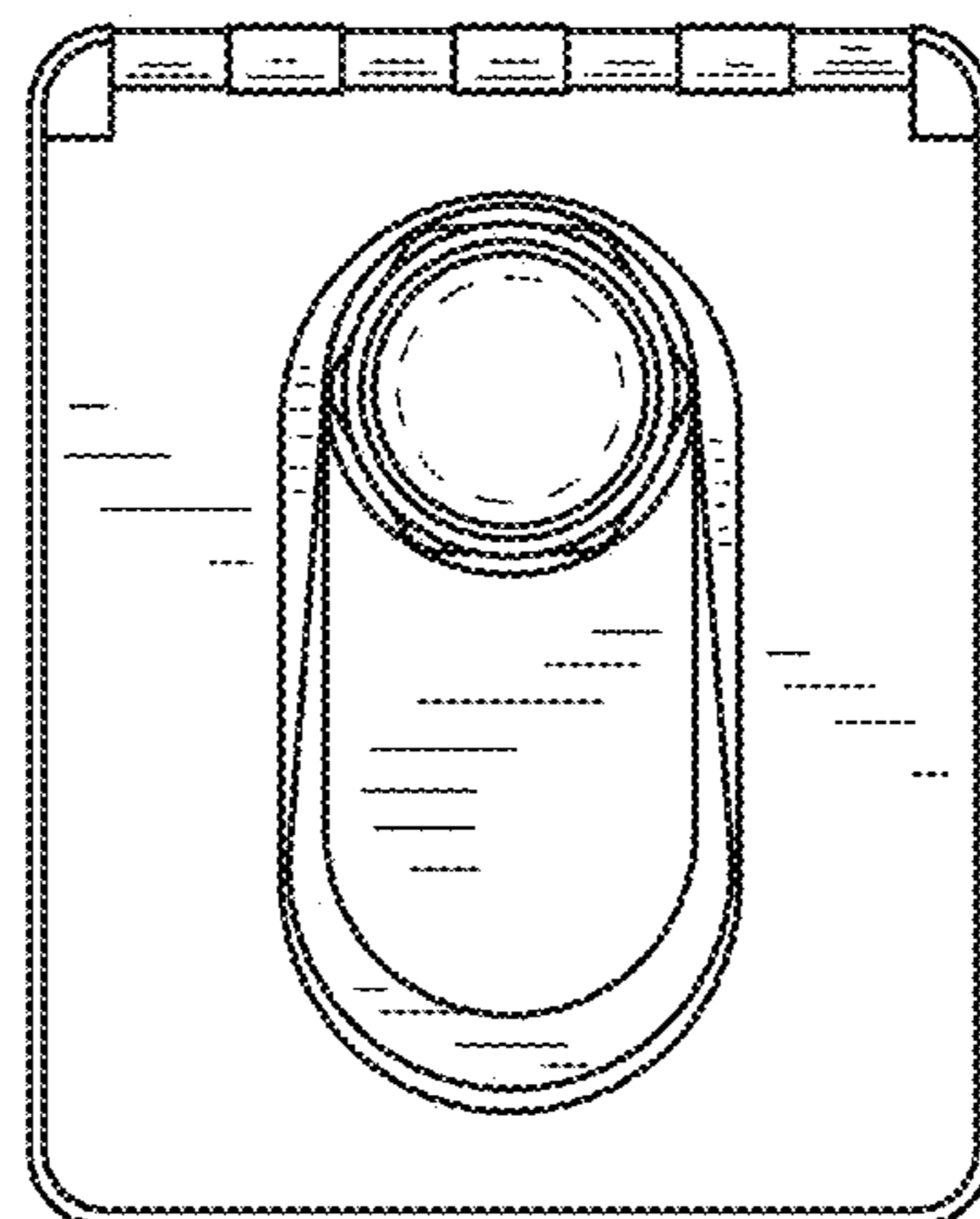


FIG. 3

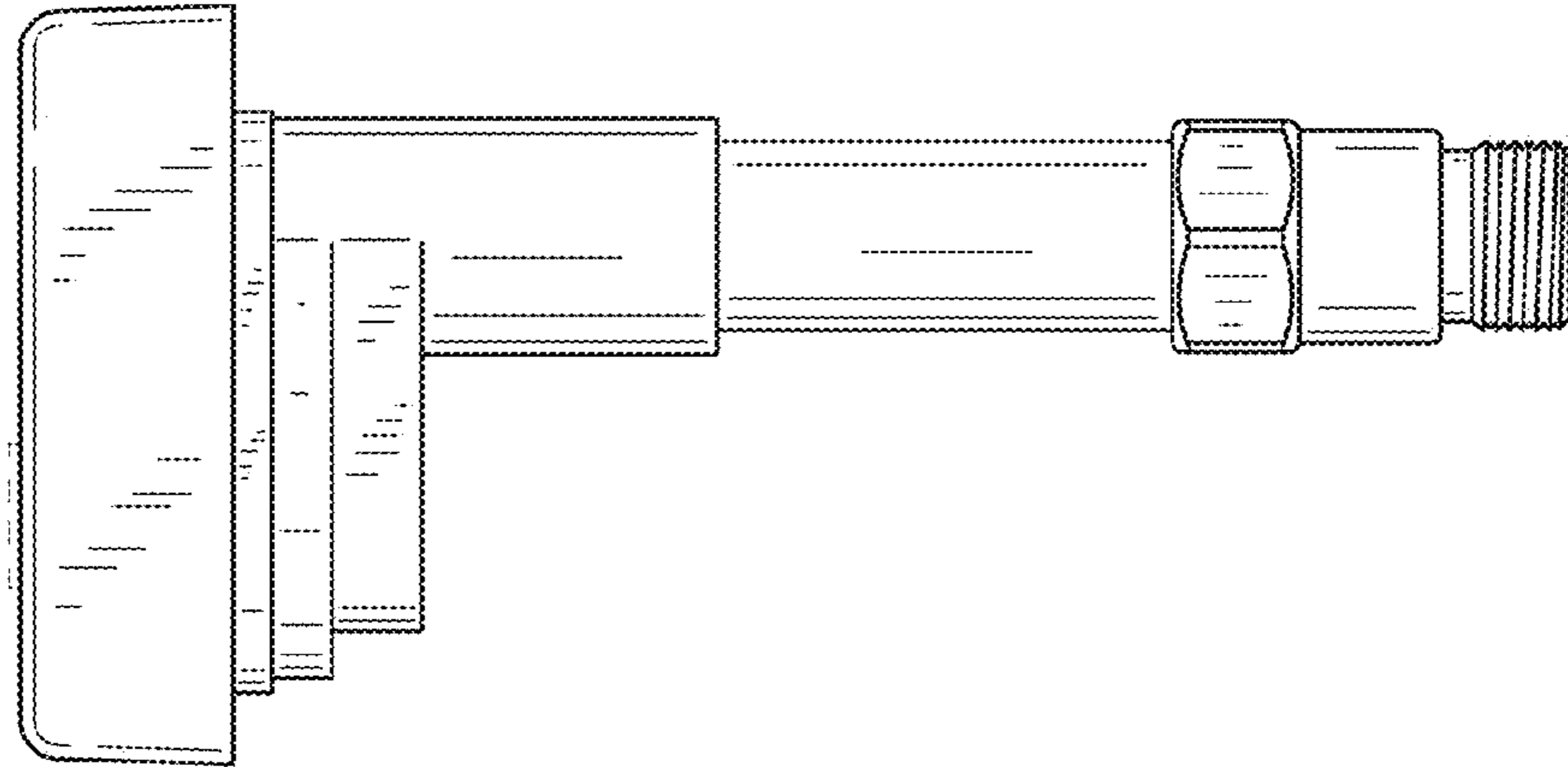


FIG.4

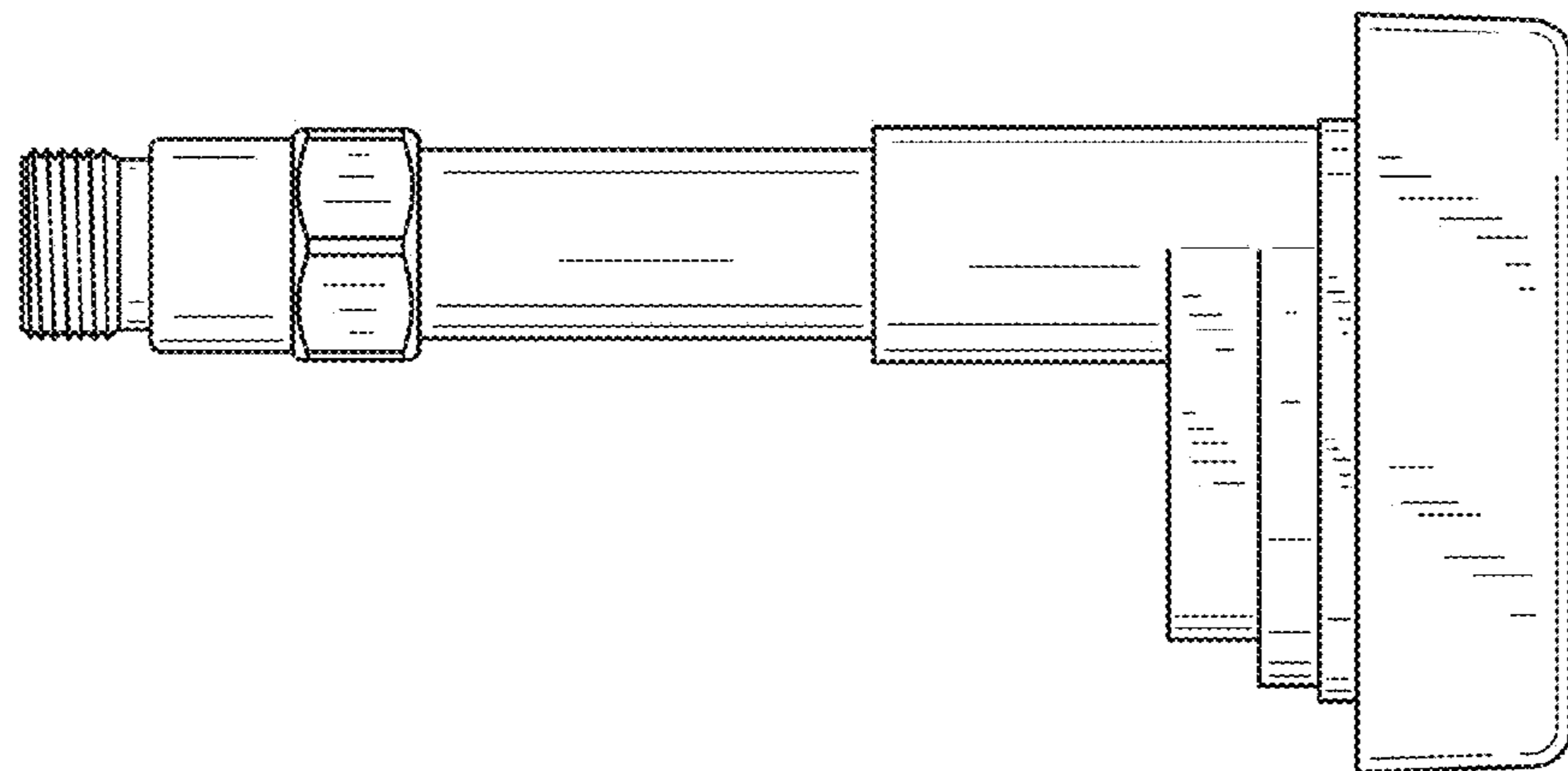


FIG.5



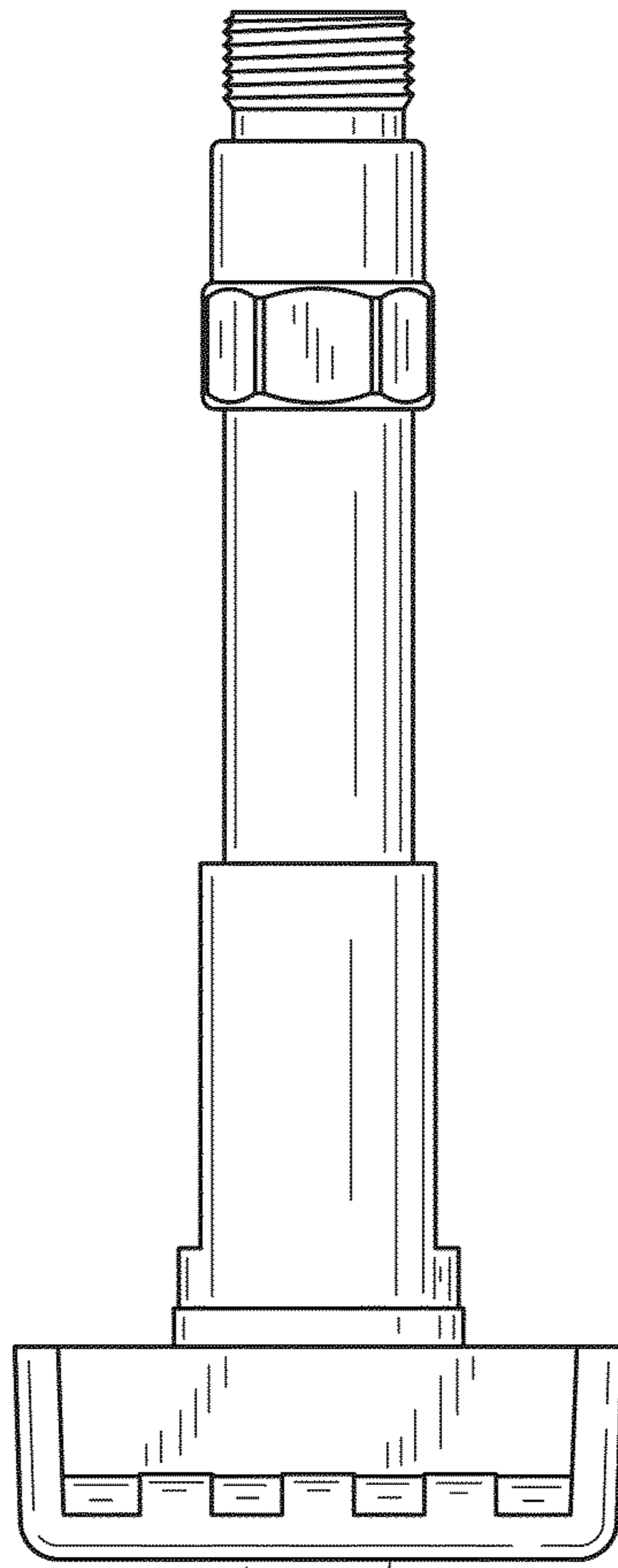


FIG.6

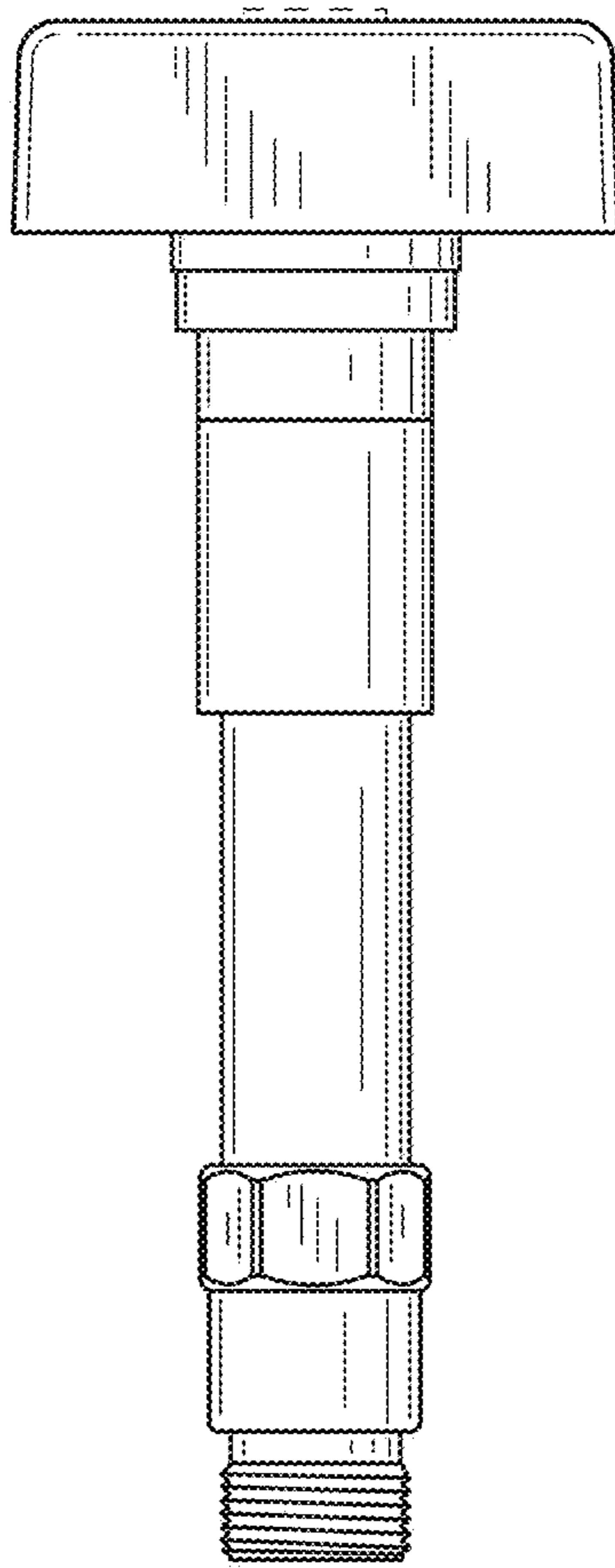


FIG.7

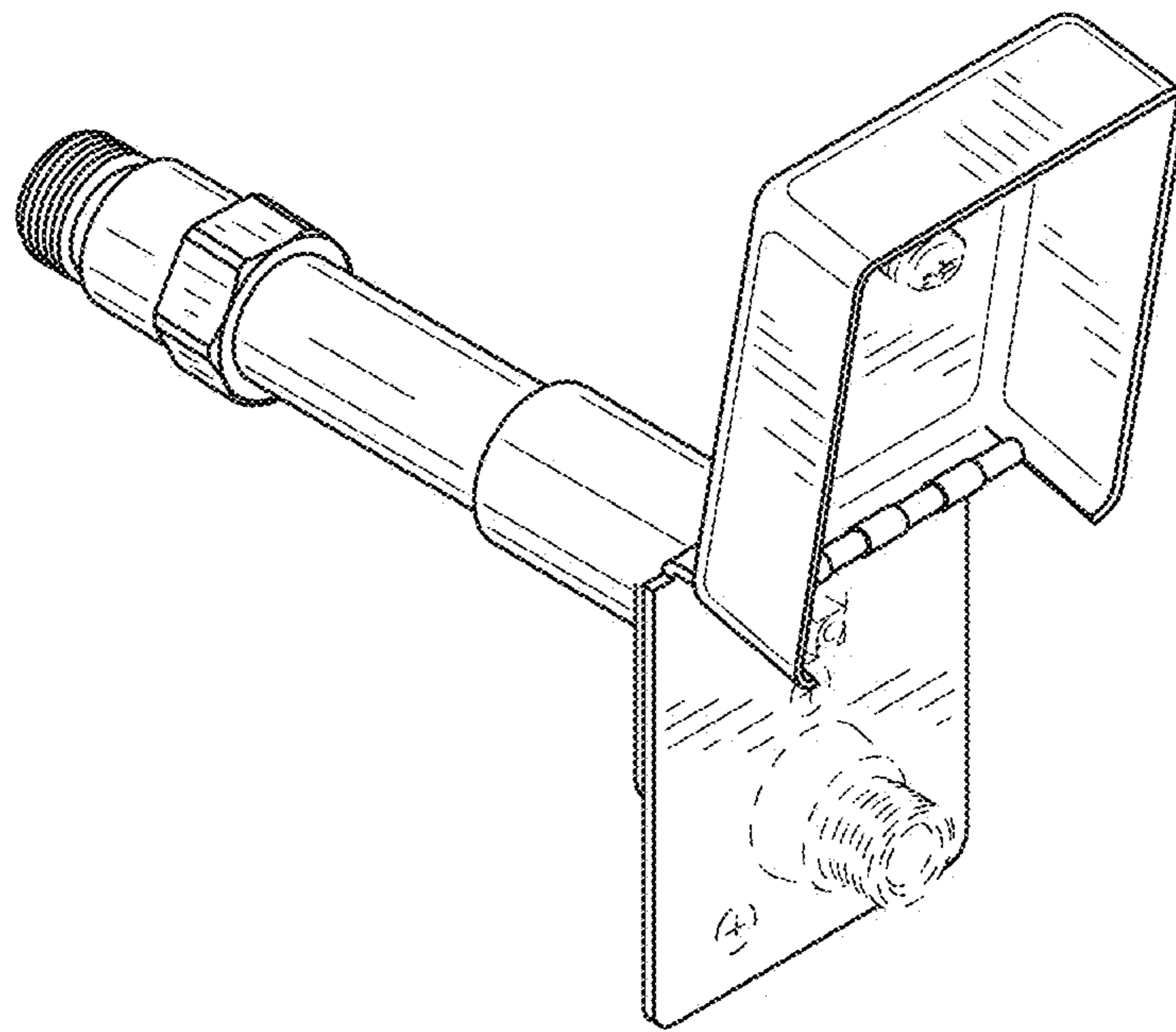


FIG.8